



US00D572718S

(12) **United States Design Patent**  
**Kaminaga**

(10) **Patent No.:** **US D572,718 S**  
(45) **Date of Patent:** **\*\* Jul. 8, 2008**

(54) **IMAGE FOR A DIGITAL CAMERA**

(75) Inventor: **Tomomi Kaminaga**, Hachioji (JP)

(73) Assignee: **Olympus Corporation**, Tokyo (JP)

(\*\*) Term: **14 Years**

(21) Appl. No.: **29/278,000**

(22) Filed: **Mar. 15, 2007**

**Related U.S. Application Data**

(62) Division of application No. 29/215,709, filed on Oct. 22, 2004, now Pat. No. Des. 559,854.

**Foreign Application Priority Data**

Aug. 30, 2004 (JP) ..... 2004-026029  
Aug. 30, 2004 (JP) ..... 2004-026030  
Aug. 30, 2004 (JP) ..... 2004-026031  
Aug. 30, 2004 (JP) ..... 2004-026032

(51) **LOC (8) Cl.** ..... **14-04**

(52) **U.S. Cl.** ..... **D14/486**

(58) **Field of Classification Search** ..... D14/485-95;  
D18/24-33; D19/6; D20/11; D21/324-33;  
715/700-867, 973-77

See application file for complete search history.

(56) **References Cited**

**U.S. PATENT DOCUMENTS**

D418,826 S \* 1/2000 Pavely et al. .... D14/486

D420,340 S \* 2/2000 Bailer et al. .... D14/486  
D437,601 S \* 2/2001 Utsuki et al. .... D14/486  
D444,793 S \* 7/2001 Richter ..... D14/486  
D469,105 S \* 1/2003 Hammerquist et al. .... D14/486  
D470,857 S \* 2/2003 Anderson et al. .... D14/485  
D474,778 S \* 5/2003 Barnes ..... D14/486  
D478,595 S \* 8/2003 Istvan et al. .... D14/486  
D486,834 S \* 2/2004 Allen et al. .... D14/486  
D495,715 S \* 9/2004 Gildred ..... D14/486  
D506,474 S \* 6/2005 Gildred ..... D14/486  
D509,831 S \* 9/2005 Mitani et al. .... D14/486  
D523,440 S \* 6/2006 Hernandez et al. .... D14/486  
D525,982 S \* 8/2006 Suzuki ..... D14/486  
D528,557 S \* 9/2006 Aoki ..... D14/486  
D541,291 S \* 4/2007 Zhou et al. .... D14/486

\* cited by examiner

*Primary Examiner*—Melanie H Tung

(74) *Attorney, Agent, or Firm*—Hogan & Hartson LLP

(57) **CLAIM**

The ornamental design for a image for a digital camera, as shown and described.

**DESCRIPTION**

FIG. 1 is a perspective view of an image for a digital camera; and,

FIG. 2 is a front view thereof.

The broken line drawings of the elements within the image and the digital camera, and the digital camera are for illustrative purposes only and form no part of the claimed design.

**1 Claim, 1 Drawing Sheet**

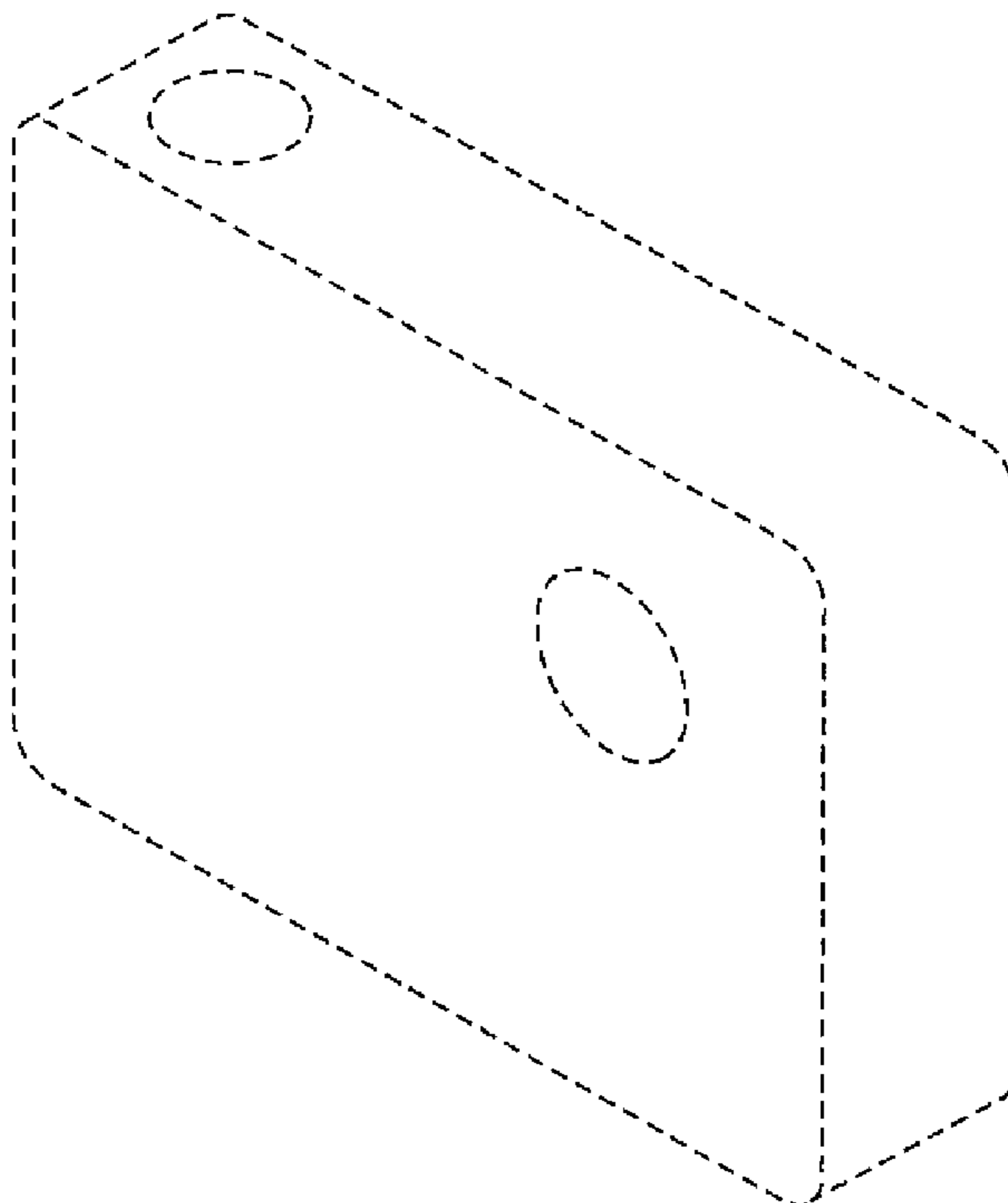


FIG.1

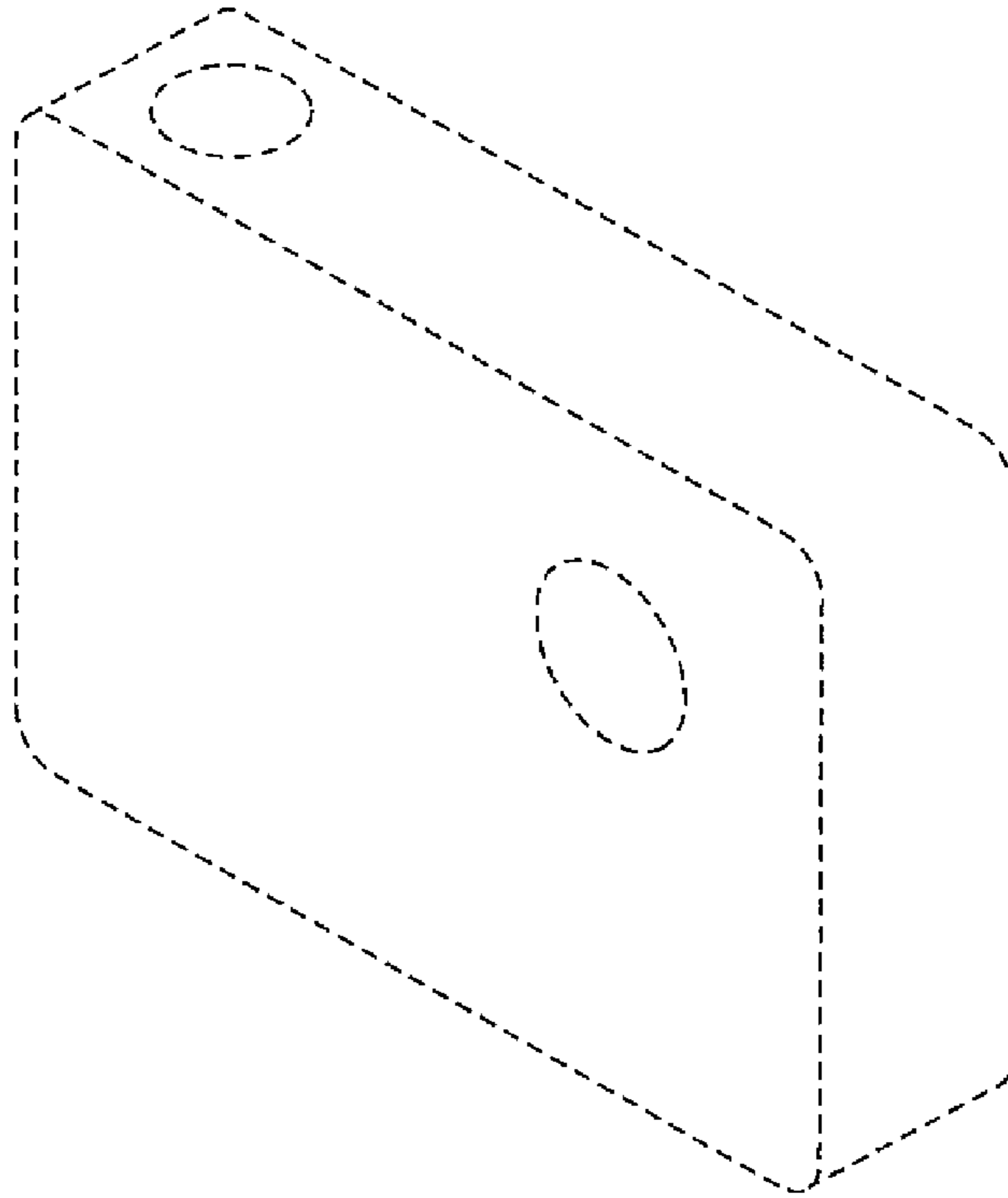


FIG.2

