



US00D572715S

(12) **United States Design Patent**
Gloscia et al.

(10) **Patent No.:** **US D572,715 S**
(45) **Date of Patent:** **** Jul. 8, 2008**

(54) **SET OF BUTTONS FOR A MOBILE COMPUTING DEVICE**

(75) Inventors: **Richard Gloscia**, Santa Clara, CA (US);
Chrome Cebe, San Jose, CA (US)

(73) Assignee: **Palm, Inc.**, Sunnyvale, CA (US)

(**) Term: **14 Years**

(21) Appl. No.: **29/277,684**

(22) Filed: **Mar. 6, 2007**

(51) **LOC (8) Cl.** **14-02**

(52) **U.S. Cl.** **D14/455; D14/247**

(58) **Field of Classification Search** D14/137,
D14/138, 147, 191, 218, 247–248, 341–347,
D14/455, 496; D10/65, 78, 104; D13/168;
D18/7; 455/556.1, 566, 575.1, 575.3; 345/169
See application file for complete search history.

(56) **References Cited**

U.S. PATENT DOCUMENTS

D277,252 S *	1/1985	Gulotta	D7/392
D410,468 S *	6/1999	Kazama	D14/218
D433,672 S *	11/2000	Kobayashi	D14/156
6,307,537 B1 *	10/2001	Oowada	345/160
D450,313 S *	11/2001	Koinuma	D14/218
D472,894 S *	4/2003	Kim et al.	D14/248
D488,468 S *	4/2004	Hu	D14/341

(Continued)

OTHER PUBLICATIONS

Nokia 6681, announced 1st quarter 2005, [online], [retrieved on Apr. 11, 2008]. Retrieved from Internet ,<URL: <http://www.gsmarena.com>>.*

Sony Ericsson K550im, announced Feb. 2007, [online], [retrieved on Apr. 11, 2008]. Retrieved from Internet ,<URL: <http://www.gsmarena.com>>.*

Palm Treo 500v, announced Sep. 2007, [online], [retrieved on Apr. 11, 2008]. Retrieved from Internet ,21 URL: <http://www.gsmarena.com>>.*

Palm Centro, announced Feb. 2008, [online], [retrieved on Apr. 11, 2008]. Retrieved from Internet ,<URL: <http://www.gsmarena.com>>.*

Sagem my400V, announced Feb. 2007, [online], [retrieved on Apr. 11, 2008]. Retrieved from Internet ,<URL: <http://www.gsmarena.com>>.*

Primary Examiner—Jeffrey D. Asch
Assistant Examiner—Bridget L Eland

(74) *Attorney, Agent, or Firm*—Shemwell Mahamedi LLP

(57) **CLAIM**

The ornamental design for a set of buttons for a mobile computing device, as shown and described.

DESCRIPTION

FIG. 1 is a front view of a first embodiment of a set of buttons for a mobile computing device;

FIG. 2 is a first isometric view thereof;

FIG. 3 is a second isometric view thereof;

FIG. 4 is a front view of a second embodiment of a set of buttons for a mobile computing device;

FIG. 5 is a first isometric view thereof;

FIG. 6 is a second isometric view thereof;

FIG. 7 is a front view of a third embodiment of a set of buttons for a mobile computing device;

FIG. 8 is a first isometric view thereof;

FIG. 9 is a second isometric view thereof;

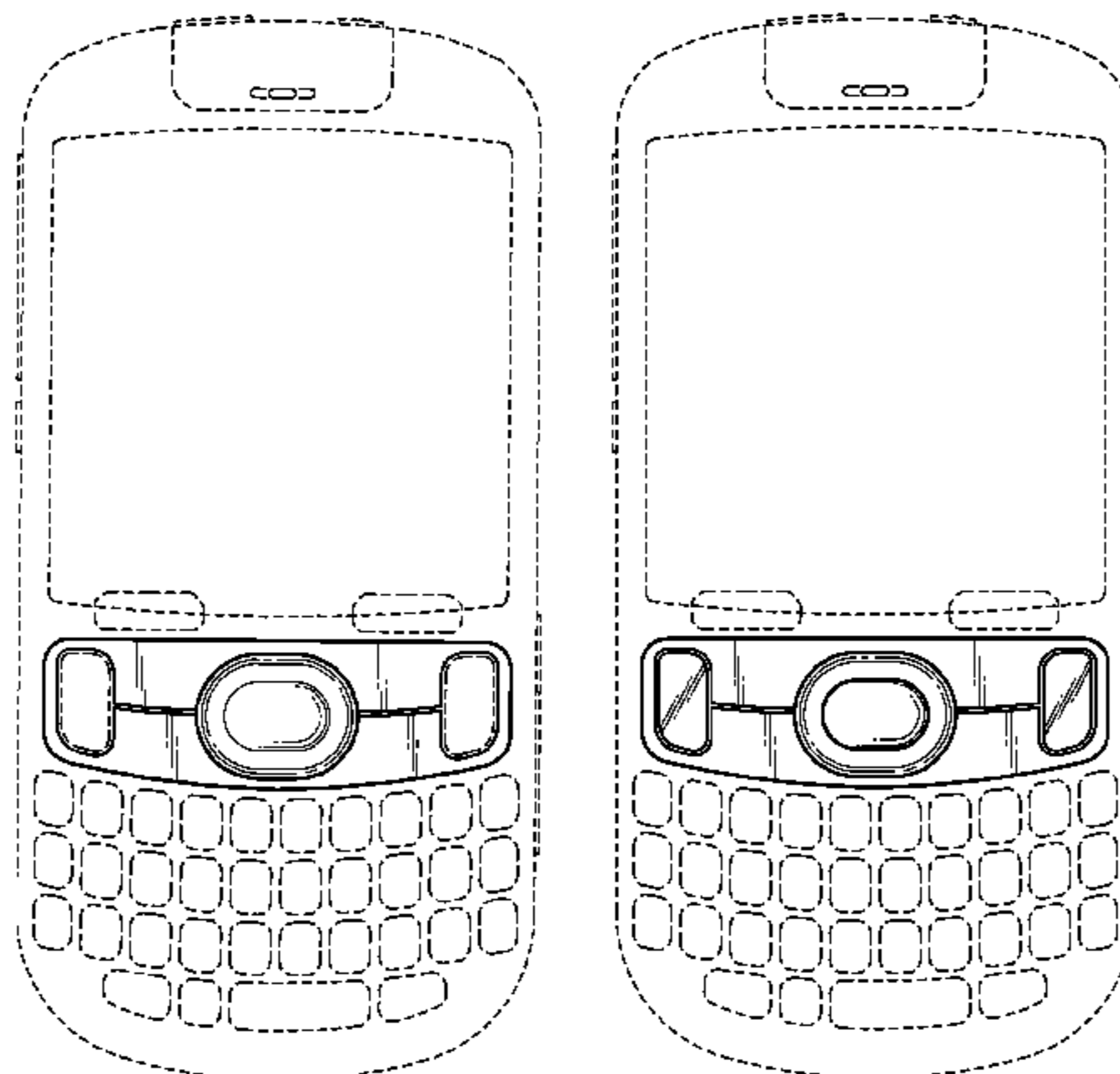
FIG. 10 is a front view of a fourth embodiment of a set of buttons for a mobile computing device;

FIG. 11 is a first isometric view thereof; and,

FIG. 12 is a second isometric view thereof.

The broken lines shown within the claimed areas represent the bounds of the claimed design while the other broken lines, showing the remainder of a mobile computing device, are directed to environment and are for illustrative purposes only; the broken lines form no part of the claimed design.

1 Claim, 12 Drawing Sheets



US D572,715 S

Page 2

U.S. PATENT DOCUMENTS

D493,451 S *	7/2004	Wada	D14/247	D539,306 S *	3/2007	Naruki	D14/496
D506,754 S *	6/2005	Schlieffers et al.	D14/346	D545,289 S *	6/2007	Wang	D14/138
D519,998 S *	5/2006	Park	D14/346	D548,218 S *	8/2007	Hong et al.	D14/138
D521,023 S *	5/2006	Kim et al.	D14/496	D550,641 S *	9/2007	Wang	D14/138
D528,532 S *	9/2006	Dimitriadis et al.	D14/138	D561,074 S *	2/2008	Montijo et al.	D12/176
D528,542 S *	9/2006	Luminosu et al.	D14/346	D563,378 S *	3/2008	Tseng et al.	D14/138
7,102,620 B2 *	9/2006	Harries et al.	345/169	D567,246 S *	4/2008	Lam et al.	D14/455
D529,488 S *	10/2006	Uchida	D14/248	2006/0205450 A1 *	9/2006	Amano et al.	455/575.4
D529,909 S *	10/2006	Daw et al.	D14/346	2007/0074957 A1 *	4/2007	Lam et al.	200/5 A

* cited by examiner

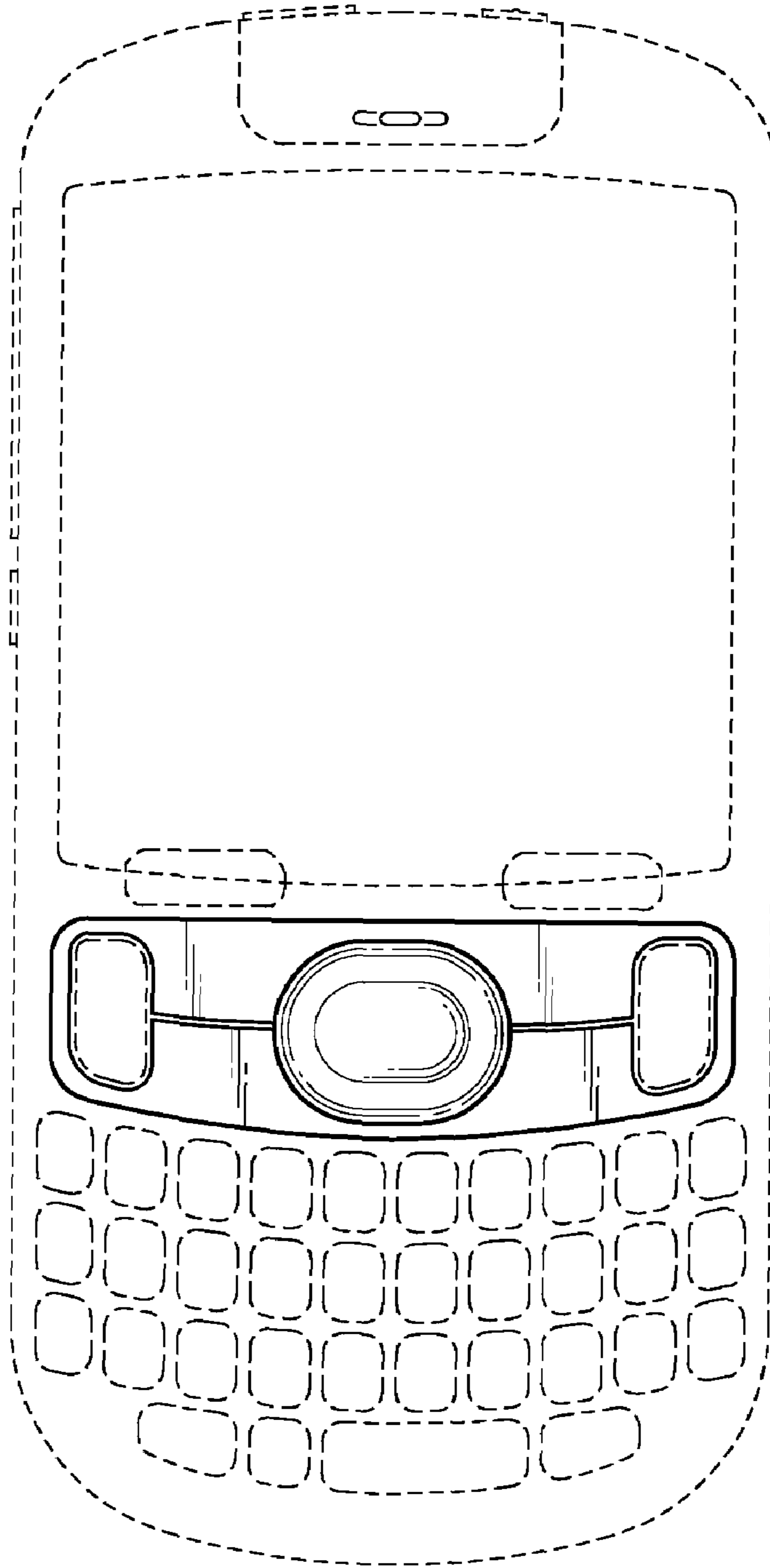


FIG. 1

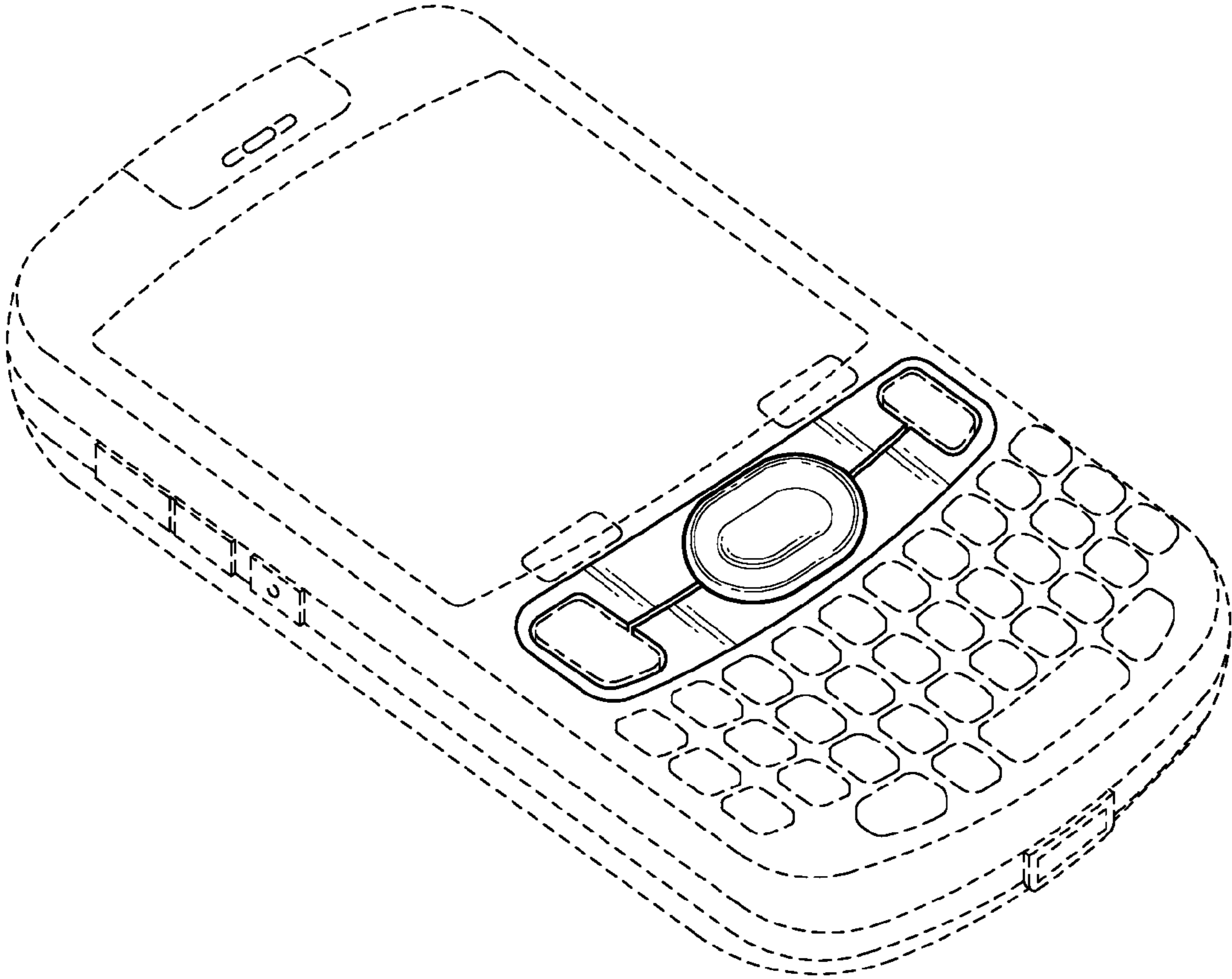


FIG. 2

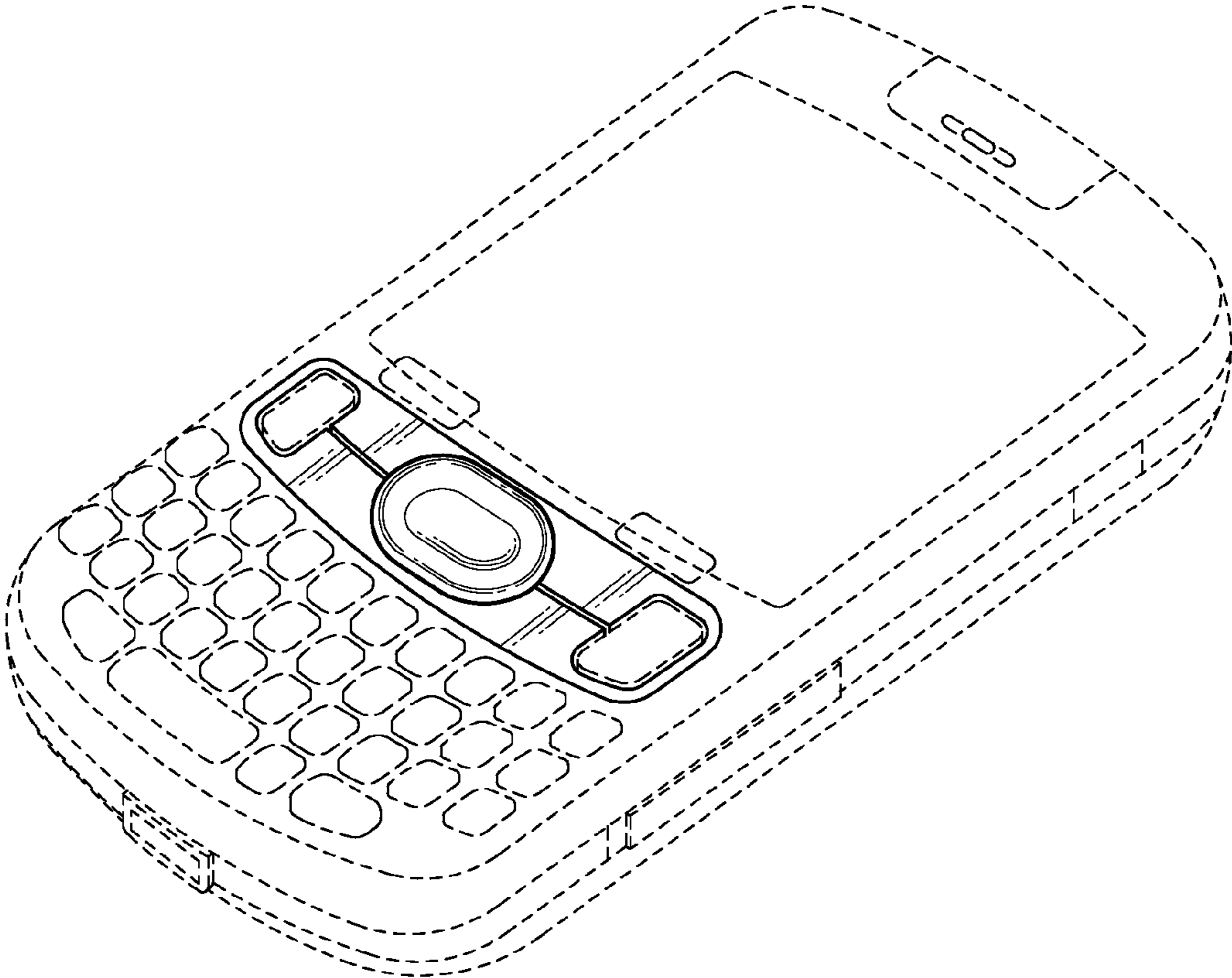


FIG. 3

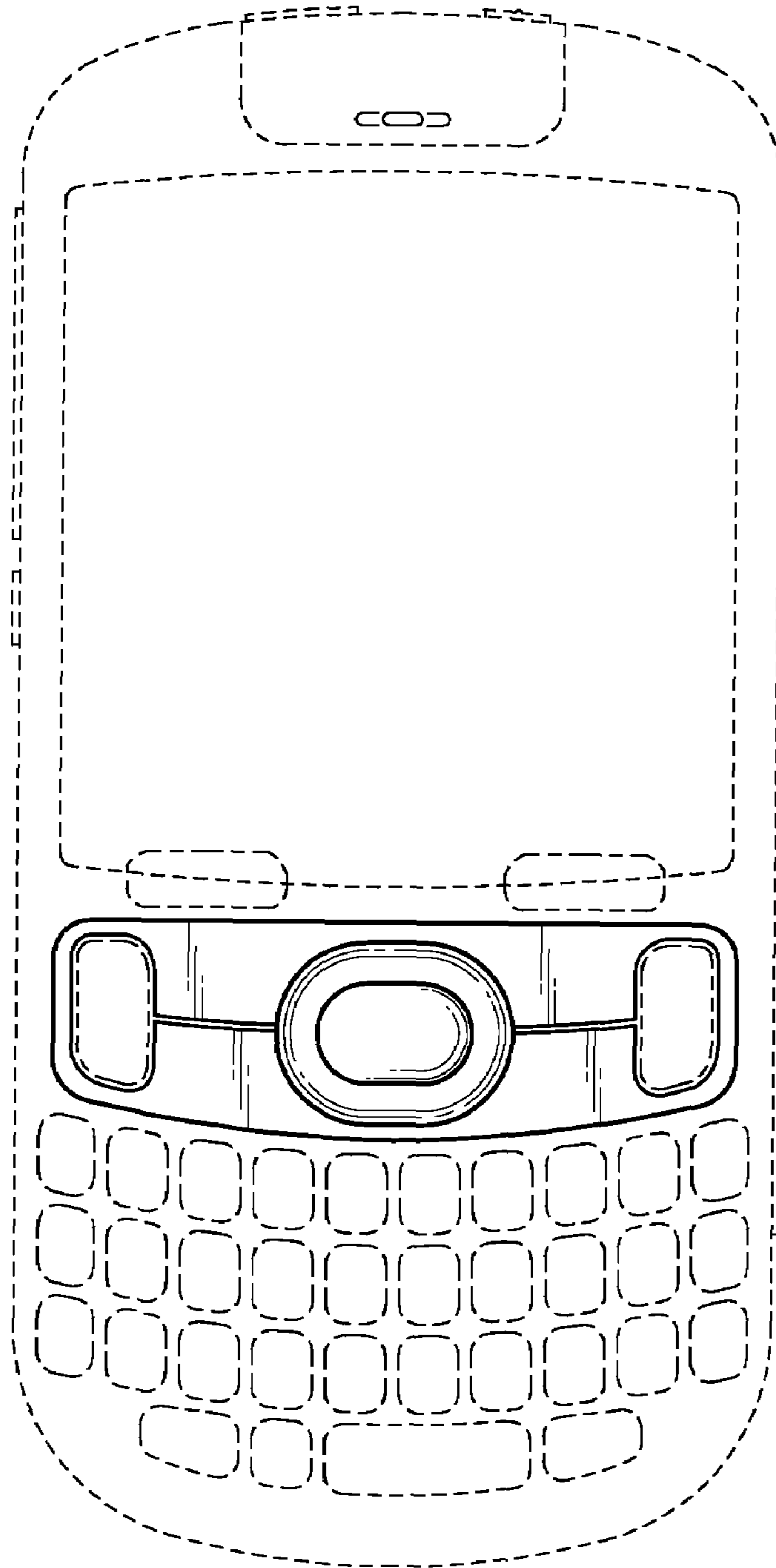


FIG. 4

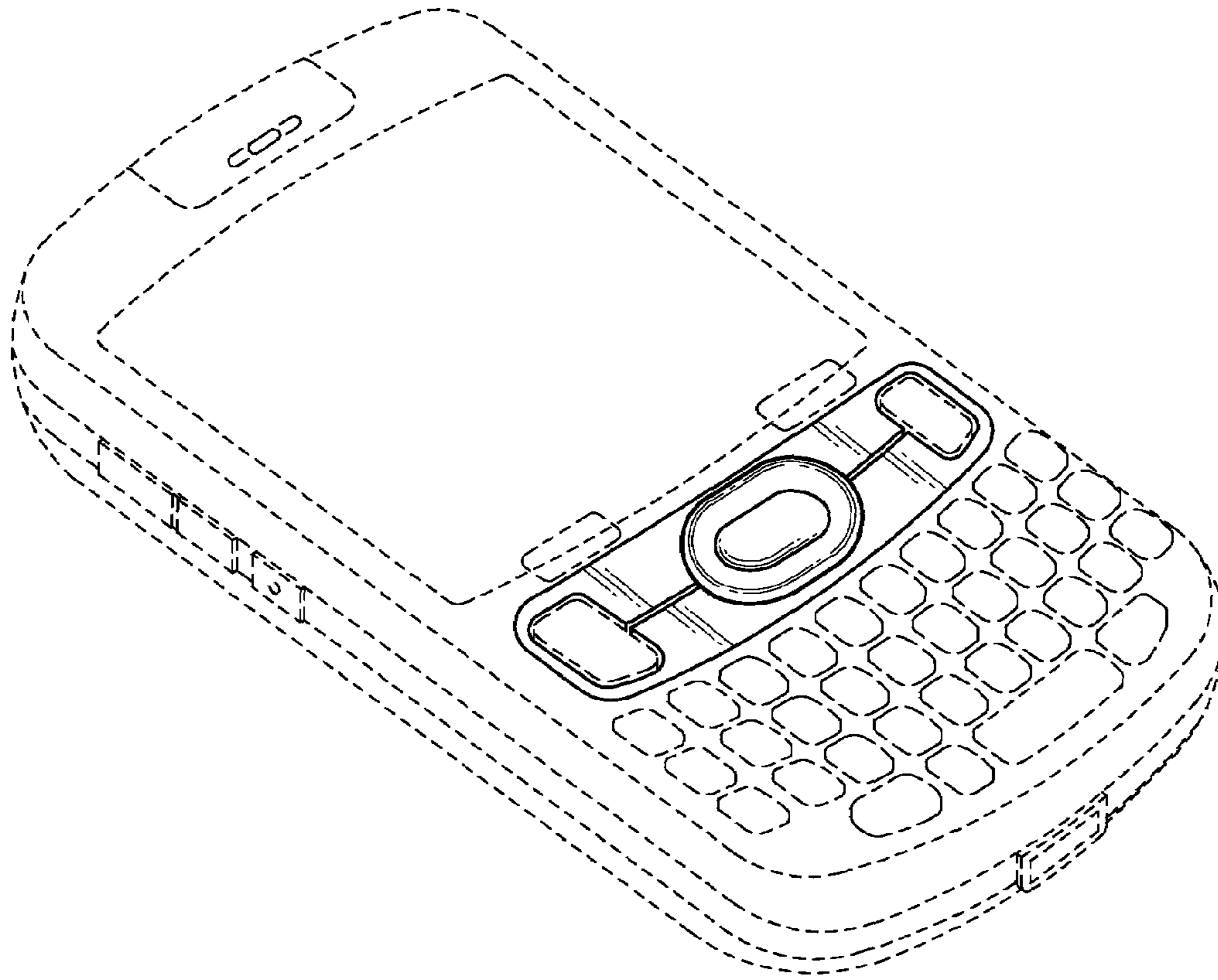


FIG. 5

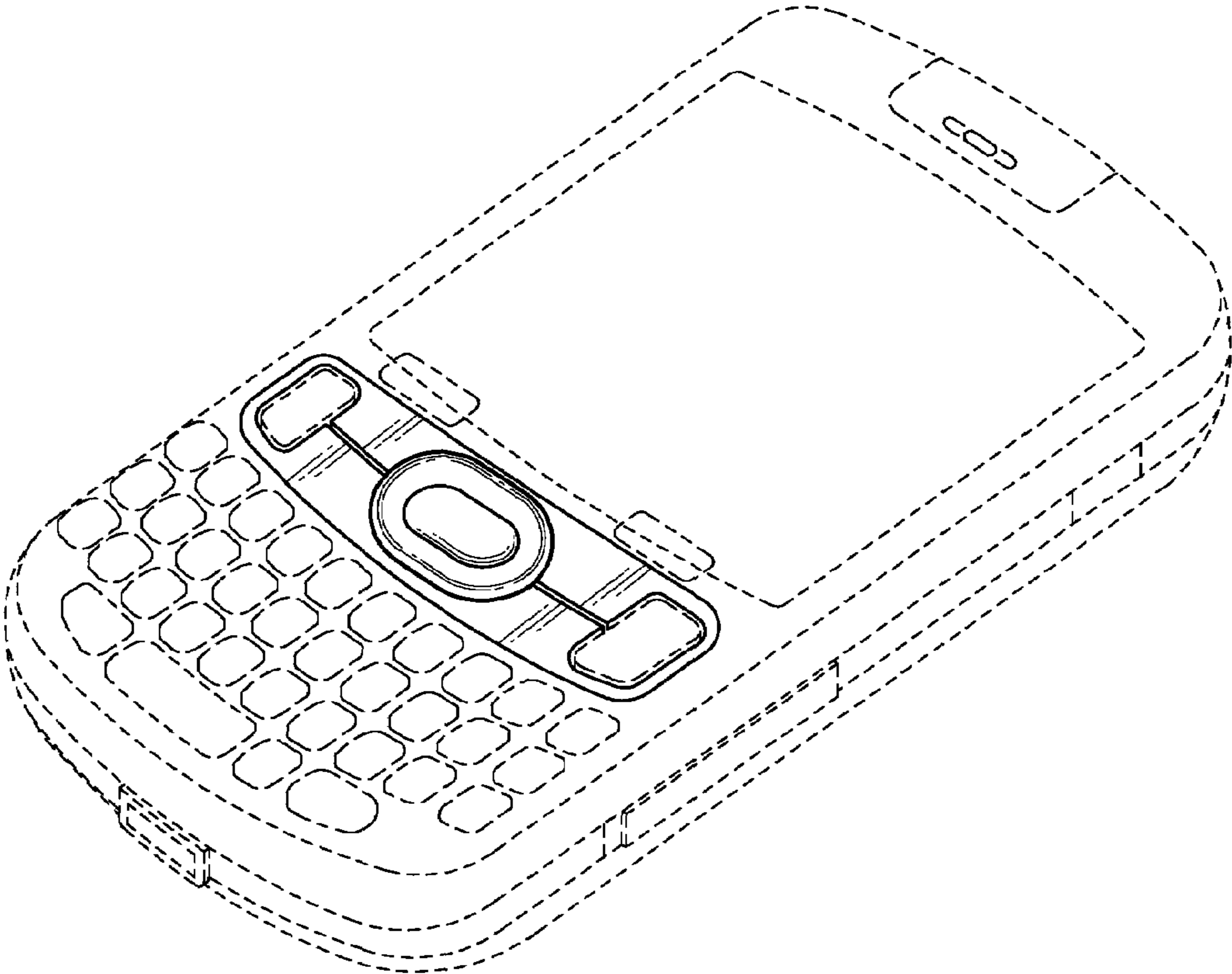


FIG. 6

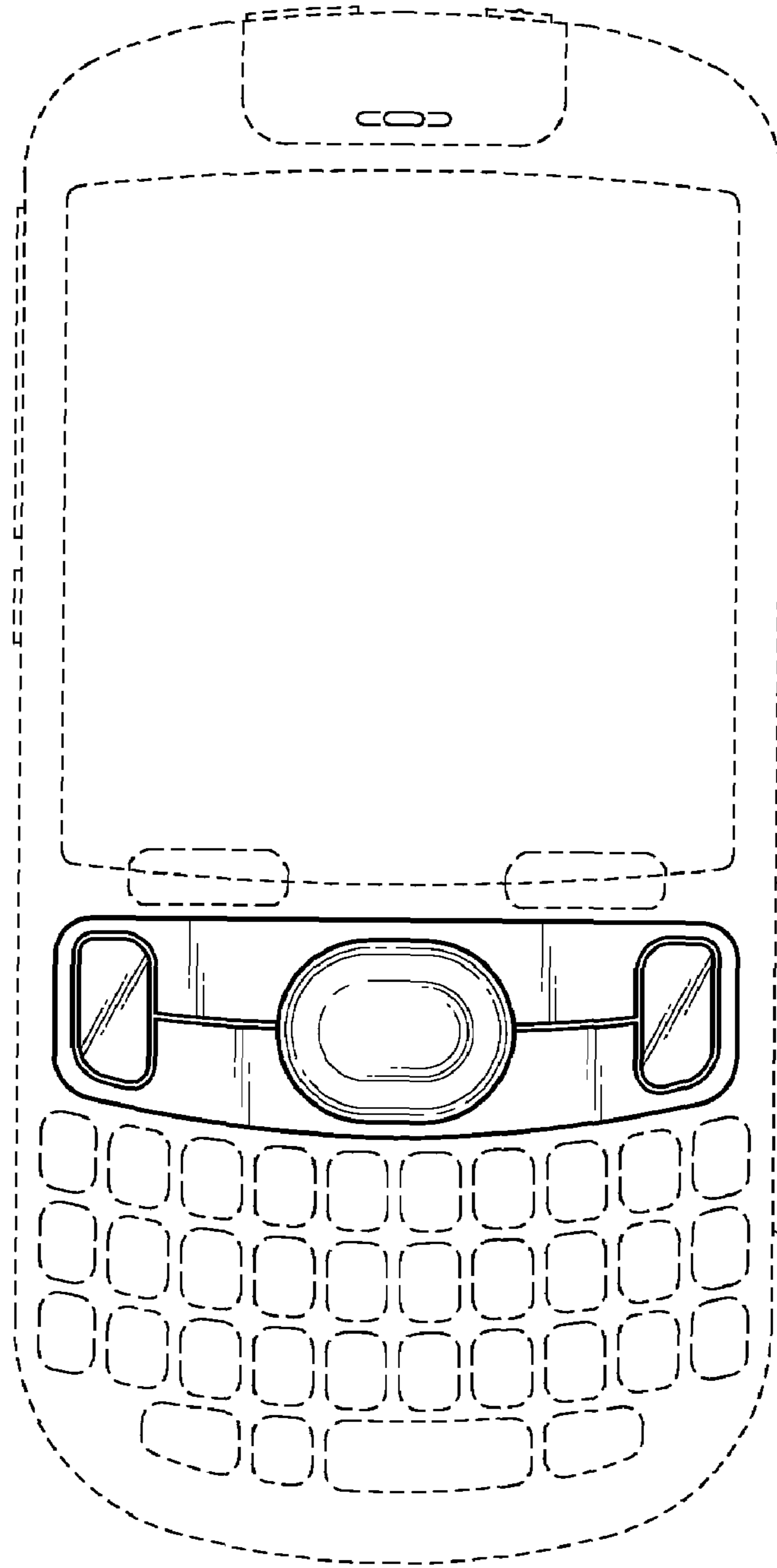


FIG. 7

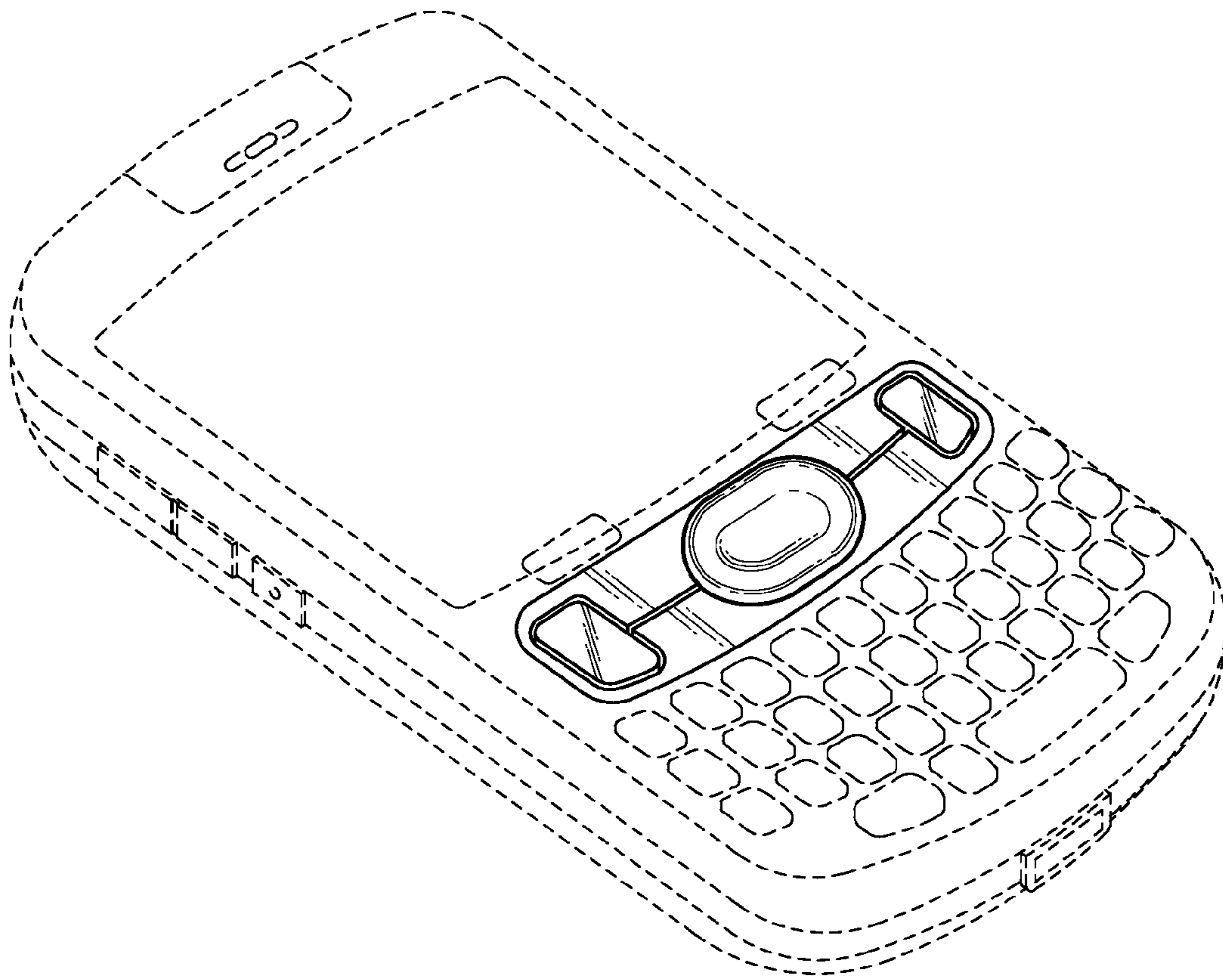


FIG. 8

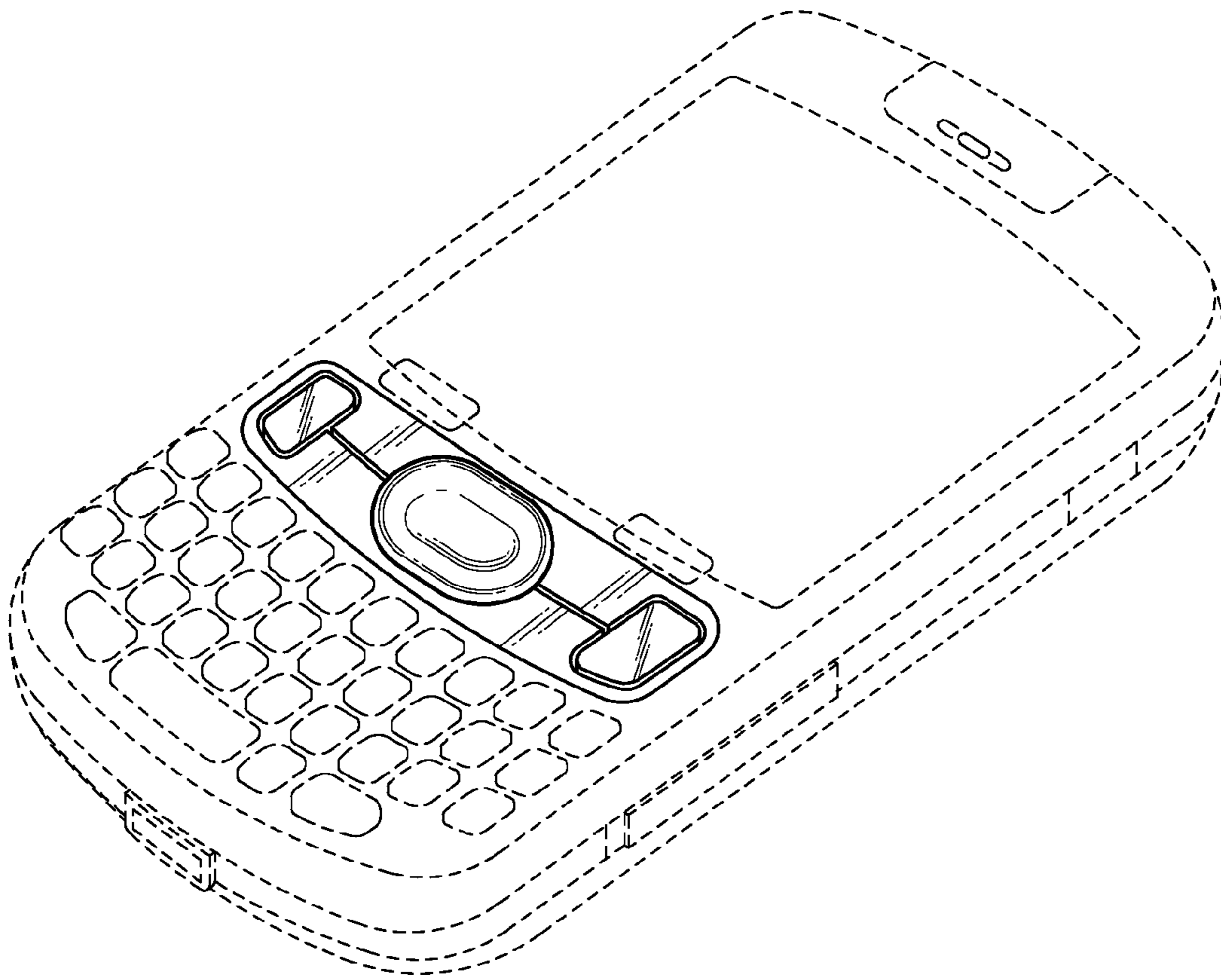


FIG. 9

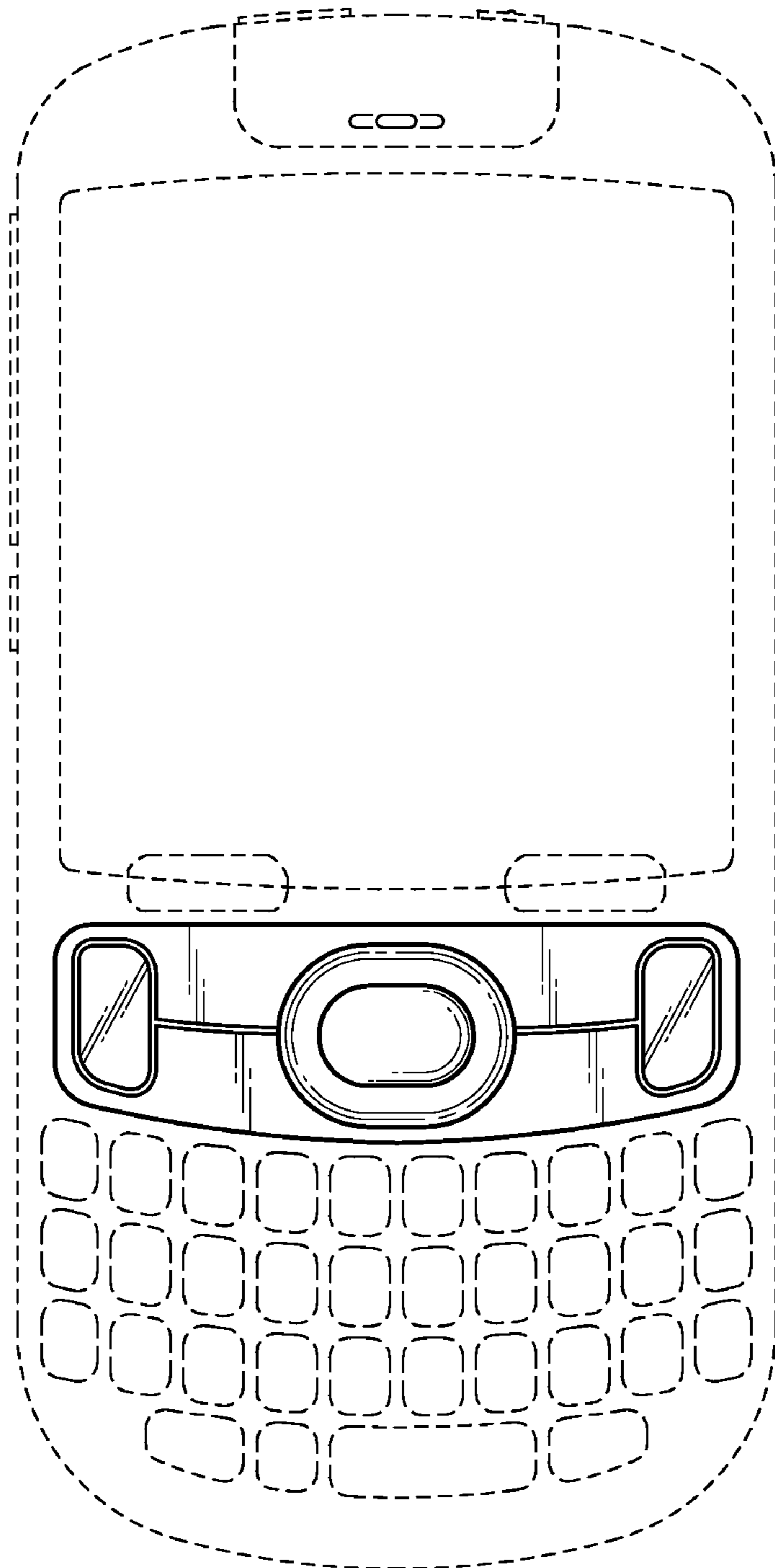


FIG. 10

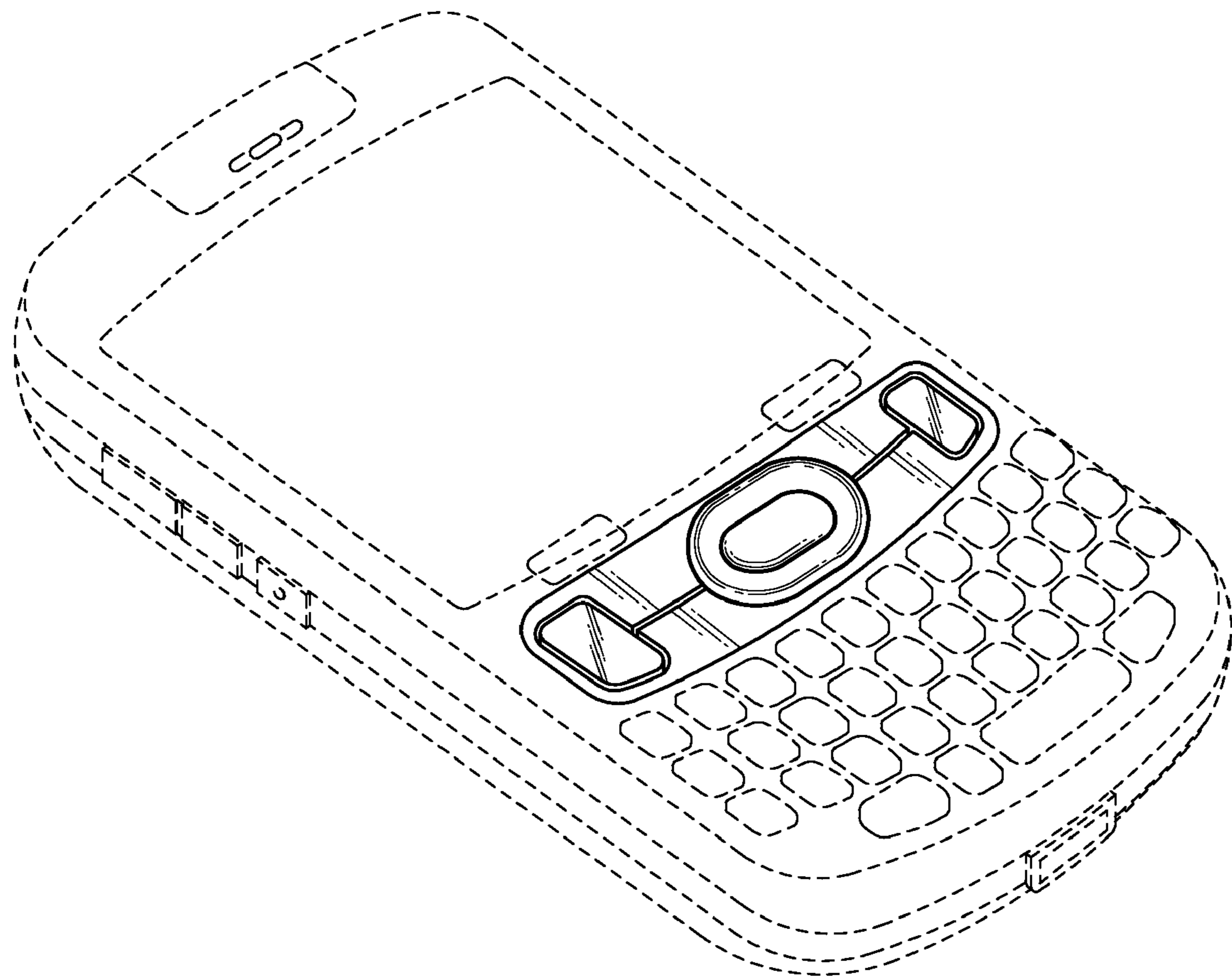


FIG. 11

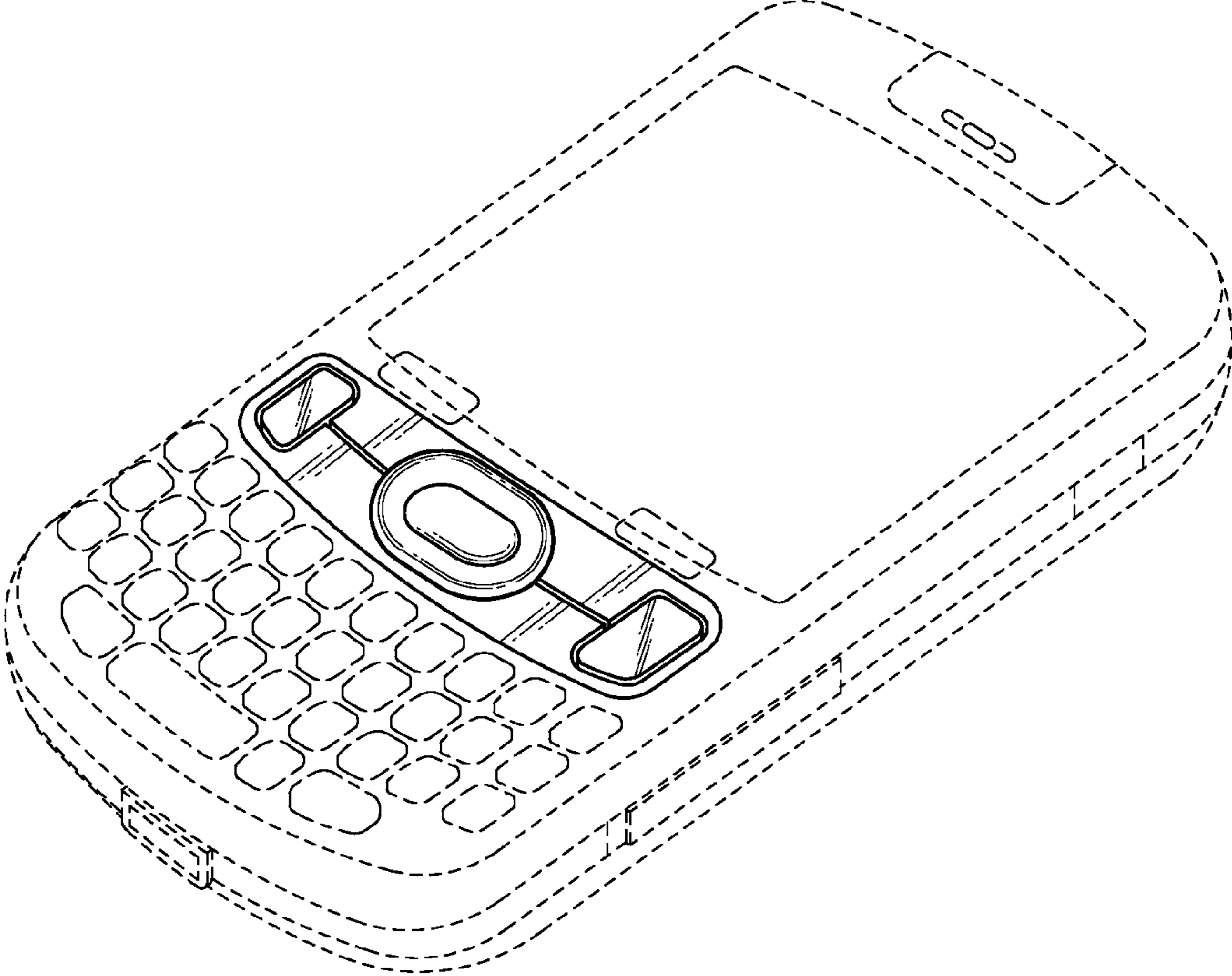


FIG. 12

UNITED STATES PATENT AND TRADEMARK OFFICE
CERTIFICATE OF CORRECTION

PATENT NO. : Des. 572,715 S
APPLICATION NO. : 29/277684
DATED : July 8, 2008
INVENTOR(S) : Richard Gioscia et al.

Page 1 of 1

It is certified that error appears in the above-identified patent and that said Letters Patent is hereby corrected as shown below:

Item (12) on the Title page, replace "Gioscia et al." with --Gioscia et al.--

Item (75) on the Title page, replace "Richard Gioscia, Santa Clara, CA (US);"
with --Richard Gioscia, Santa Clara, CA (US);--

Signed and Sealed this

Twenty-fifth Day of November, 2008

A handwritten signature in black ink that reads "Jon W. Dudas". The signature is written in a cursive style with a large, looped initial "J".

JON W. DUDAS

Director of the United States Patent and Trademark Office