



US00D572714S

(12) **United States Design Patent**
Chen et al.

(10) **Patent No.:** **US D572,714 S**

(45) **Date of Patent:** **** Jul. 8, 2008**

(54) **COMPUTER FRONT BEZEL**

(75) Inventors: **Yun-Lung Chen**, Taipei Hsien (TW);
Zhen Zhang, Shenzhen (CN)

(73) Assignee: **Hon Hai Precision Industry Co., Ltd.**,
Tu-Cheng, Taipei Hsien (TW)

(**) Term: **14 Years**

(21) Appl. No.: **29/279,024**

(22) Filed: **Apr. 18, 2007**

(51) **LOC (8) Cl.** **14-02**

(52) **U.S. Cl.** **D14/445**

(58) **Field of Classification Search** D14/441-446,
D14/125, 136, 257; D13/162, 184, 199;
312/223.1-223.3; 361/680-686, 690-696,
361/725; 369/34.01, 36.01

See application file for complete search history.

(56) **References Cited**

U.S. PATENT DOCUMENTS

D359,279 S *	6/1995	Fujimura et al.	D14/442
D407,711 S *	4/1999	Storti et al.	D14/257
D418,518 S *	1/2000	Storti et al.	D14/257
D480,693 S *	10/2003	Johansson et al.	D14/136
D482,695 S *	11/2003	Storti et al.	D14/444
D492,268 S *	6/2004	Mathews Reynolds et al.	..	D14/ 125

D512,419 S * 12/2005 Juskiewicz et al. D14/257

* cited by examiner

Primary Examiner—Freda S Nunn

(74) *Attorney, Agent, or Firm*—Frank R. Niranjan

(57) **CLAIM**

The ornamental design for a computer front bezel, as shown and described.

DESCRIPTION

FIG. 1 is a perspective view of the design for the computer front bezel wherein broken lines illustrate environmental features;

FIG. 2 is a front elevational view thereof;

FIG. 3 is a left side elevational view thereof;

FIG. 4 is a right side elevational view thereof;

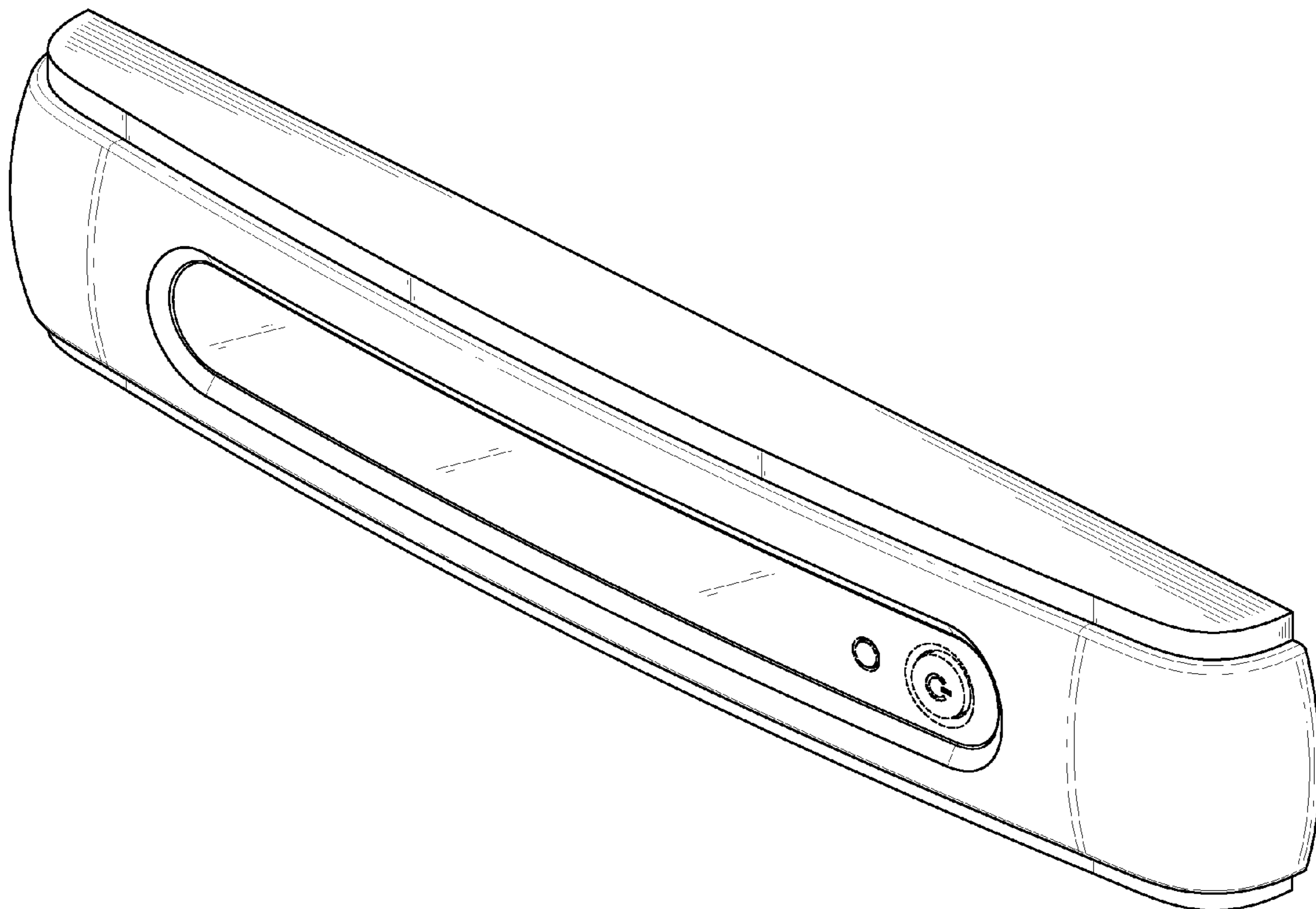
FIG. 5 is a top plan view thereof;

FIG. 6 is a bottom plan view thereof; and,

FIG. 7 is a perspective view thereof being mounted to a computer case which is shown in broken lines for illustrative purposes only and forms no part of the claimed design.

In these drawings the solid lines illustrate the claimed ornamental design whereas the broken lines illustrate environmental features that form no part of the claimed ornamental design.

1 Claim, 7 Drawing Sheets



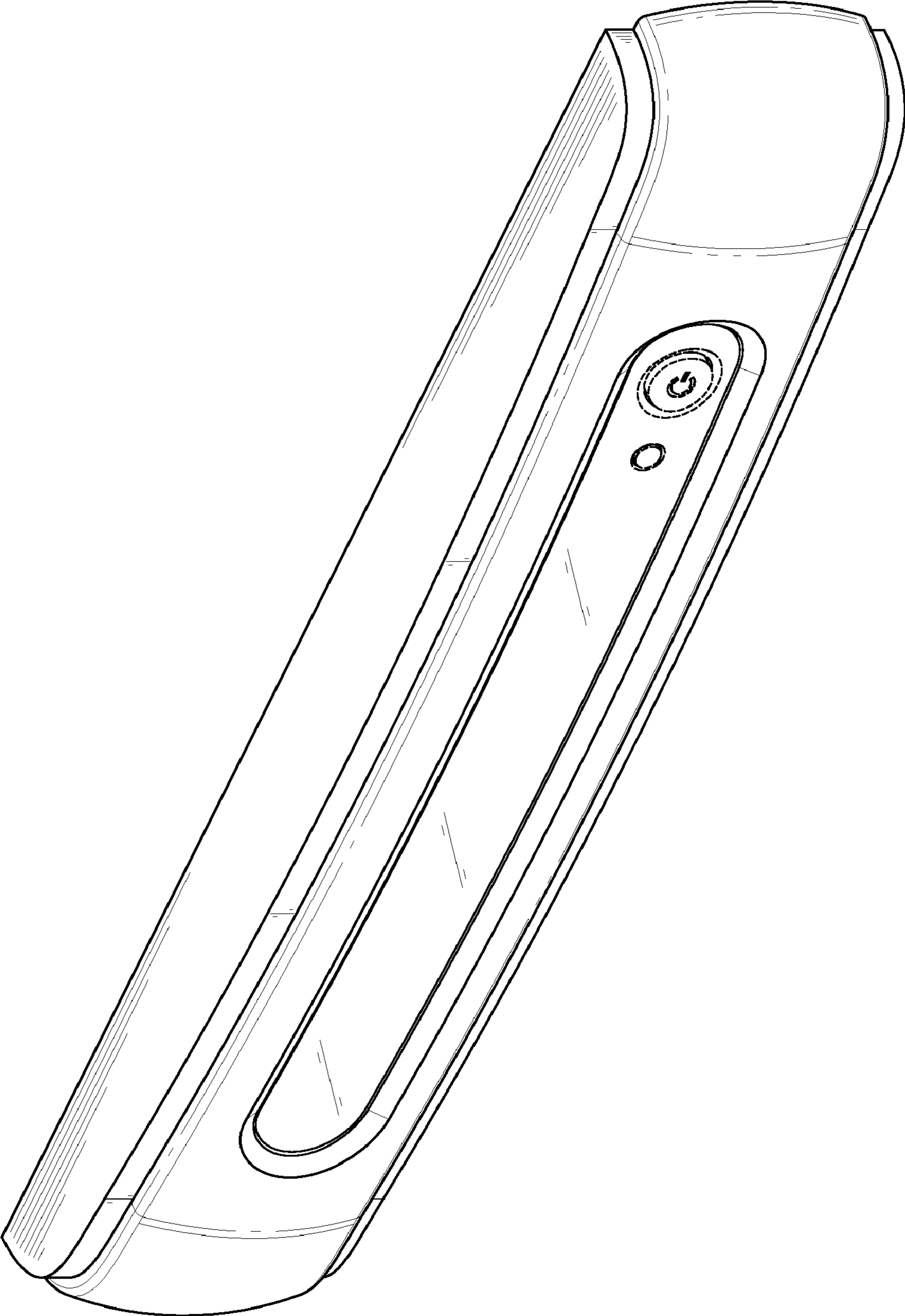


FIG. 1

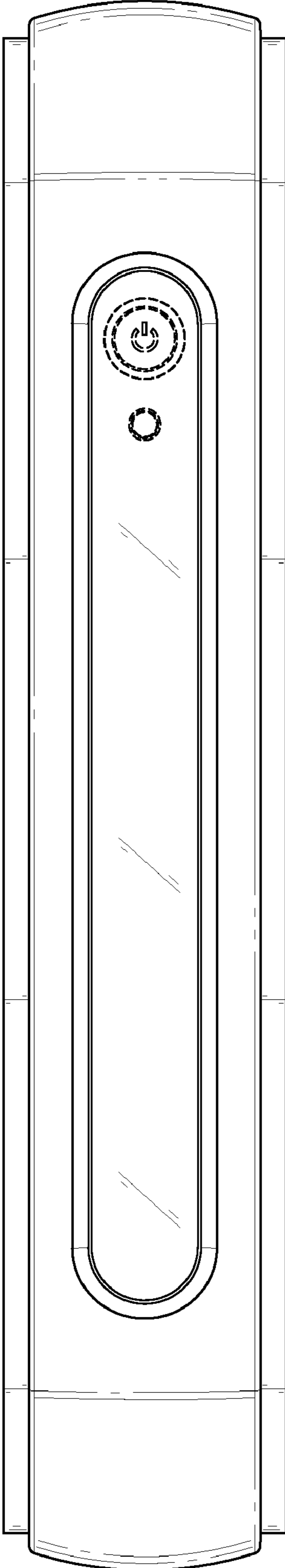


FIG. 2

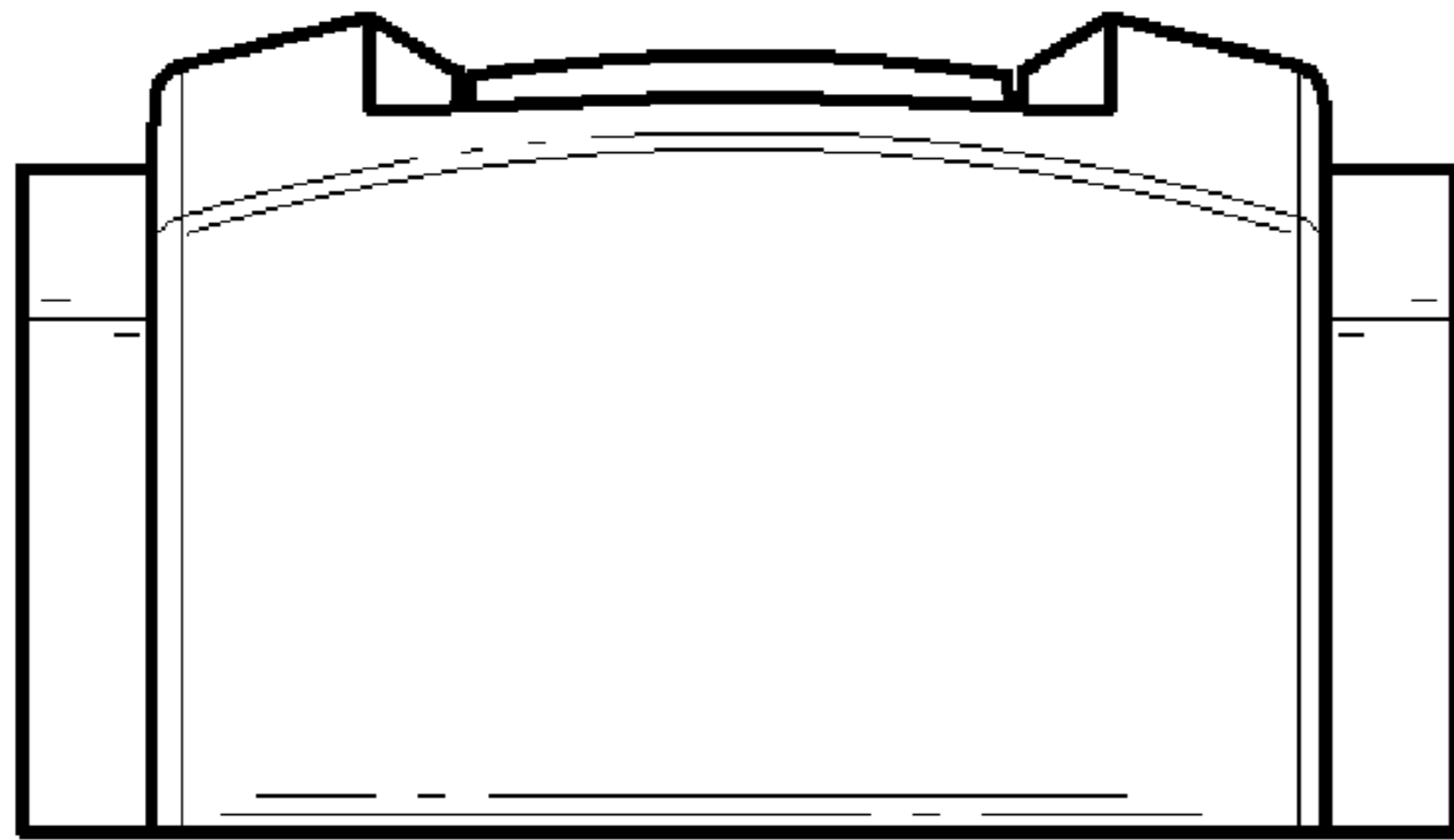


FIG. 3

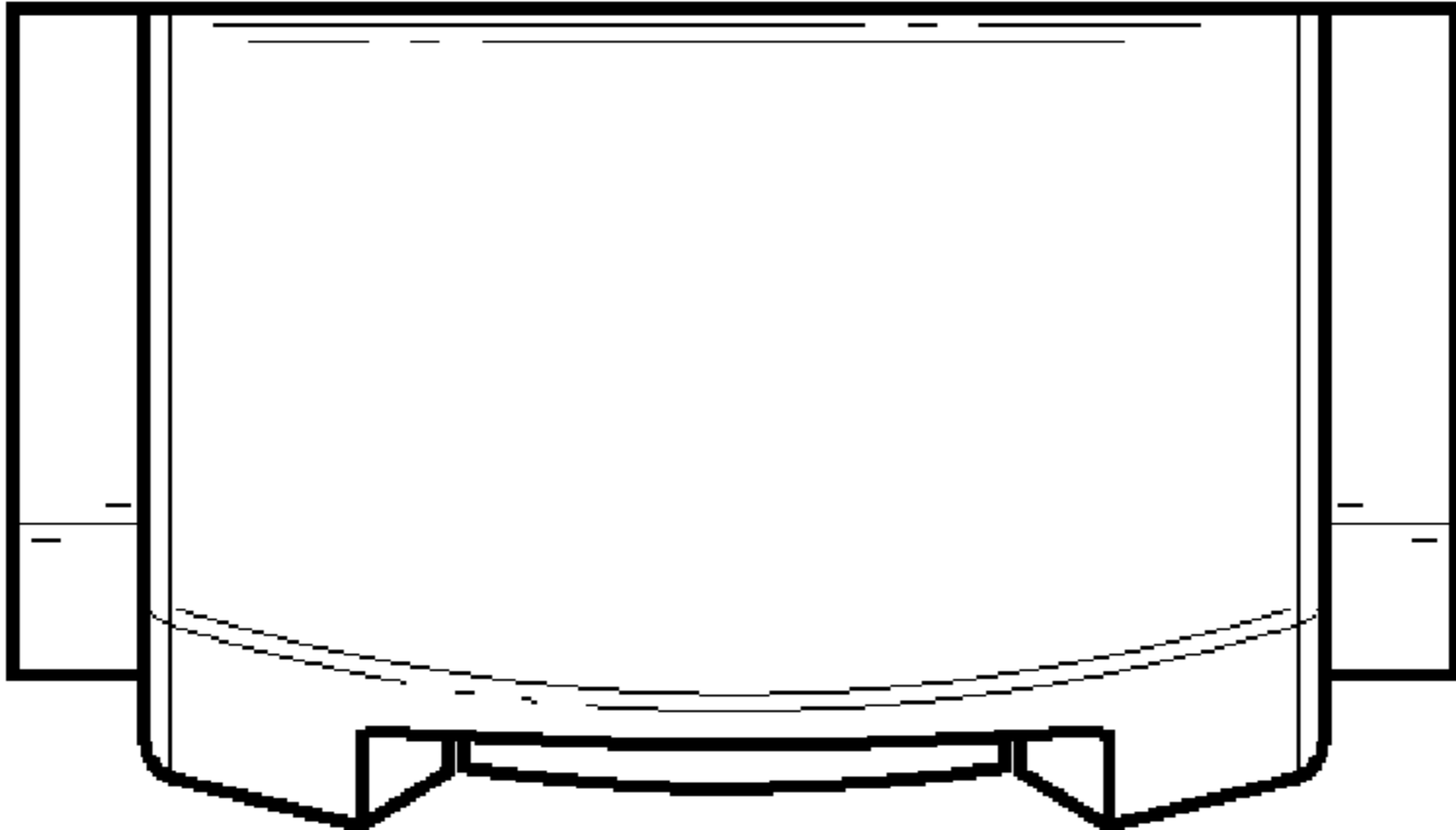


FIG. 4

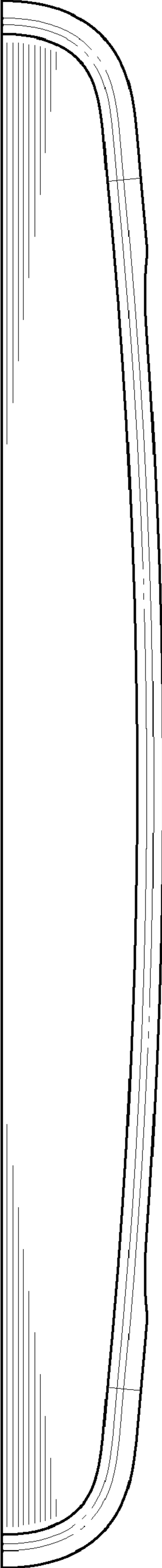


FIG. 5

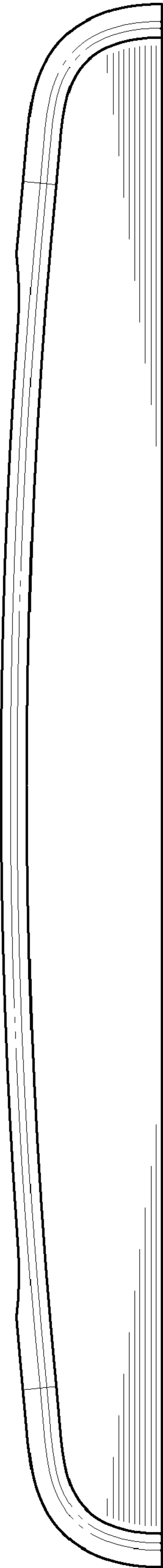


FIG. 6

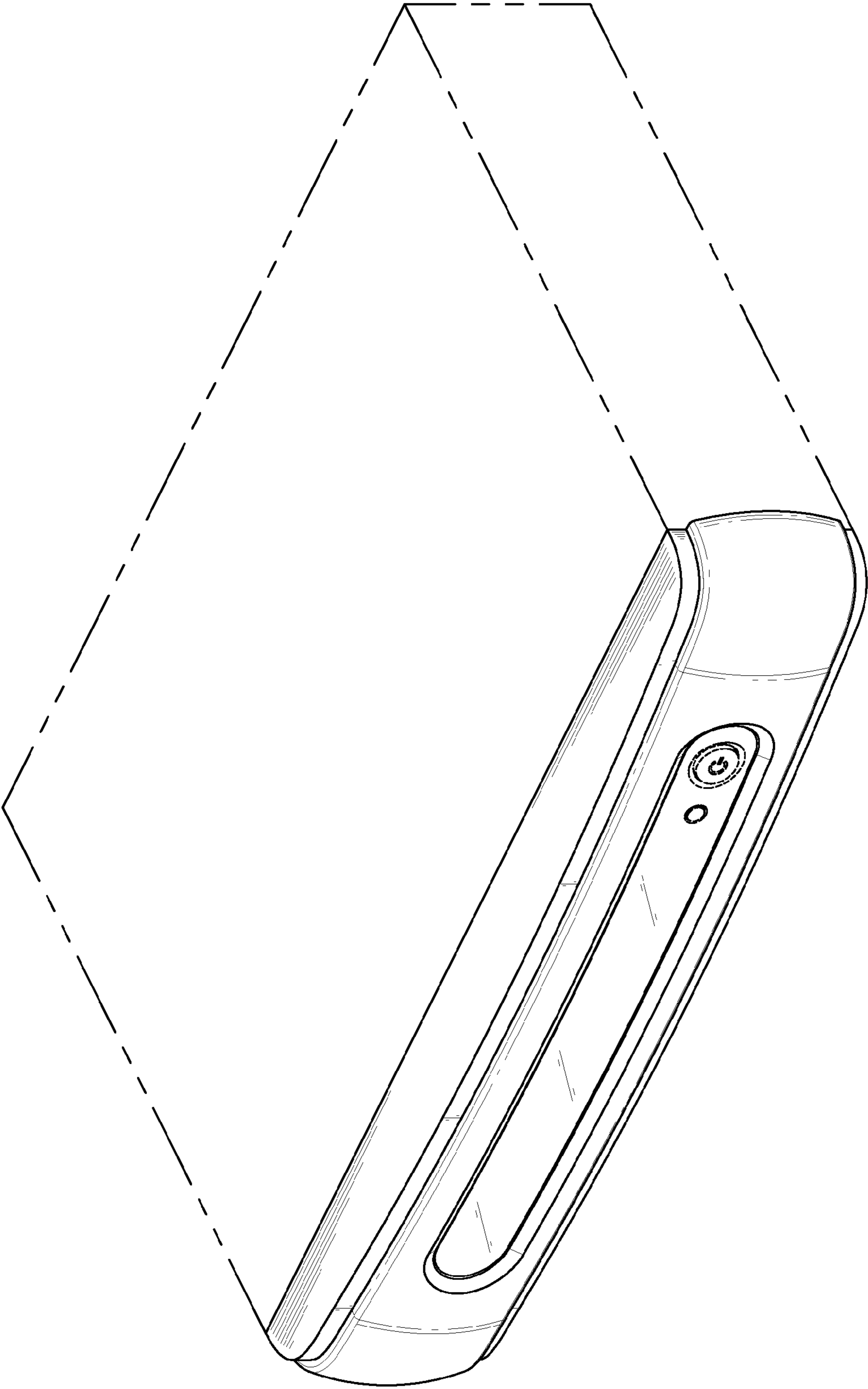


FIG. 7