



US00D572712S

(12) **United States Design Patent**
Ledbetter et al.

(10) **Patent No.:** **US D572,712 S**
(45) **Date of Patent:** **** Jul. 8, 2008**

(54) **PORTION OF AN ADAPTER**
(75) Inventors: **Carl J. Ledbetter**, Mercer Island, WA (US); **John Ikeda**, Seattle, WA (US); **John Dan Mabry**, Seattle, WA (US)
(73) Assignee: **Microsoft Corporation**, Redmond, WA (US)

D492,250 S * 6/2004 Alviar et al. D13/110
D503,679 S * 4/2005 Andre et al. D13/110
D511,343 S * 11/2005 Solomon et al. D14/356
D519,922 S * 5/2006 Andre et al. D13/110
D544,833 S * 6/2007 Sade et al. D13/108
D560,165 S * 1/2008 Matityahu et al. D13/133
D565,558 S * 4/2008 Liu D14/240

(**) Term: **14 Years**

* cited by examiner

(21) Appl. No.: **29/248,486**

Primary Examiner—Cathron Brooks
Assistant Examiner—Deanna Fluegeman
(74) *Attorney, Agent, or Firm*—Banner & Witcoff, Ltd.

(22) Filed: **Aug. 17, 2006**

(57) **CLAIM**

(51) **LOC (8) Cl.** **14-02**
(52) **U.S. Cl.** **D14/432**; D13/110
(58) **Field of Classification Search** D14/356–358, D14/362, 363, 365, 368, 370, 383, 385, 388, D14/432, 433, 435, 439, 442, 443; D13/107, D13/108, 110, 118, 123, 137.1, 137.2, 144, D13/184, 199; 320/107–115; 363/15, 16, 363/126, 141, 144, 146; 439/131, 172, 173, 439/500, 638

The ornamental design for a portion of an adapter, as shown and described.

See application file for complete search history.

DESCRIPTION

(56) **References Cited**

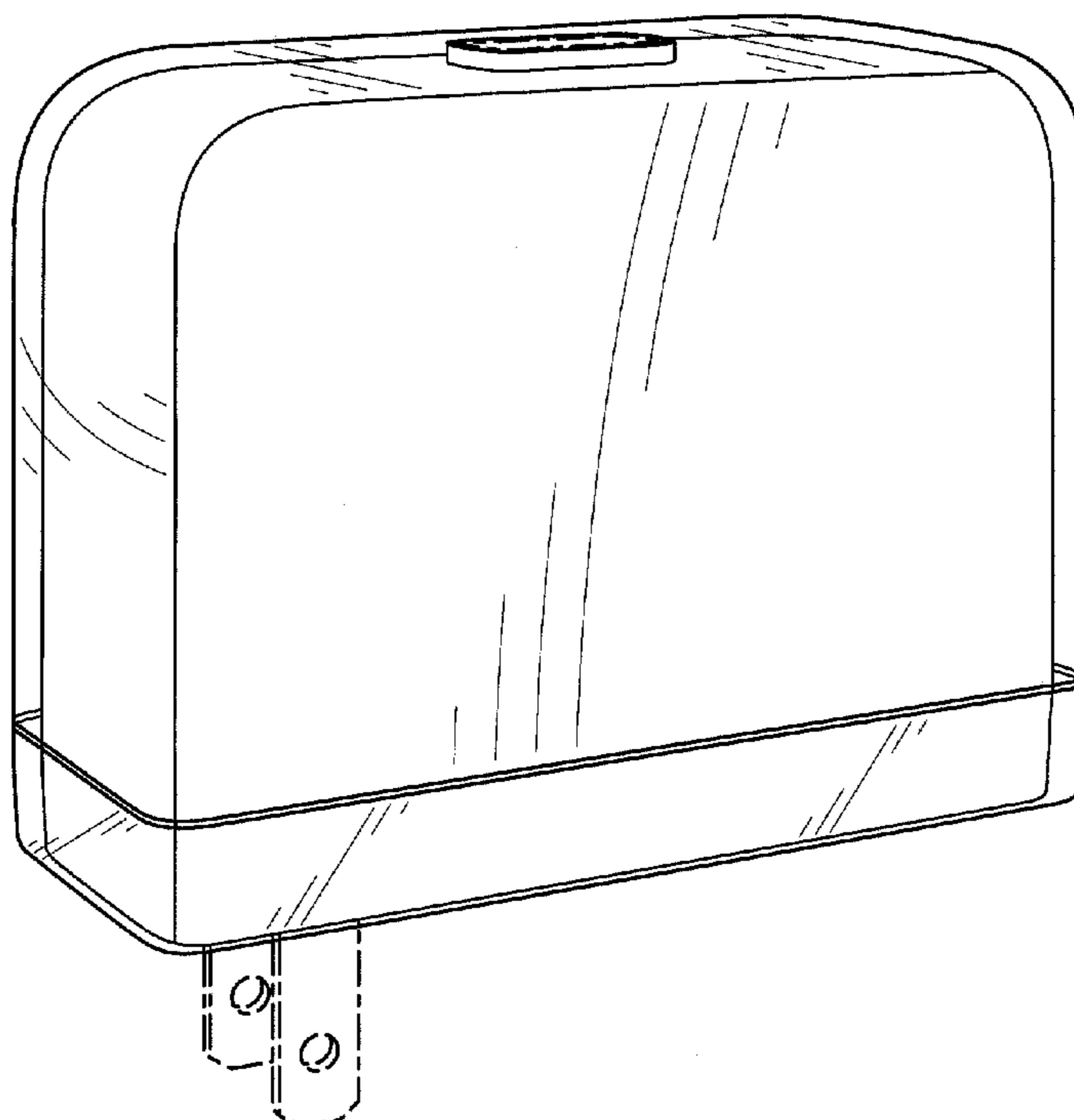
FIG. 1 is a right perspective view of a portion of an adapter showing our new design;
FIG. 2 is a front view thereof;
FIG. 3 is a rear view thereof;
FIG. 4 is a left side view thereof;
FIG. 5 is a right side view thereof; and,
FIG. 6 is a top view thereof.

U.S. PATENT DOCUMENTS

D407,066 S * 3/1999 Renk D13/110
D478,310 S * 8/2003 Andre et al. D13/110
D478,546 S * 8/2003 Andre et al. D13/110
D479,823 S * 9/2003 Andre et al. D13/110
D484,497 S * 12/2003 Alviar et al. D14/240
D490,080 S * 5/2004 Alviar et al. D14/433

The unshown bottom forms no part of the claimed design. The broken line showing of various regions in the Figures, including the unshaded areas therein, is for illustrative purposes only and forms no part of the claimed design.

1 Claim, 6 Drawing Sheets



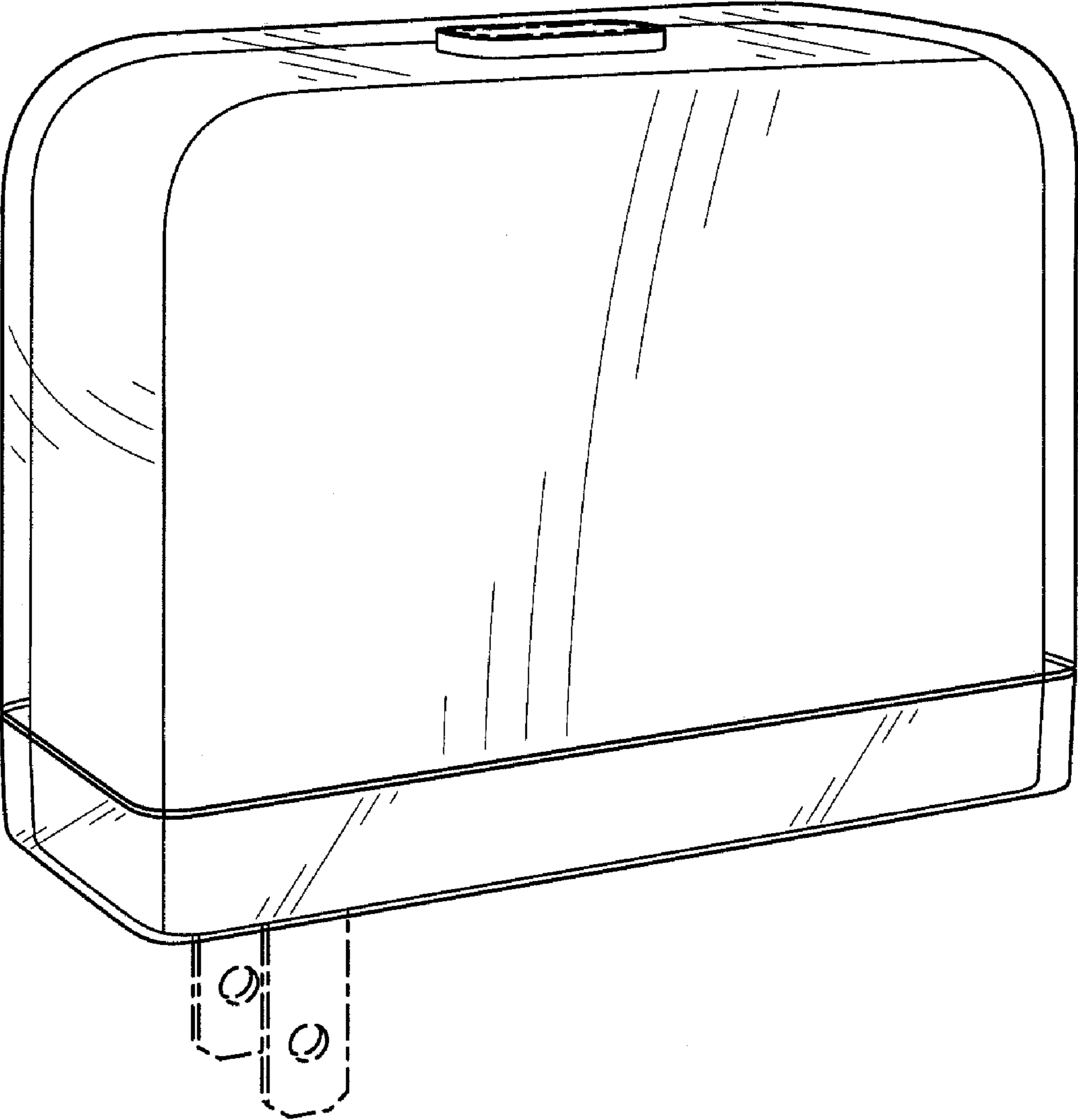


FIG. 1

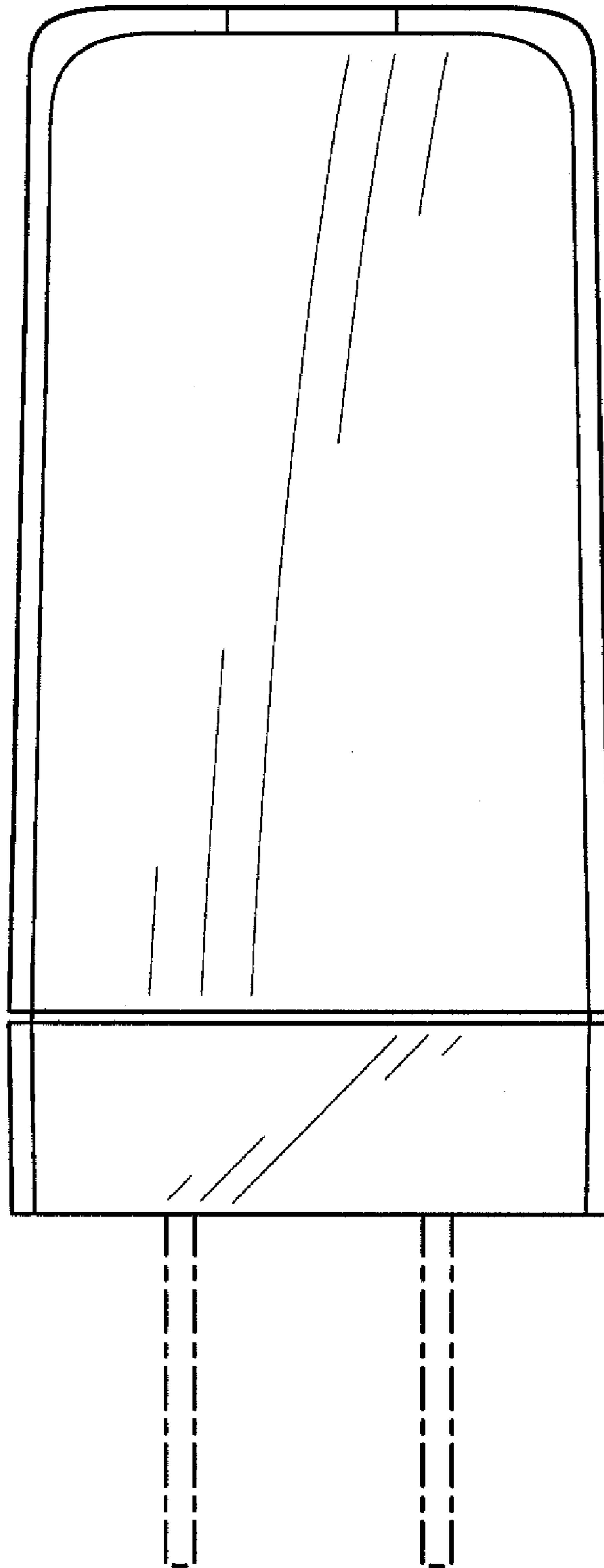


FIG. 2

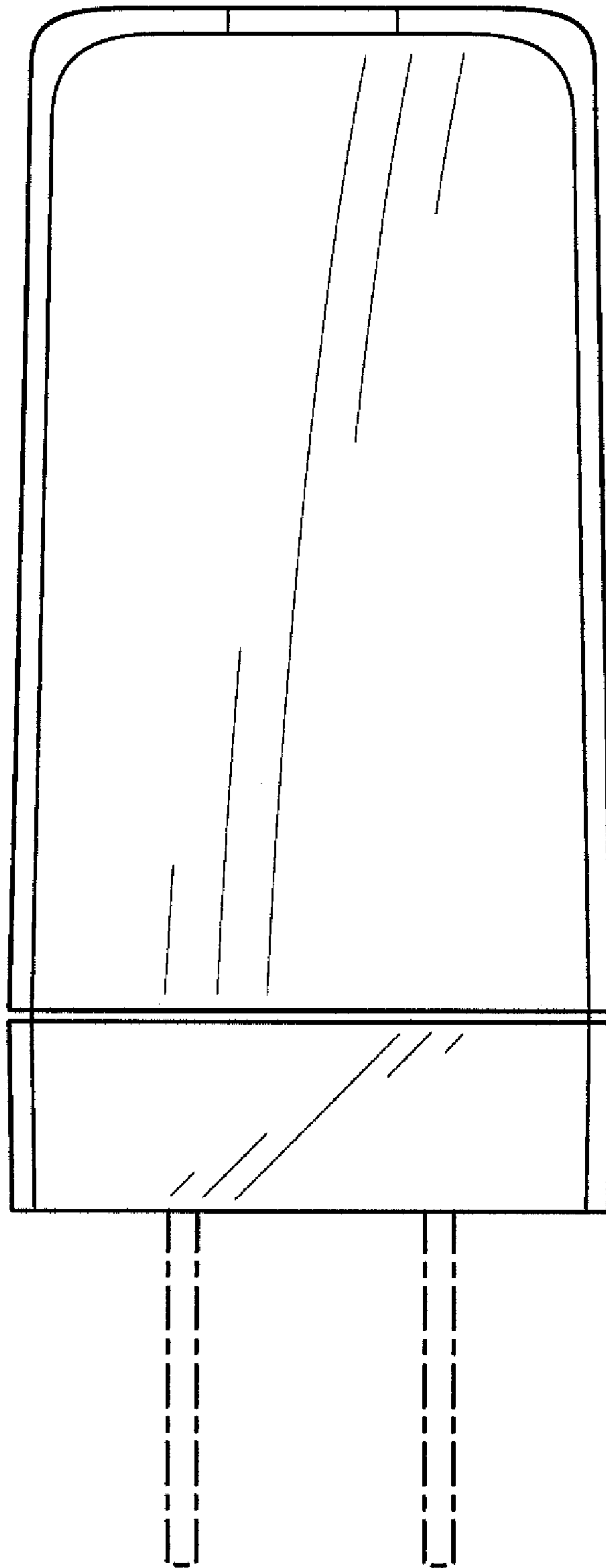


FIG. 3

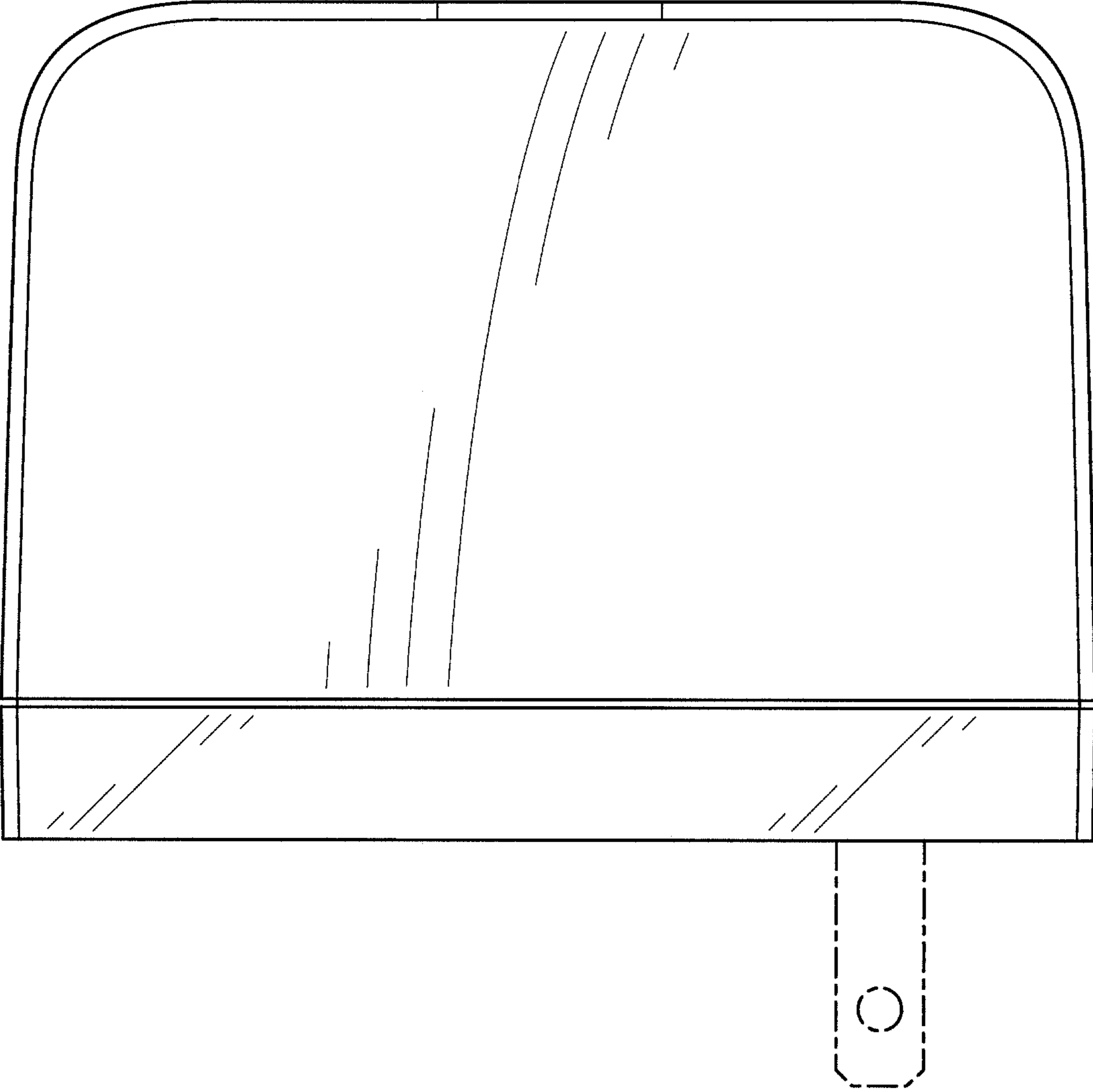


FIG. 4

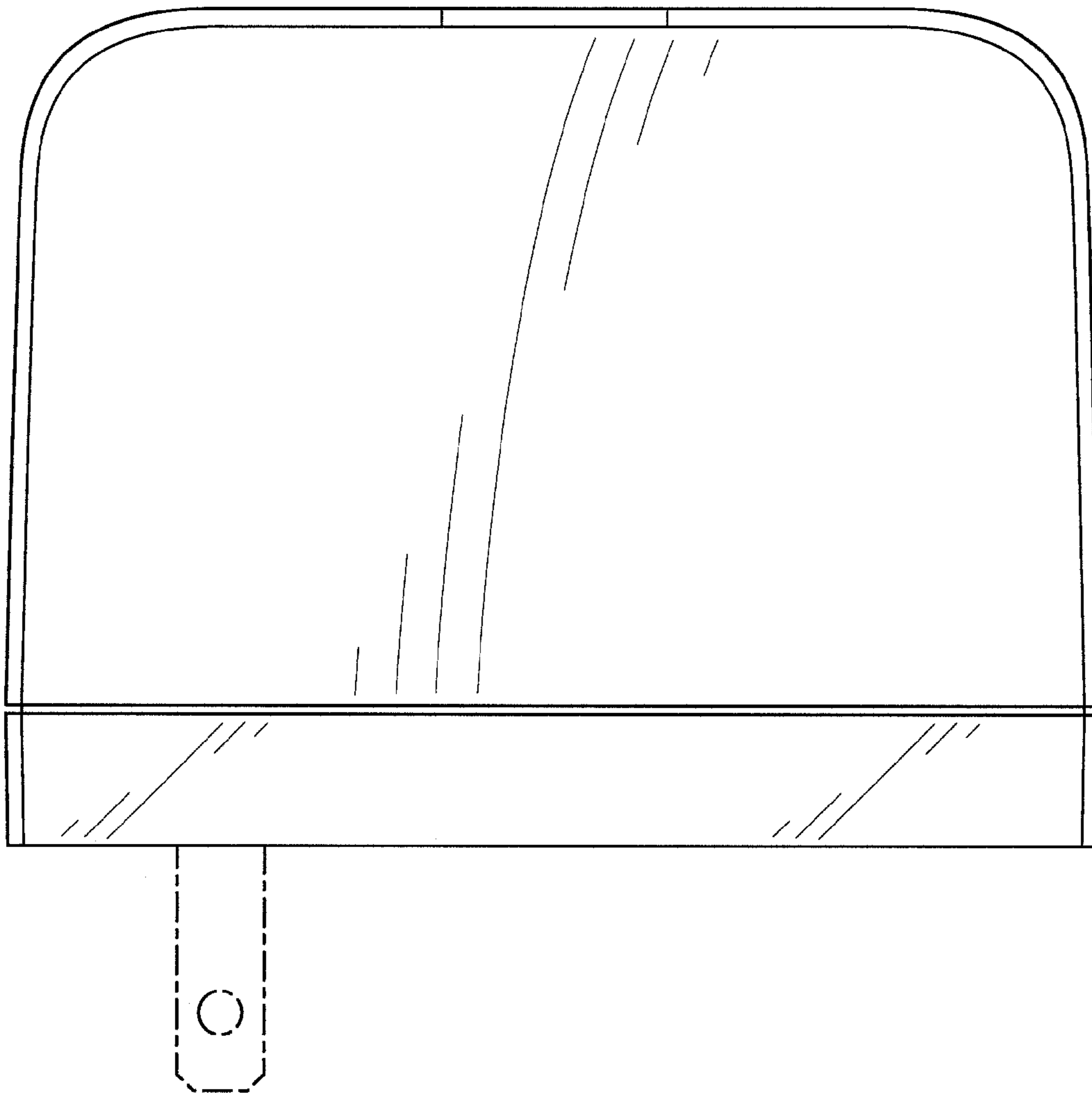


FIG. 5

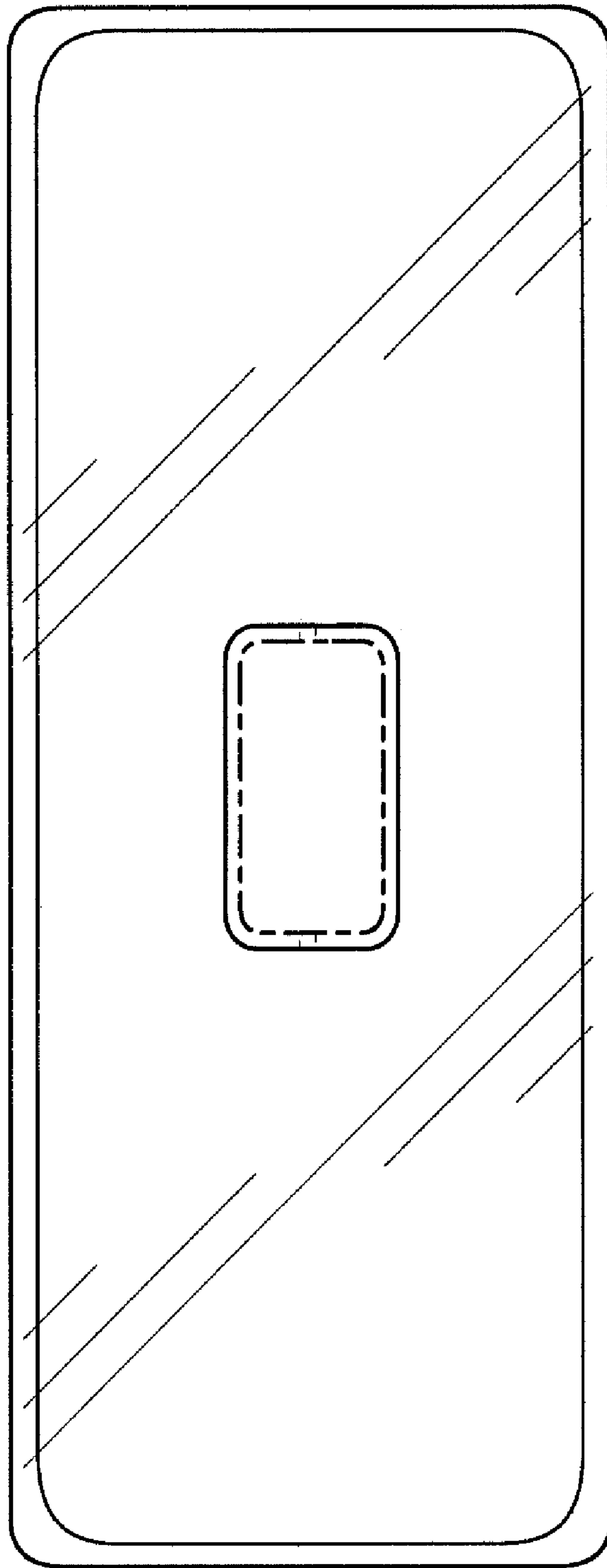


FIG. 6