



US00D572709S

(12) **United States Design Patent**
Nakagawa et al.

(10) **Patent No.:** **US D572,709 S**
(45) **Date of Patent:** **** Jul. 8, 2008**

(54) **PORTABLE COMPUTER**
(75) Inventors: **Hitoshi Nakagawa**, Kadoma (JP);
Tetsuya Kaneshiro, Kadoma (JP)
(73) Assignee: **Matsushita Electric Industrial Co., Ltd.**, Osaka (JP)
(*) Notice: This patent is subject to a terminal disclaimer.

JP 981355 5/1997
JP 984167 7/1997
JP 01013936 * 7/1998
JP 1041331 6/1999
JP 1065790 4/2000
JP 994094/10 7/2000
JP 934416 10/2000
JP 1094693 12/2000
JP 1094694 12/2000
JP 1094695 12/2000
JP 1098189 1/2001

(**) Term: **14 Years**

(Continued)

(21) Appl. No.: **29/267,661**

OTHER PUBLICATIONS

(22) Filed: **Oct. 18, 2006**

The magazine "PC User", issued in Feb. 2006 by Softbank Creative Inc.

(30) **Foreign Application Priority Data**

(Continued)

Apr. 20, 2006 (JP) 2006-010269

Primary Examiner—Freda S Nunn
(74) *Attorney, Agent, or Firm*—Brinks Hofer Gilson & Lione

(51) **LOC (8) Cl.** **14-02**

(52) **U.S. Cl.** **D14/315**

(58) **Field of Classification Search** D14/315-327;
D18/1, 2, 7; 235/145 A, 145 R; 341/22,
341/23; 345/104, 156, 167-169, 173, 1.1;
361/680-686, 690-696; 400/486, 489
See application file for complete search history.

(57) **CLAIM**

We claim the ornamental design for a portable computer, as shown and described.

(56) **References Cited**

DESCRIPTION

U.S. PATENT DOCUMENTS

FIG. 1 is a top perspective view of a portable computer of the present invention;
FIG. 2 is a front view thereof;
FIG. 3 is a top view thereof;
FIG. 4 is a bottom view thereof;
FIG. 5 is a right side view thereof, the left side view being a mirror image thereof; and,
FIG. 6 is a rear view thereof.

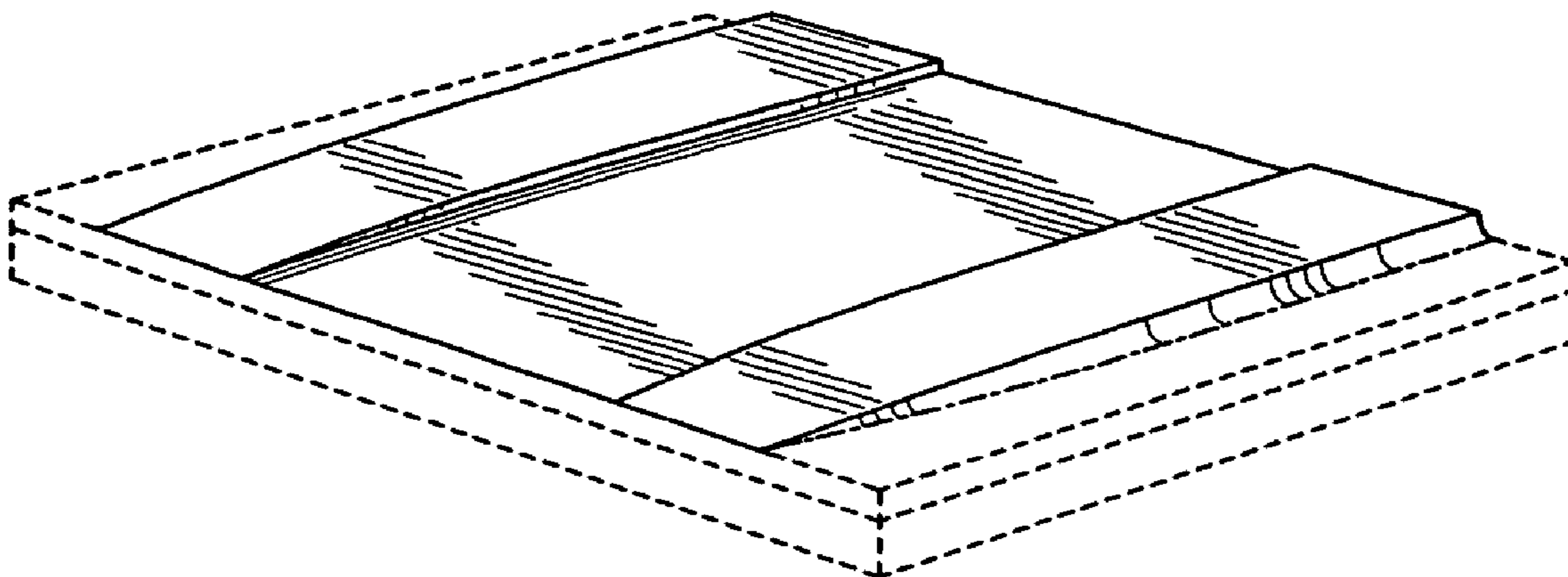
D332,781 S * 1/1993 Toedter D14/322
D361,553 S 8/1995 De Iuliis
D367,046 S 2/1996 Haraga et al.
D426,817 S 6/2000 Sugano et al.
D429,722 S 8/2000 Kikuchi
D435,549 S 12/2000 Amano et al.
D443,875 S 6/2001 Ma et al.
D466,498 S * 12/2002 Wang D14/318
D483,356 S 12/2003 Kobayashi
D490,417 S * 5/2004 Chen et al. D14/318
D498,753 S 11/2004 Yamada

The ornamental design which is claimed is shown in solid lines in the drawings. Any broken lines in the drawings are for illustrative purposes only and form no part of the claimed design.

FOREIGN PATENT DOCUMENTS

JP 0893156 * 3/1994

1 Claim, 3 Drawing Sheets



FOREIGN PATENT DOCUMENTS

JP	1099102	1/2001
JP	1100612	2/2001
JP	1103747	3/2001
JP	1113521	7/2001
JP	1119631	8/2001
JP	1119691	8/2001
JP	1120213	9/2001
JP	1121108	9/2001
JP	1121272	9/2001
JP	1122008	9/2001
JP	1127372	11/2001
JP	1127600	12/2001
JP	1128503	12/2001
JP	1128505	12/2001
JP	1128506	12/2001
JP	1128775	12/2001
JP	1128808	12/2001
JP	1129334	12/2001
JP	1131716	1/2002
JP	1143514	6/2002
JP	1145540	7/2002
JP	1161645	12/2002
JP	1176115	6/2003
JP	1177526	6/2003
JP	1186847	10/2003
JP	1189345	11/2003
JP	1198666	3/2004
JP	1214993	8/2004
JP	1215911	8/2004
JP	1229871	2/2005
JP	1230580	2/2005

JP	1259272	12/2005
JP	1260446	1/2006
SE	93-1848	* 8/1993

OTHER PUBLICATIONS

Kaneshiro, U.S. Design Application entitled "Portable Computer", U.S. Appl. No. 29/267,555, filed Oct. 17, 2006.

Kaneshiro, U.S. Design Application entitled "Portable Computer", U.S. Appl. No. 29/267,556, filed Oct. 17, 2006.

Kaneshiro, U.S. Design Application entitled "Portable Computer", U.S. Appl. No. 29/267,572, filed Oct. 17, 2006.

Kaneshiro, U.S. Design Application entitled "Portable Computer", U.S. Appl. No. 29/267,592, filed Oct. 17, 2006.

Nakagawa, U.S. Design Application entitled "Portable Computer", U.S. Appl. No. 29/267,649, filed Oct. 18, 2006.

Nakagawa et al., U.S. Design Application entitled "Portable Computer", U.S. Appl. No. 29/267,650, filed Oct. 18, 2006.

Kaneshiro et al., U.S. Design Application entitled "Portable Computer", U.S. Appl. No. 29/267,651, filed Oct. 18, 2006.

Kaneshiro et al., U.S. Design Application entitled "Portable Computer", U.S. Appl. No. 29/267,660, filed Oct. 18, 2006.

Nakagawa et al., U.S. Design Application entitled "Portable Computer", U.S. Appl. No. 29/267,662, filed Oct. 18, 2006.

Kaneshiro et al., U.S. Design Application entitled "Portable Computer", U.S. Appl. No. 29/267,663, filed Oct. 18, 2006.

Nakagawa et al., U.S. Design Application entitled "Portable Computer", U.S. Appl. No. 29/267,664, filed Oct. 18, 2006.

Nakagawa, U.S. Design Application entitled "Portable Computer", U.S. Appl. No. 29/267,665, filed Oct. 18, 2006.

Nakagawa, U.S. Design Application entitled "Portable Computer", U.S. Appl. No. 29/267,714, filed Oct. 18, 2006.

* cited by examiner

FIG. 1

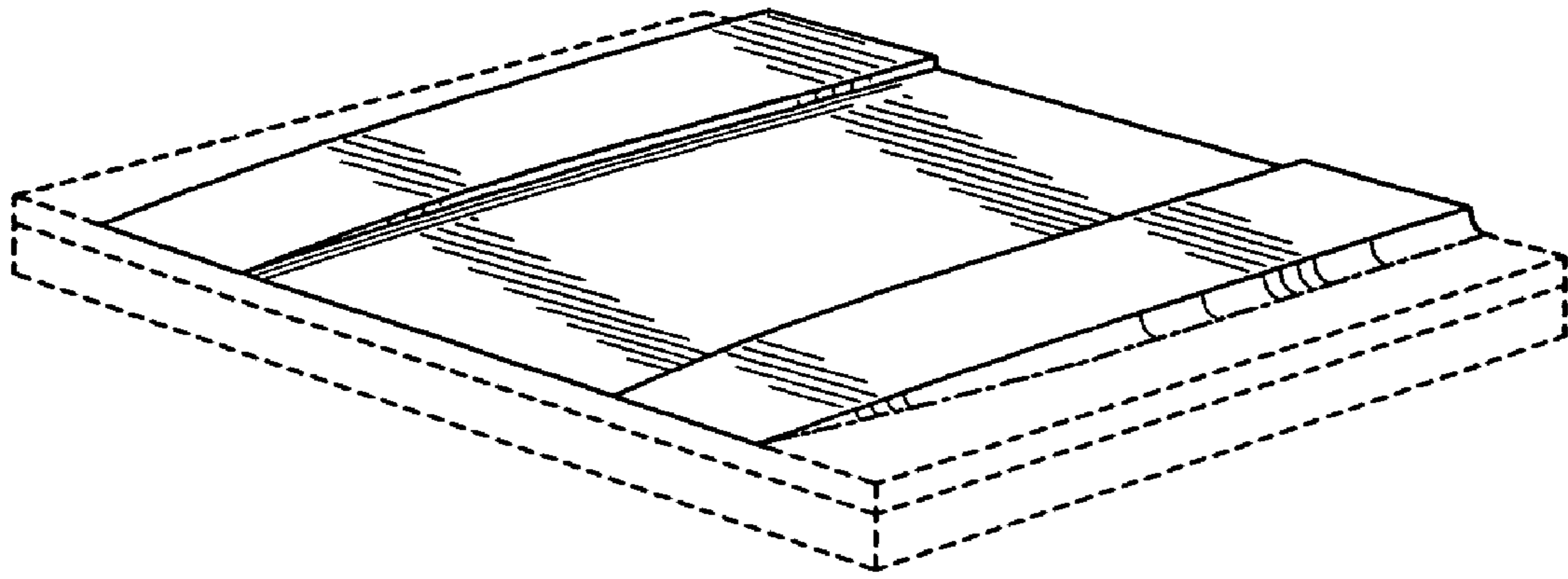


FIG. 2

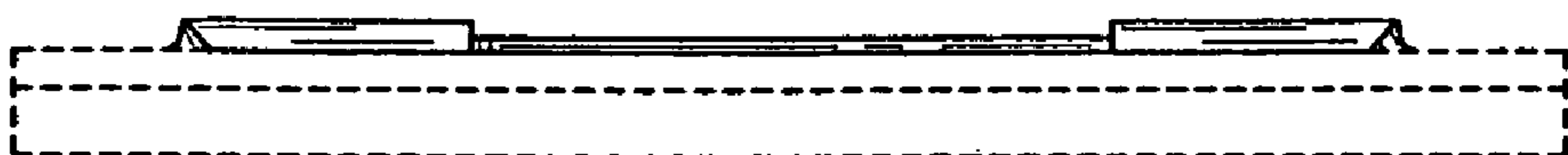


FIG. 3

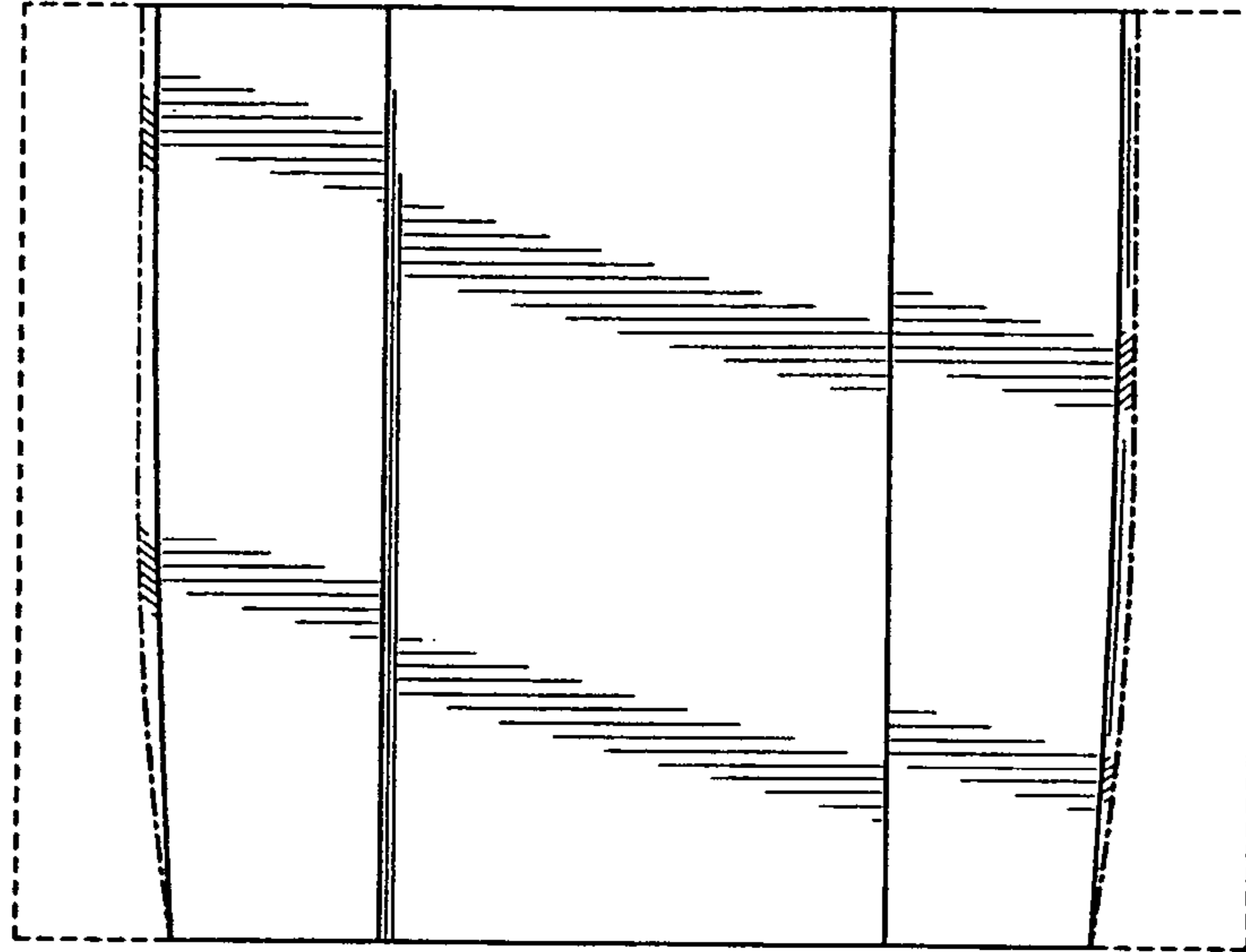


FIG. 4

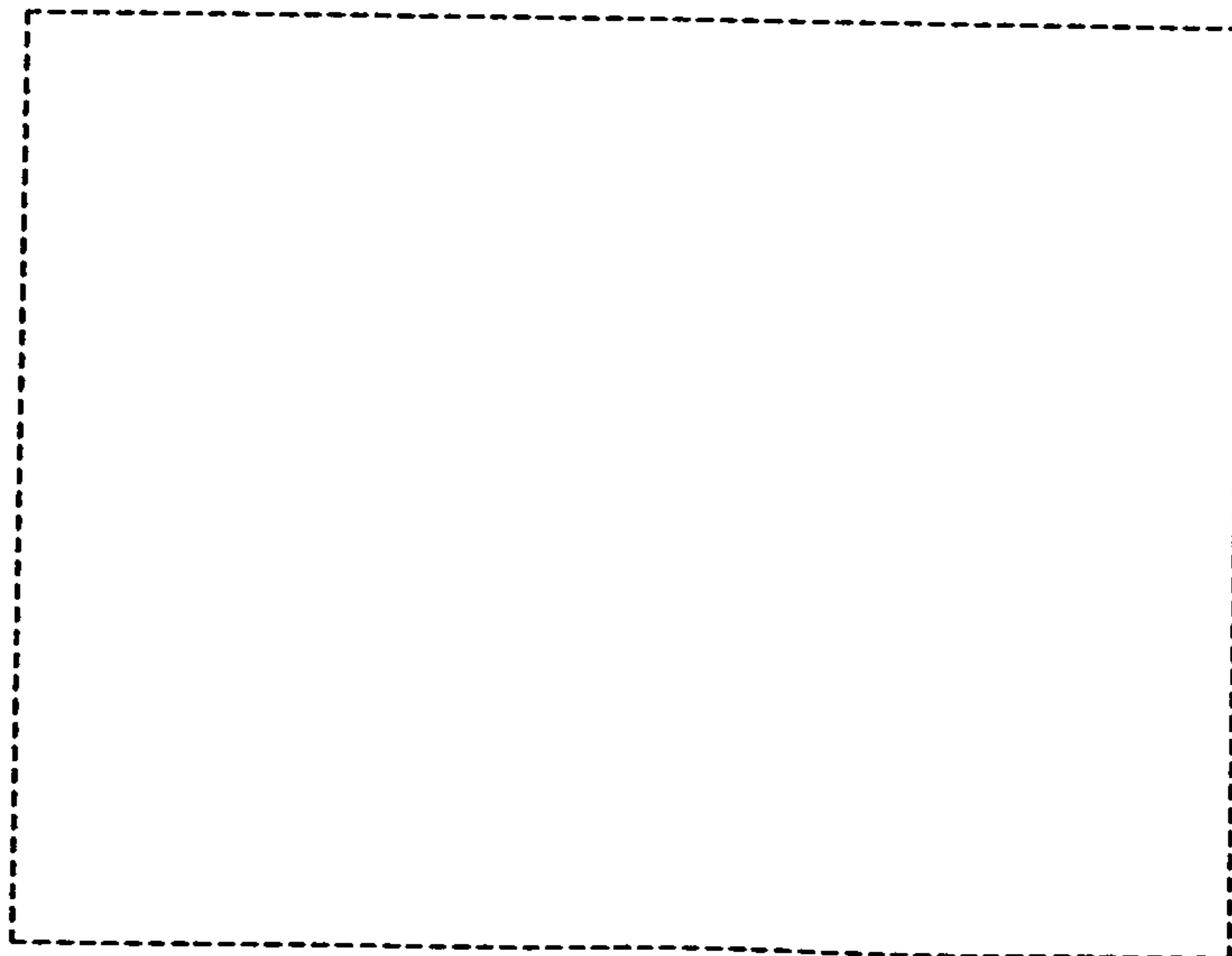


FIG. 5

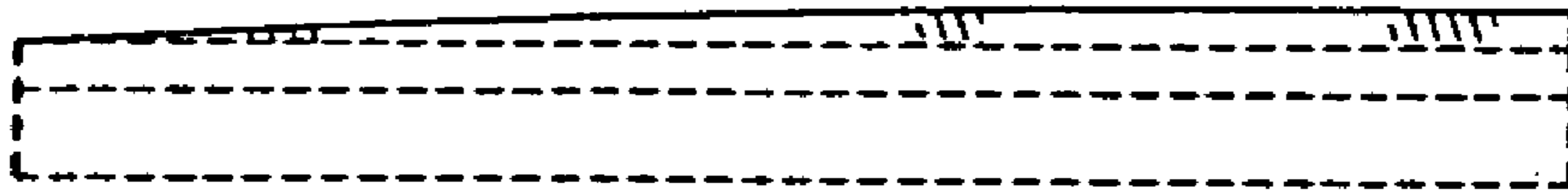


FIG. 6

