



US00D572706S

(12) **United States Design Patent**
Schaefer

(10) **Patent No.:** **US D572,706 S**
(45) **Date of Patent:** **** Jul. 8, 2008**

(54) **MICROPHONE**

(75) Inventor: **Michael Schaefer**, Vienna (AT)

(73) Assignee: **Harman International Industries, Incorporated**, Northridge, CA (US)

(**) Term: **14 Years**

(21) Appl. No.: **29/281,740**

(22) Filed: **Jun. 29, 2007**

(30) **Foreign Application Priority Data**

Jan. 12, 2007 (EM) 000650320

(51) **LOC (8) Cl.** **14-01**

(52) **U.S. Cl.** **D14/225; D14/223**

(58) **Field of Classification Search** D14/138,
D14/188, 192, 205–206, 223, 249; 379/430–434,
379/419; 181/129–130, 135; 381/375–381,
381/385, 328, 91, 369; 455/569.1, 575.1,
455/575.2; 128/866

See application file for complete search history.

(56) **References Cited**

U.S. PATENT DOCUMENTS

2,504,307 A * 4/1950 Dalton 381/91
3,830,988 A * 8/1974 Mol et al. 379/419
3,934,100 A * 1/1976 Harada 181/135
4,449,236 A * 5/1984 Walker, Jr. 381/91
D340,932 S * 11/1993 Yan D14/249
D487,077 S * 2/2004 Obata D14/223

D519,107 S * 4/2006 Yang D14/223
7,068,803 B2 * 6/2006 Kuhlmann et al. 381/328
7,106,876 B2 * 9/2006 Santiago 381/369
D554,627 S * 11/2007 Gondo D14/223
D555,152 S * 11/2007 Wang D14/223
D557,689 S * 12/2007 Huang D14/223
D564,495 S * 3/2008 Sasaki D14/205

* cited by examiner

Primary Examiner—Paula A Greene

(74) *Attorney, Agent, or Firm*—Plumsea Law Group, LLC

(57) **CLAIM**

The ornamental design for a microphone, as shown and described.

DESCRIPTION

FIG. 1 is a perspective view of a microphone showing my new design;

FIG. 2 is a bottom plan view thereof;

FIG. 3 is a top plan view thereof;

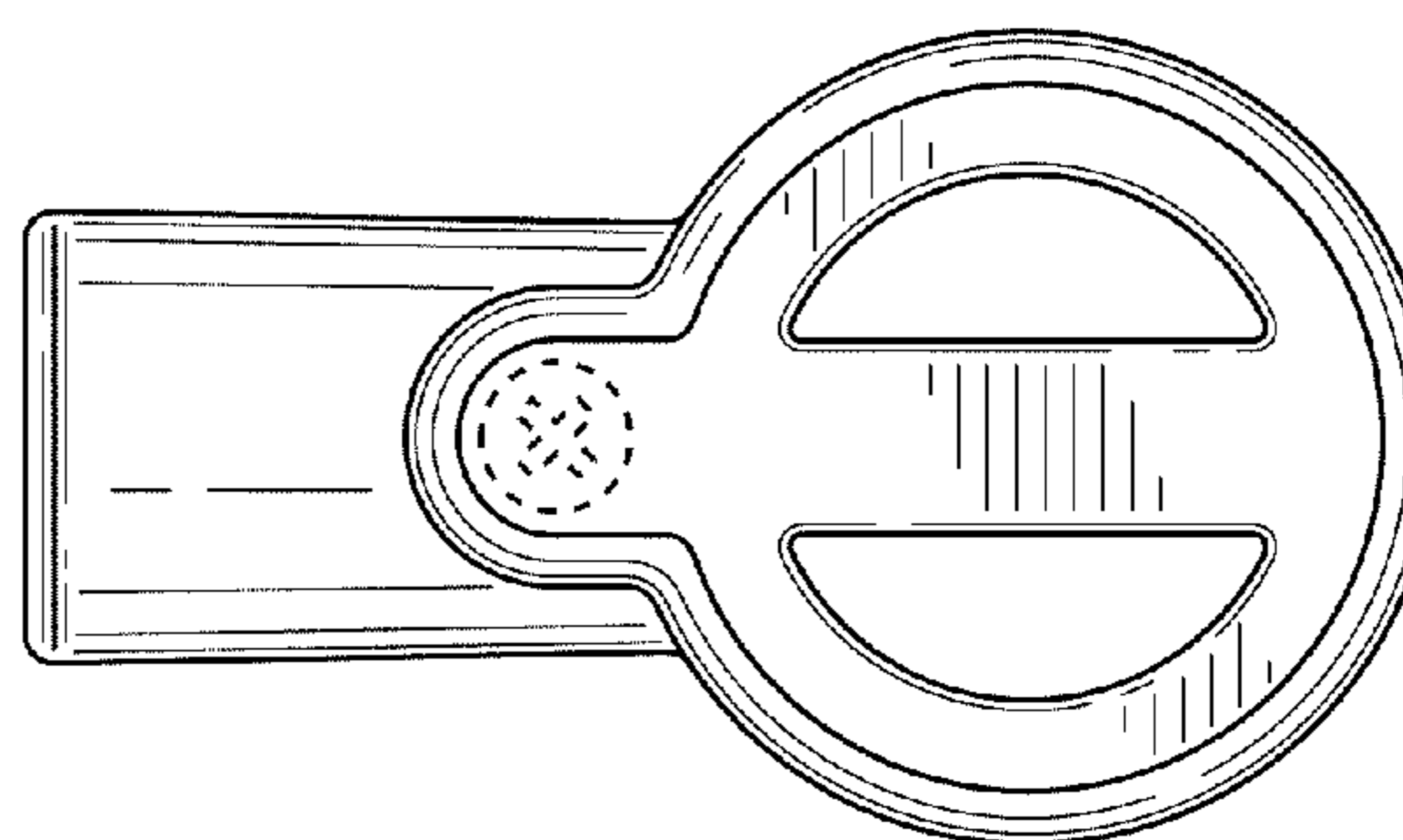
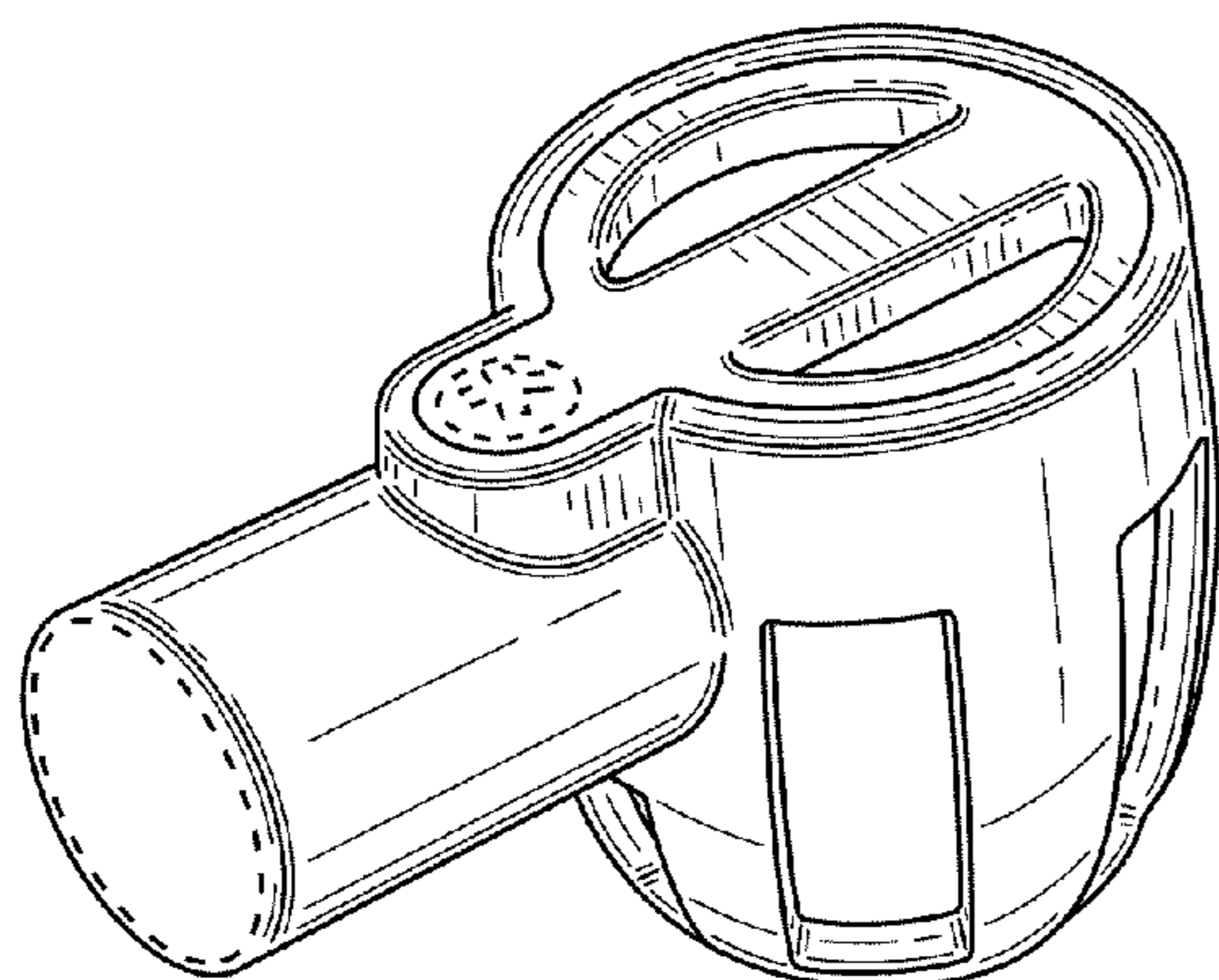
FIG. 4 is a side elevational view of one side thereof;

FIG. 5 is a side elevational view of the opposite side thereof; and,

FIG. 6 is an end elevational view.

The broken line showings of the circle and X on the top surface, and of the circle inside the tubular portion are for illustrative purposes only and form no part of the claimed design.

1 Claim, 2 Drawing Sheets



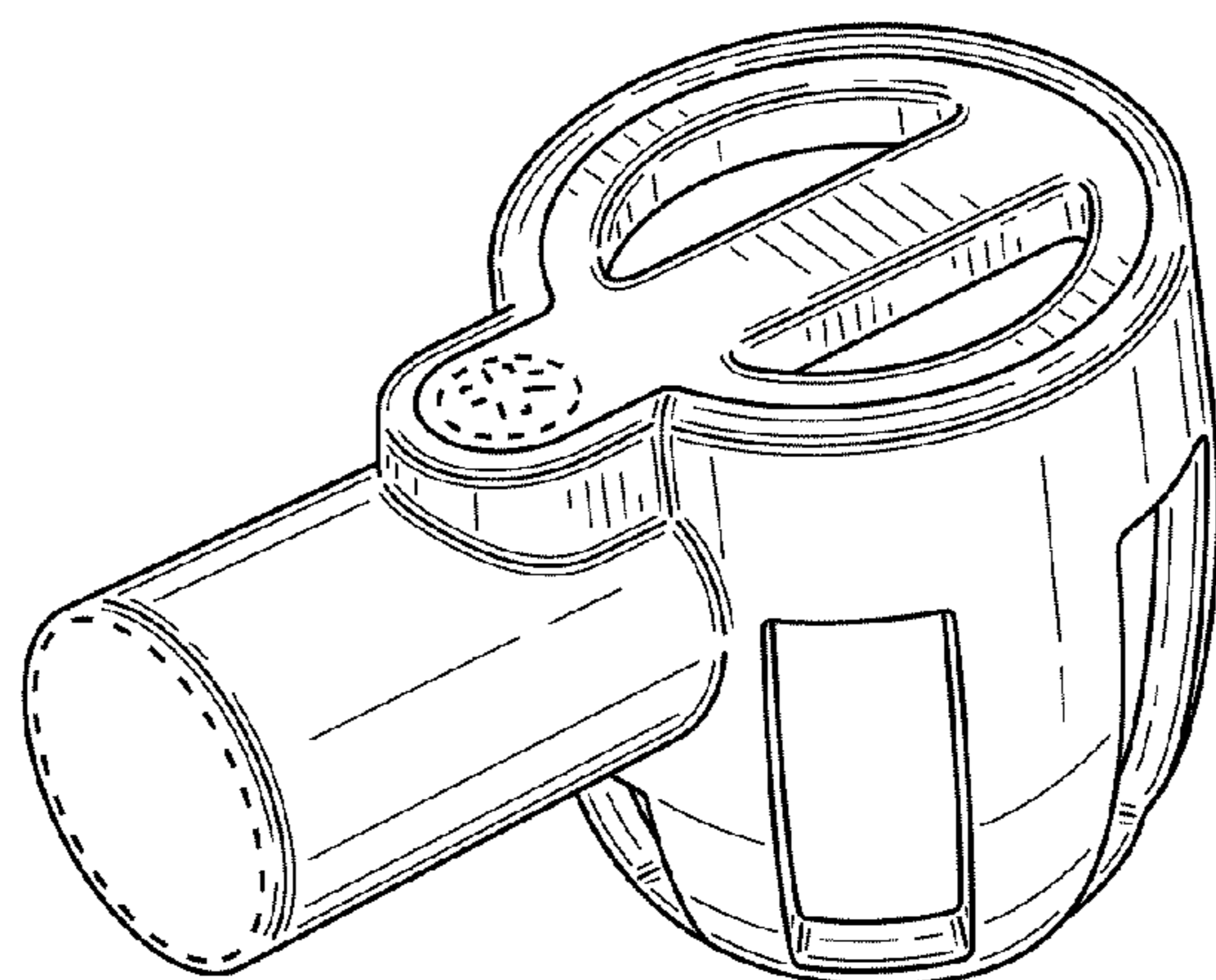


FIG. 1

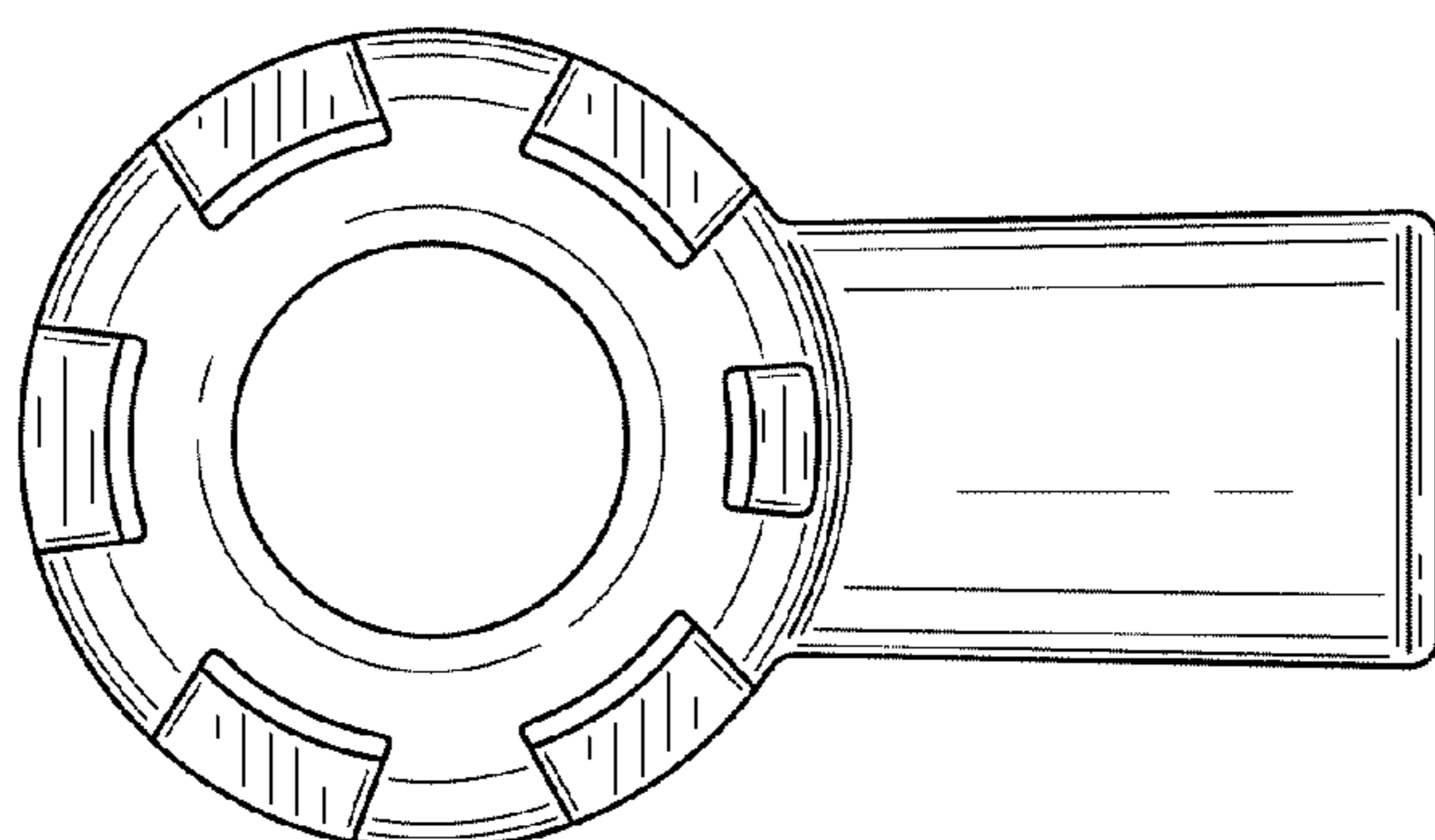


FIG. 2

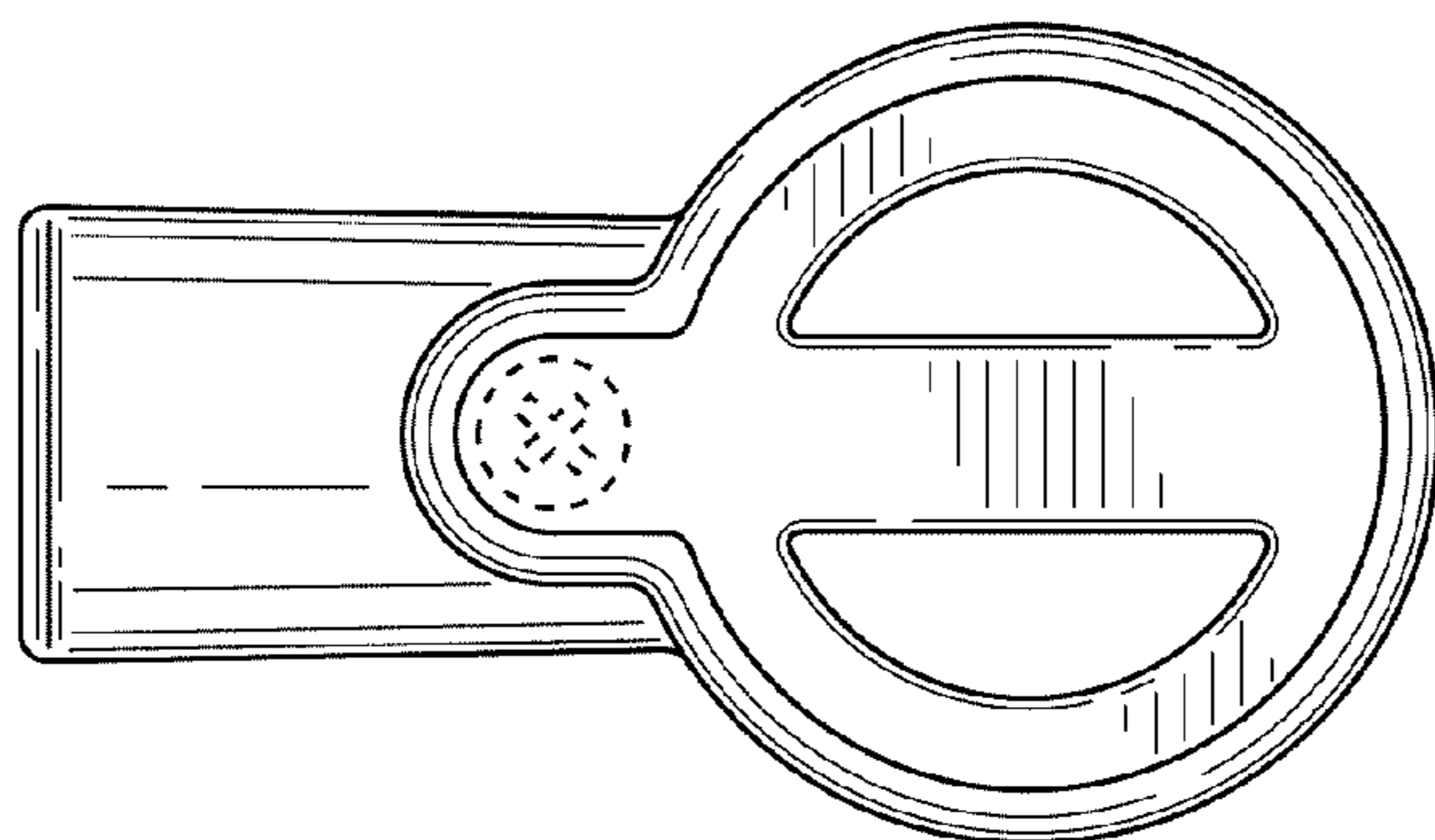


FIG. 3

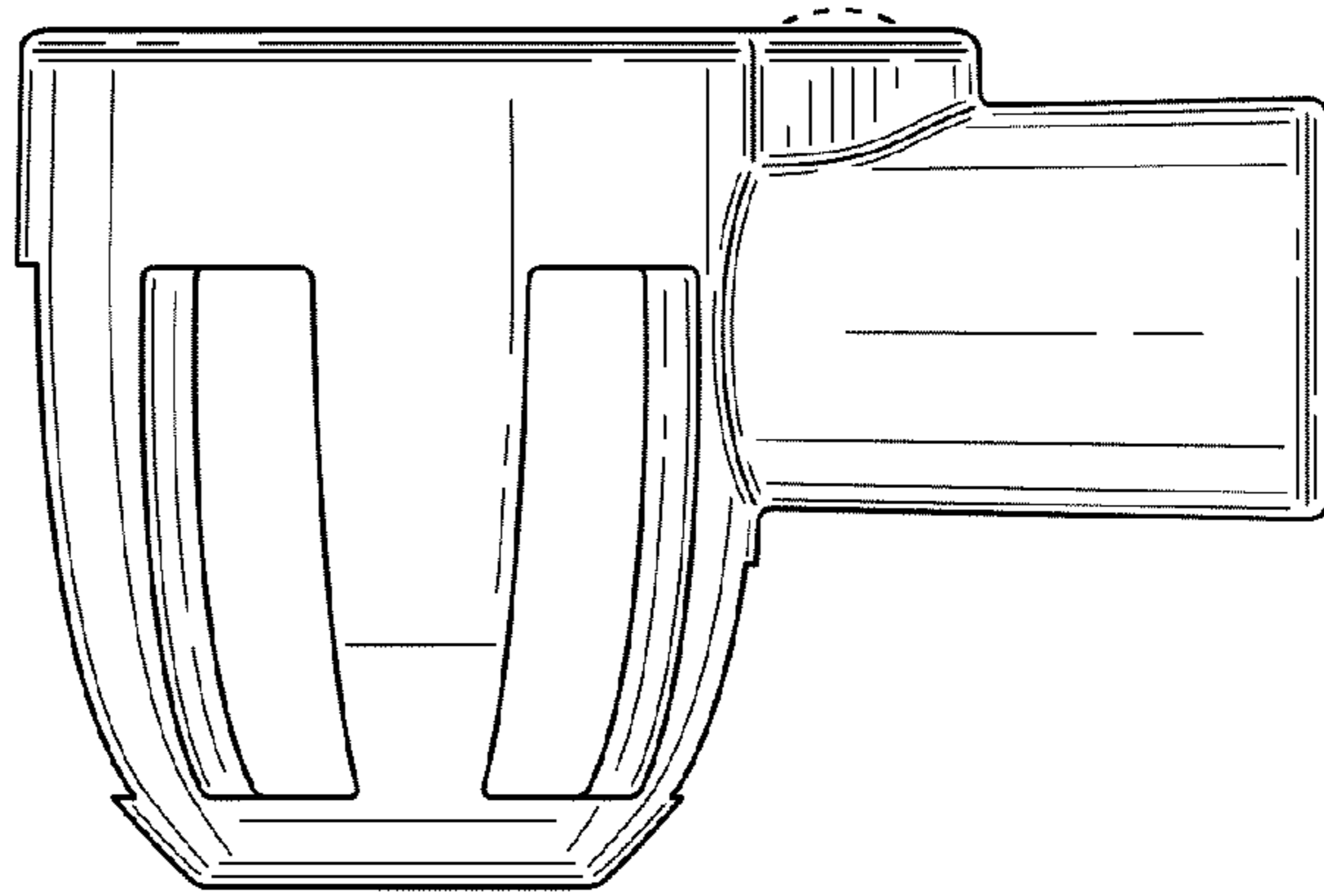


FIG. 4

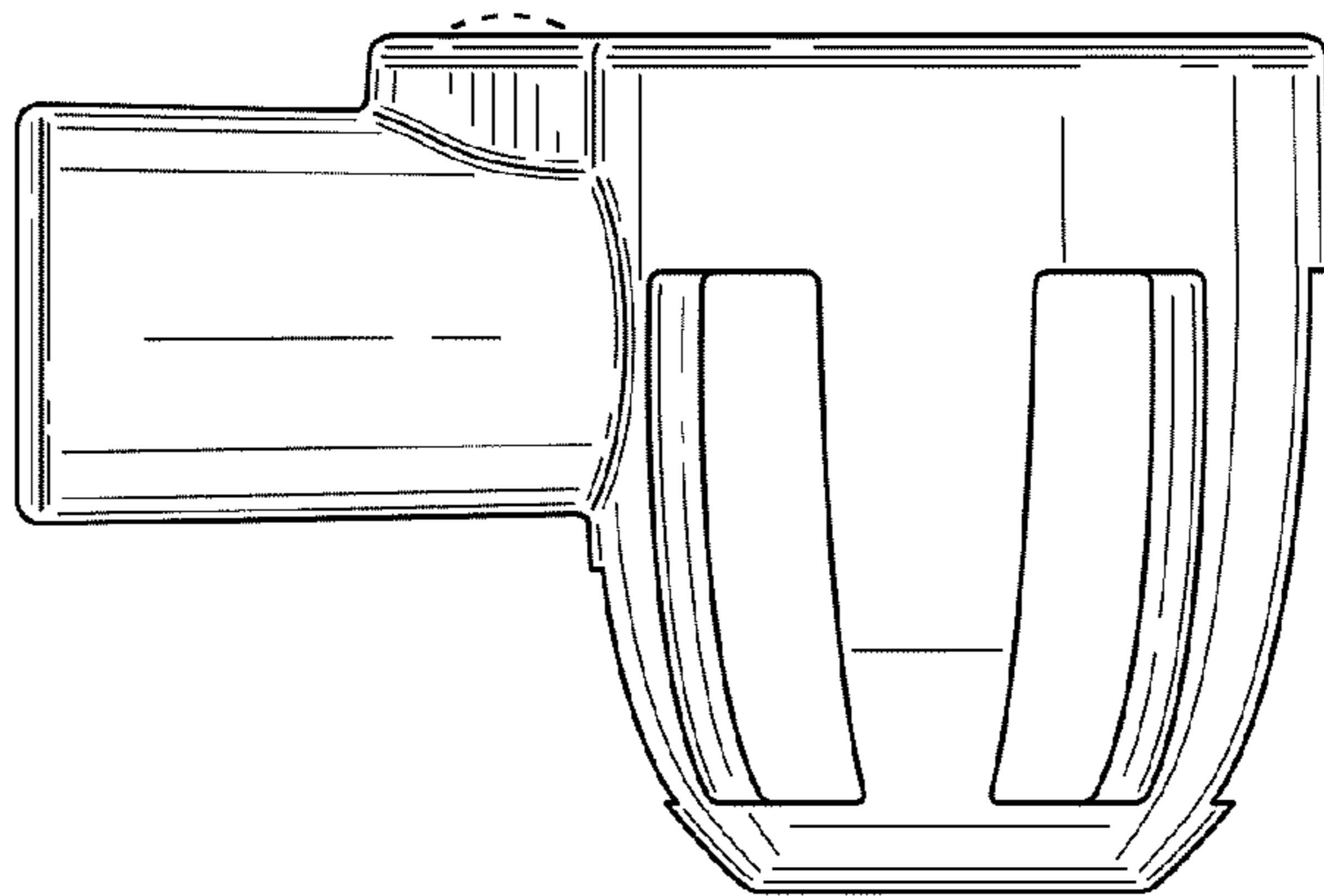


FIG. 5

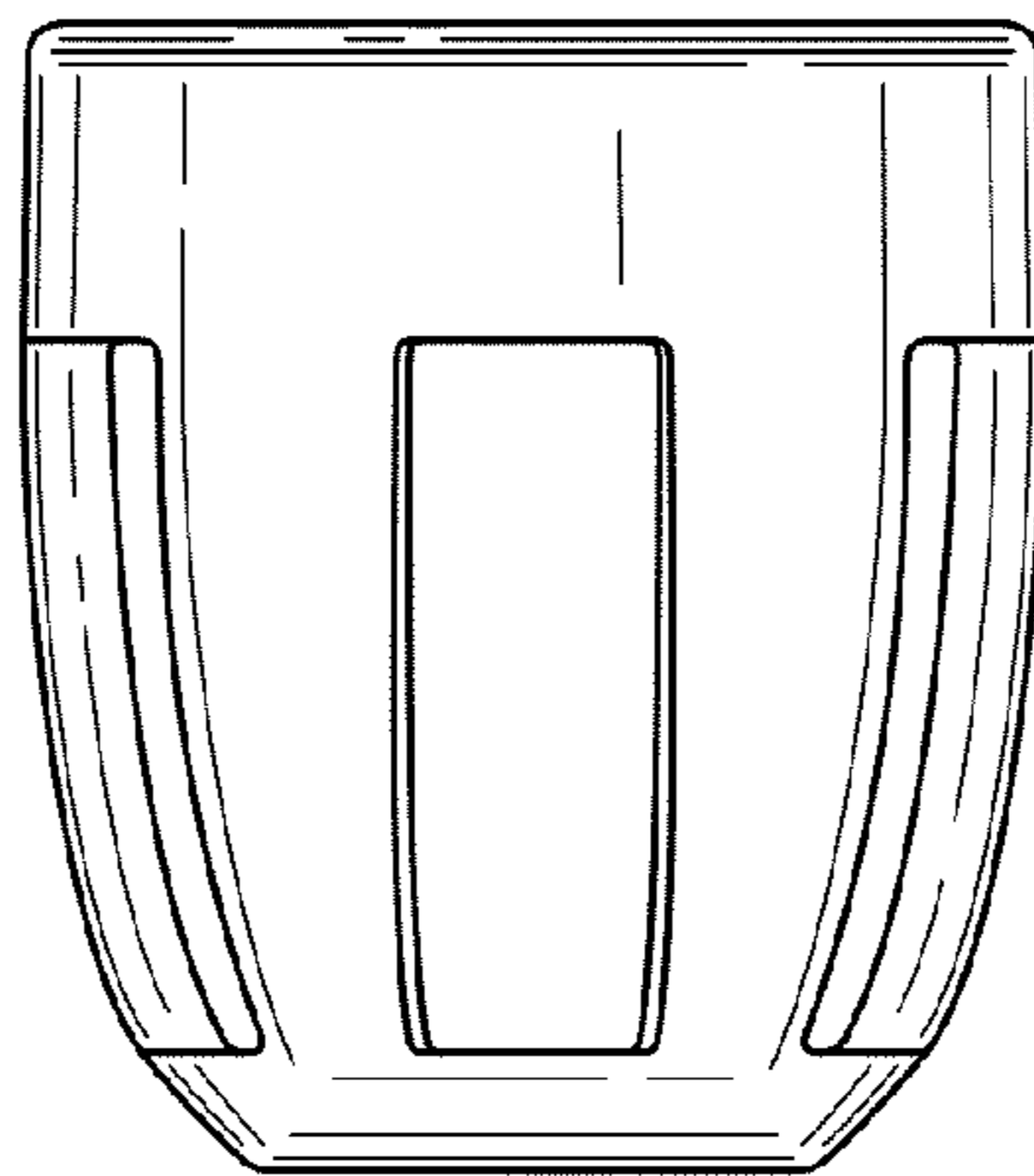


FIG. 6

UNITED STATES PATENT AND TRADEMARK OFFICE
CERTIFICATE OF CORRECTION

PATENT NO. : Des. 572,706 S
APPLICATION NO. : 29/281740
DATED : July 8, 2008
INVENTOR(S) : Michael Schaefer

Page 1 of 1

It is certified that error appears in the above-identified patent and that said Letters Patent is hereby corrected as shown below:

Title Page,

Item (73) Assignee: Change "Harman International Industries, Incorporated" to

--AKG Acoustics GmbH--

Signed and Sealed this

Eighth Day of December, 2009



David J. Kappos
Director of the United States Patent and Trademark Office