



US00D572703S

(12) **United States Design Patent**
Ledbetter et al.

(10) **Patent No.:** **US D572,703 S**
(45) **Date of Patent:** **** Jul. 8, 2008**

(54) **EAR PHONES**

(75) Inventors: **Carl J. Ledbetter**, Mercer Island, WA (US); **John Ikeda**, Seattle, WA (US); **John Dan Mabry**, Seattle, WA (US)

(73) Assignee: **Microsoft Corporation**, Redmond, WA (US)

(**) Term: **14 Years**

(21) Appl. No.: **29/248,488**

(22) Filed: **Aug. 17, 2006**

(51) **LOC (8) Cl.** **14-01**

(52) **U.S. Cl.** **D14/205**

(58) **Field of Classification Search** D14/142, D14/168, 188, 192, 205, 206, 249; 181/129-130, 181/131, 135, 149; 379/430, 433; 381/328, 381/370, 373, 374, 380, 381, 385, 387; D24/174; 2/209; D29/112; 128/864, 866, 867
See application file for complete search history.

(56) **References Cited**

U.S. PATENT DOCUMENTS

2,506,490 A * 5/1950 Coley 181/132
D340,932 S * 11/1993 Yan D14/249
D474,171 S * 5/2003 Suzuki D14/206
D487,077 S * 2/2004 Obata D14/223
D519,107 S * 4/2006 Yang D14/223

D519,108 S * 4/2006 Yang D14/223
D554,627 S * 11/2007 Gondo D14/223
D556,741 S * 12/2007 Yeo D14/223
D564,495 S * 3/2008 Sasaki D14/205

* cited by examiner

Primary Examiner—Paula A Greene

(74) *Attorney, Agent, or Firm*—Banner & Witcoff, Ltd.

(57) **CLAIM**

The ornamental design for ear phones, as shown and described.

DESCRIPTION

FIG. 1 is a front perspective view of ear phones showing our new design;

FIG. 2 is a front view thereof, the rear view being a mirror image thereof;

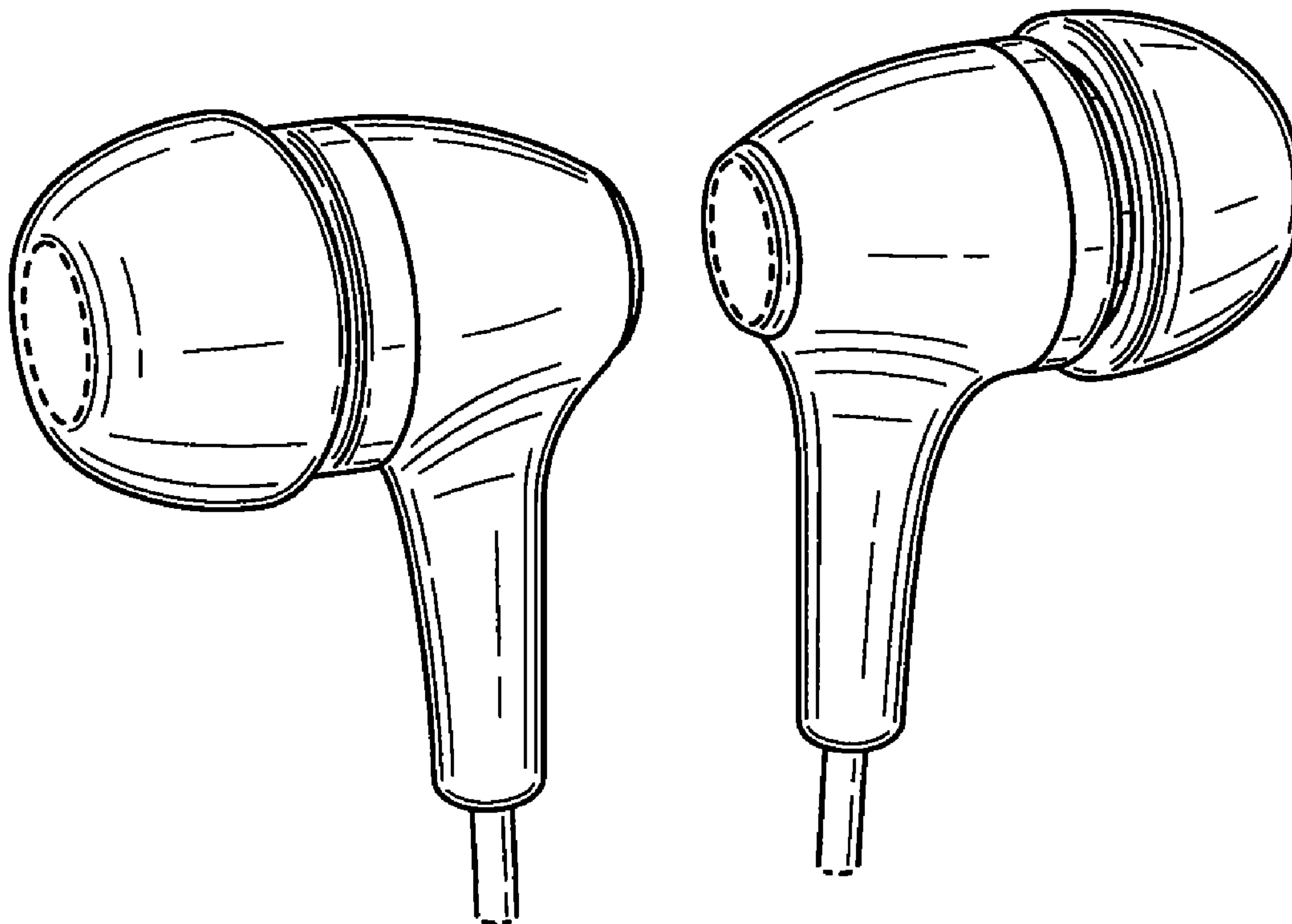
FIG. 3 is a lateral view an ear phone of FIG. 1 thereof shown separately for purposes of illustration;

FIG. 4 is a medial view of an ear phone of FIG. 1 thereof shown separately for purposes of illustration;

FIG. 5 is a top view thereof of the ear phones in FIG. 1; and, FIG. 6 is a bottom view thereof.

The broken line showing of various regions in the Figures, including the unshaded areas therein, is for illustrative purposes only and forms no part of the claimed design.

1 Claim, 3 Drawing Sheets



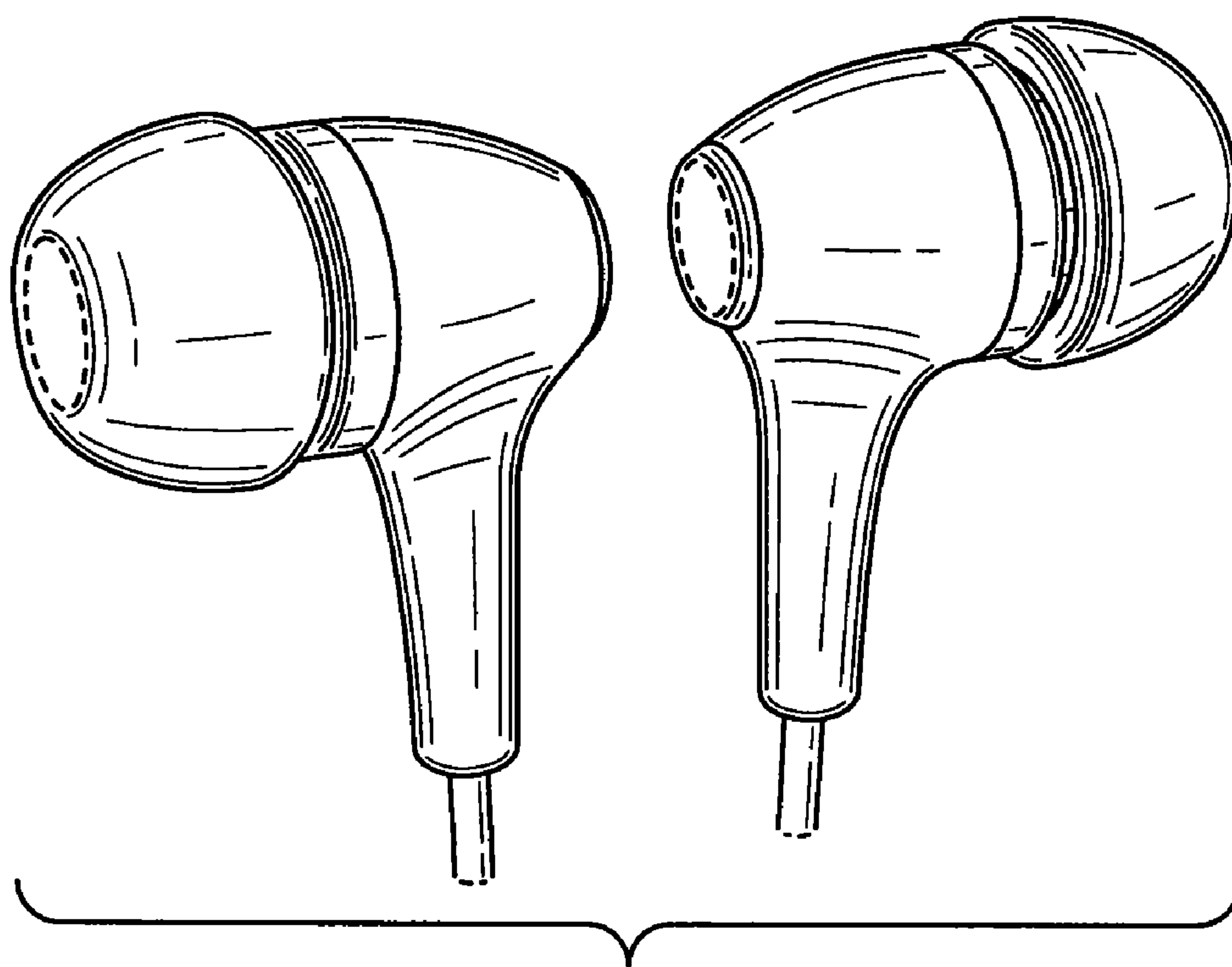


FIG. 1

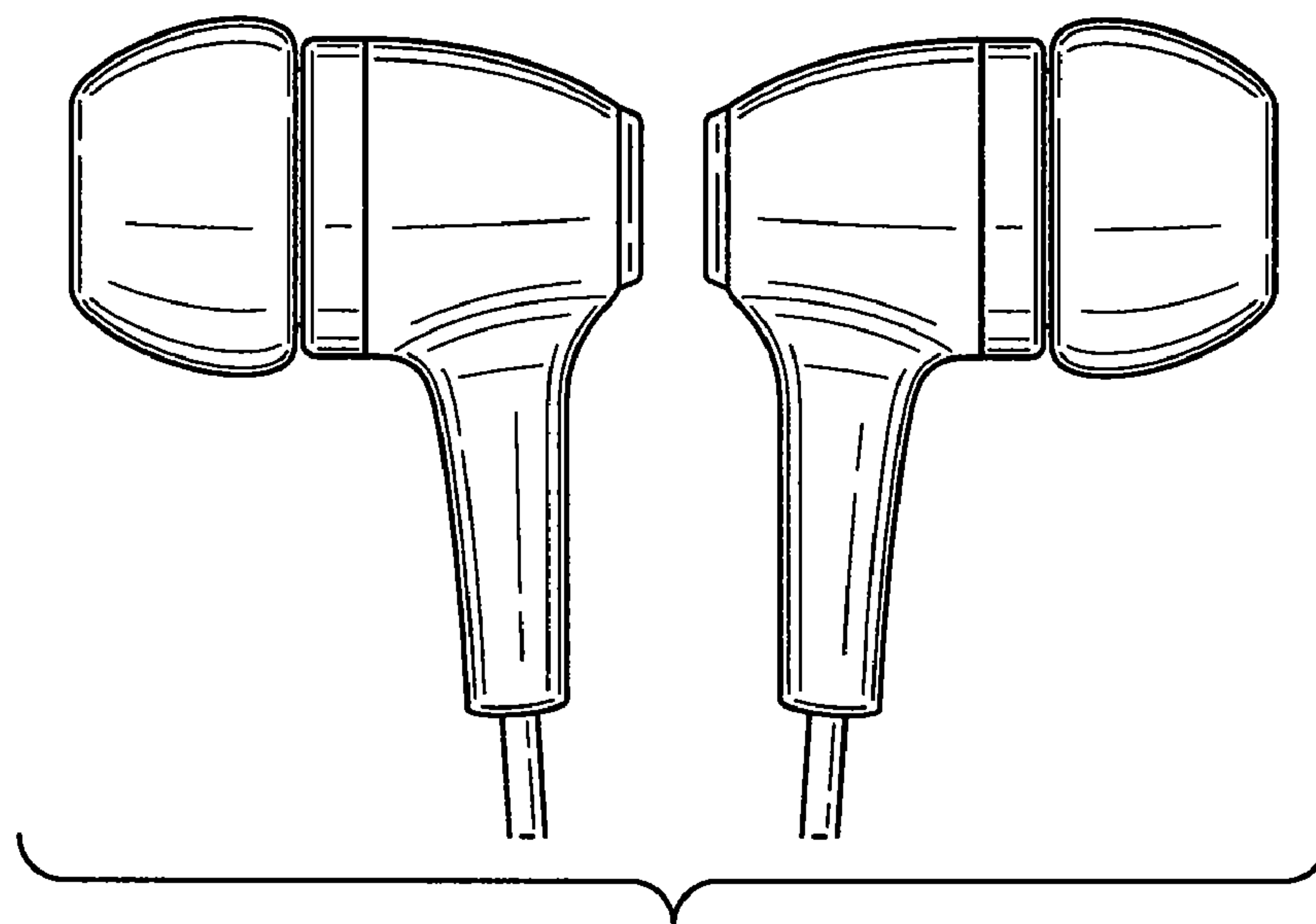


FIG. 2

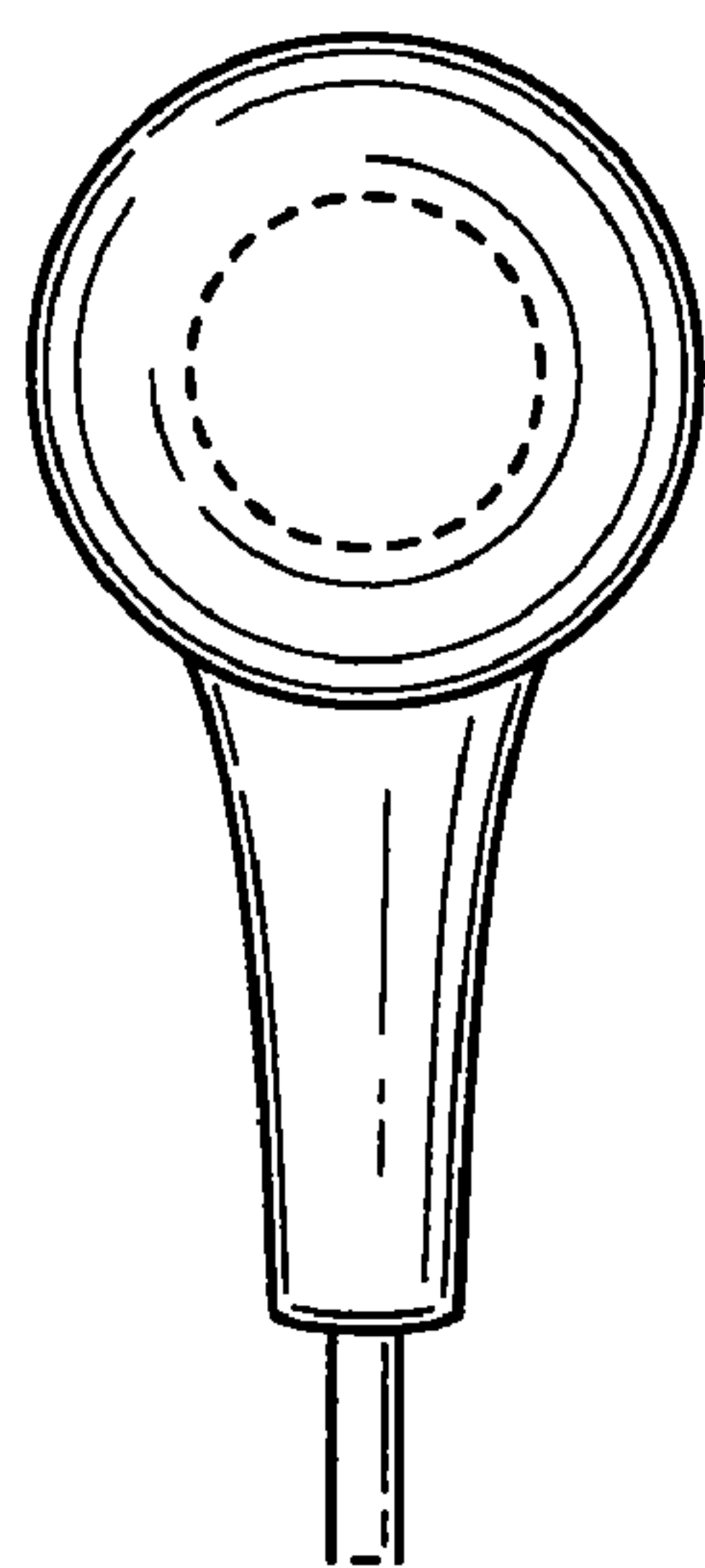


FIG. 3

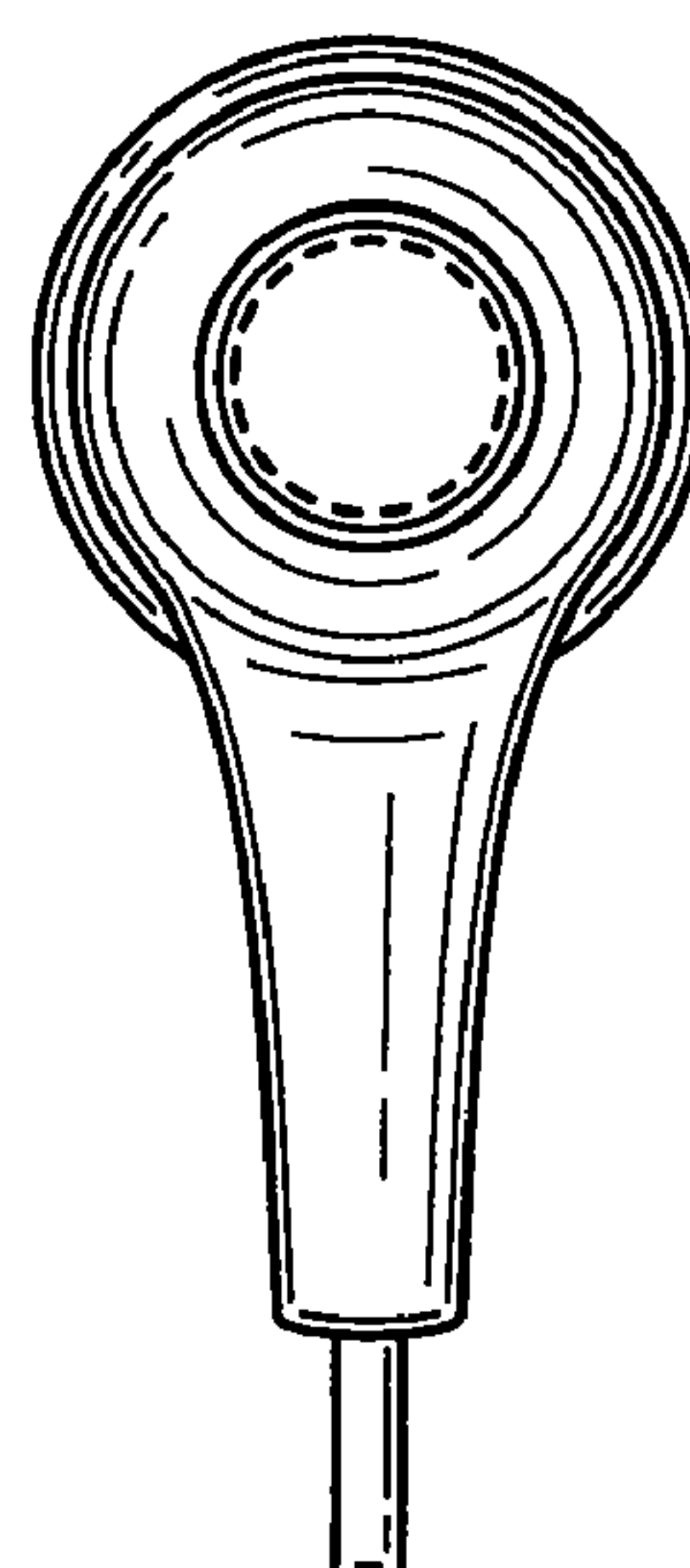


FIG. 4

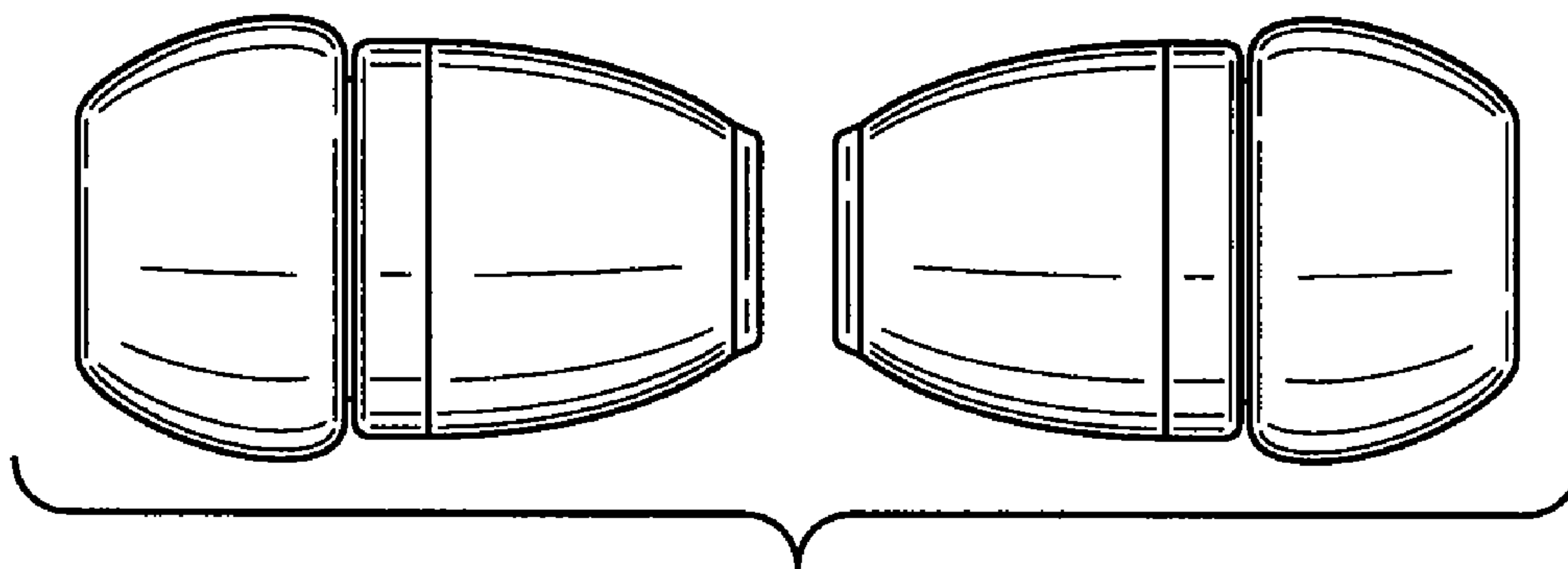


FIG. 5

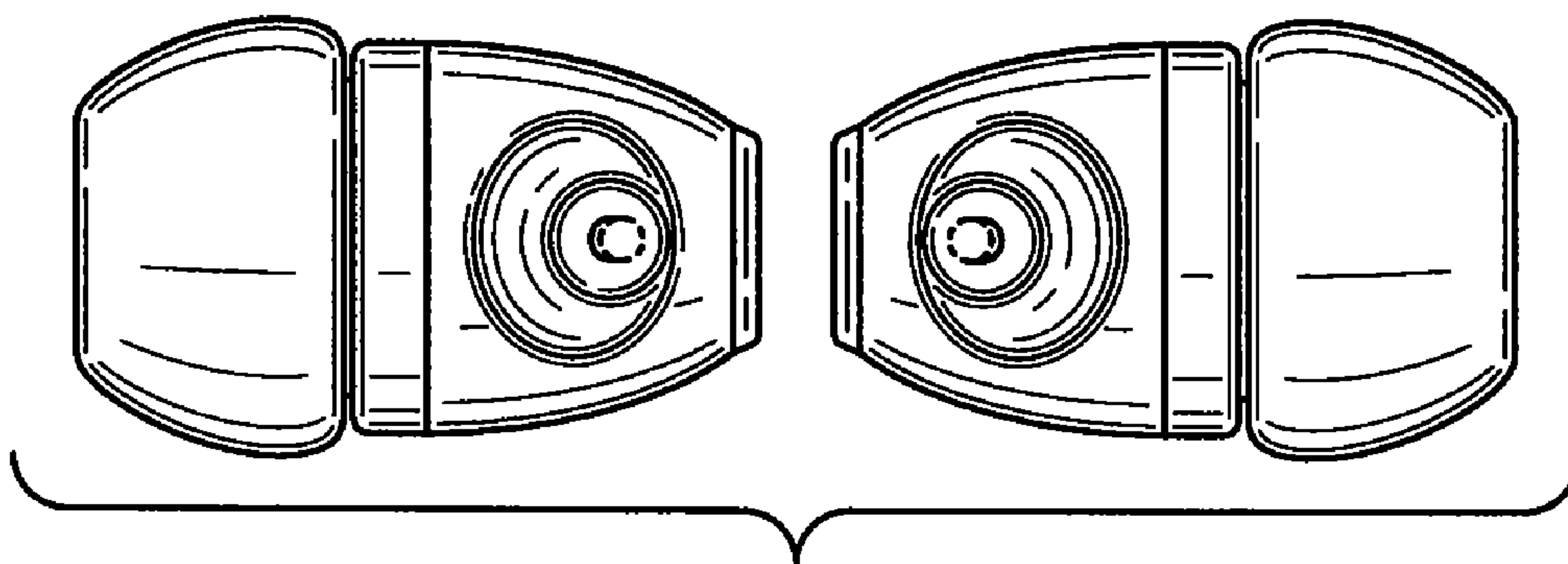


FIG. 6