



US00D572702S

(12) **United States Design Patent**
Bart

(10) **Patent No.:** **US D572,702 S**
(45) **Date of Patent:** **** Jul. 8, 2008**

(54) **ALARM CLOCK RADIO**

(75) Inventor: **Gary F. Bart**, Weston, FL (US)

(73) Assignee: **Xtreme Accessories, LLC**, Weston, FL (US)

(**) Term: **14 Years**

(21) Appl. No.: **29/280,403**

(22) Filed: **May 25, 2007**

(51) **LOC (8) Cl.** **14-03**

(52) **U.S. Cl.** **D14/171**

(58) **Field of Classification Search** D14/137,
D14/155, 156, 168, 170, 171, 188, 193–198,
D14/210, 212, 214, 217, 496; D10/1, 2,
D10/15; 312/7.1; 455/91, 95, 100, 128,
455/344, 347, 350, 351; 369/6–12

See application file for complete search history.

(56) **References Cited**

U.S. PATENT DOCUMENTS

D351,595 S *	10/1994	Furui	D14/168
D354,523 S *	1/1995	Hiraoka et al.	D21/324
D381,983 S *	8/1997	Nagai	D14/168
D418,138 S *	12/1999	Miyazaki	D14/214
D422,590 S *	4/2000	Kloss	D14/194
D505,951 S *	6/2005	Garcia	D14/349
D544,497 S *	6/2007	Kindle et al.	D14/496
D551,205 S *	9/2007	Ichikawa	D14/188
D556,732 S *	12/2007	Chan	D14/170
D560,657 S *	1/2008	Langberg et al.	D14/214

OTHER PUBLICATIONS

2 page printout of a website describing iWake clock radio for iPod—Mi4004 (www.memorelectronics.com).

42 page printout of a Mi4004 Suffix A—User’s Guide titled “iWake Clock Radio with Dual Alarm” in English and Spanish (www.memorelectronics.com).

* cited by examiner

Primary Examiner—Stella M. Reid

Assistant Examiner—Keli L Acker

(74) *Attorney, Agent, or Firm*—Husch Blackwell Sanders LLP

(57) **CLAIM**

The ornamental design for an alarm clock radio, as shown and described.

DESCRIPTION

FIG. 1 is a right perspective view of the alarm clock radio with a portable media player attached showing my new design;

FIG. 2 is a front elevational view of the alarm clock radio of FIG. 1 with a portable media player attached;

FIG. 3 is a rear elevational view of the alarm clock radio of FIG. 1 with a portable media player attached;

FIG. 4 is a left elevational view of the alarm clock radio of FIG. 1 with a portable media player attached;

FIG. 5 is a right elevational view of the alarm clock radio of FIG. 1 with a portable media player attached;

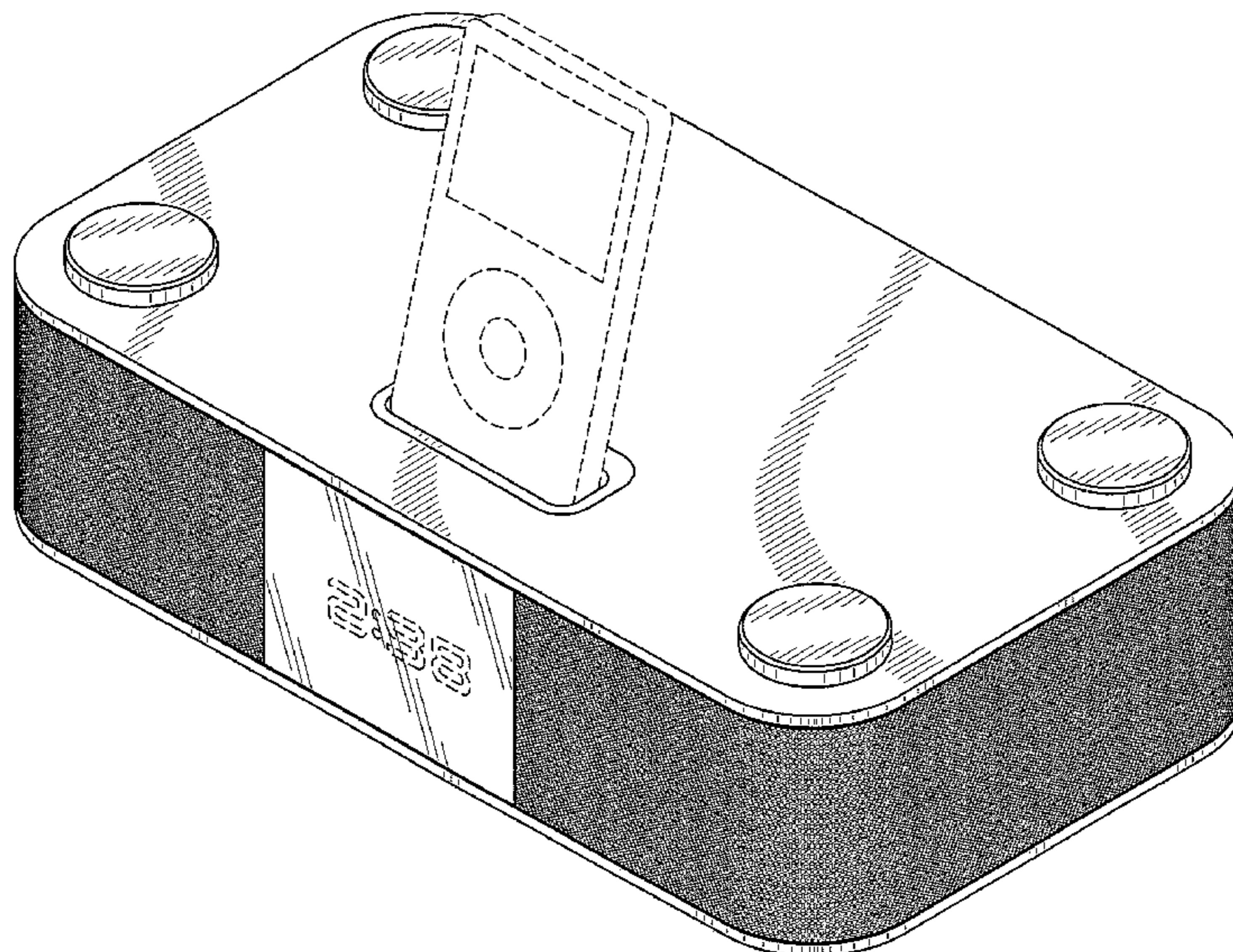
FIG. 6 is a top plan view of the alarm clock radio of FIG. 1 with a portable media player attached;

FIG. 7 is a bottom plan view of the alarm clock radio of FIG. 1; and,

FIG. 8 is a right perspective view of the alarm clock radio of FIG. 1.

The broken line showing of the portable media player, arbitrary time and connector port is included for the purpose of illustrating environmental structure and forms no part of the claimed design.

1 Claim, 8 Drawing Sheets



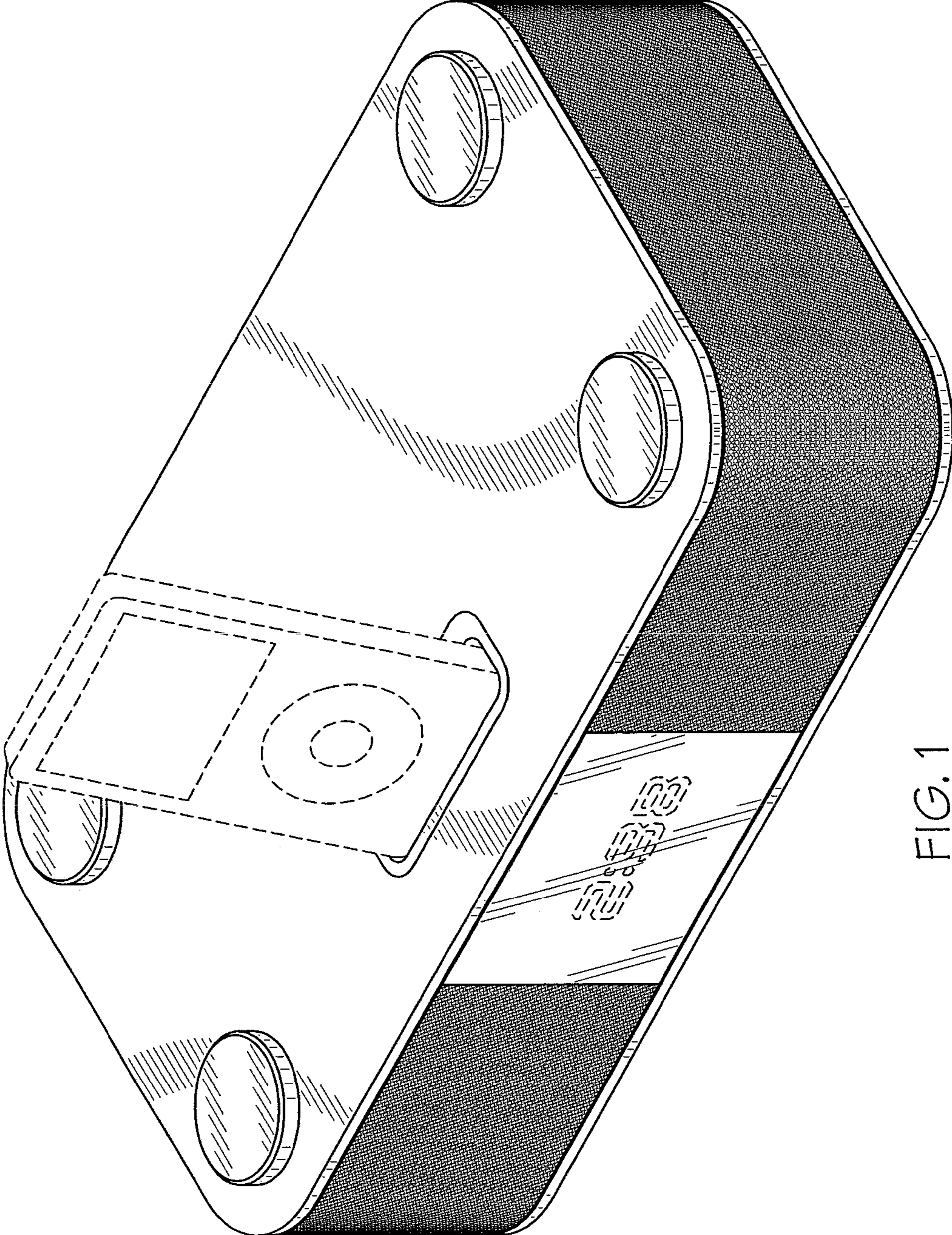


FIG. 1

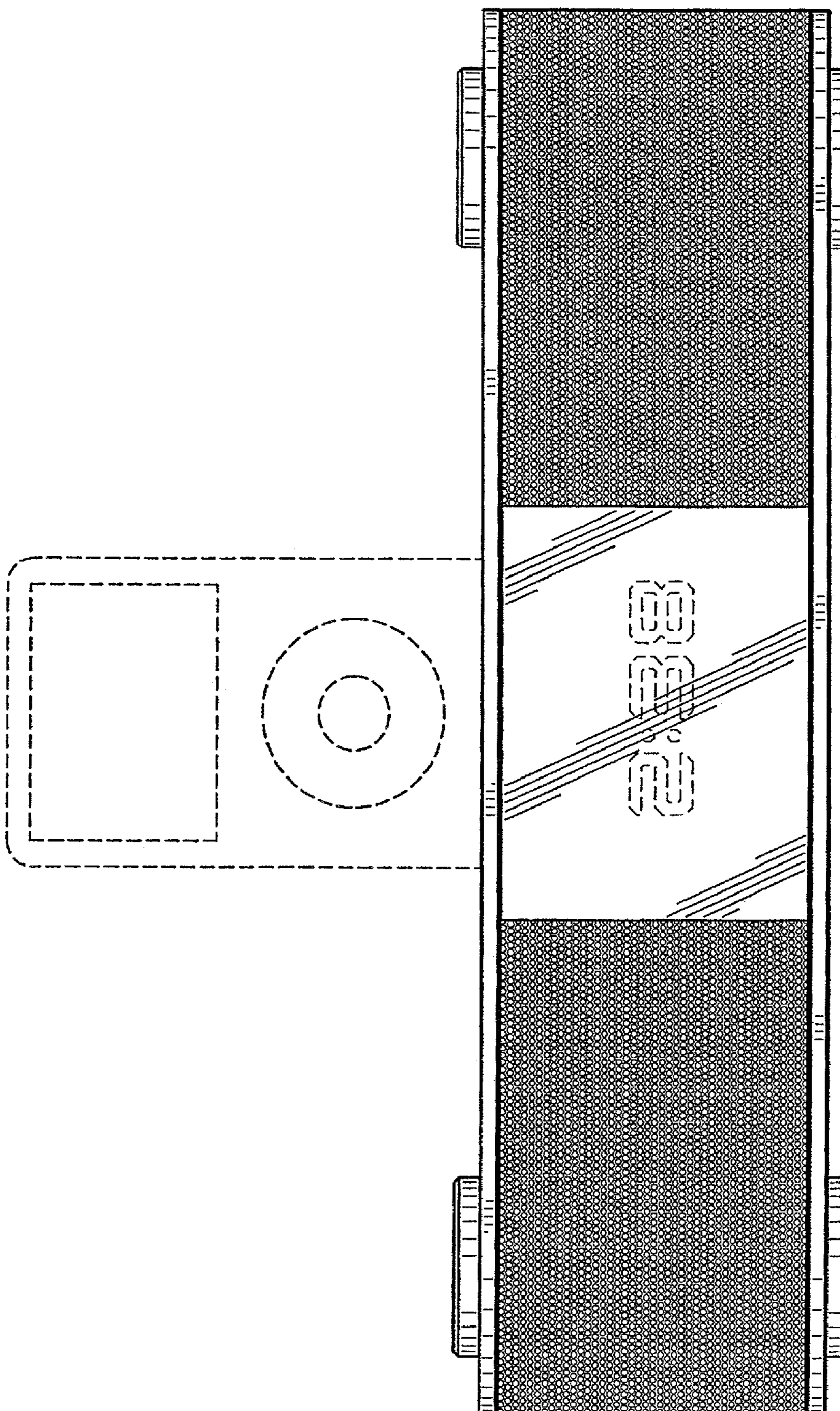


FIG. 2

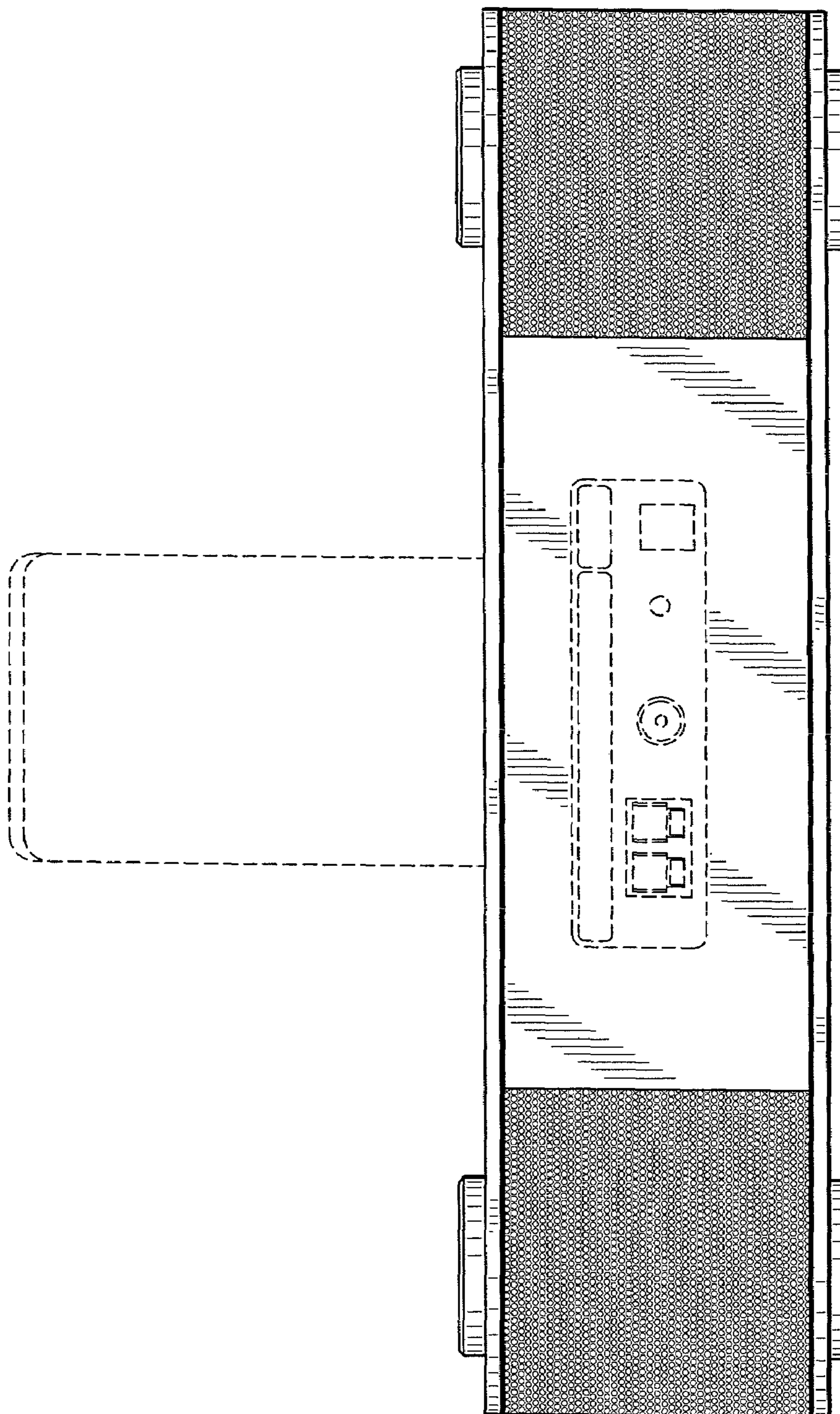


FIG. 3

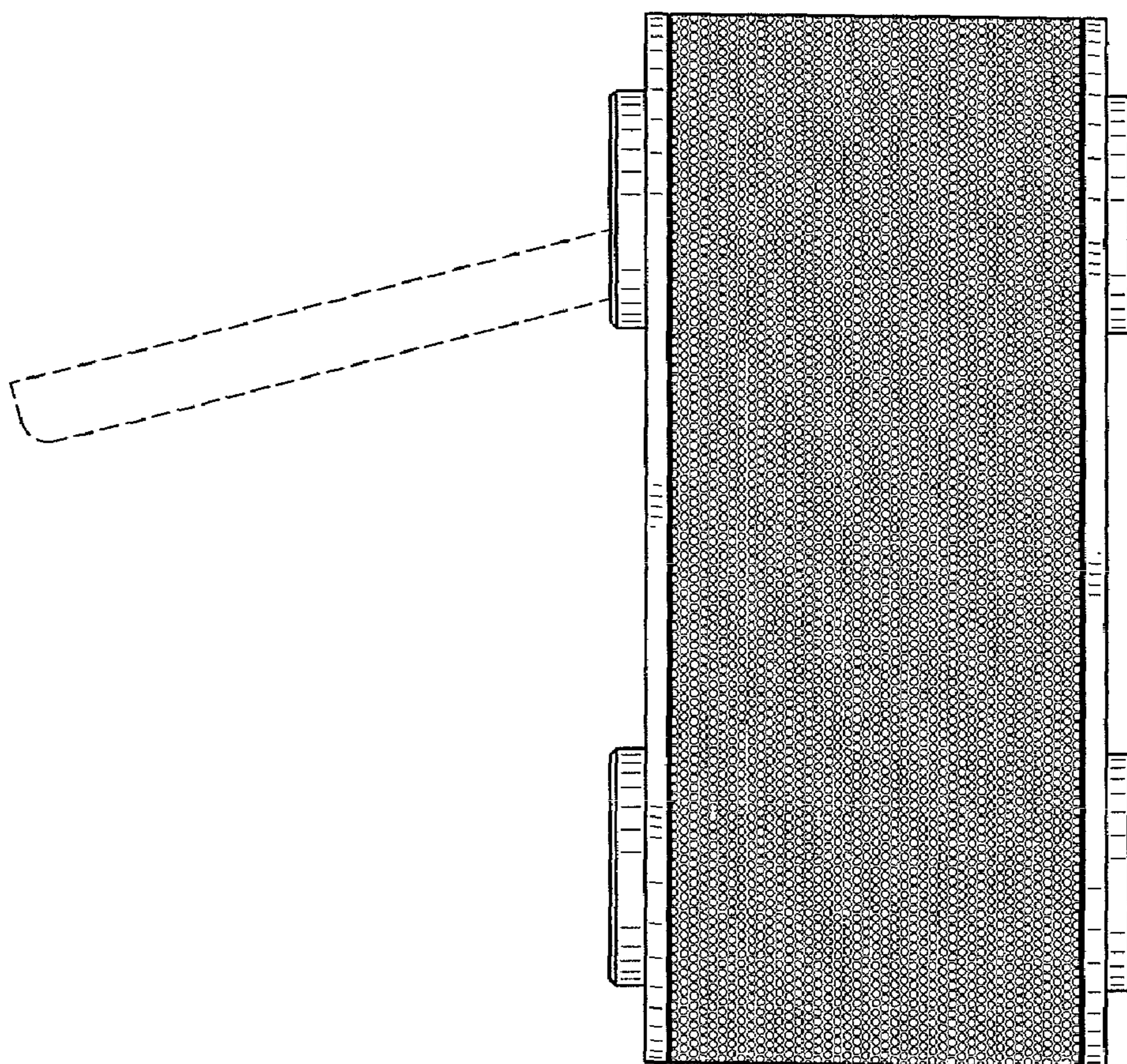


FIG. 4

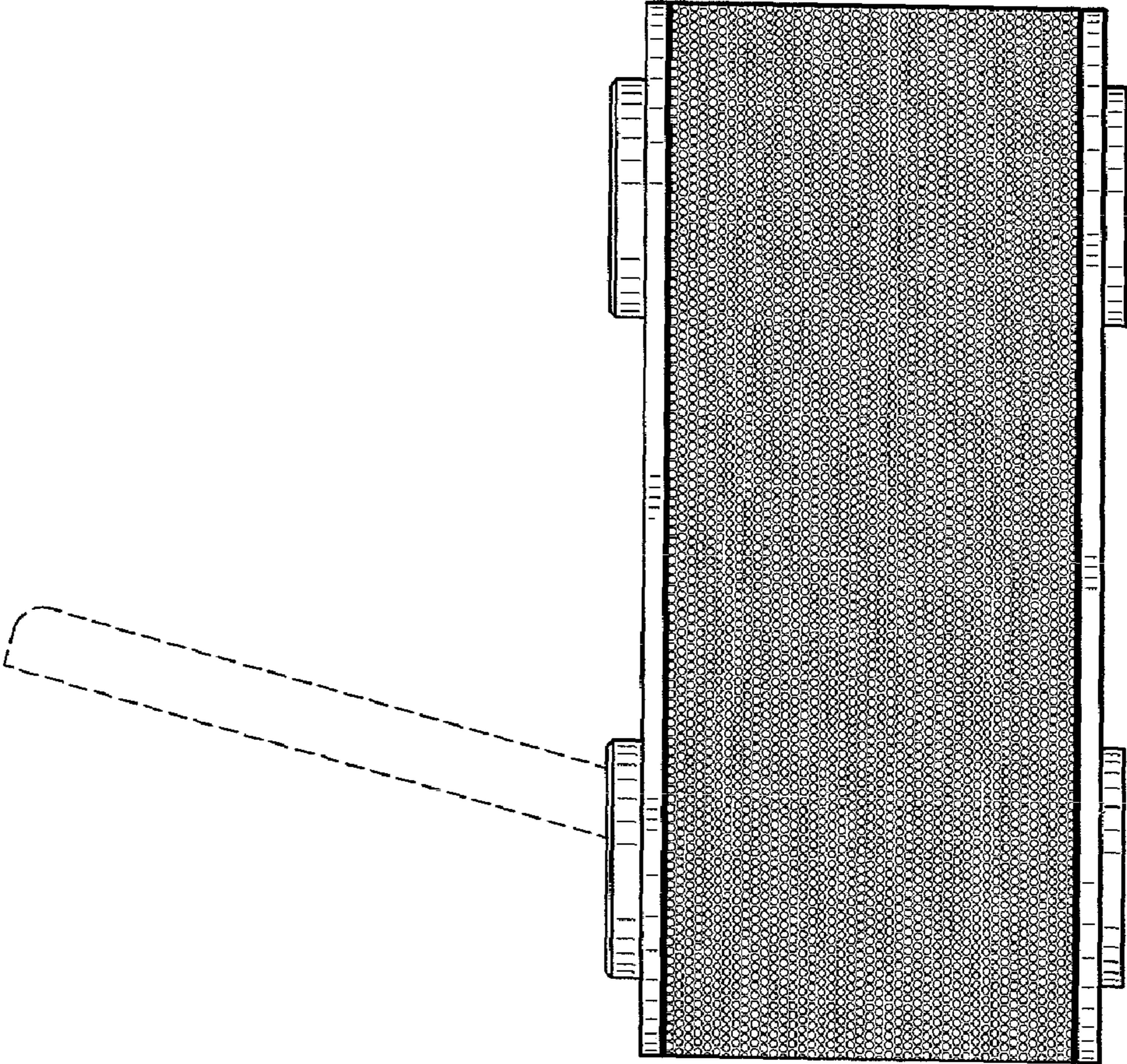


FIG. 5

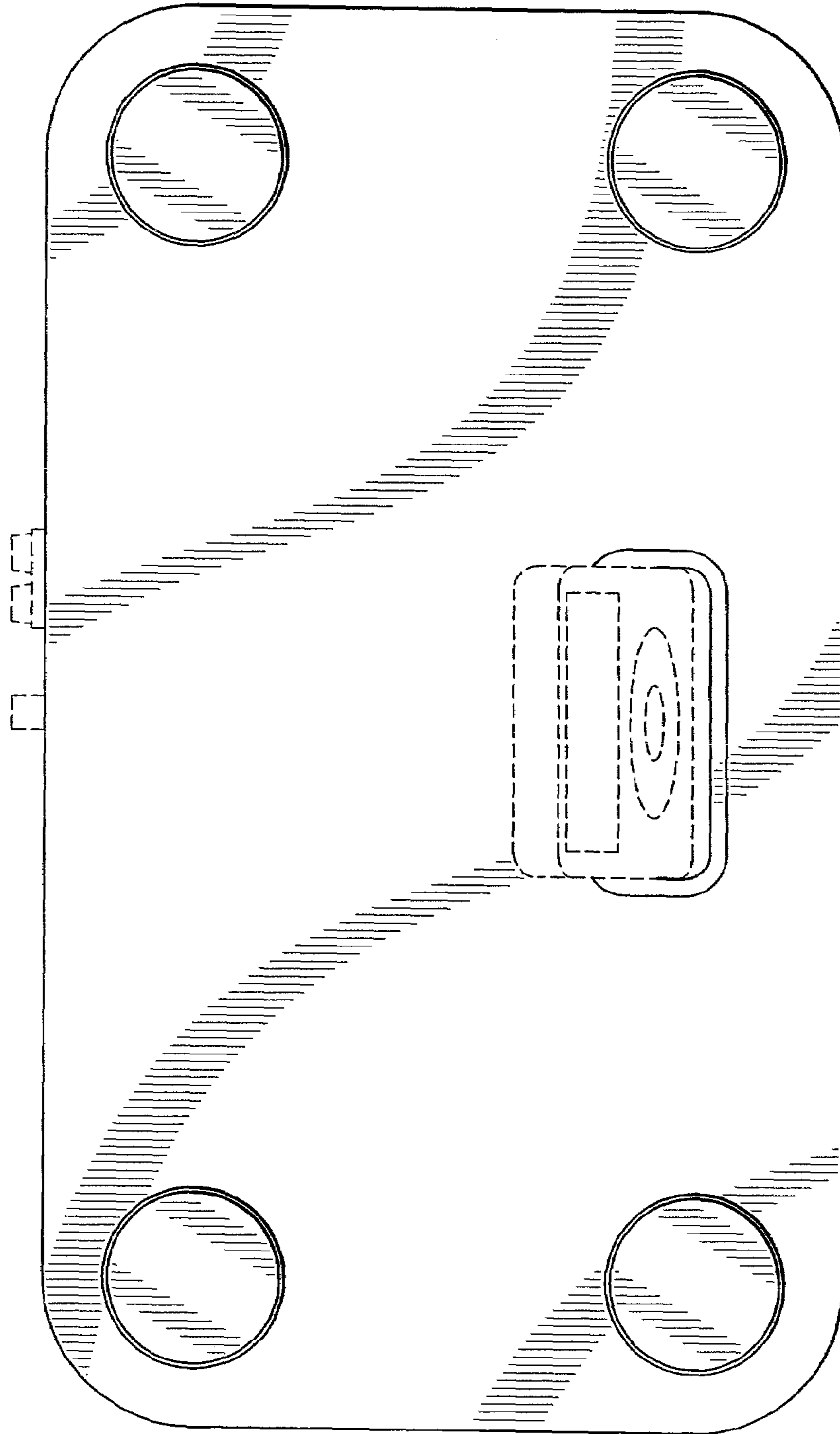


FIG. 6

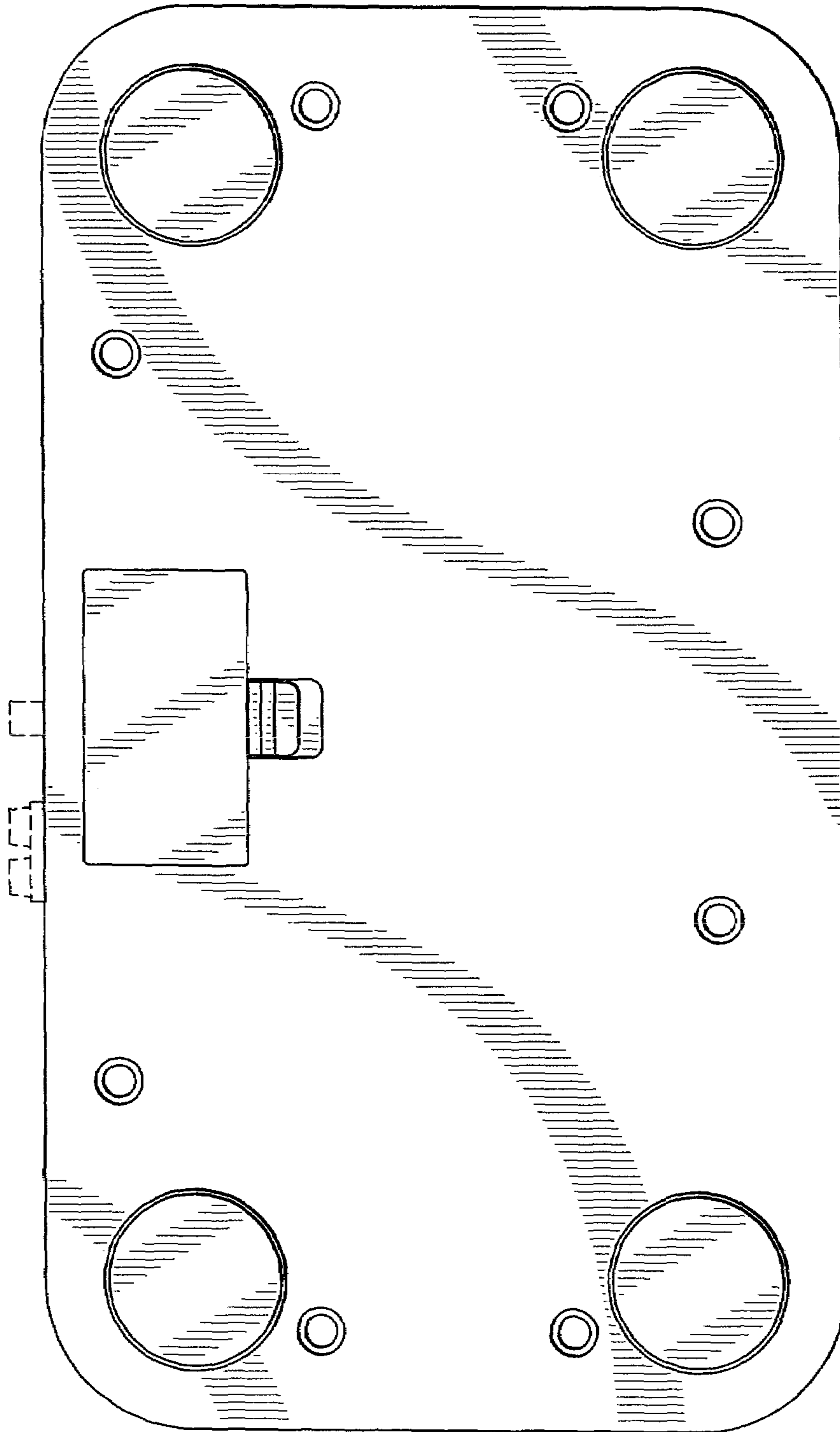


FIG. 7

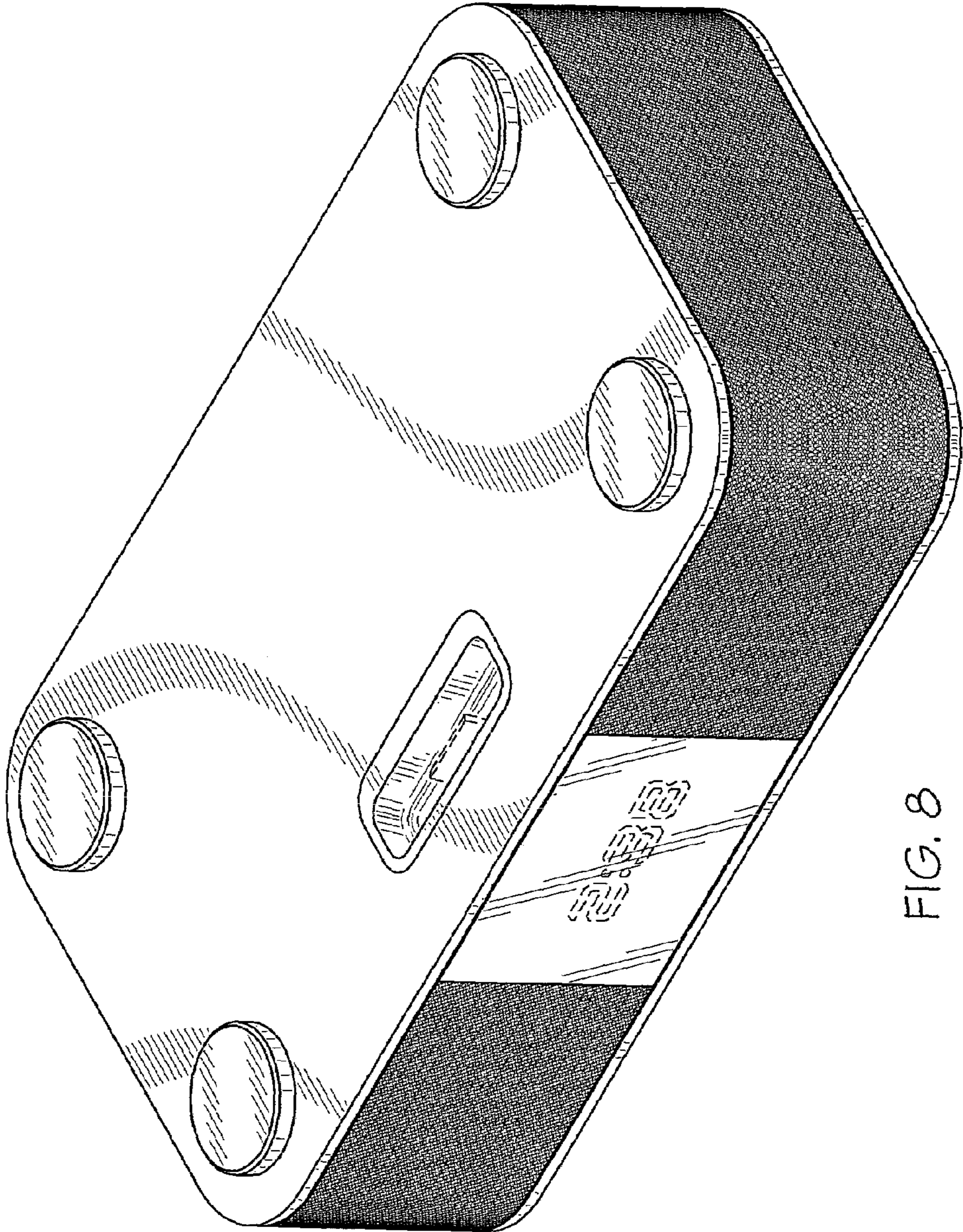


FIG. 8