



US00D572701S

(12) **United States Design Patent**  
**Tani**

(10) **Patent No.:** **US D572,701 S**  
(45) **Date of Patent:** **\*\* Jul. 8, 2008**

(54) **TELEPHONE**

(75) Inventor: **Atsushi Tani**, Kadoma (JP)

(73) Assignee: **Matsushita Electric Industrial Co., Ltd.**, Osaka (JP)

(\*\*) Term: **14 Years**

(21) Appl. No.: **29/296,469**

(22) Filed: **Oct. 22, 2007**

(30) **Foreign Application Priority Data**

Aug. 31, 2007 (JP) ..... 2007-023712

(51) **LOC (8) Cl.** ..... **14-03**

(52) **U.S. Cl.** ..... **D14/151**

(58) **Field of Classification Search** ..... D14/125–130,  
D14/137, 140–142, 144, 146–151, 158–159,  
D14/171, 188, 225–226, 240, 243, 250–253,  
D14/329–330, 357, 434, 471, 496; 379/88.17,  
379/90.01, 93.17, 387.01, 388.02, 419–420.04,  
379/420.02, 428.01–428.04, 434–436, 440,  
379/446–447, 454–455; 381/16, 71.1; D13/107–108;  
191/12.2 R; 320/108, 110, 113–115; 455/411,  
455/550.1–90.3; 348/14.01–14.06

See application file for complete search history.

(56) **References Cited**

**U.S. PATENT DOCUMENTS**

D282,066 S *	1/1986	Menei et al.	.....	D14/151
D300,740 S *	4/1989	Sekiguchi et al.	.....	D14/151
D303,386 S	9/1989	Iino		
D307,430 S *	4/1990	Desbarats	.....	D14/151
5,121,427 A *	6/1992	Gumb et al.	.....	379/435
D330,028 S *	10/1992	Gagnon et al.	.....	D14/151
D352,943 S *	11/1994	Weidinger	.....	D14/151
D361,765 S *	8/1995	Bryant	.....	D14/151
D368,090 S *	3/1996	Zeitman	.....	D14/151
D368,091 S	3/1996	Yoshihiko et al.		
D375,094 S *	10/1996	Toh	.....	D14/151
D389,144 S *	1/1998	Hua	.....	D14/151

D404,732 S *	1/1999	Mason et al.	.....	D14/151
D412,171 S	7/1999	Girardi et al.		
D426,535 S *	6/2000	Zeitman	.....	D14/151
D427,985 S	7/2000	Takayama et al.		
D451,486 S	12/2001	Sekiguchi		
D457,151 S *	5/2002	Shintani	.....	D14/151
D460,954 S	7/2002	Shen et al.		
D489,049 S	4/2004	Weidinger		
D499,713 S	12/2004	Shibata et al.		
D529,477 S	10/2006	Hsu		
D530,303 S	10/2006	Tang		
D530,701 S	10/2006	West et al.		
D535,277 S	1/2007	Mamizuka et al.		
D536,328 S	2/2007	Chou et al.		
D537,065 S	2/2007	Chen		

\* cited by examiner

*Primary Examiner*—Ian Simmons

*Assistant Examiner*—Carla Wright

(74) *Attorney, Agent, or Firm*—Brinks Hofer Gilson & Lione

(57) **CLAIM**

I claim the ornamental design for a telephone, as shown and described.

**DESCRIPTION**

FIG. 1 is a top perspective view of a telephone showing my new design;

FIG. 2 is a rear perspective view thereof;

FIG. 3 is a front view thereof;

FIG. 4 is a top view thereof;

FIG. 5 is a first side view thereof;

FIG. 6 is a second side view thereof;

FIG. 7 is a rear view thereof;

FIG. 8 is a bottom view thereof; and,

FIG. 9 is another perspective view thereof.

The broken line showing of environmental structures is for illustrative purposes only and forms no part of the claimed design.

**1 Claim, 9 Drawing Sheets**

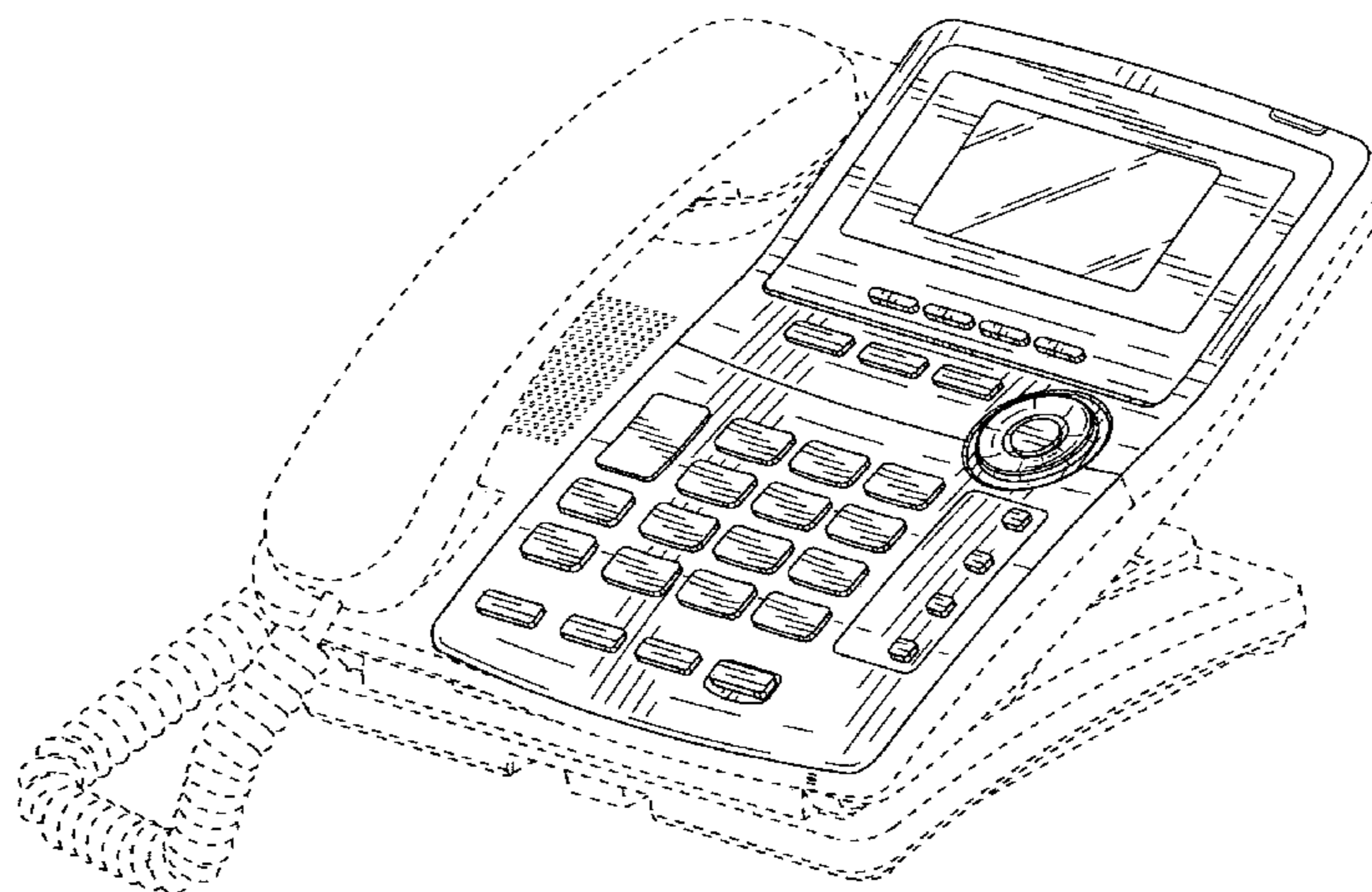


FIG.1



FIG.2

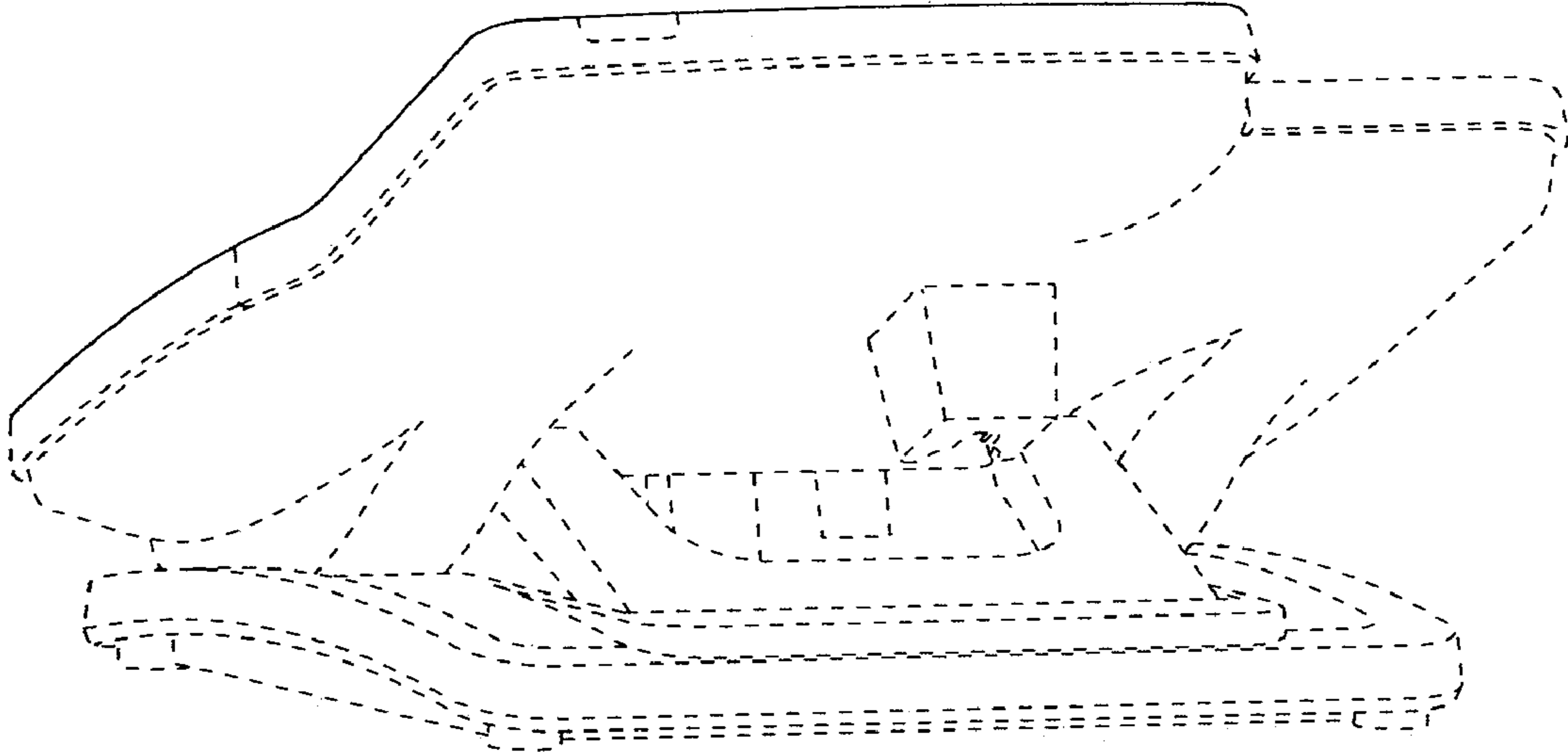


FIG. 3

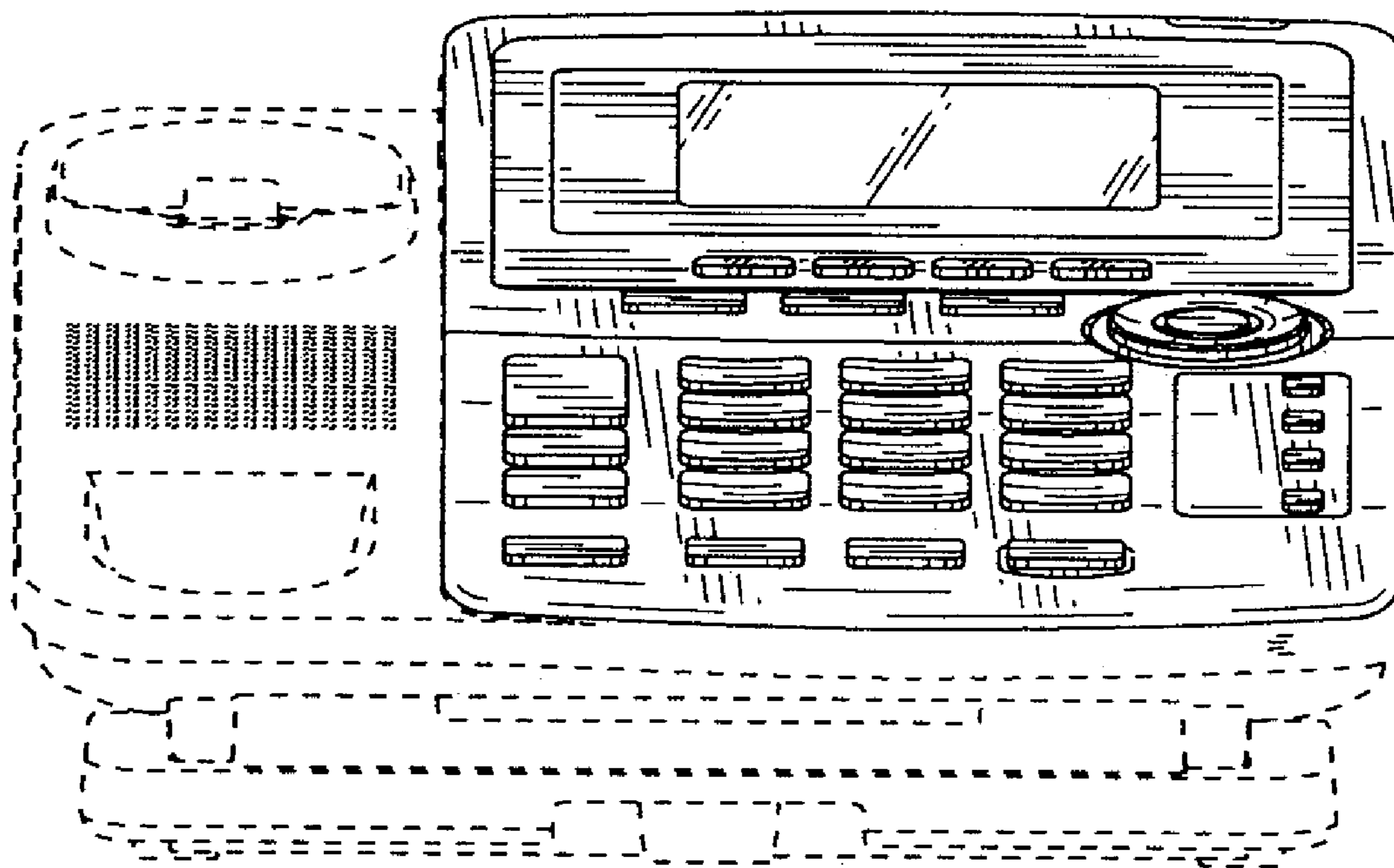




FIG. 4

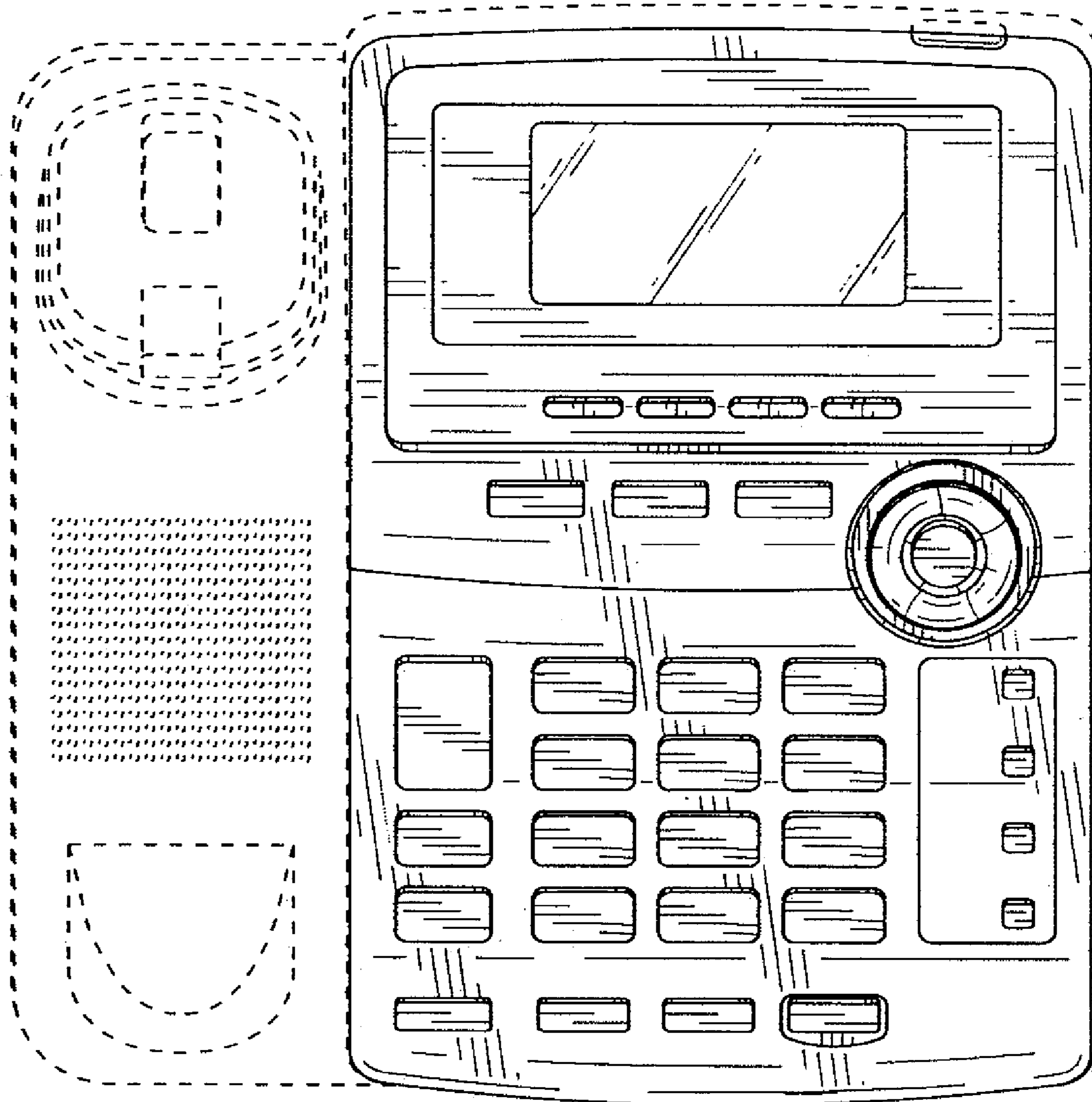


FIG. 5

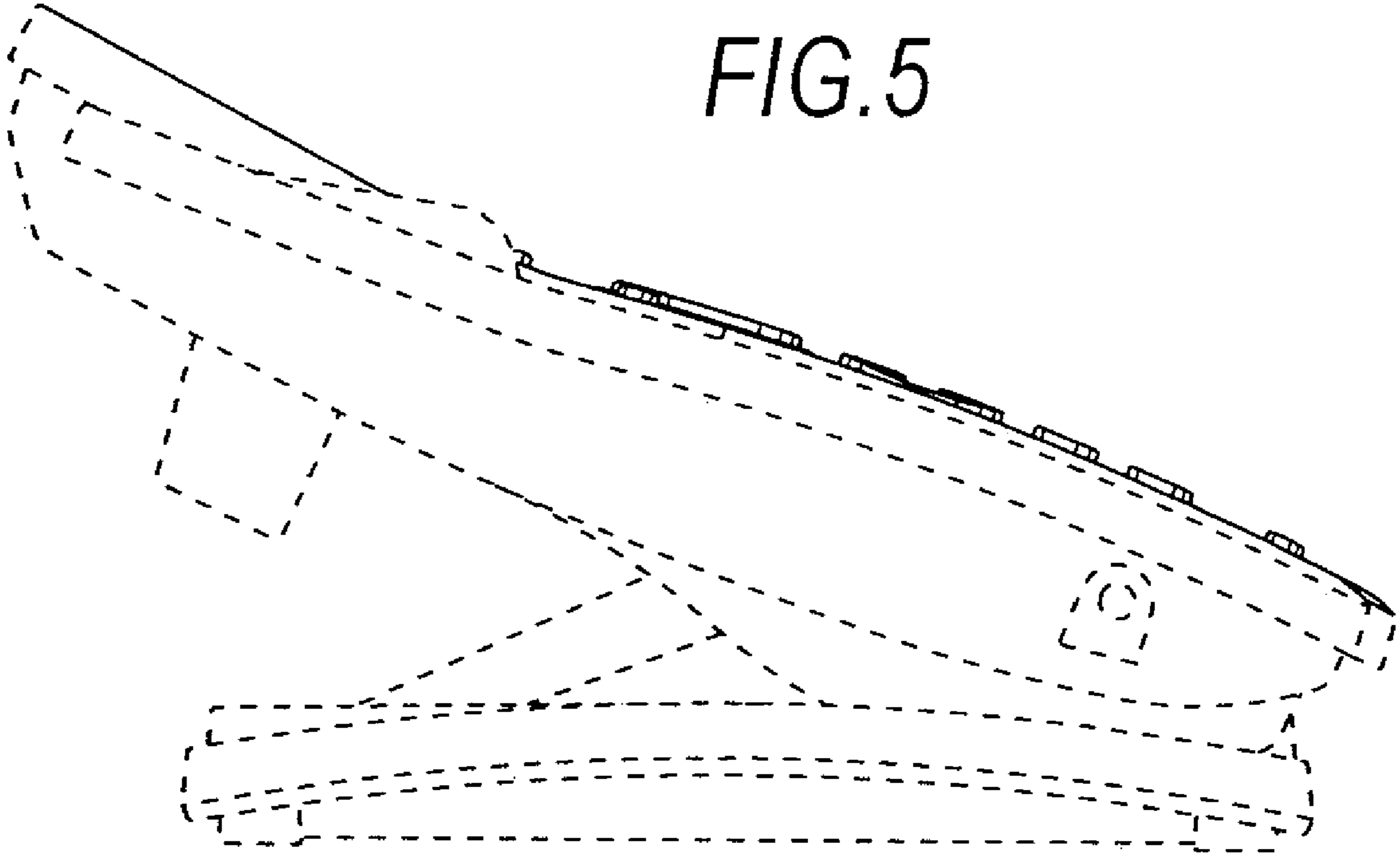


FIG. 6

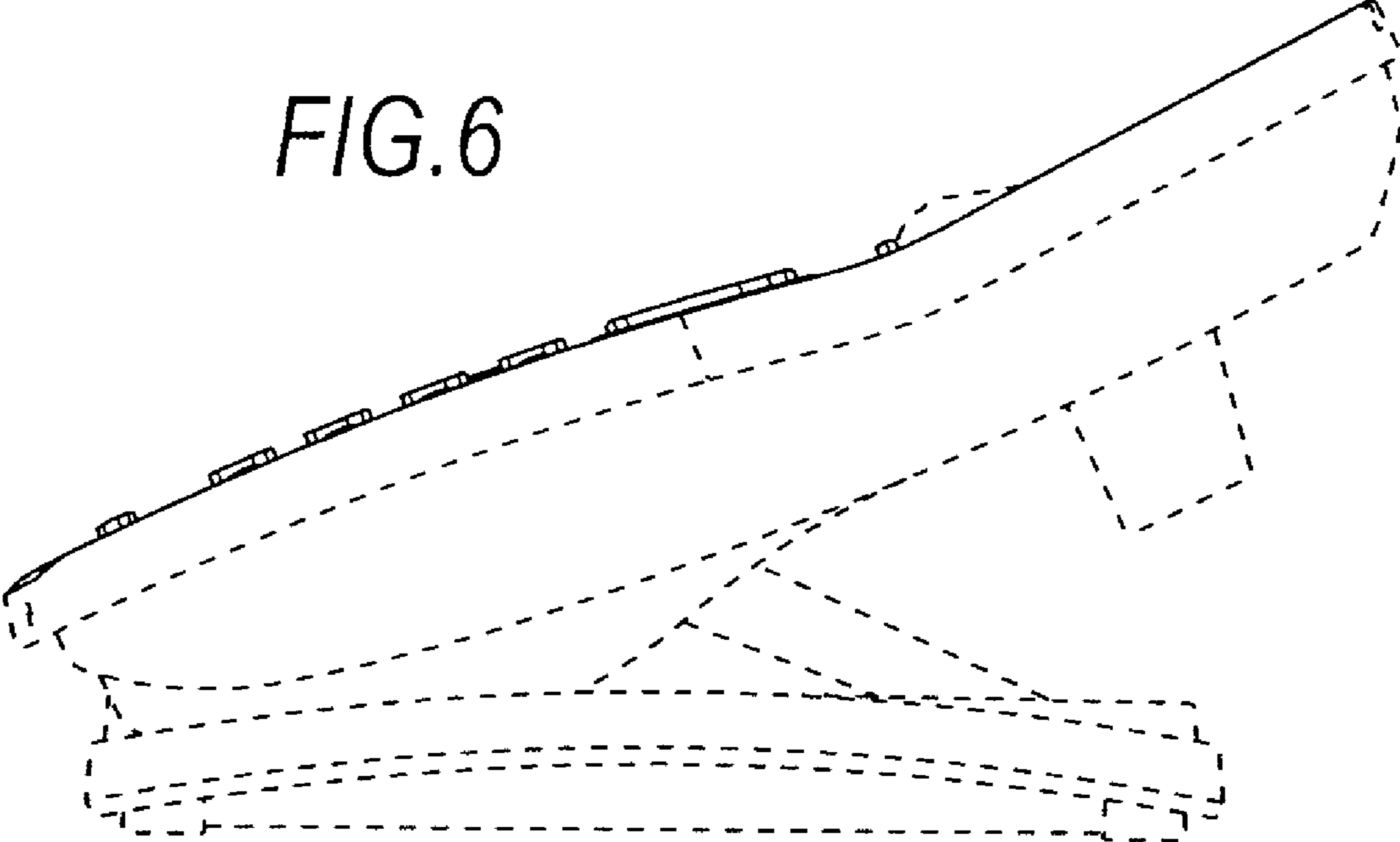


FIG. 7

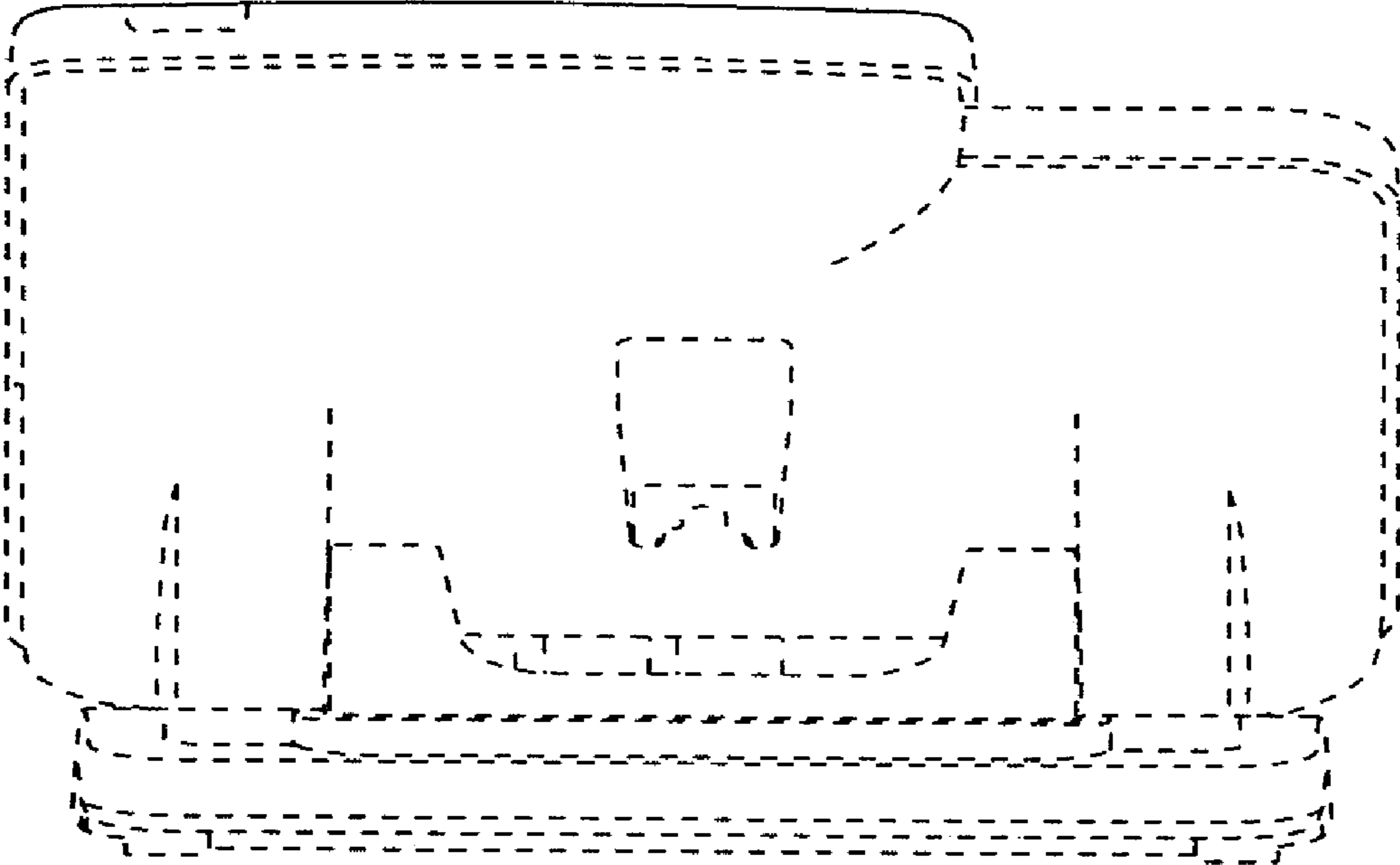




FIG. 8

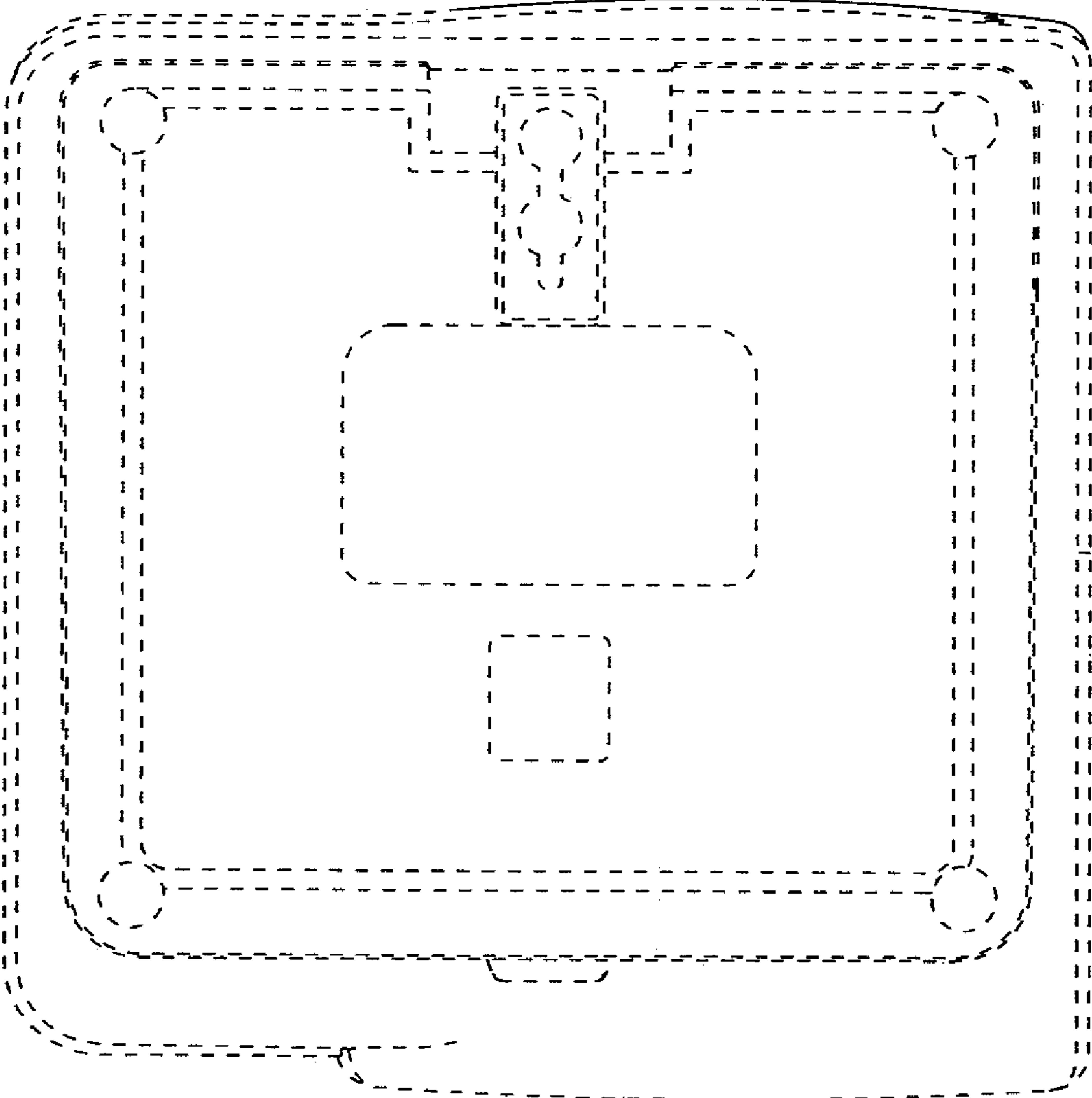


FIG.9

