



US00D572698S

(12) **United States Design Patent**
Kim et al.

(10) **Patent No.:** **US D572,698 S**
(45) **Date of Patent:** **** Jul. 8, 2008**

(54) **MOBILE PHONE**

(75) Inventors: **Yun-Su Kim**, Seoul (KR); **Seog-Guen Kim**, Seoul (KR); **Tae-ho Kim**, Yongin-si (KR); **Woo-Seung Han**, Seoul (KR); **Sung-Kyun Bai**, Seoul (KR)

(73) Assignee: **Samsung Electronics Co., Ltd.**, Suwon-Si (KR)

(**) Term: **14 Years**

(21) Appl. No.: **29/290,095**

(22) Filed: **Oct. 19, 2007**

(30) **Foreign Application Priority Data**

Jul. 23, 2007 (KR) 30-2007-0031615

(51) **LOC (8) Cl.** **14-03**

(52) **U.S. Cl.** **D14/138**

(58) **Field of Classification Search** D14/137-138, D14/147-148, 156, 218, 247-248, 341-347, D14/390, 399, 455, 456, 496; D16/208; D21/329, 331, 333, 517; 348/14.01-14.02; 361/814; 379/433.01-433.13; 455/90.3, 455/556.1-556.2, 566, 575.1, 575.3, 575.4; D13/164, 168; 439/165; 343/702
See application file for complete search history.

(56) **References Cited**

U.S. PATENT DOCUMENTS

D524,274 S *	7/2006	Choi et al.	D14/138
D540,293 S *	4/2007	Cho et al.	D14/138
D543,191 S *	5/2007	Kim et al.	D14/138
D554,100 S *	10/2007	Kim et al.	D14/138
D555,626 S *	11/2007	Son et al.	D14/138
D558,175 S *	12/2007	Choi et al.	D14/138
D560,635 S *	1/2008	Kim et al.	D14/138
D560,645 S *	1/2008	Park	D14/138
D560,646 S *	1/2008	Yun et al.	D14/138

D560,647 S *	1/2008	Choi et al.	D14/138
D561,154 S *	2/2008	Kim et al.	D14/138
D562,301 S *	2/2008	Lee et al.	D14/138
2008/0039156 A1 *	2/2008	Lee et al.	455/575.1

OTHER PUBLICATIONS

Samsung i300, announced 1Q 2005, <URL:http://www.gsmarena.com/samsung_i300-pictures-1104.php>, retrieved from internet Feb. 29, 2008.*

LG KG195, announced 3Q 2007, <URL:http://www.gsmarena.com/lg_kg195-pictures-2068.php>, retrieved from internet Feb. 29, 2008.*

Motorola Motofone F3, announced Jun. 2006, <URL:http://www.gsmarena.com/motorola_motofone_f3-pictures-1794.php>, retrieved from internet Feb. 29, 2008.*

* cited by examiner

Primary Examiner—Ian Simmons

Assistant Examiner—Carla Wright

(74) *Attorney, Agent, or Firm*—Staas & Halsey LLP

(57) **CLAIM**

The ornamental design for a mobile phone, as shown and described.

DESCRIPTION

FIG. 1 is a perspective view of a mobile phone;
FIG. 2 is a front view of the mobile phone of FIG. 1;
FIG. 3 is a rear view of the mobile phone of FIG. 1;
FIG. 4 is a left-side view of the mobile phone of FIG. 1;
FIG. 5 is a right-side view of the mobile phone of FIG. 1;
FIG. 6 is top plan view of the mobile phone of FIG. 1;
FIG. 7 is bottom plan view of the mobile phone of FIG. 1;
FIG. 8 is a perspective view of the mobile phone of FIG. 1 displaying the keypad in an operational state; and,
FIG. 9 is rear perspective view of the mobile phone of FIG. 1.

1 Claim, 7 Drawing Sheets

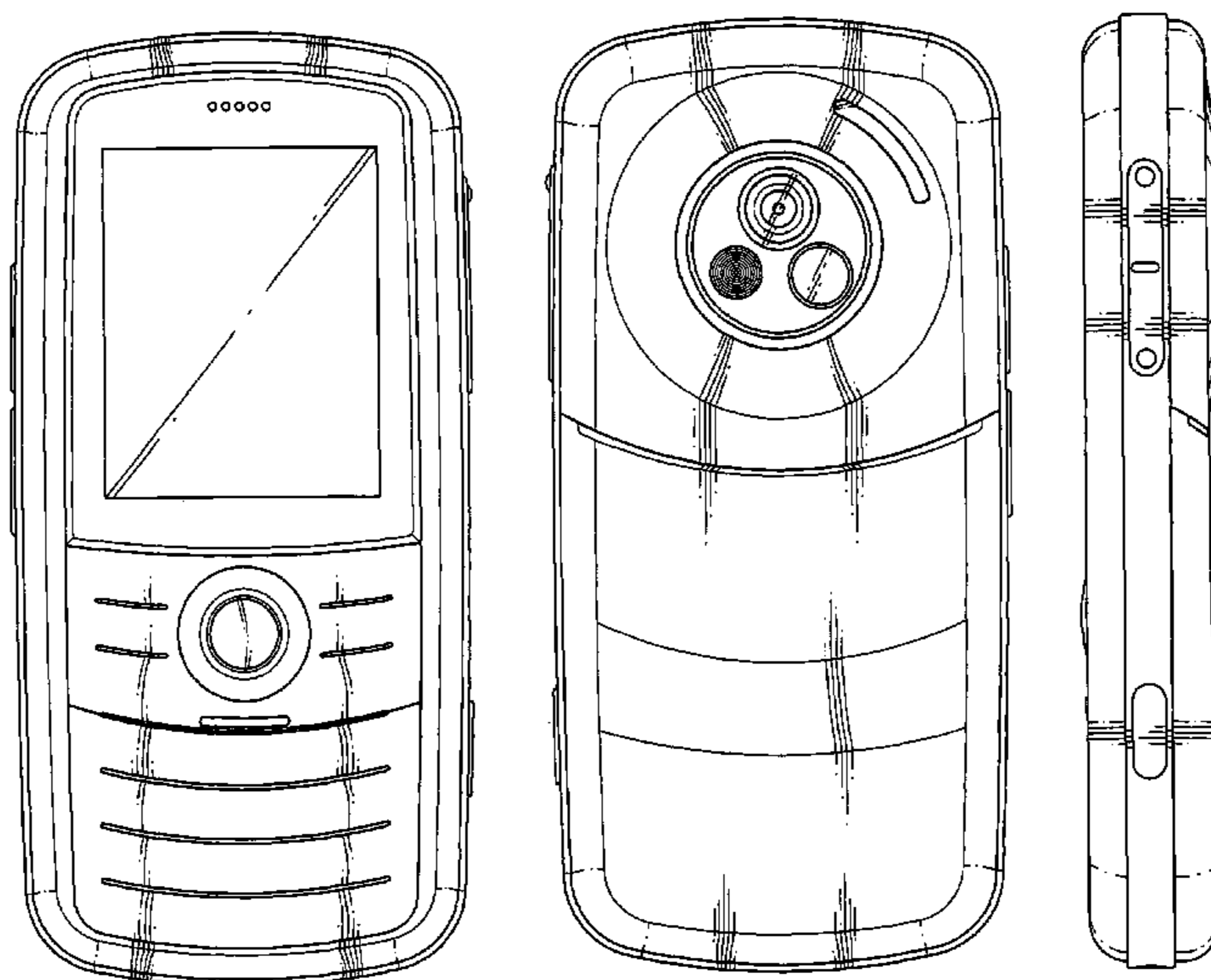


FIG. 1

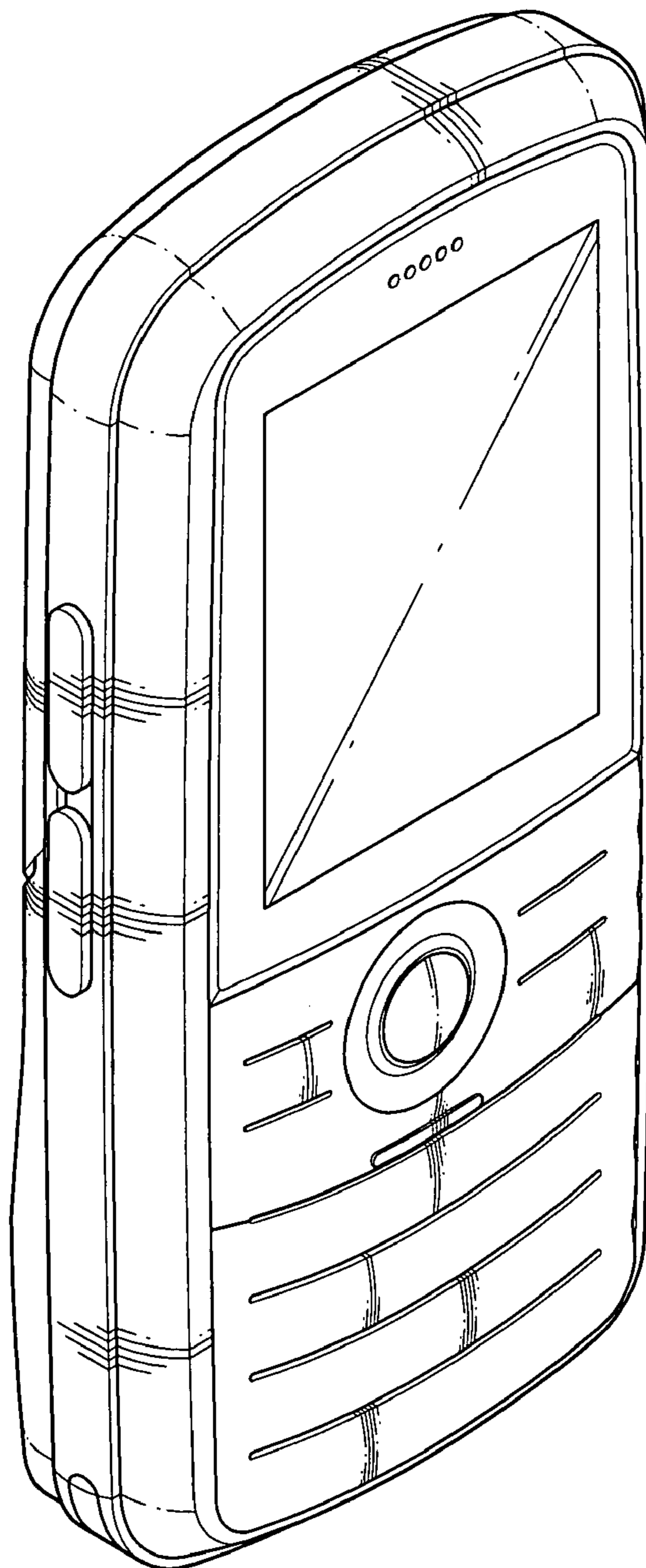


FIG. 2

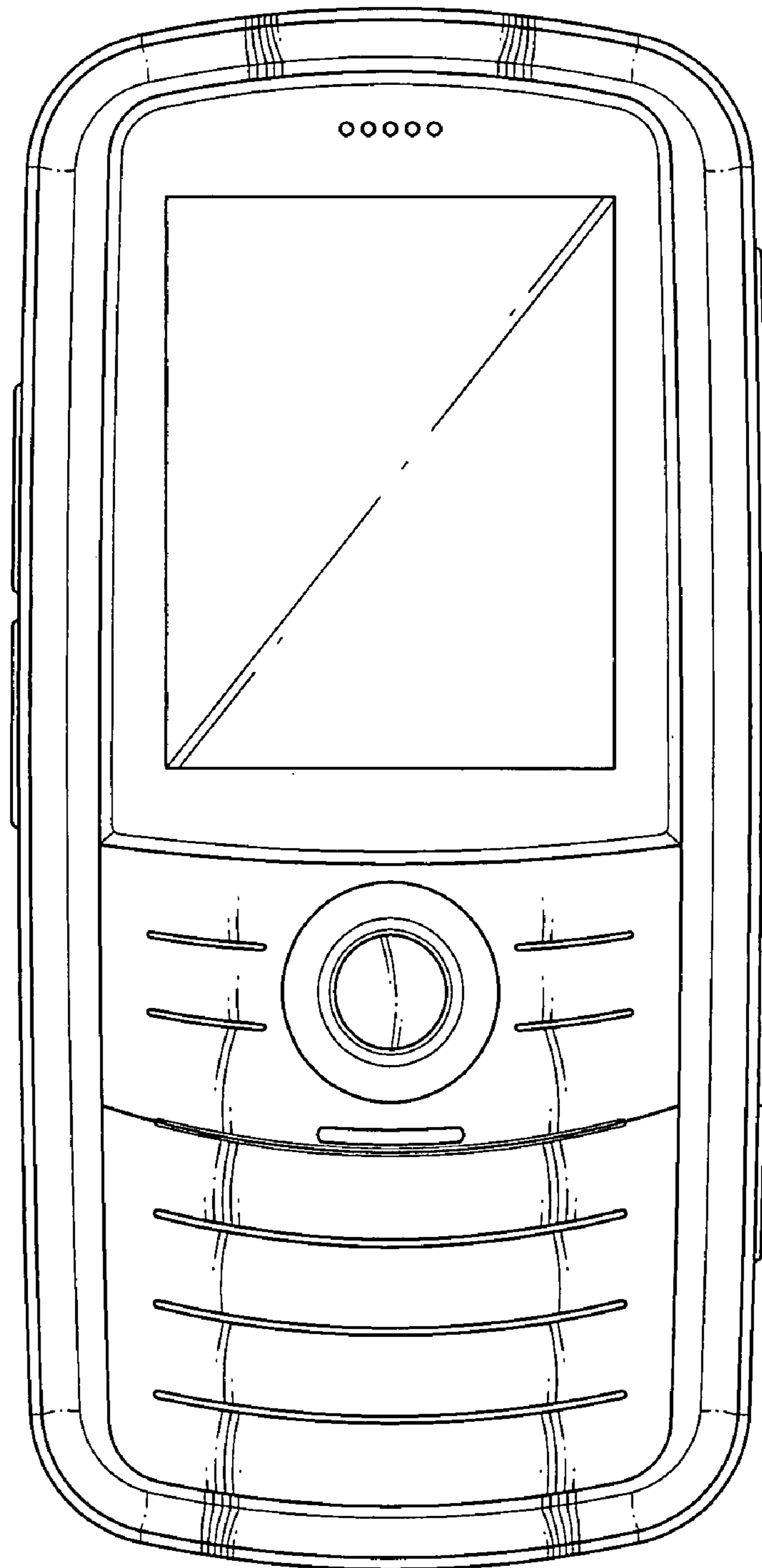


FIG. 3

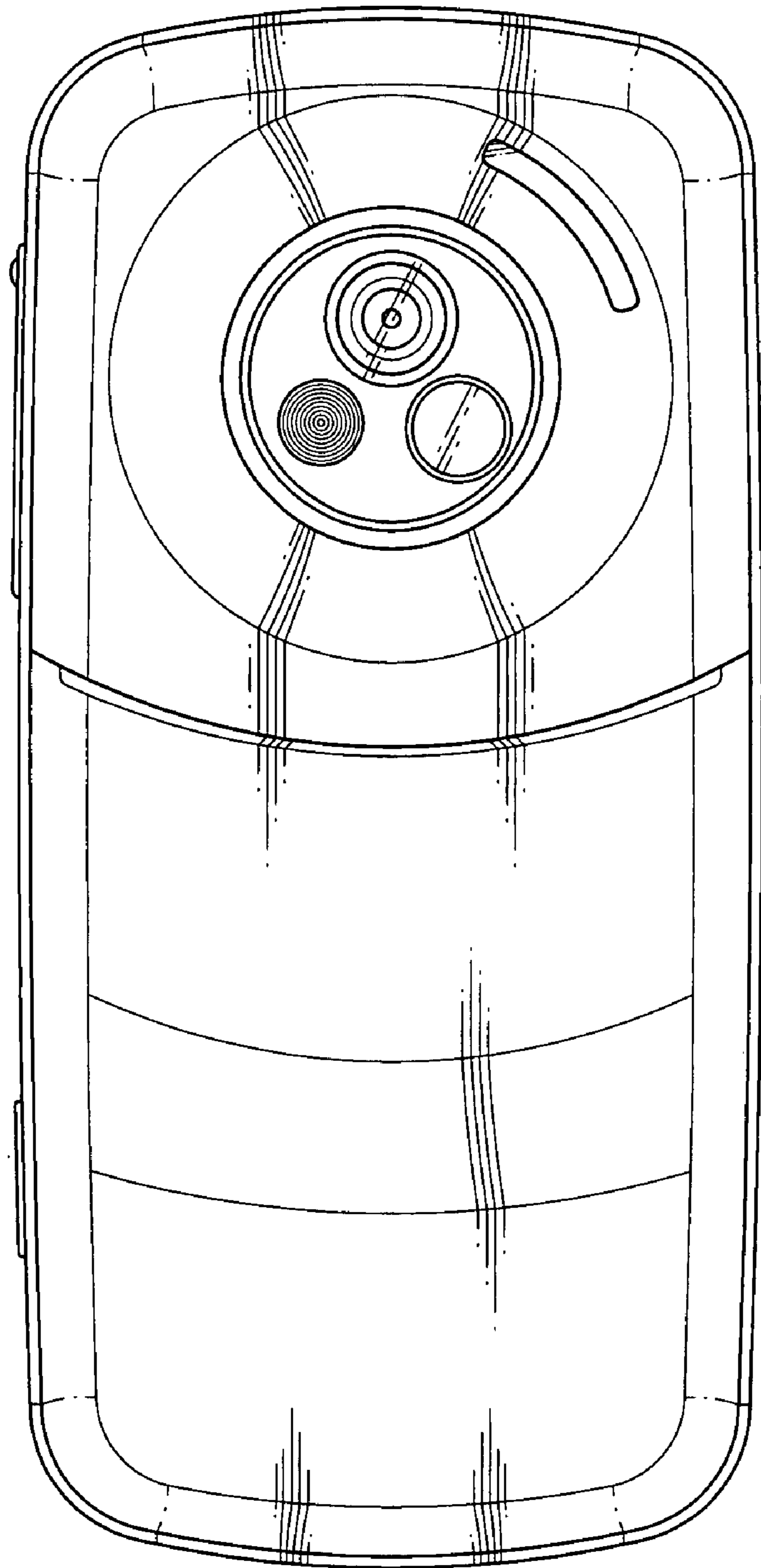


FIG. 4

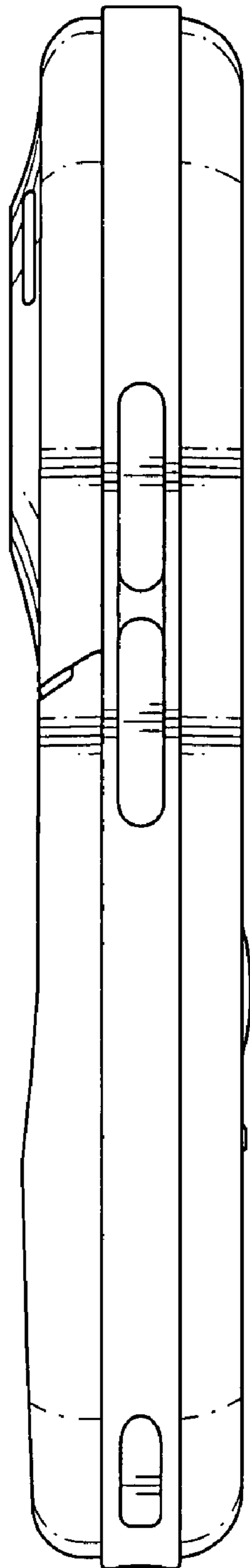


FIG. 5

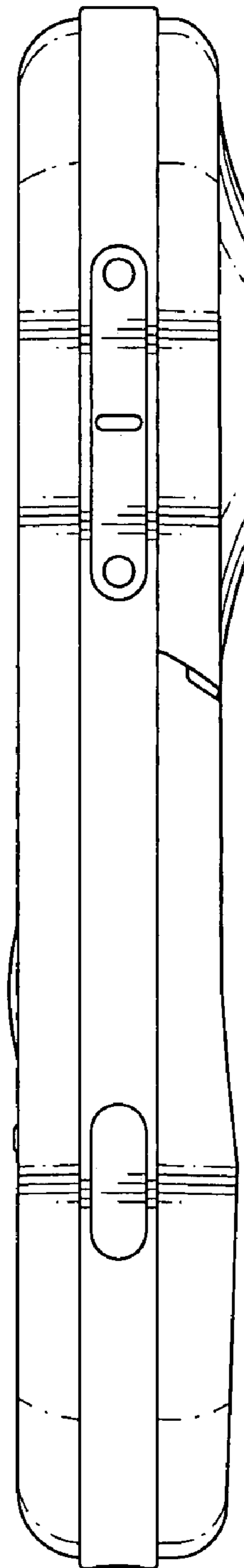


FIG. 6

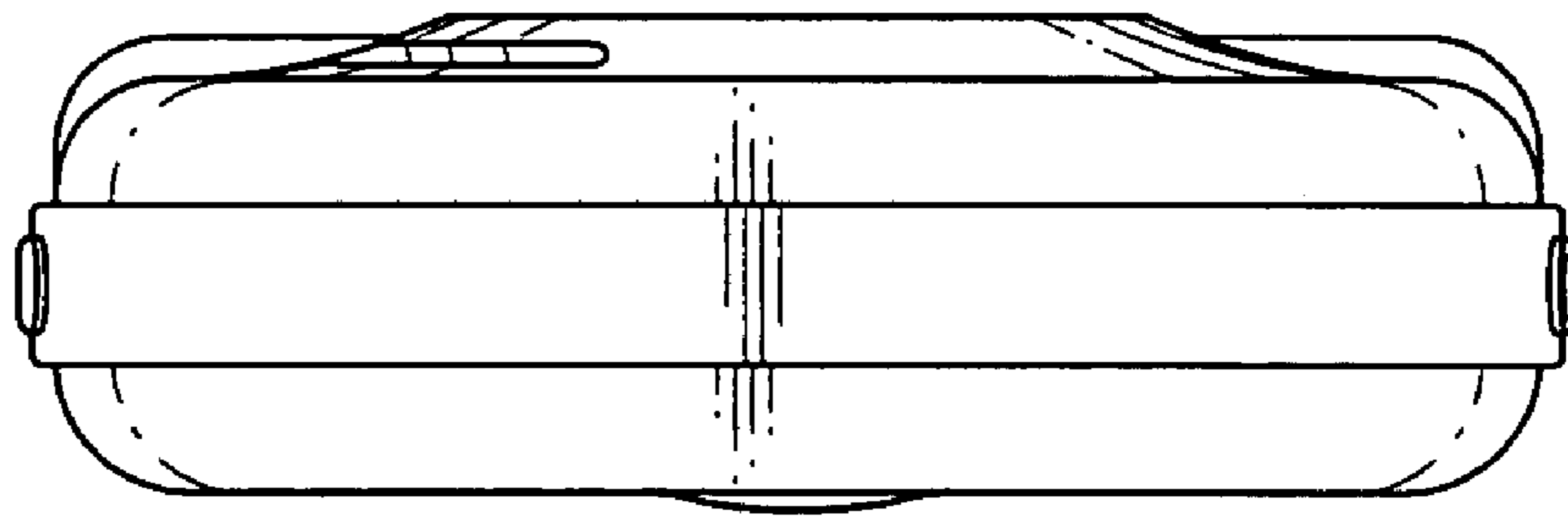


FIG. 7

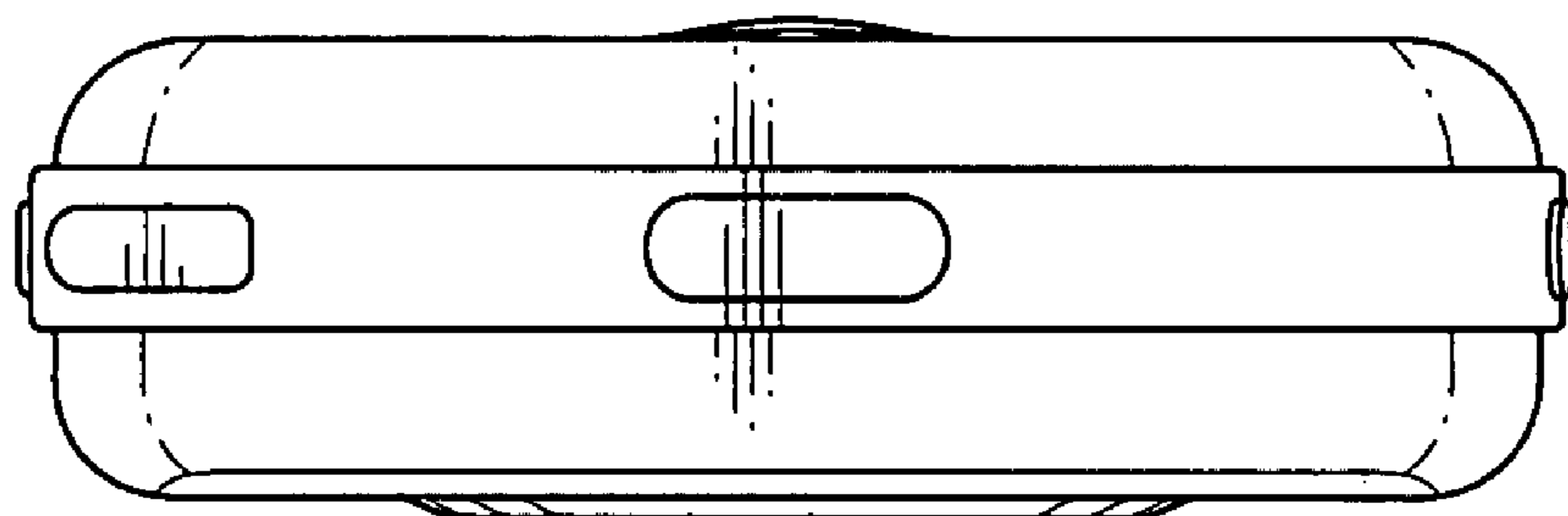


FIG. 8

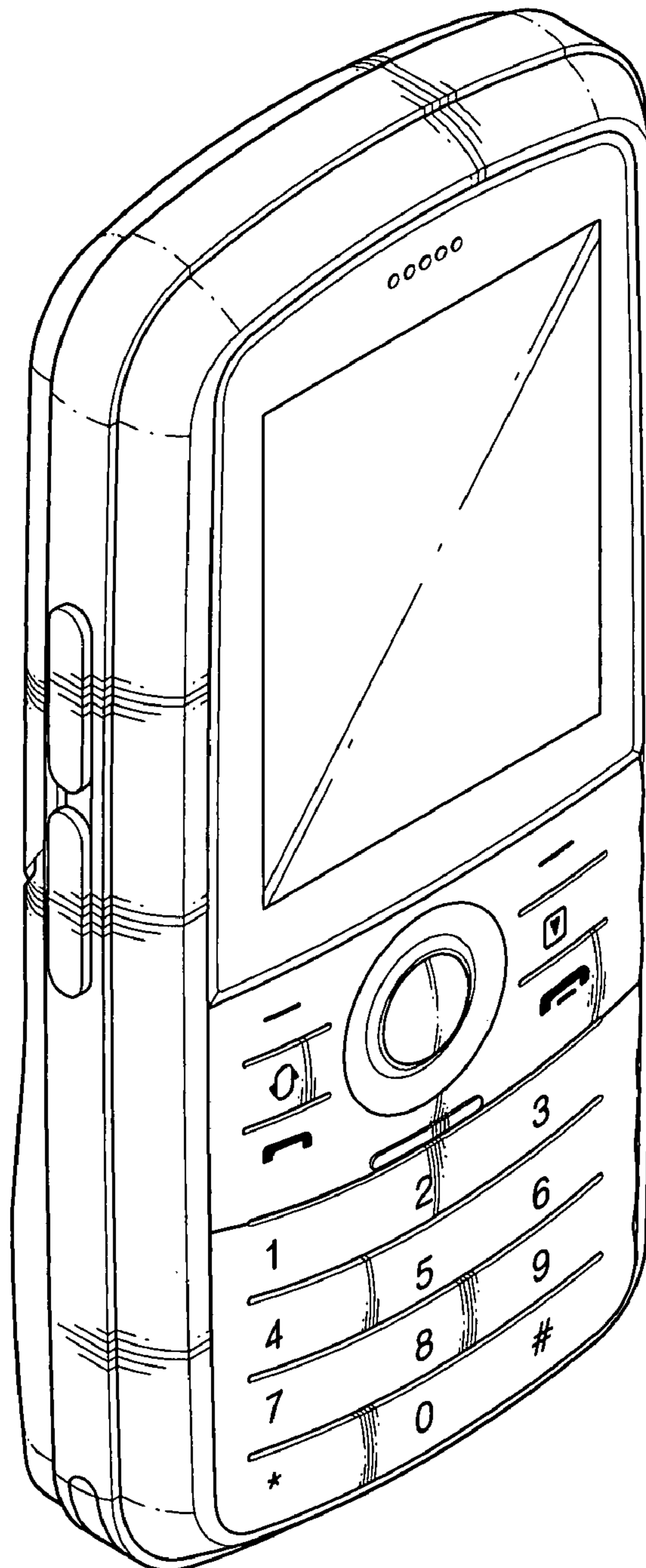


FIG. 9

