



US00D572692S

(12) **United States Design Patent**
Kim et al.

(10) **Patent No.:** **US D572,692 S**
(45) **Date of Patent:** **** Jul. 8, 2008**

(54) **MOBILE PHONE**

(75) Inventors: **Bo-Ra Kim**, Seoul (KR); **Beom-Ku Han**, Seoul (KR); **Chang-Soo Lee**, Incheon (KR)

(73) Assignee: **Samsung Electronics Co., Ltd.**, Suwon-Si (KR)

(*) Notice: This patent is subject to a terminal disclaimer.

(**) Term: **14 Years**

(21) Appl. No.: **29/274,852**

(22) Filed: **May 31, 2007**

(30) **Foreign Application Priority Data**

Apr. 11, 2007 (KR) 30-2007-0015830

(51) **LOC (8) Cl.** **14-03**

(52) **U.S. Cl.** **D14/138**

(58) **Field of Classification Search** D14/137-138, D14/147-148, 156, 218, 247-248, 341-347, D14/496; D16/208; D21/329, 331, 333, D21/517; 348/14.01-14.02; 361/814; 379/433.01-433.13; 455/90.3, 556.1-556.2, 566, 575.1, 575.3, 455/575.4

See application file for complete search history.

(56) **References Cited**

U.S. PATENT DOCUMENTS

D359,487 S * 6/1995 Brown D14/138
5,491,507 A * 2/1996 Umezawa et al. 348/14.02
5,594,778 A * 1/1997 Schaupp et al. 455/418
6,363,259 B1 * 3/2002 Larsen 455/550.1
D464,033 S * 10/2002 Piano-Poirier D14/144
D538,252 S * 3/2007 Joung D14/138
D538,274 S * 3/2007 Gray D14/247
D538,773 S * 3/2007 Joung D14/138

D541,783 S * 5/2007 Lee D14/138
D546,809 S * 7/2007 Kim et al. D14/138
D548,716 S * 8/2007 Park et al. D14/138
2006/0073859 A1 * 4/2006 Chou 455/575.4
2007/0142101 A1 * 6/2007 Seshagiri et al. 455/575.4

OTHER PUBLICATIONS

BenQ-Siemens EF51, announced Feb. 2006, <URL:www.gsmarena.com>, retrieved from internet Oct. 22, 2007.*

LG KU990, announced Aug. 2007, <URL:www.gsmarena.com>, retrieved from internet Oct. 22, 2007.*

Samsung P310, announced Sep. 2006, <URL:www.gsmarena.com>, retrieved from internet Oct. 22, 2007.*

Samsung P300, announced 4Q 2005, <URL:www.gsmarena.com>, retrieved from internet Oct. 22, 2007.*

* cited by examiner

Primary Examiner—Ian Simmons

Assistant Examiner—Carla Wright

(74) *Attorney, Agent, or Firm*—Staas & Halsey LLP

(57) **CLAIM**

The ornamental design for a mobile phone, as shown and described.

DESCRIPTION

FIG. 1 is a perspective view of a mobile phone;
FIG. 2 is a front view of the mobile phone of FIG. 1;
FIG. 3 is a rear view of the mobile phone of FIG. 1;
FIG. 4 is a left-side view of the mobile phone of FIG. 1;
FIG. 5 is a right-side view of the mobile phone of FIG. 1;
FIG. 6 is a top plan view of the mobile phone of FIG. 1;
FIG. 7 is a bottom plan view of the mobile phone of FIG. 1;
and,
FIG. 8 is a perspective view of the mobile phone of FIG. 1 shown in an open state.

1 Claim, 3 Drawing Sheets

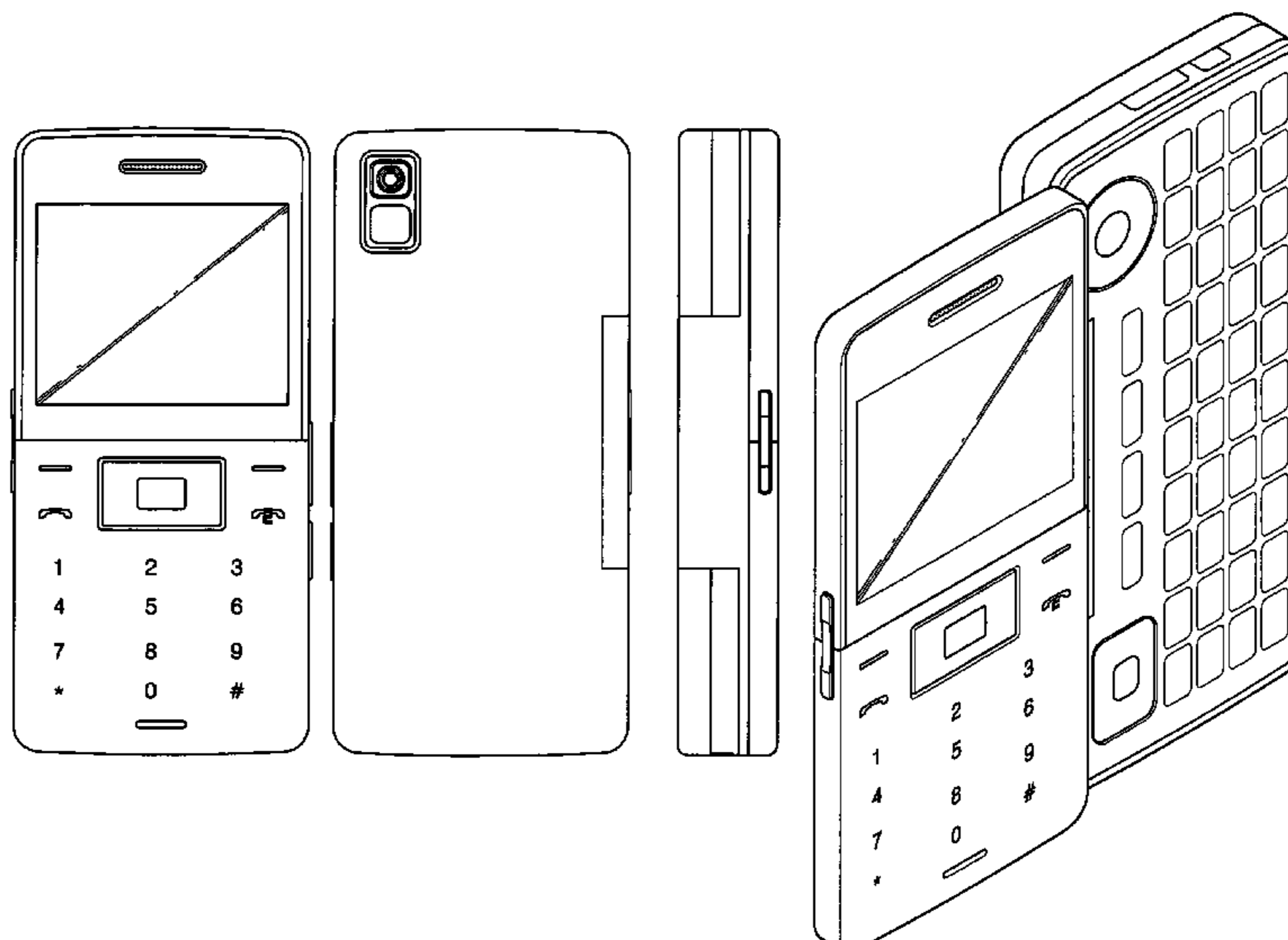


FIG. 1

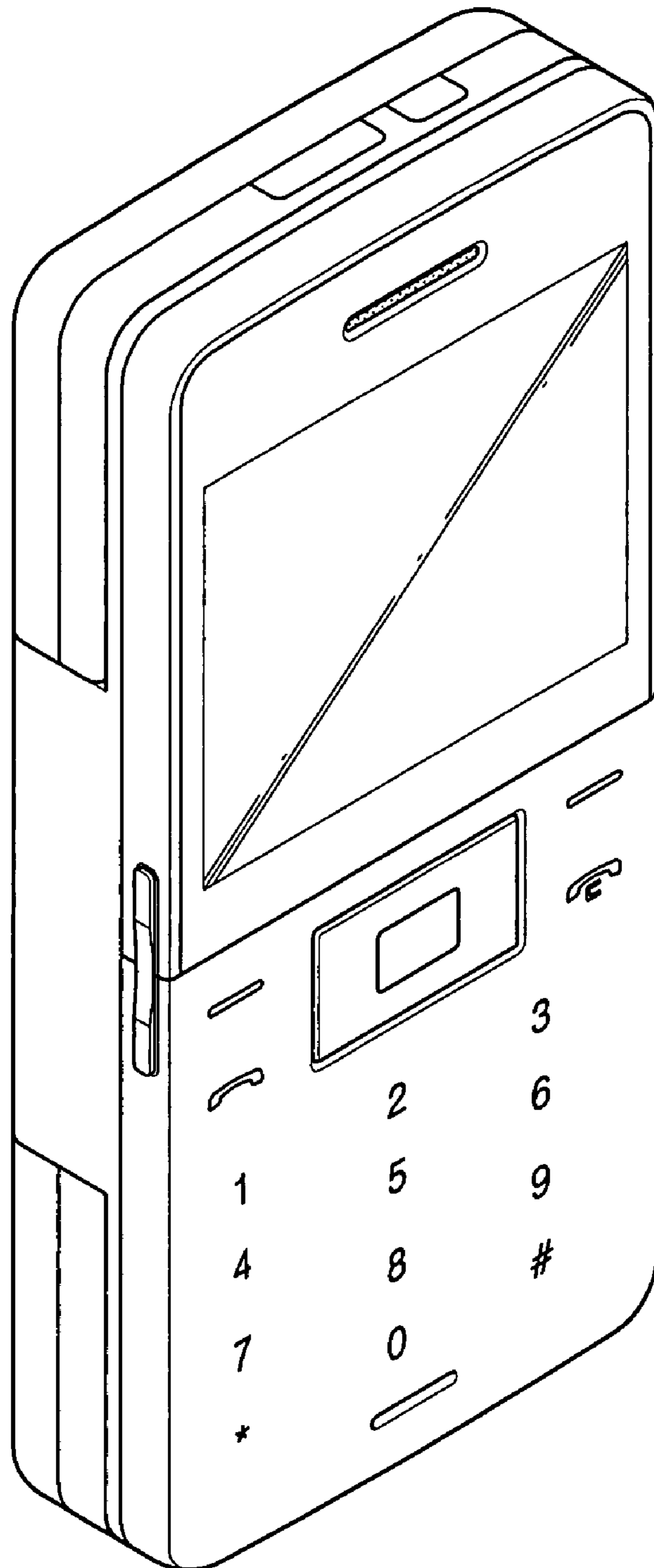


FIG.2

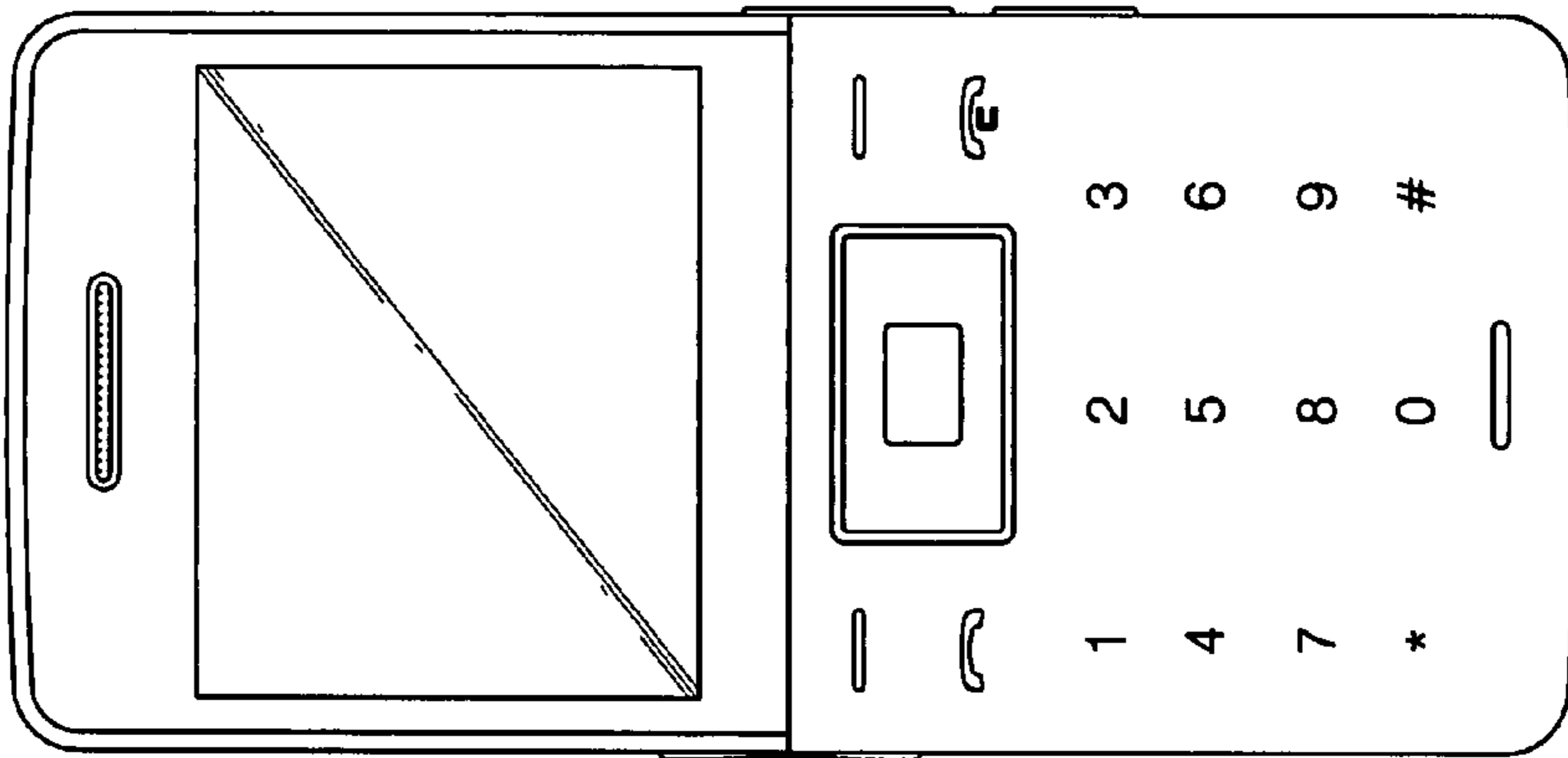


FIG.3

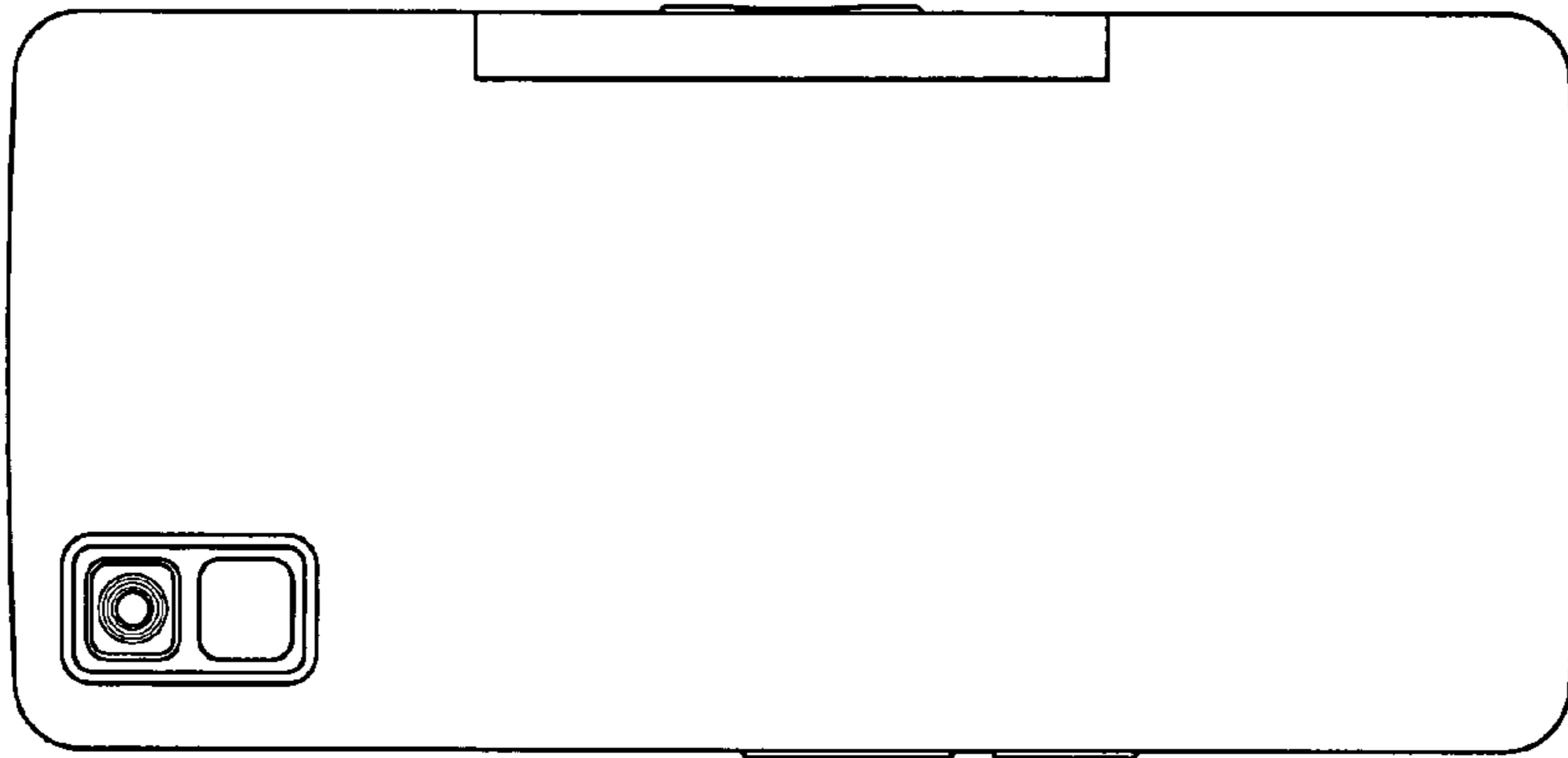


FIG.4

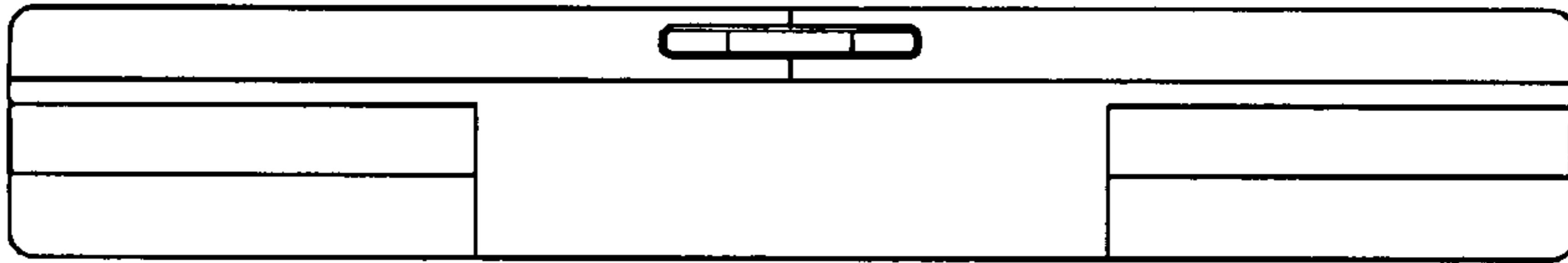


FIG.5

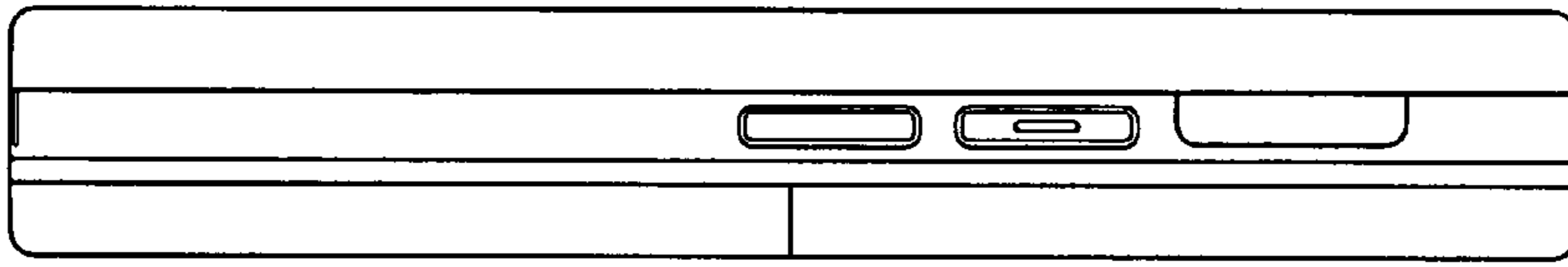


FIG.6

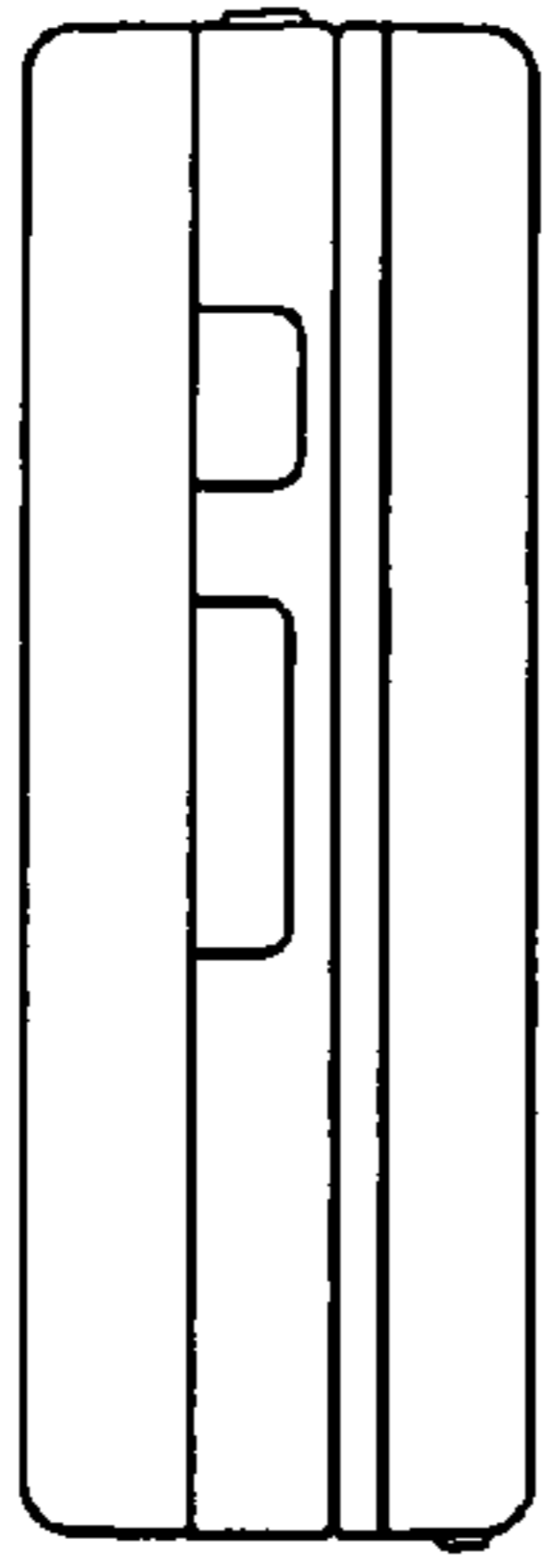


FIG.7

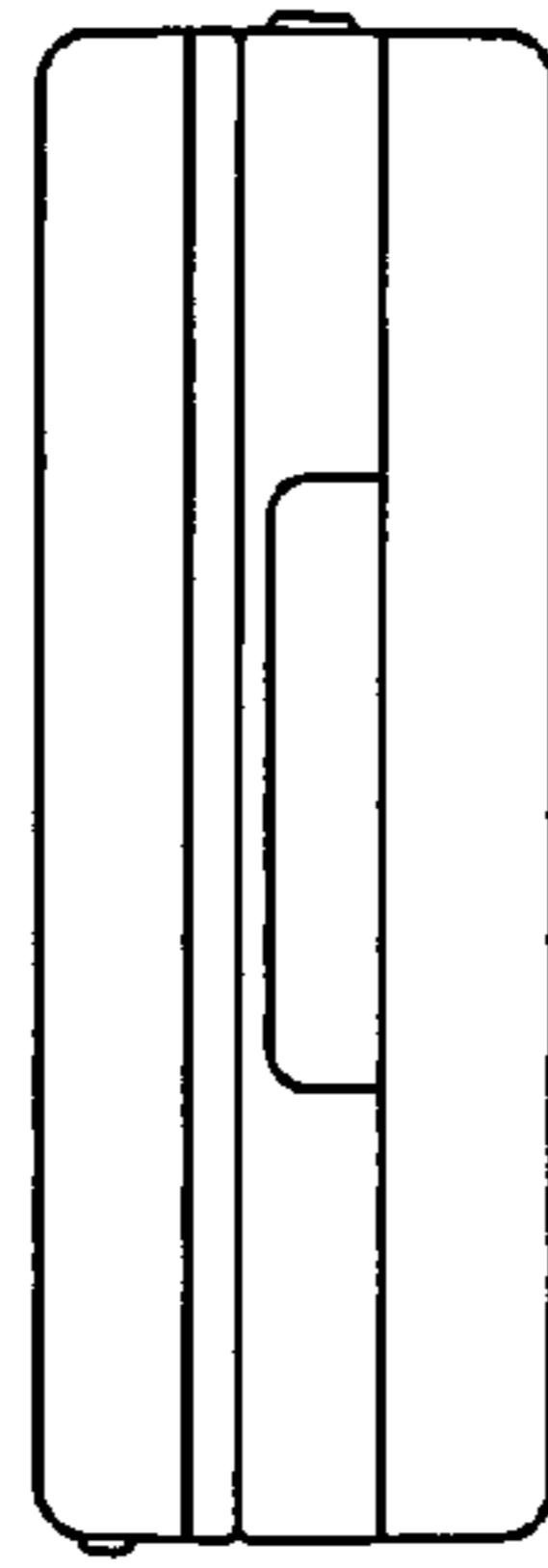


FIG. 8

