



US00D572674S

(12) **United States Design Patent**  
**Paradise**

(10) **Patent No.:** **US D572,674 S**  
(45) **Date of Patent:** **\*\* Jul. 8, 2008**

(54) **SET TOP BOX**

(75) Inventor: **Michael F Paradise**, Chicago, IL (US)

(73) Assignee: **General Instrument Corporation**,  
Horsham, PA (US)

(\*\*) Term: **14 Years**

(21) Appl. No.: **29/278,333**

(22) Filed: **Mar. 26, 2007**

(51) **LOC (8) Cl.** ..... **14-03**

(52) **U.S. Cl.** ..... **D14/125**

(58) **Field of Classification Search** ..... D14/125-134,  
D14/220-239, 371, 135, 136, 155, 374-377,  
D14/138, 299, 358, 492, 356, 361-363, 365,  
D14/496; 312/7.2, 208.1-223.2; 348/836,  
348/838, 180, 184, 325, 739, 10, 460; 341/12;  
248/917-924, 465, 123.11, 121, 122.1, 124,  
248/144.1, 454, 455; 345/104, 133, 156,  
345/168, 87, 173, 169; 349/1, 2, 11, 62;  
720/605, 669, 600, 655, 99, 197; 455/344-347;  
361/681, 683; 368/12; D12/421, 415  
See application file for complete search history.

(56) **References Cited**

**U.S. PATENT DOCUMENTS**

D344,509 S \* 2/1994 Ryu ..... D14/135  
D459,319 S \* 6/2002 Ahn ..... D14/125

D470,465 S \* 2/2003 Lee ..... D14/125  
D529,879 S \* 10/2006 Park et al. .... D14/125  
D541,811 S \* 5/2007 Park ..... D14/496  
D545,774 S \* 7/2007 Woo et al. .... D14/125  
D546,785 S \* 7/2007 Mathews et al. .... D14/125  
D549,190 S \* 8/2007 Paradise et al. .... D14/125

\* cited by examiner

*Primary Examiner*—Raphael Barkai

*Assistant Examiner*—Randall H Gholson

(74) *Attorney, Agent, or Firm*—Benjamin D. Driscoll

(57) **CLAIM**

I claim the ornamental design for a set top box, as shown and described.

**DESCRIPTION**

FIG. 1 is a front perspective view of a set top box;

FIG. 2 is a top view of the set top box of FIG. 1;

FIG. 3 is a front view of the set top box of FIG. 1;

FIG. 4 is a side view of the set top box of FIG. 1;

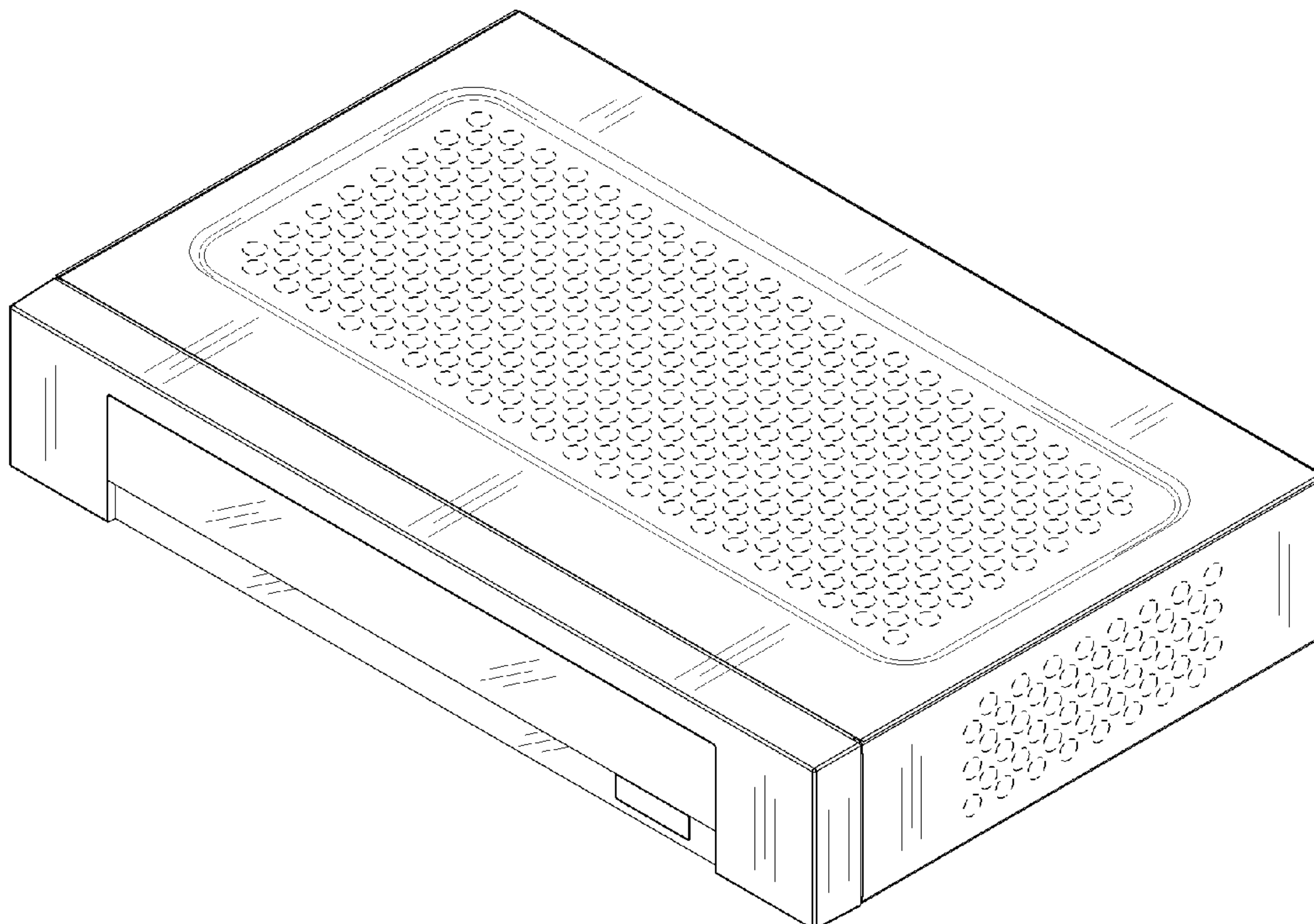
FIG. 5 is another side view of the set top box of FIG. 1;

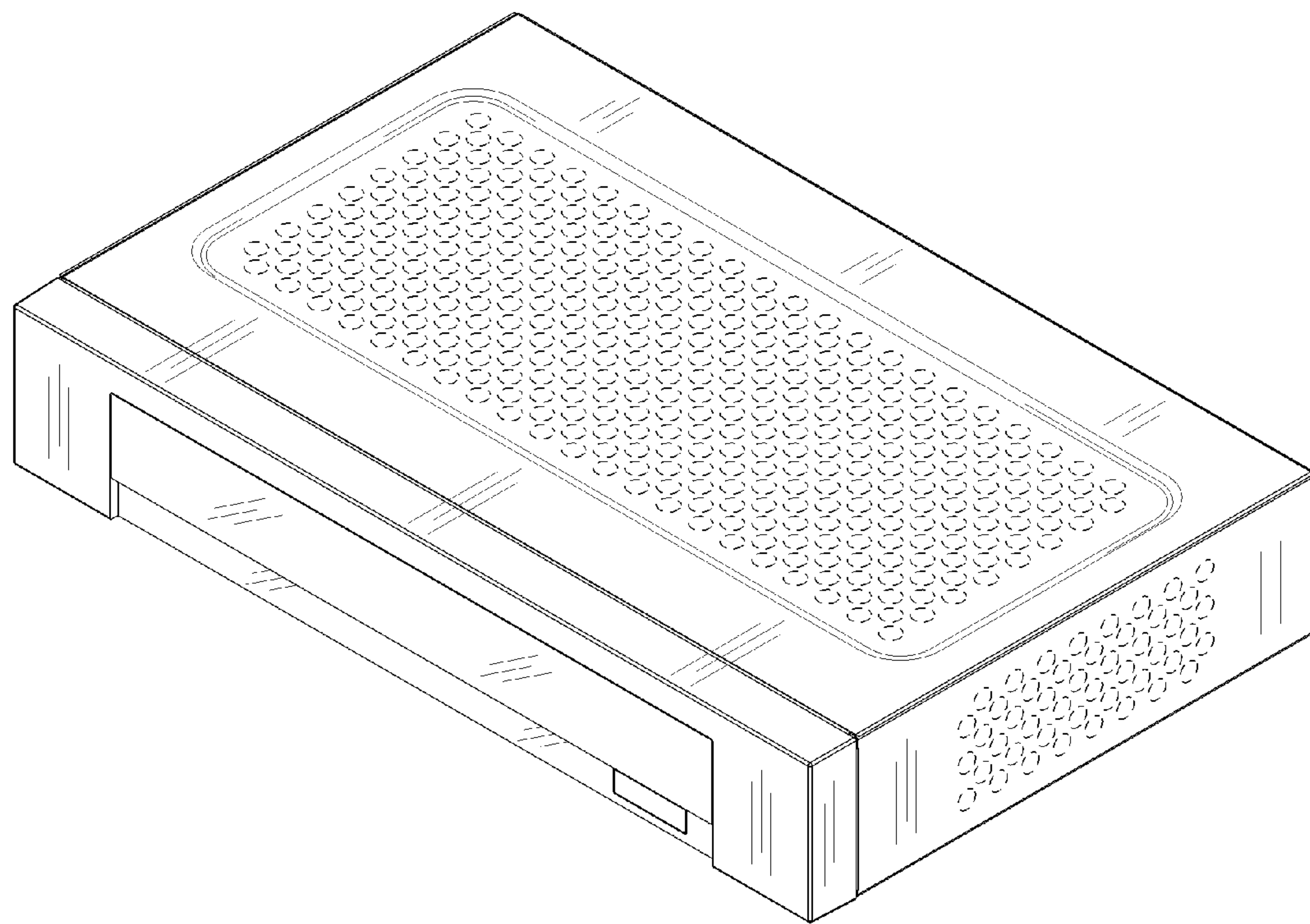
FIG. 6 is a bottom view of the set top box of FIG. 1; and,

FIG. 7 is a back view of the set top box of FIG. 1.

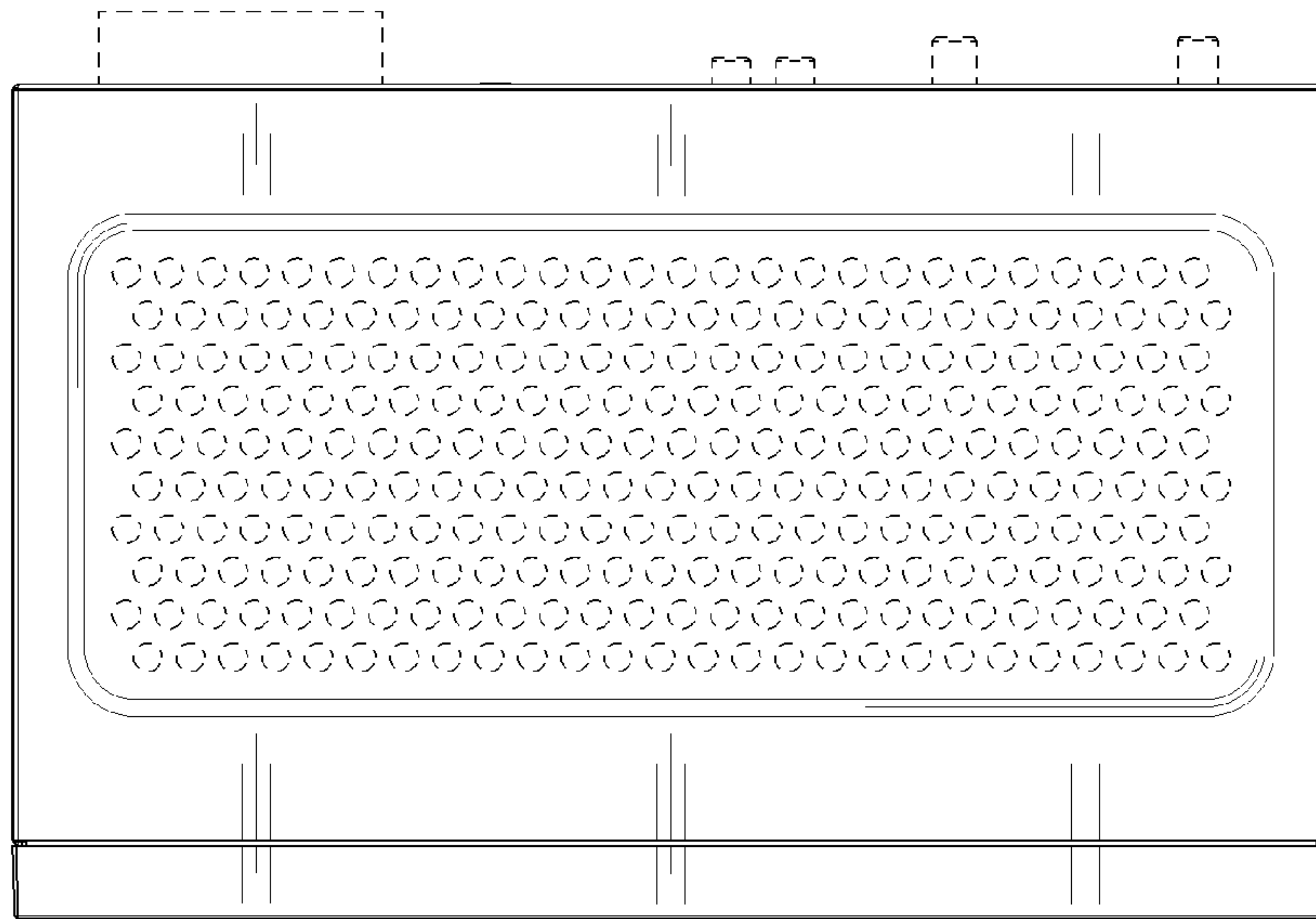
The portions drawn in broken lines are shown for illustrative purposes only and do not form part of the claimed invention.

**1 Claim, 3 Drawing Sheets**

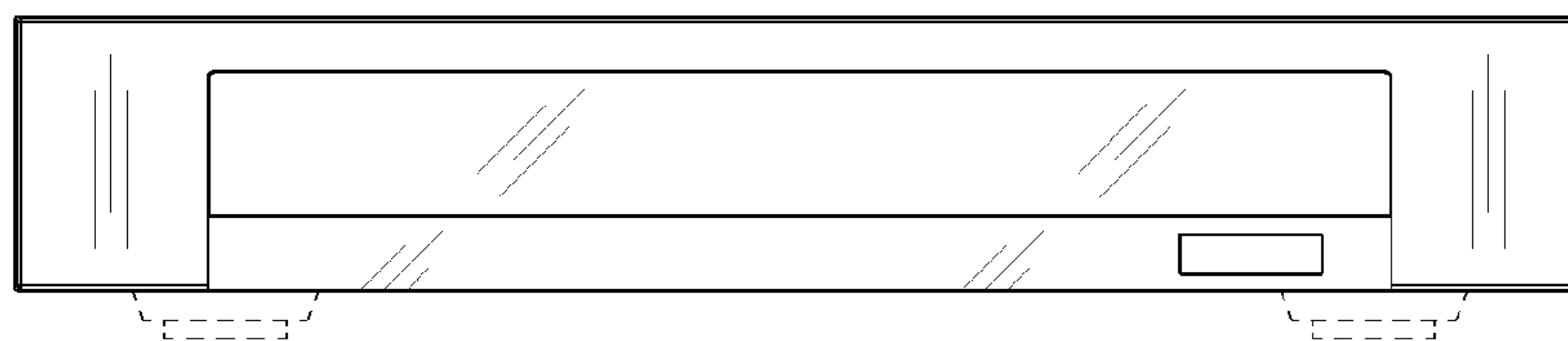




***FIG. 1***

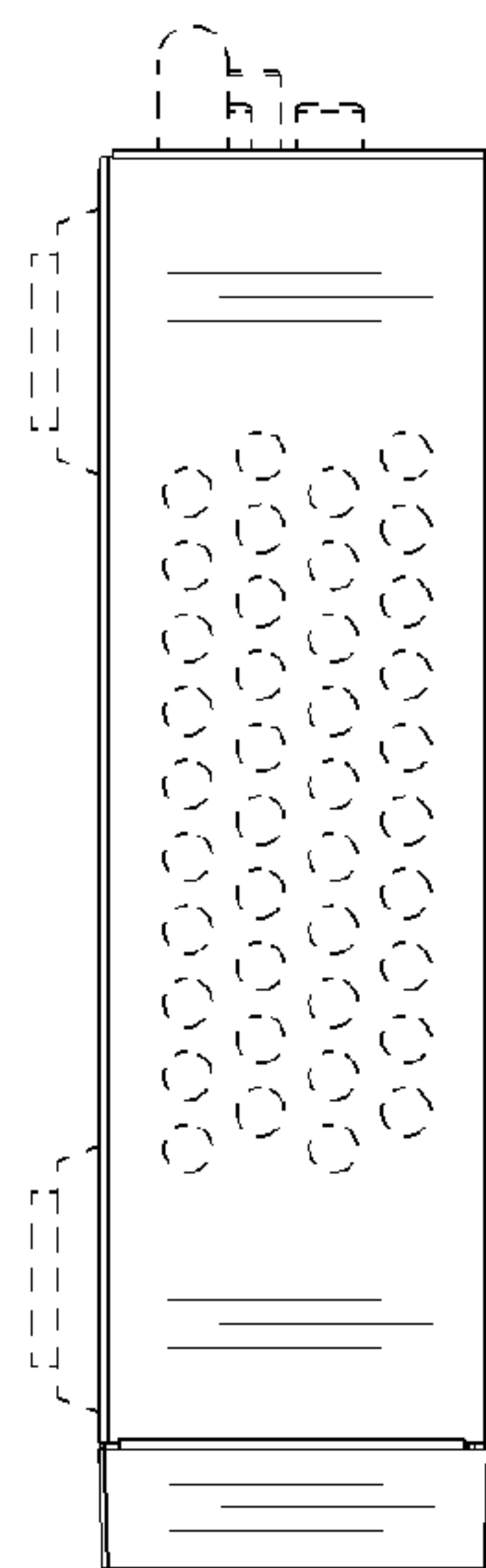


**FIG. 2**

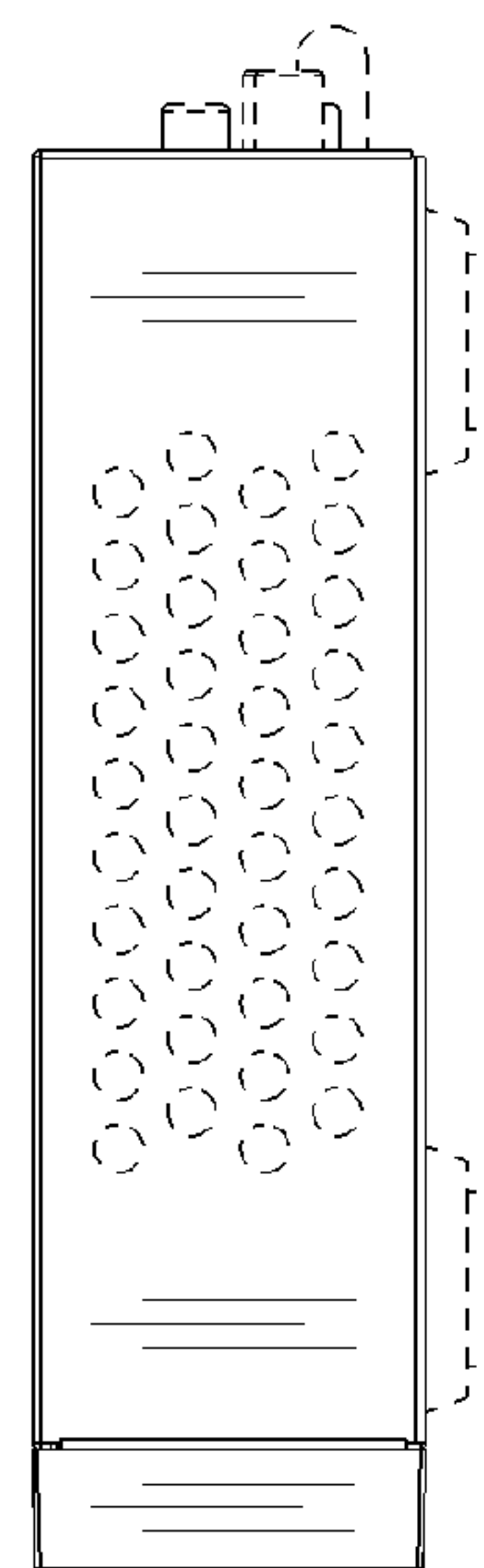


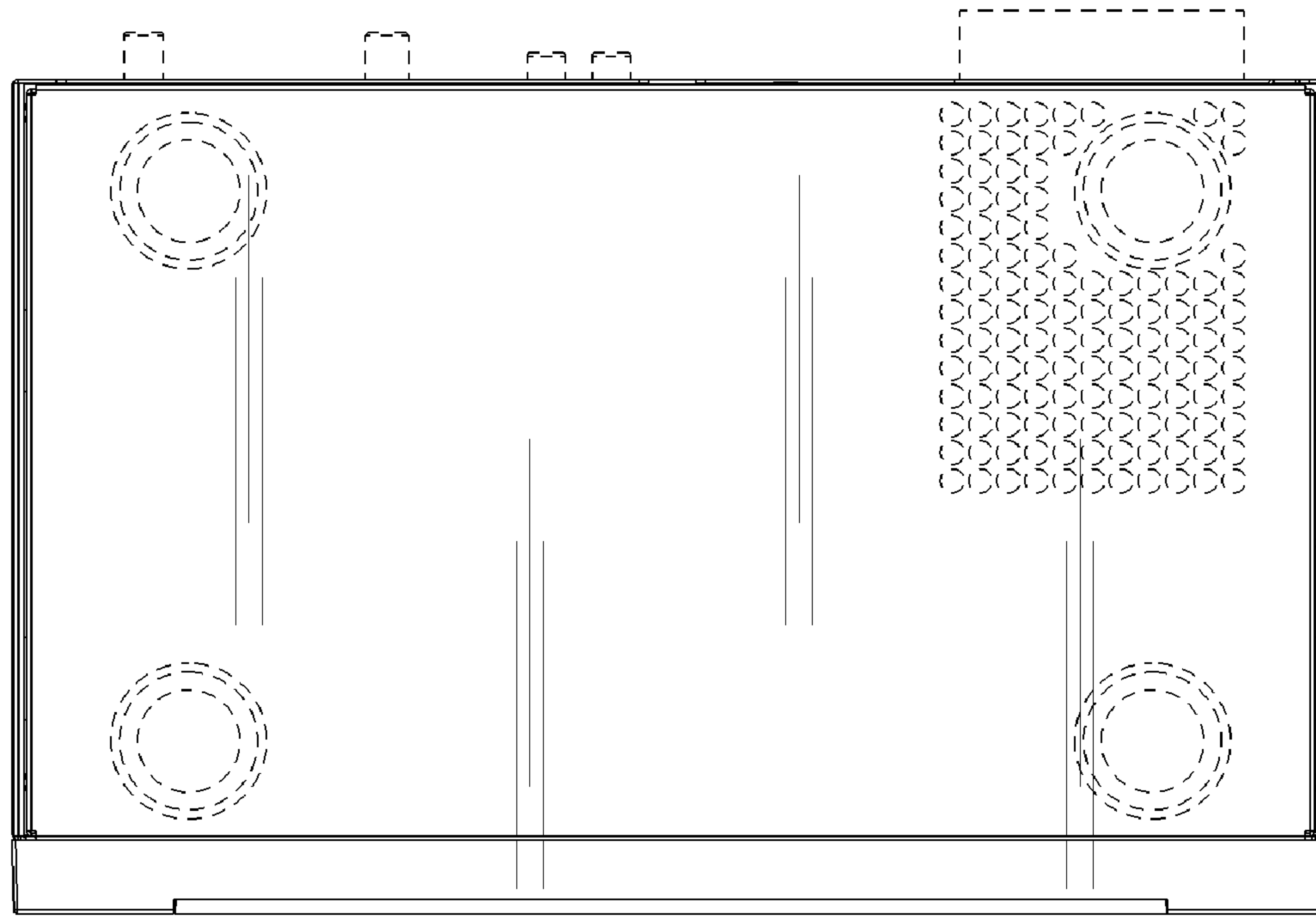
**FIG. 3**

**FIG. 4**

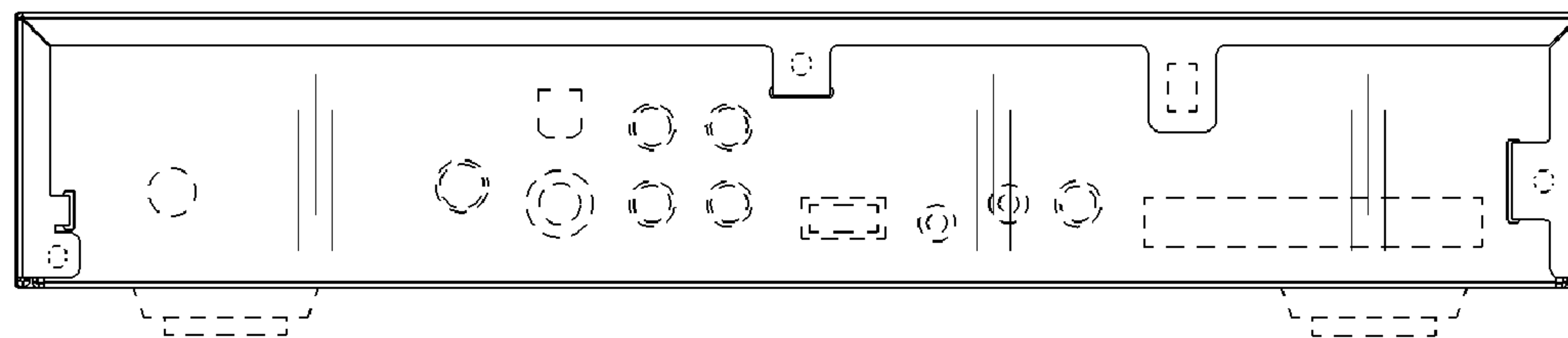


**FIG. 5**





***FIG. 6***



***FIG. 7***