

US00D572668S

(12) **United States Design Patent**
Nan

(10) **Patent No.:** **US D572,668 S**
(45) **Date of Patent:** **** Jul. 8, 2008**

(54) **VIBRATOR CONTROLLER**

2004/0193080 A1* 9/2004 Siddhartha 601/72

(75) Inventor: **Simon Siu Man Nan**, Richmond Hill (CA)

(73) Assignee: **Nanma Manufacturing Co., Ltd.**, Hong Kong (CN)

(**) Term: **14 Years**

(21) Appl. No.: **29/245,685**

(22) Filed: **Dec. 28, 2005**

Related U.S. Application Data

(63) Continuation-in-part of application No. 29/239,053, filed on Sep. 23, 2005, now Pat. No. Des. 544,451.

(51) **LOC (8) Cl.** **13-03**

(52) **U.S. Cl.** **D13/174; D13/158**

(58) **Field of Classification Search** D13/158-168, D13/118, 122, 123, 179, 171, 184; D14/371, D14/240, 239; D10/46, 49, 96; D24/215; 361/728, 729, 736, 740, 752, 761; 315/291, 315/294, 295; 362/559, 225; 700/17-32; 345/173, 156; 439/761, 341

See application file for complete search history.

(56) **References Cited**

U.S. PATENT DOCUMENTS

- D377,337 S * 1/1997 Schaeffer D13/171
- D379,798 S * 6/1997 McGrath et al. D13/168
- D429,819 S * 8/2000 Coolidge D24/215
- D432,997 S * 10/2000 Bonn D13/174
- D462,667 S * 9/2002 Donofrio et al. D13/168
- D486,127 S * 2/2004 Donofrio et al. D13/168
- D499,811 S * 12/2004 Nan D24/215
- D507,543 S * 7/2005 Ishii et al. D13/174
- D511,145 S * 11/2005 Donofrio et al. D13/168
- D515,770 S * 2/2006 Ryan et al. D34/35
- D523,963 S * 6/2006 Telford D24/215

OTHER PUBLICATIONS

Doc Johnson I vibe Vibrator Controller & Egg, Strawberry, <http://www.vitadigest.com/doc-i-vibe-egg-straw.html>, dated Dec. 27, 2005, 1 page.

Pussy Pleaser, <http://mojogarden.com/index.asp?PageAction=VIEWPROD&ProdID=518>, dated Dec. 27, 2005, 1 page.

Deep Penetrating Latex Dong, <http://mojogarden.com/index.asp?PageAction=VIEWPROD&ProdID=541>, dated Dec. 27, 2005, 1 page.

Clit Klaser, <http://motogarden.com/Index.asp?PageAction=VIEWPROD&ProdID=516>, dated Dec. 27, 2005, 2 page.

* cited by examiner

Primary Examiner—Selina Sikder

Assistant Examiner—Thomas J Johannes

(74) *Attorney, Agent, or Firm*—Ari M. Bai; Polsinelli Shalton Flanigan Suelthaus

(57) **CLAIM**

The ornamental design for a vibrator controller, as shown and described.

DESCRIPTION

The application file contains at least one photograph in color. Copies of this patent application publication with color photographs will be provided by the Office upon request and payment of the necessary fee.

FIG. 1 is a perspective view of the vibrator controller showing my new design.

FIG. 2 is a side view of the design shown in FIG. 1.

FIG. 3 is an opposing side view thereof, rotated 180° from that shown in FIG. 2.

FIG. 4 is an end view of the vibrator controller shown in FIG. 1; and,

FIG. 5 is an opposing end view thereof, rotated 180° from that shown in FIG. 4.

1 Claim, 1 Drawing Sheet
(1 of 1 Drawing Sheet(s) Filed in Color)

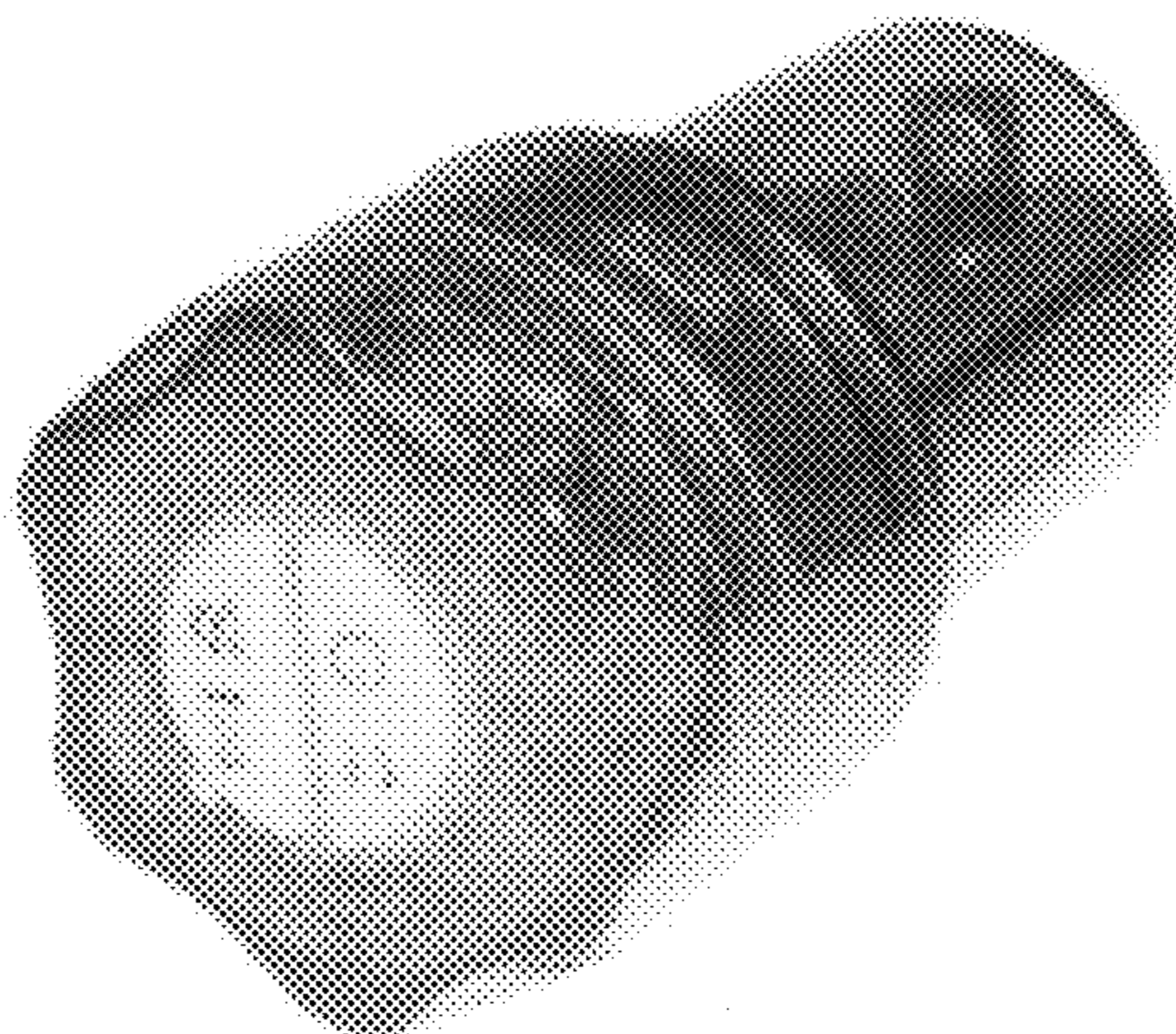




Fig. 1

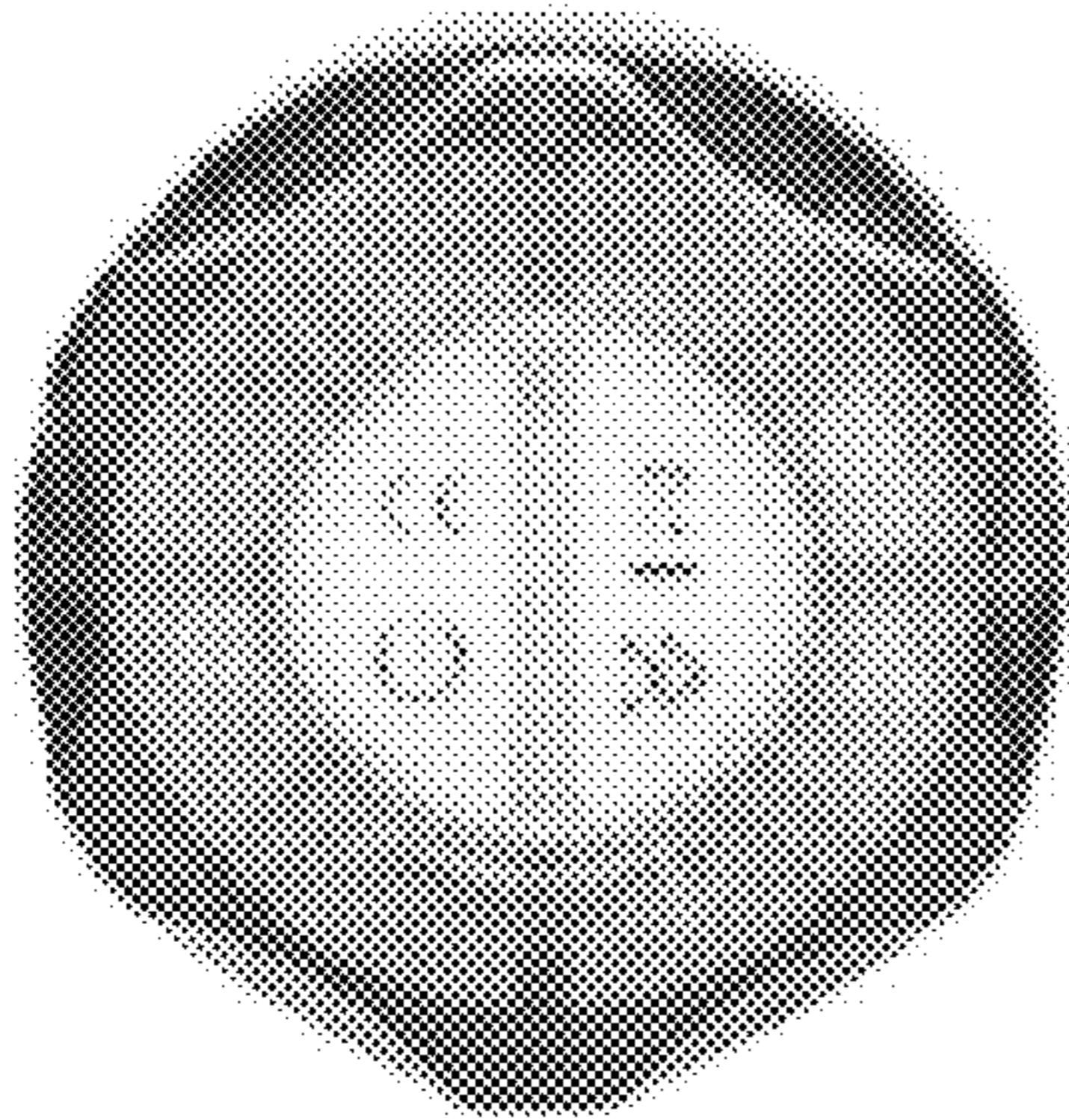


Fig. 4

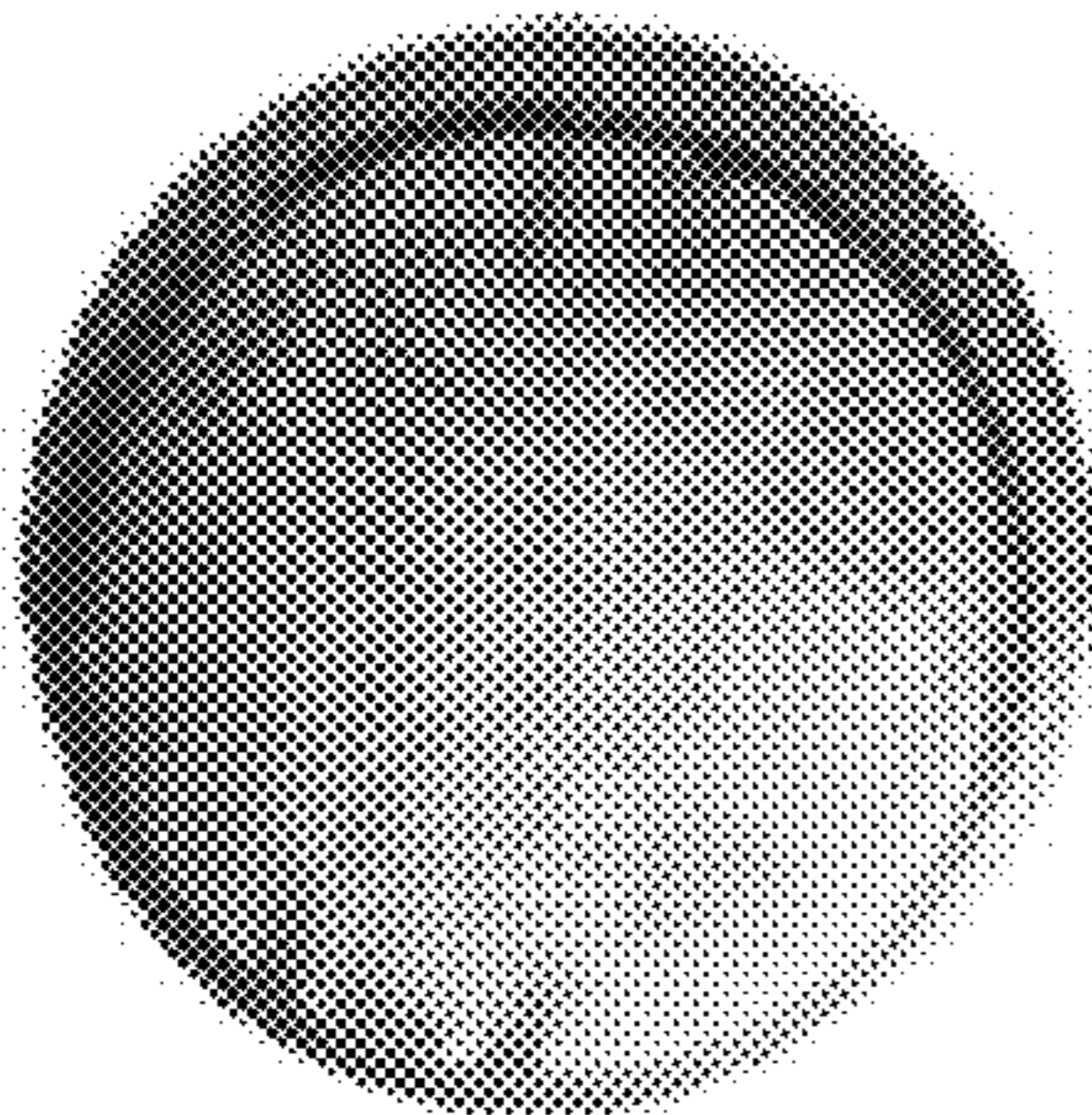


Fig. 5

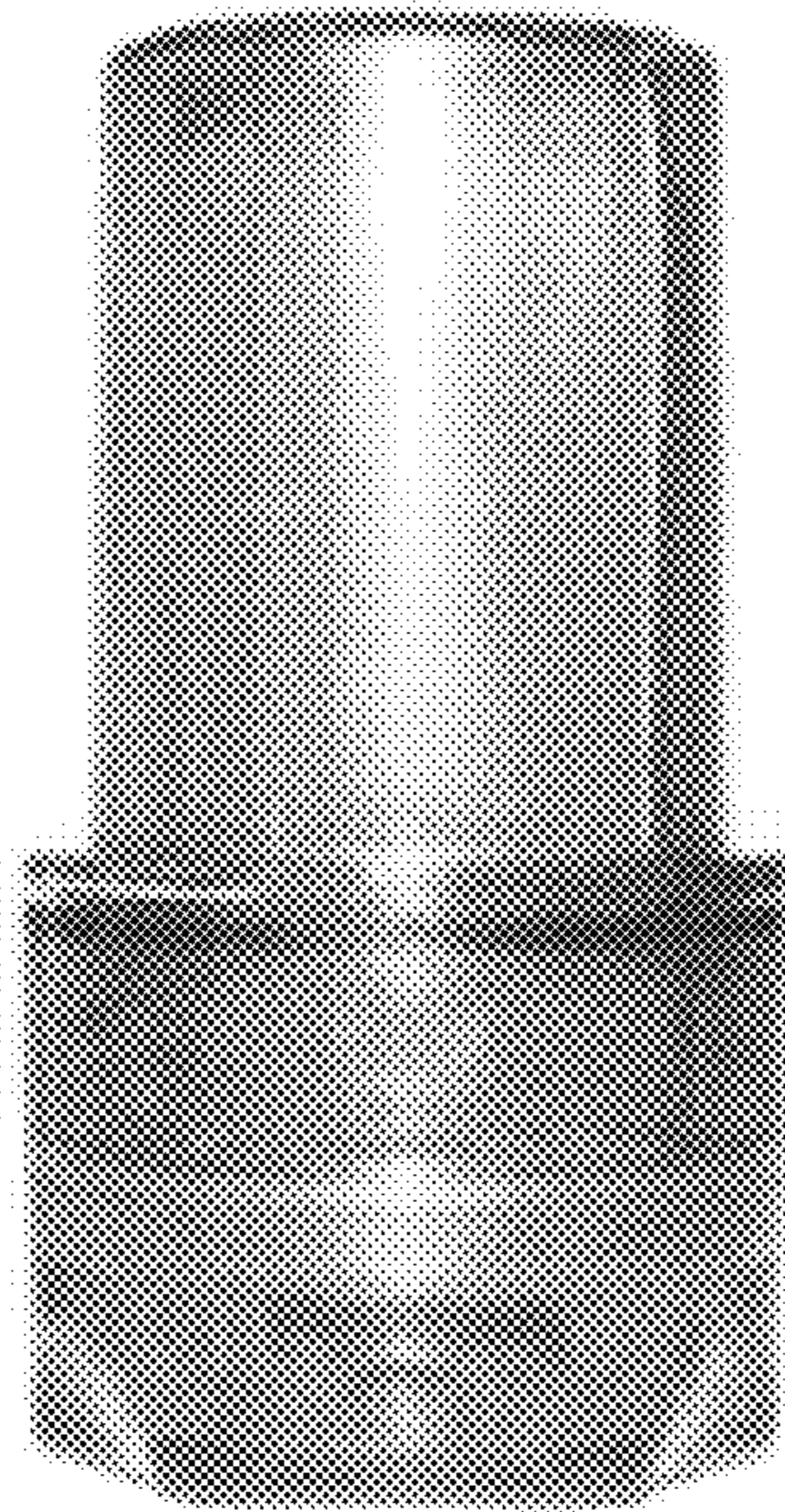


Fig. 3

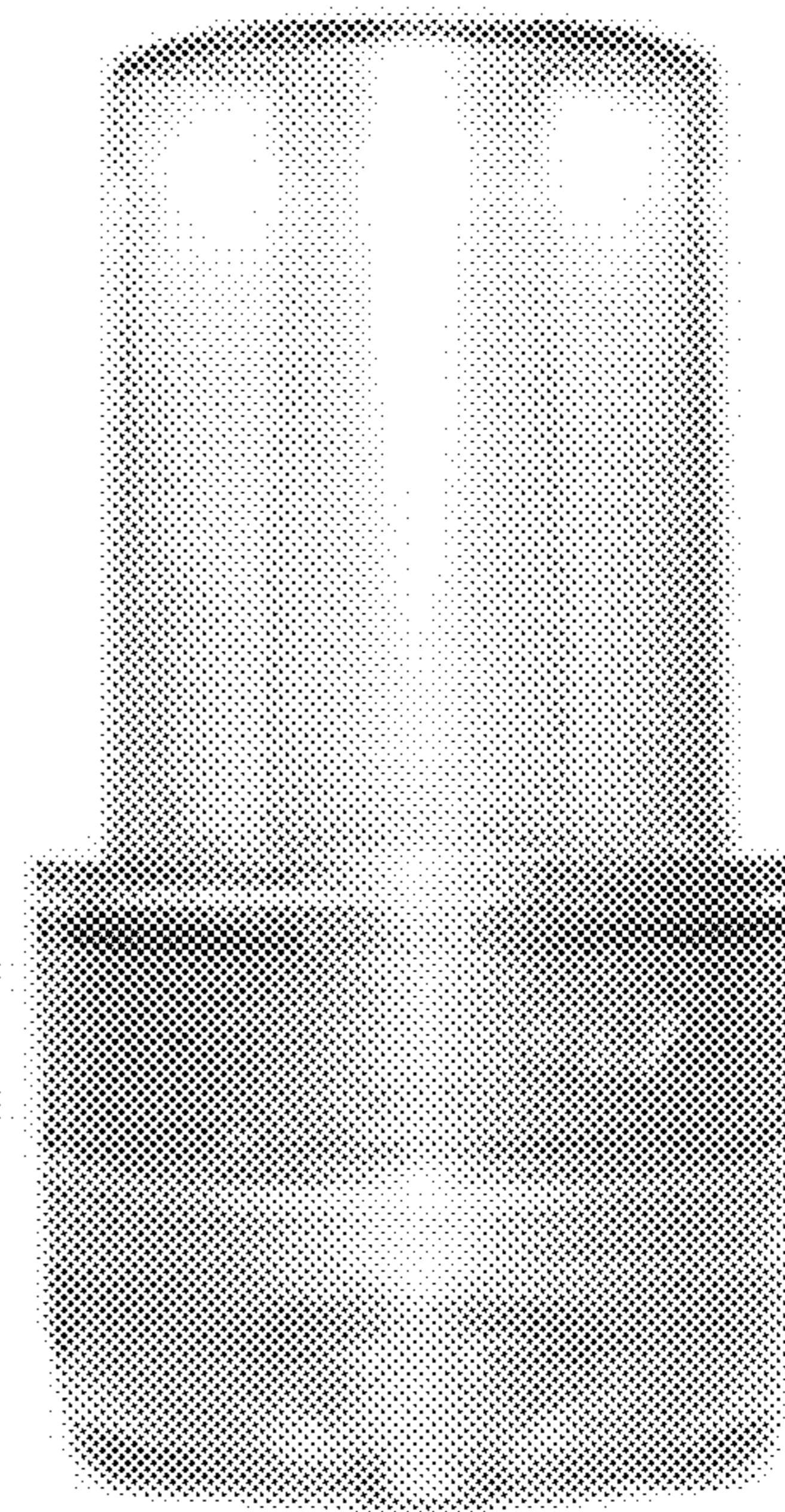


Fig. 2