



US00D572667S

(12) **United States Design Patent**
Mayo et al.

(10) **Patent No.:** **US D572,667 S**
(45) **Date of Patent:** **** Jul. 8, 2008**

(54) **DIMMER SWITCH**

6,963,040 B1 11/2005 Urman

(75) Inventors: **Noel Mayo**, Philadelphia, PA (US); **Joel S. Spira**, Coopersburg, PA (US)

FOREIGN PATENT DOCUMENTS

EM 000249248-0003 1/2005
EM 000249248-0004 1/2005
EM 000249248-0005 1/2005

(73) Assignee: **Lutron Electronics Co., Inc.**,
Coopersburg, PA (US)

Primary Examiner—Selina Sikder

(**) Term: **14 Years**

(74) *Attorney, Agent, or Firm*—Mark E. Rose

(21) Appl. No.: **29/284,016**

(57) **CLAIM**

(22) Filed: **Aug. 29, 2007**

We claim the ornamental design for a dimmer switch, as shown and described.

Related U.S. Application Data

DESCRIPTION

(62) Division of application No. 29/261,693, filed on Jun. 19, 2006.

FIG. 1 is a perspective view of a dimmer switch according to a first embodiment of our new design.

(51) **LOC (8) Cl.** **13-03**

FIG. 2 is a front view thereof.

(52) **U.S. Cl.** **D13/170**

FIG. 3 is a left side view thereof.

(58) **Field of Classification Search** D13/162,
D13/169, 170; 174/66; 200/520, 531, 536,
200/252, 293, 333, 335, 329; 338/128, 176;
D8/353; 307/116, 125, 139

FIG. 4 is a right side view thereof.

FIG. 5 is a top view thereof.

See application file for complete search history.

FIG. 6 is a bottom view thereof.

FIG. 7 is a perspective view of a dimmer switch according to a second embodiment of our new design.

(56) **References Cited**

U.S. PATENT DOCUMENTS

3,693,129 A 9/1972 Shimizu
4,196,406 A 4/1980 Salem
4,246,494 A 1/1981 Foreman et al.
4,559,515 A 12/1985 Takezawa
4,947,054 A 8/1990 Flowers et al.
5,118,910 A 6/1992 Duhon et al.
5,196,782 A 3/1993 D'Aleo et al.
5,338,910 A 8/1994 Tsai
D380,451 S 7/1997 Krajci et al.
5,825,279 A 10/1998 Yagi
D453,742 S 2/2002 Butler et al.

FIG. 8 is a front view thereof.

FIG. 9 is a left side view thereof.

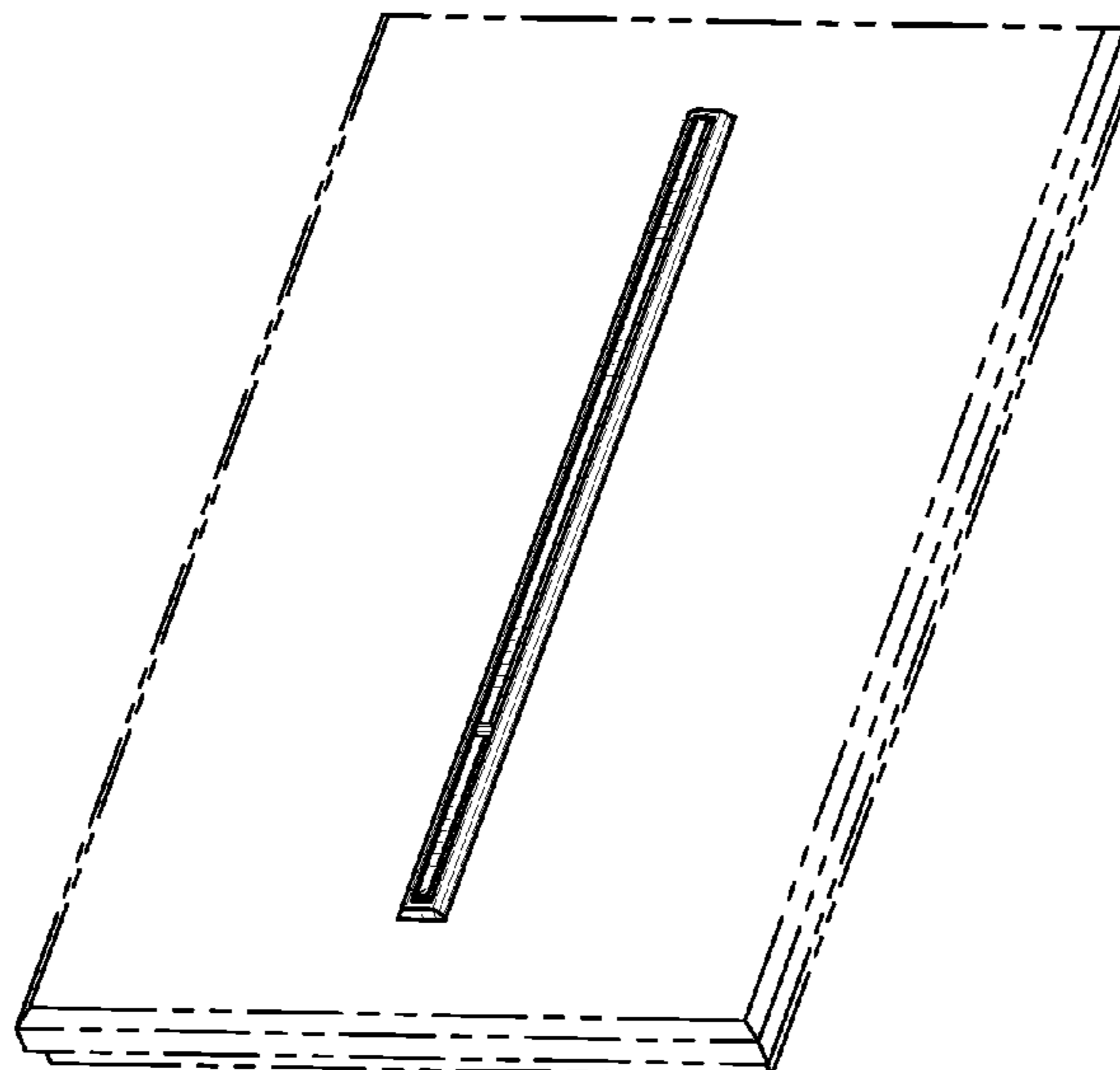
FIG. 10 is a right side view thereof.

FIG. 11 is a top view thereof; and,

FIG. 12 is a bottom view thereof.

The rear views form no part of the design and are omitted. The portions of the drawings appearing in broken line are for environment only and do not form a part of the design.

1 Claim, 8 Drawing Sheets



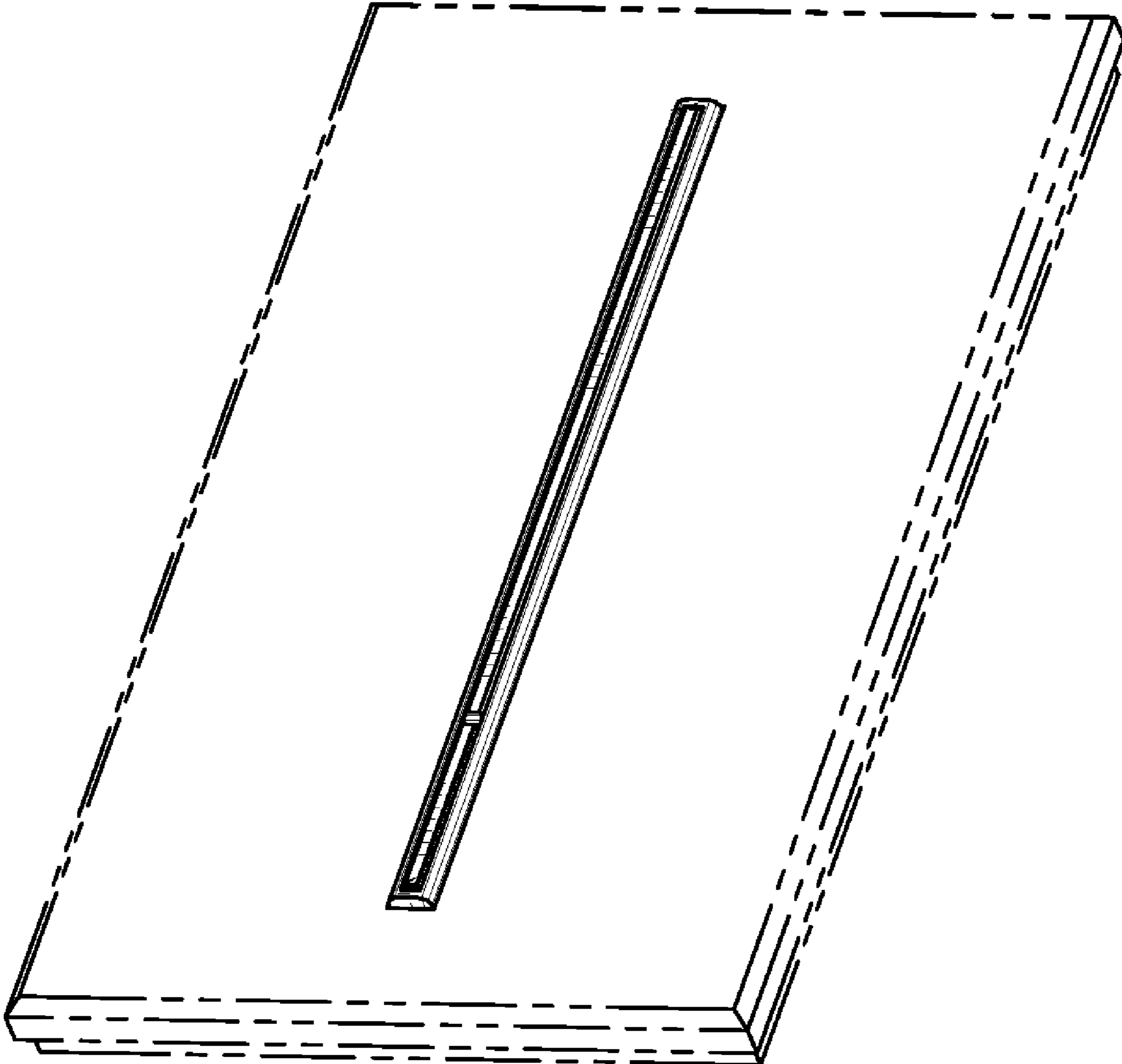


Fig. 1

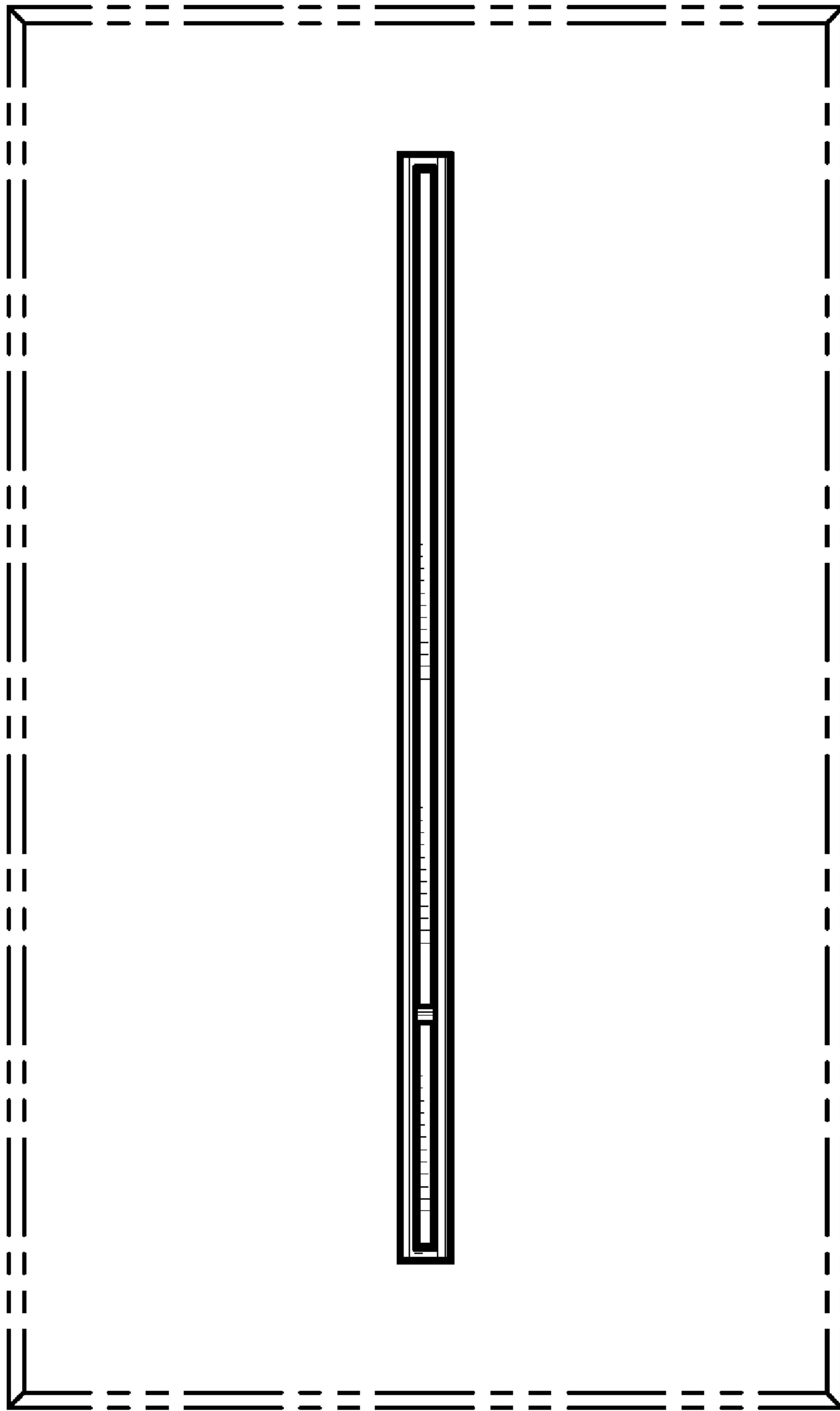


Fig. 2

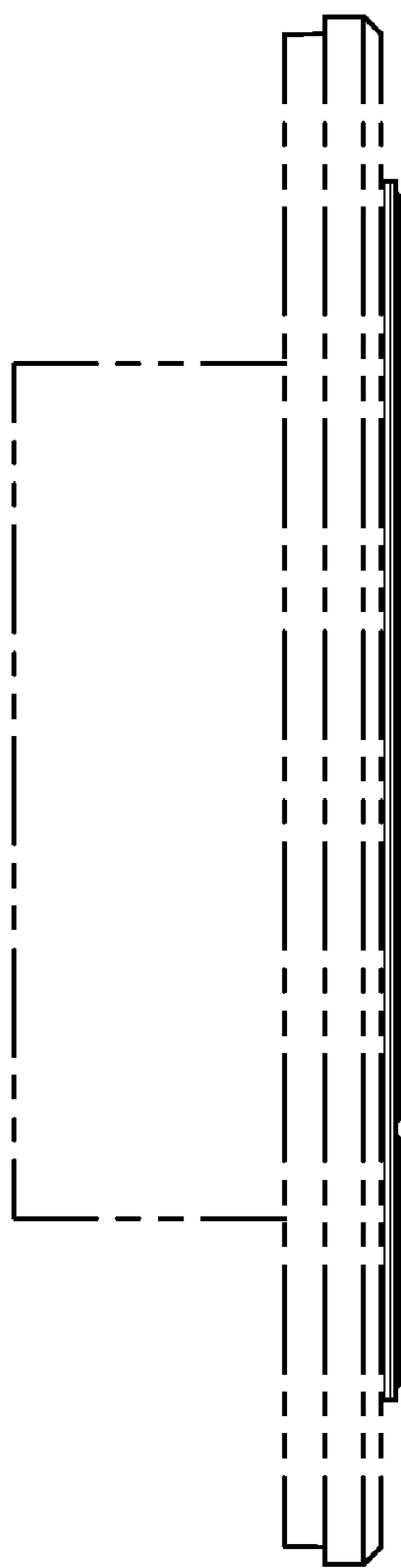


Fig. 3

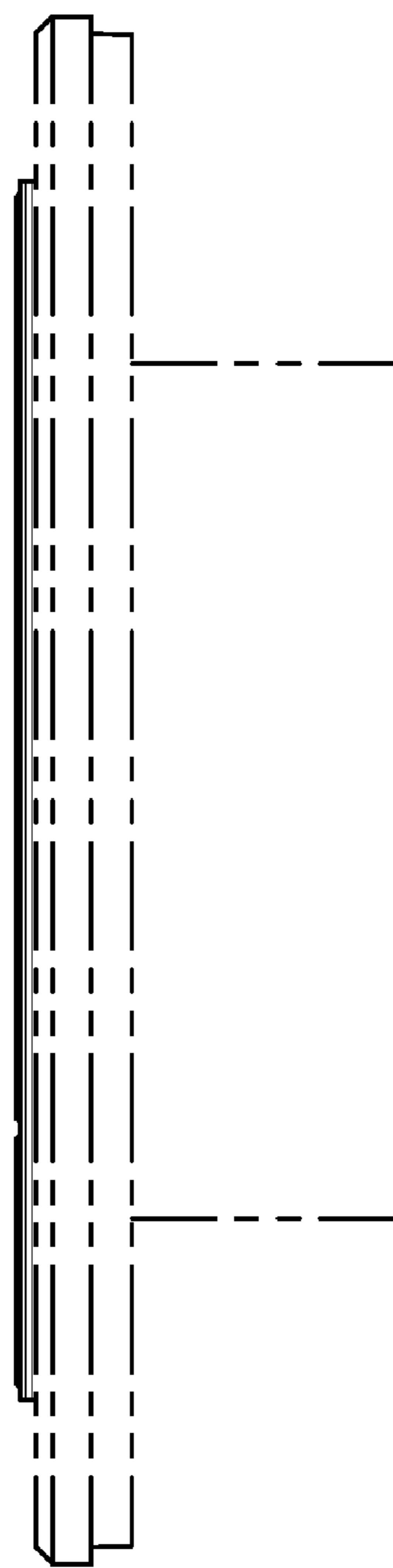


Fig. 4

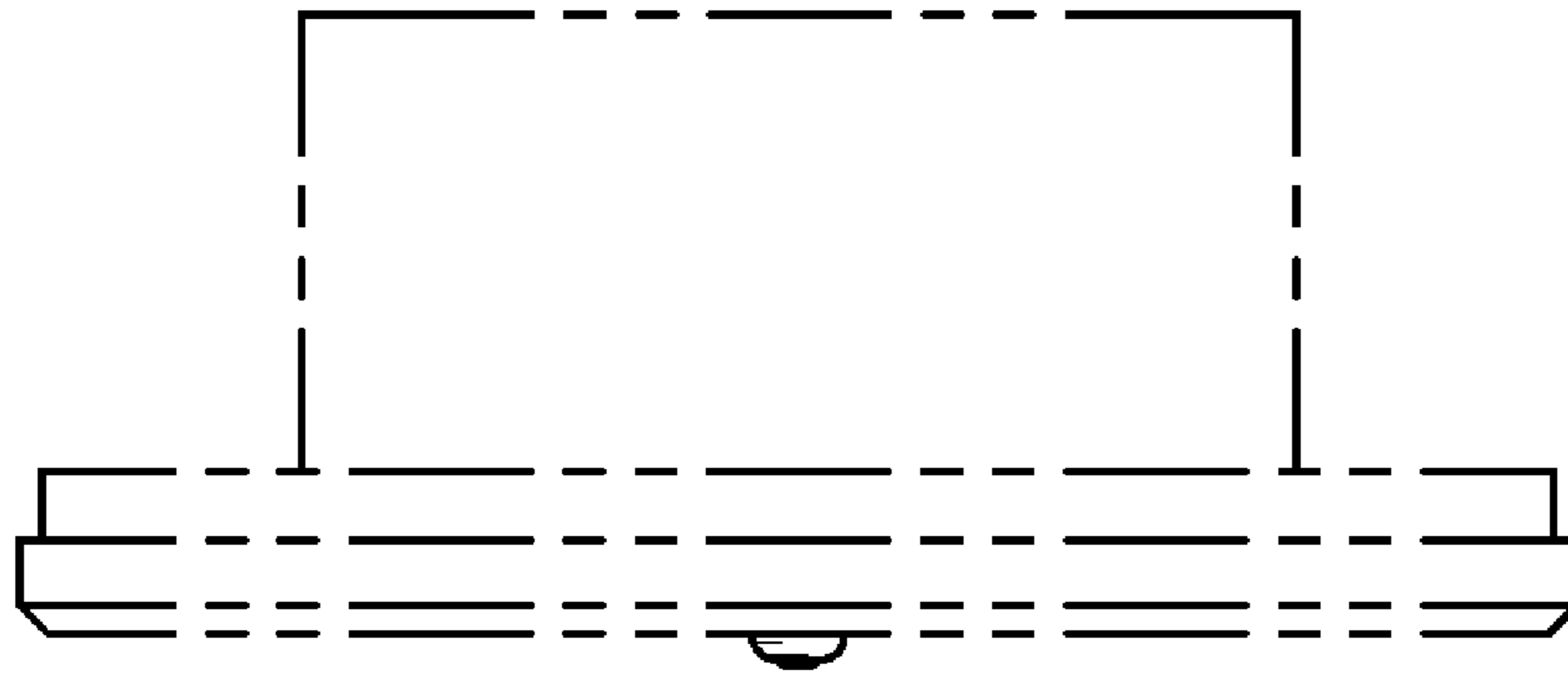


Fig. 5

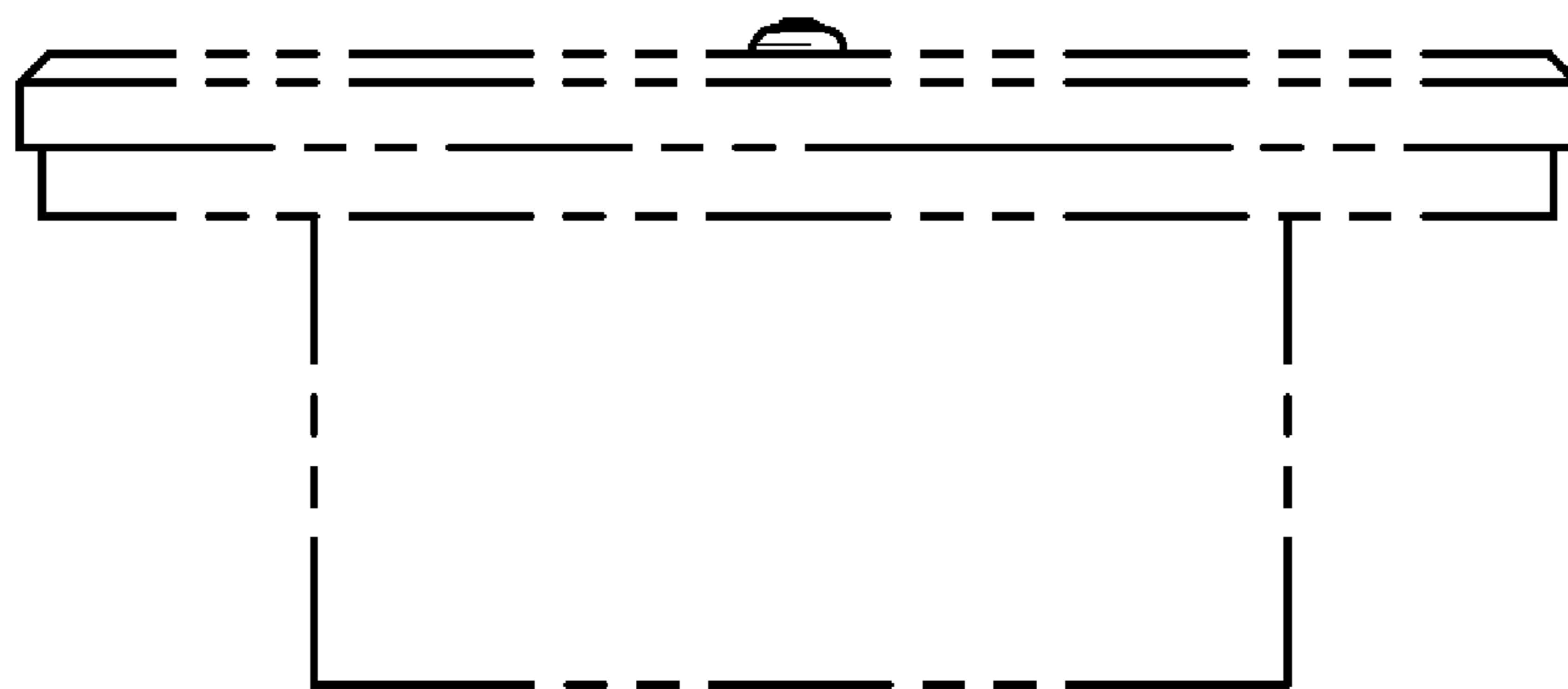


Fig. 6

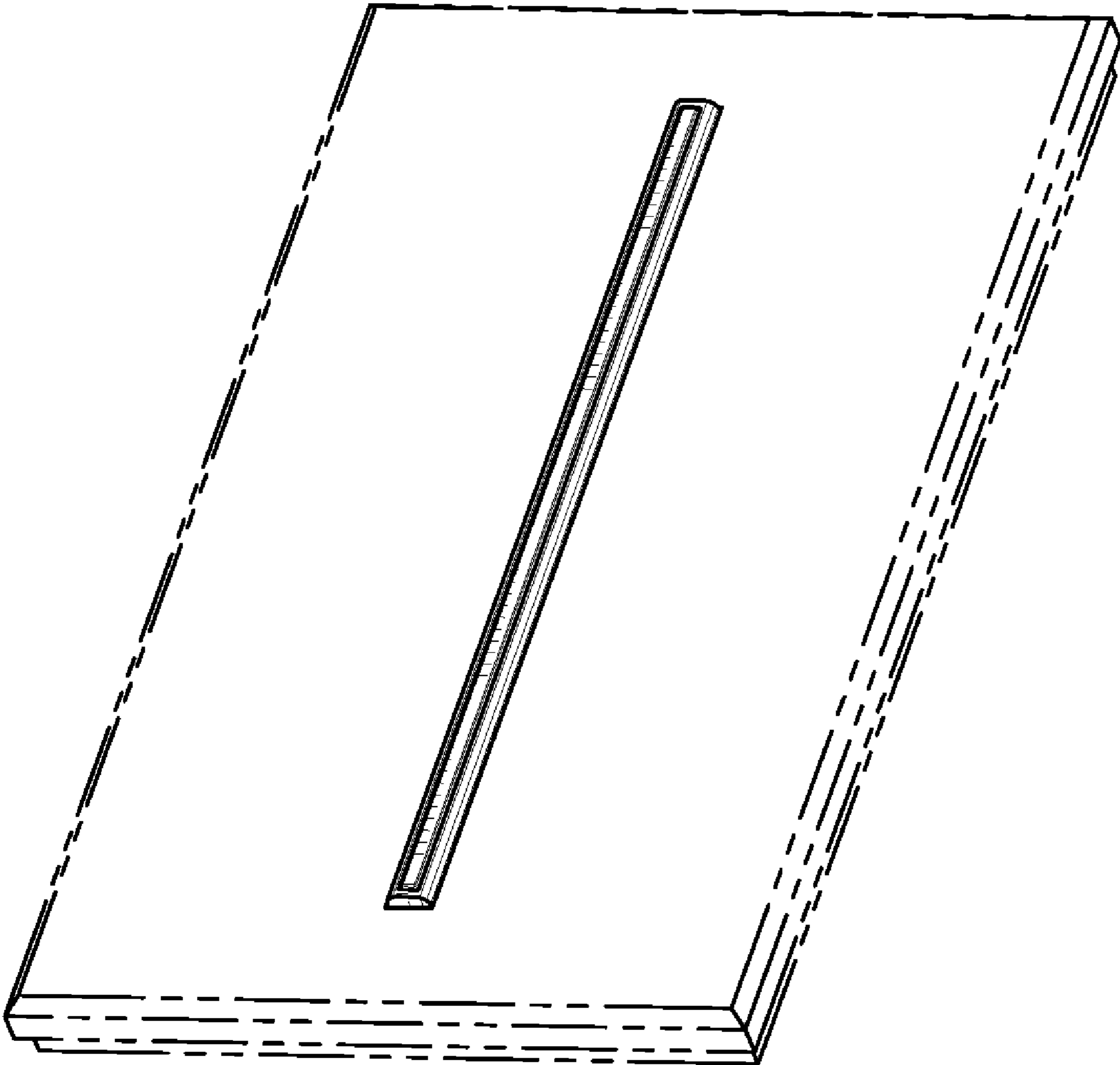


Fig. 7

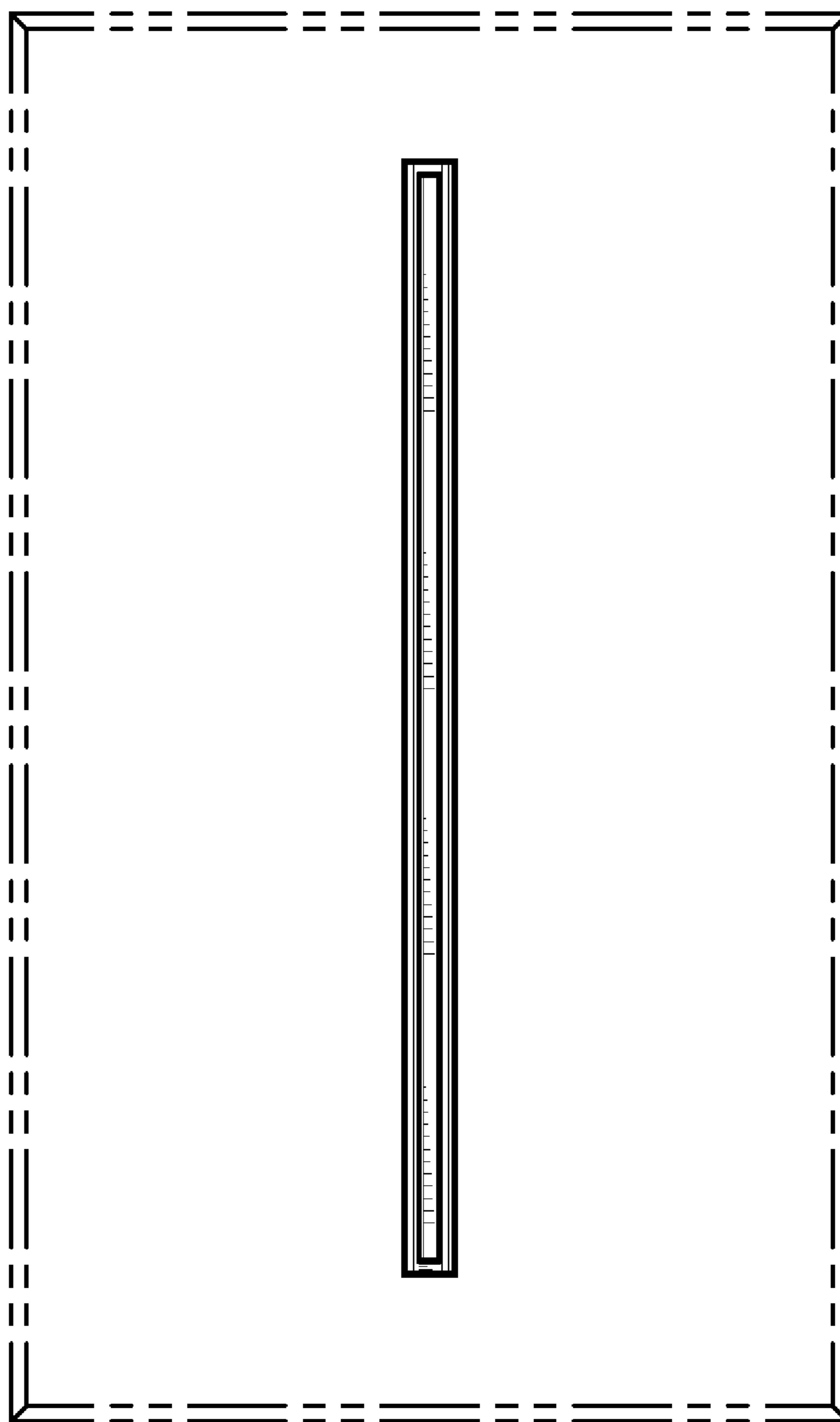


Fig. 8

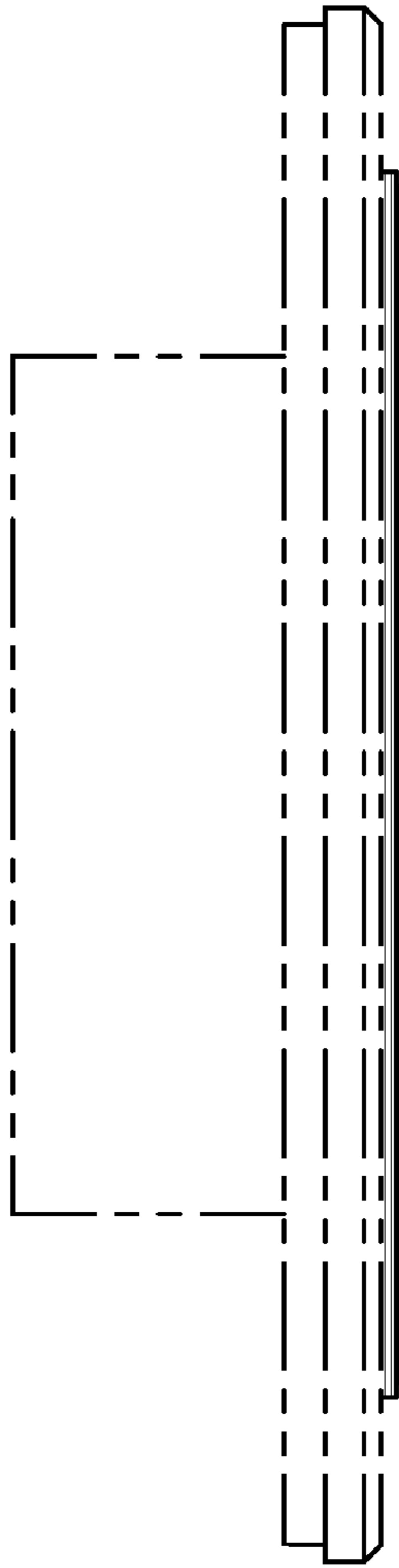


Fig. 9

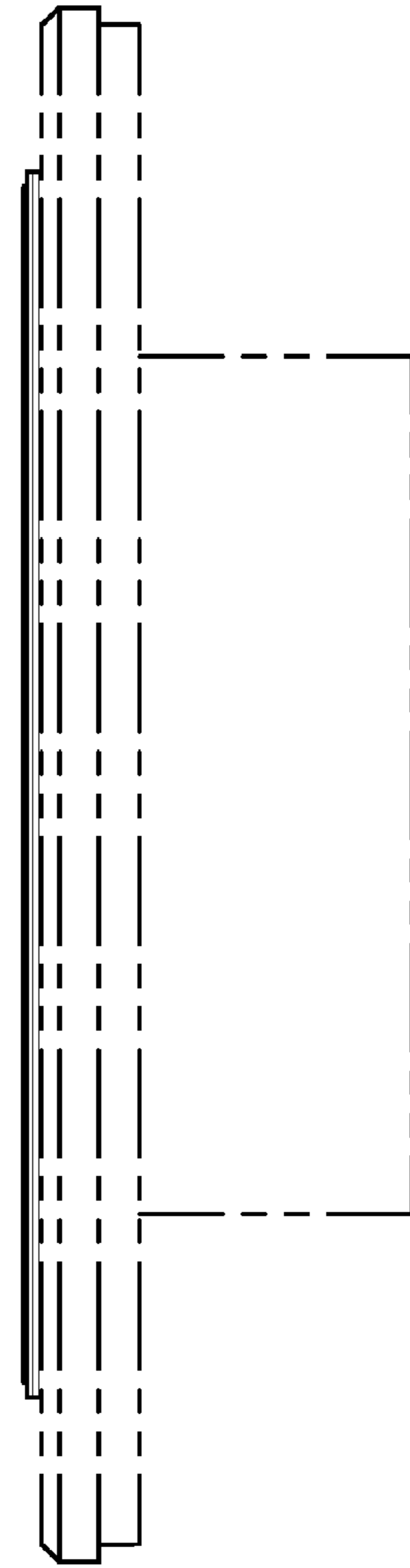


Fig. 10

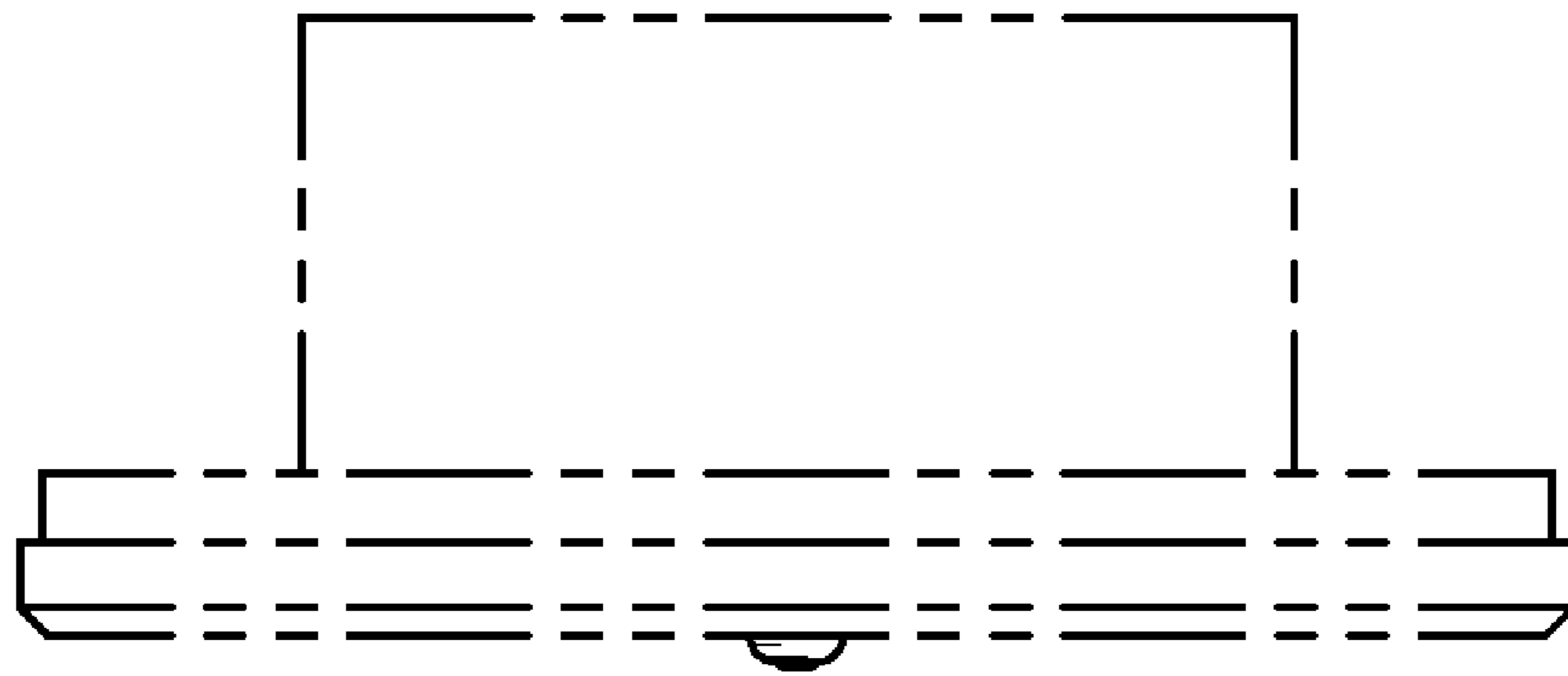


Fig. 11

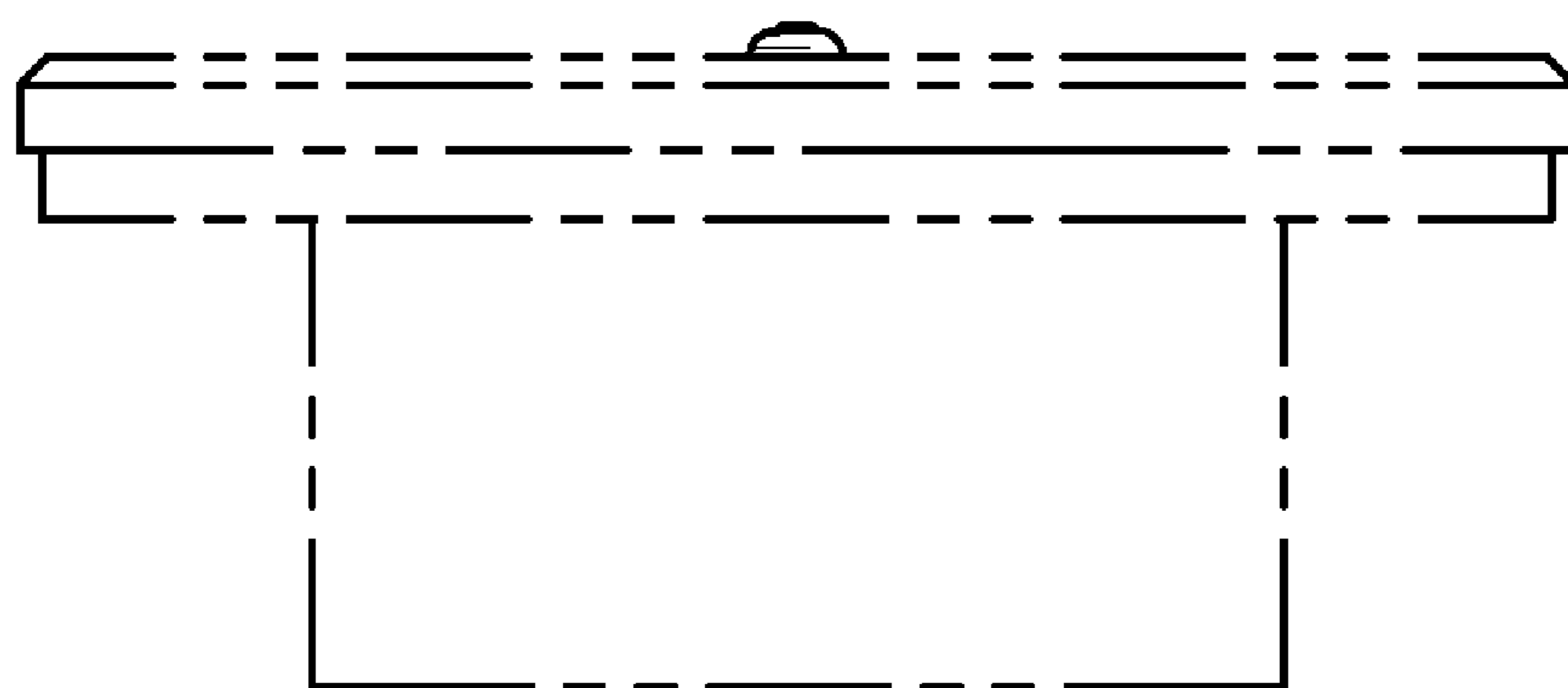


Fig. 12