

US00D572662S

(12) **United States Design Patent**
Haber

(10) **Patent No.:** **US D572,662 S**

(45) **Date of Patent:** **** Jul. 8, 2008**

(54) **SOCKET**

(75) Inventor: **Joseph Haber**, Brooklyn, NY (US)

(73) Assignee: **NCC NY, LLC**, Brooklyn, NY (US)

(**) Term: **14 Years**

(21) Appl. No.: **29/281,554**

(22) Filed: **Jun. 26, 2007**

(51) **LOC (8) Cl.** **13-02**

(52) **U.S. Cl.** **D13/139.8**

(58) **Field of Classification Search** D13/137.1,
D13/137.3, 137.4, 139.1, 139.4-139.8, 124,
D13/160, 162, 164, 178, 184; 439/106-108,
439/188, 535, 650-654

See application file for complete search history.

(56) **References Cited**

U.S. PATENT DOCUMENTS

D372,702 S *	8/1996	Sanner	D13/139.8
D381,315 S *	7/1997	Harold	D13/139.4
D411,981 S *	7/1999	Jeon-Chapman et al.	D13/139.6
D424,521 S *	5/2000	Yu	D13/139.6
D428,327 S *	7/2000	Stekelenburg	D8/359

D435,516 S *	12/2000	Stekelenburg	D13/139.8
D459,307 S *	6/2002	Nieto	D13/139.8
D469,403 S *	1/2003	Nieto	D13/137.2
D481,357 S *	10/2003	Stekelenburg	D13/139.8
D554,064 S *	10/2007	Ng	D13/139.8

* cited by examiner

Primary Examiner—Cathron Brooks

Assistant Examiner—Rosemary K Tarcza

(57) **CLAIM**

The ornamental design for a socket, as shown and described.

DESCRIPTION

FIG. 1 is a front right perspective view of a socket showing my new design;

FIG. 2 is a front elevation view thereof;

FIG. 3 is a rear elevation view thereof;

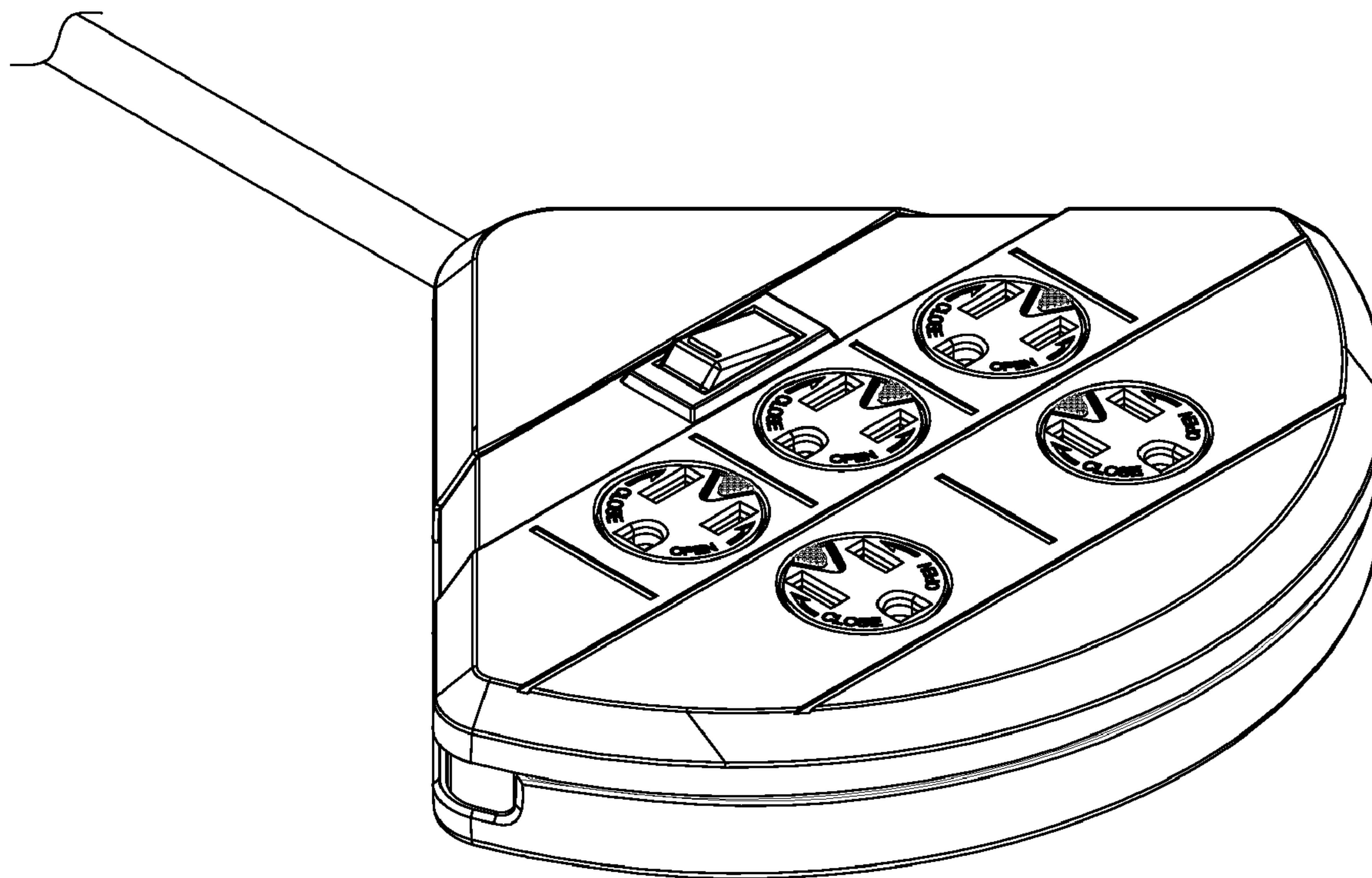
FIG. 4 is a left side elevation view thereof;

FIG. 5 is a right side elevation view thereof;

FIG. 6 is a top plan view thereof; and,

FIG. 7 is a bottom plan view thereof.

1 Claim, 5 Drawing Sheets



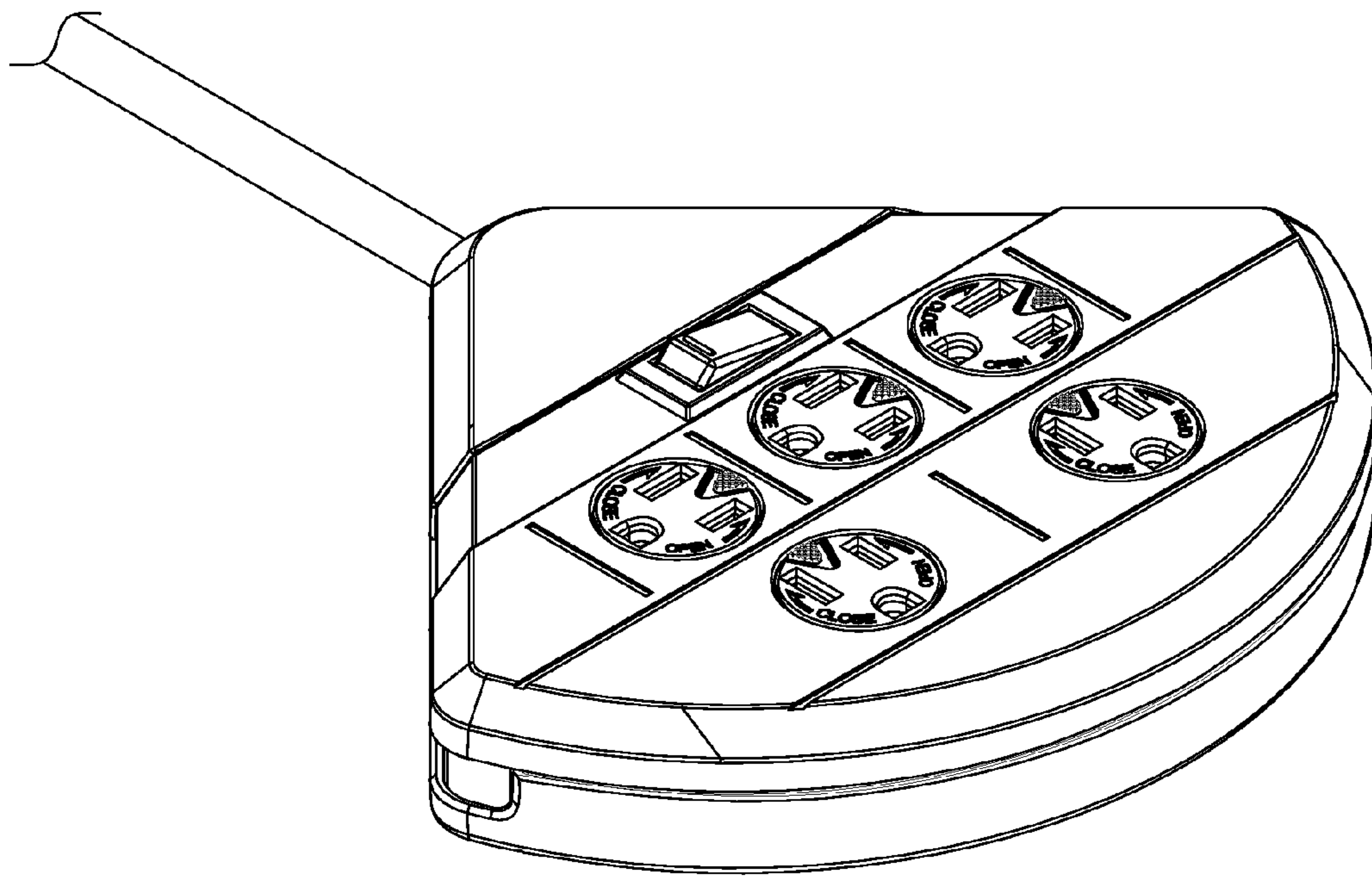


FIG. 1

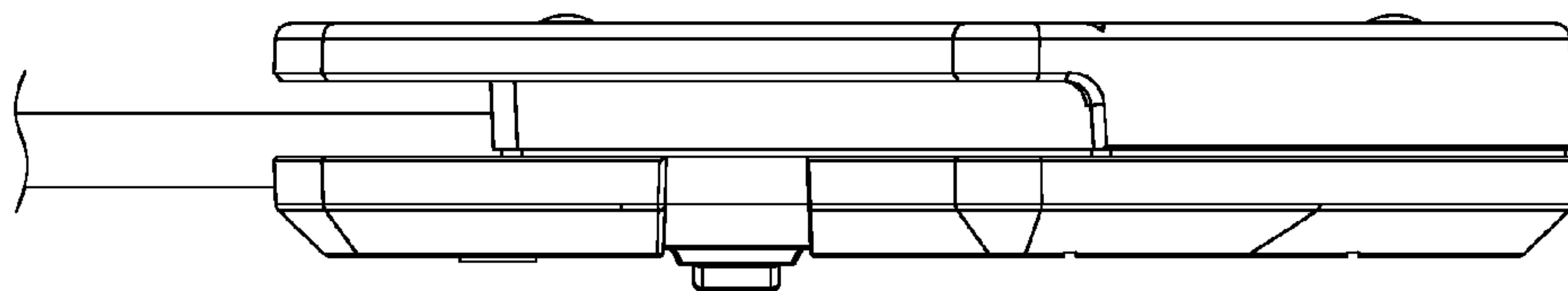


FIG. 3

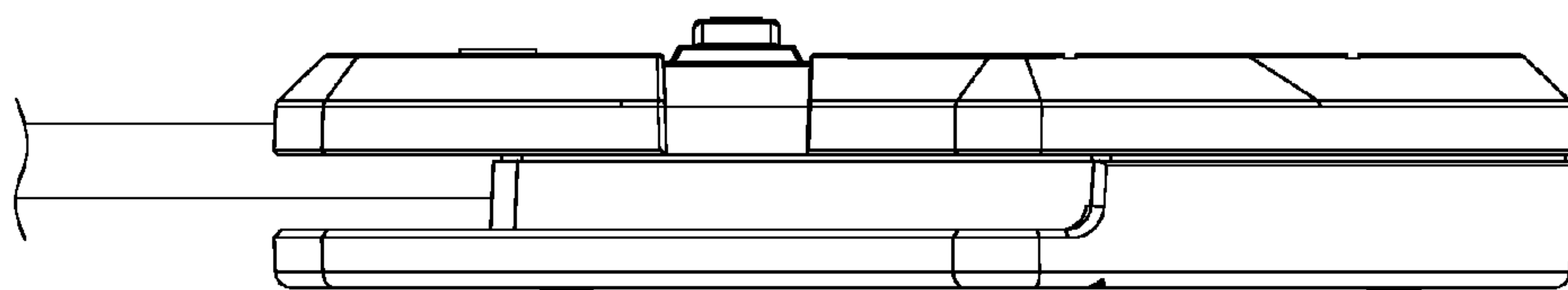


FIG. 2

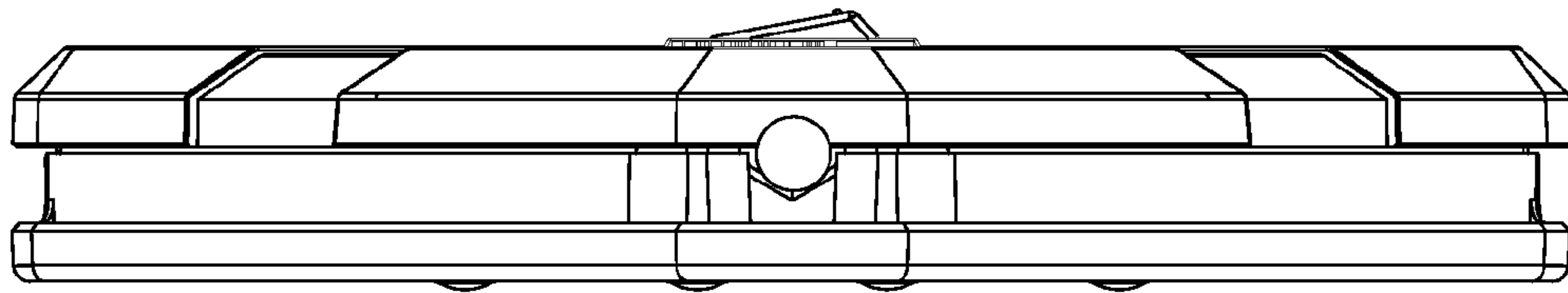


FIG. 4

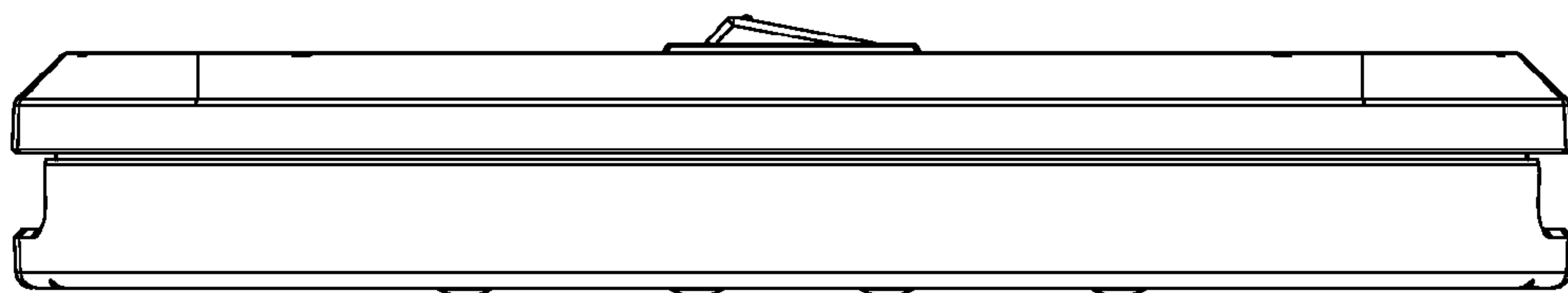


FIG. 5

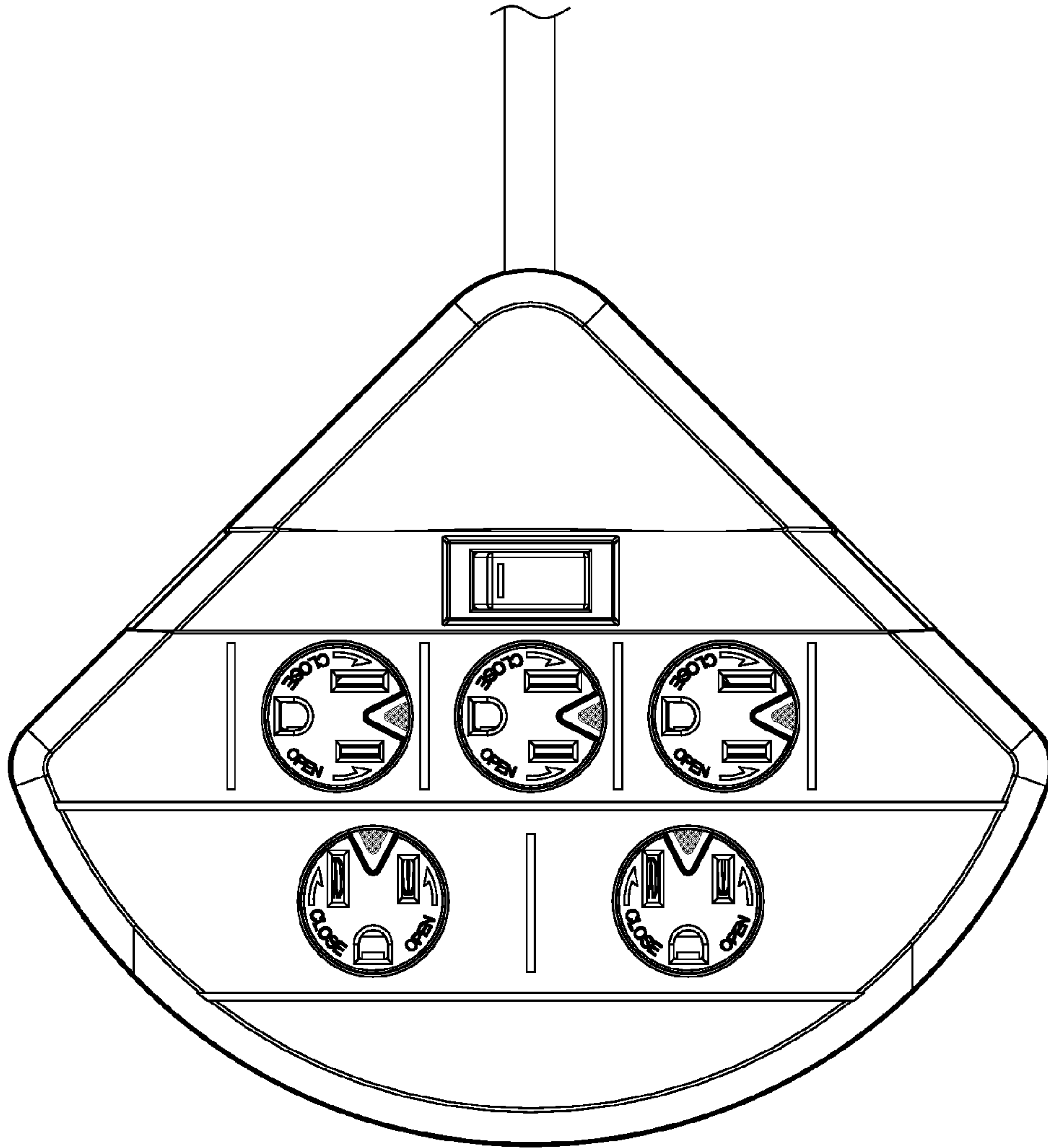


FIG. 6

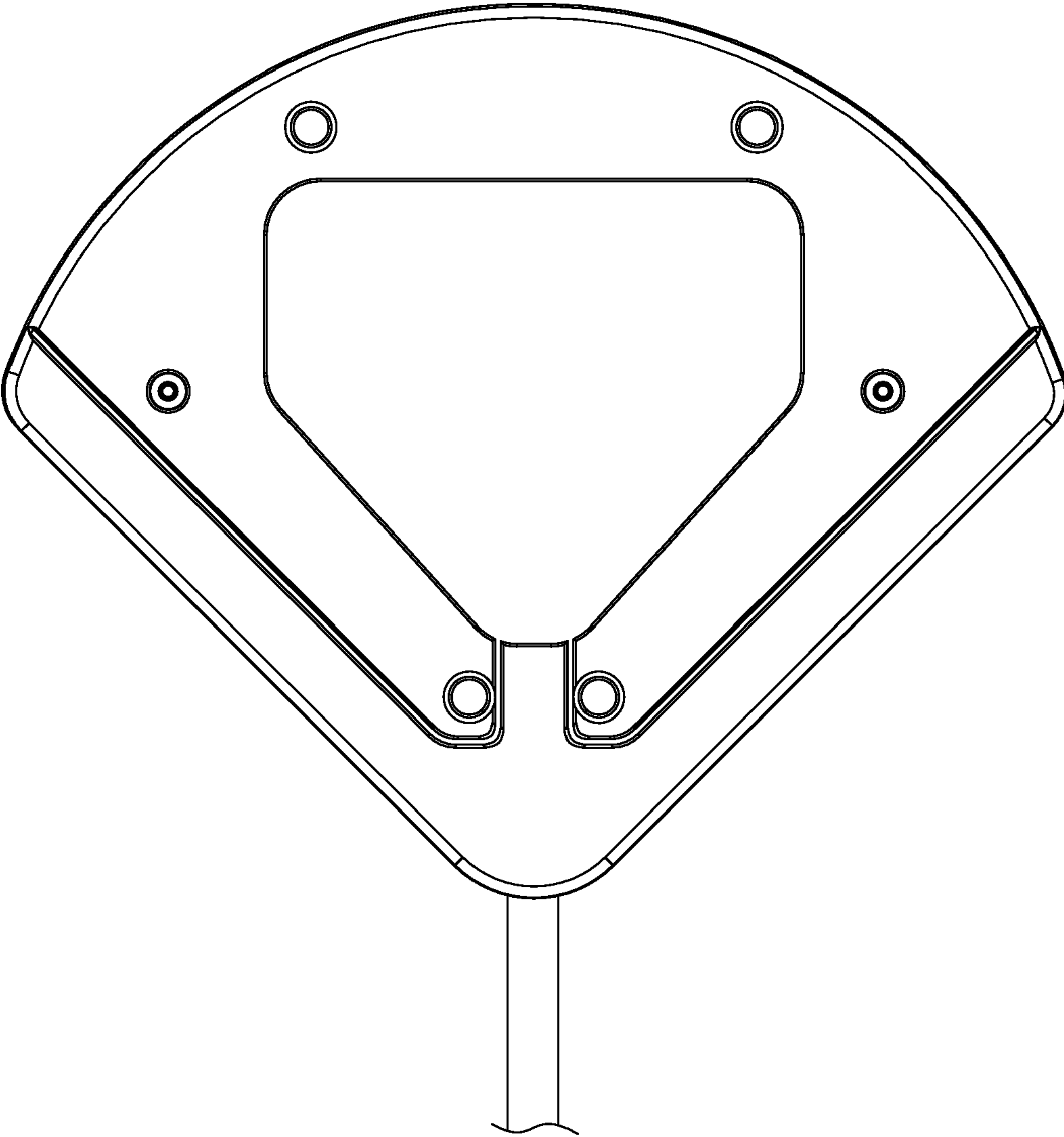


FIG. 7