



US00D572661S

(12) **United States Design Patent**
En Lin et al.

(10) **Patent No.:** **US D572,661 S**
(45) **Date of Patent:** **** Jul. 8, 2008**

(54) **DUST CAP FOR FIBER ADAPTER**
(75) Inventors: **Samuel I. En Lin**, Chu-Nan Town (TW);
Tomoyuki Mamiya, Marlborough, MA
(US)

(73) Assignee: **Senko Advanced Components, Inc.**,
Marlboro, MA (US)

(**) Term: **14 Years**

(21) Appl. No.: **29/279,989**

(22) Filed: **May 14, 2007**

(30) **Foreign Application Priority Data**
Dec. 15, 2006 (TW) 095306938

(51) **LOC (8) Cl.** **13-03**

(52) **U.S. Cl.** **D13/133**

(58) **Field of Classification Search** D13/133,
D13/134, 146, 147, 149, 154, 184, 199; 439/353,
439/488, 586, 620, 682, 685, 752; 381/384,
381/394

See application file for complete search history.

(56) **References Cited**

U.S. PATENT DOCUMENTS

D323,143 S * 1/1992 Ohkura et al. D13/133
6,227,717 B1 * 5/2001 Ott et al. 385/53

D533,504 S * 12/2006 Lee D13/133
D534,124 S * 12/2006 Taguchi D13/133
D543,146 S * 5/2007 Chen et al. D13/133
D558,675 S * 1/2008 Chien et al. D13/133
2007/0149062 A1 * 6/2007 Long et al. 439/668

* cited by examiner

Primary Examiner—Daniel D Bui

Assistant Examiner—Thomas J Johannes

(74) *Attorney, Agent, or Firm*—Pepper Hamilton LLP

(57) **CLAIM**

The ornamental design for a dust cap for fiber adapter, as shown and described.

DESCRIPTION

FIG. 1 is a perspective view of a dust cap for fiber adapter showing my new design;

FIG. 2 is a top plan view thereof;

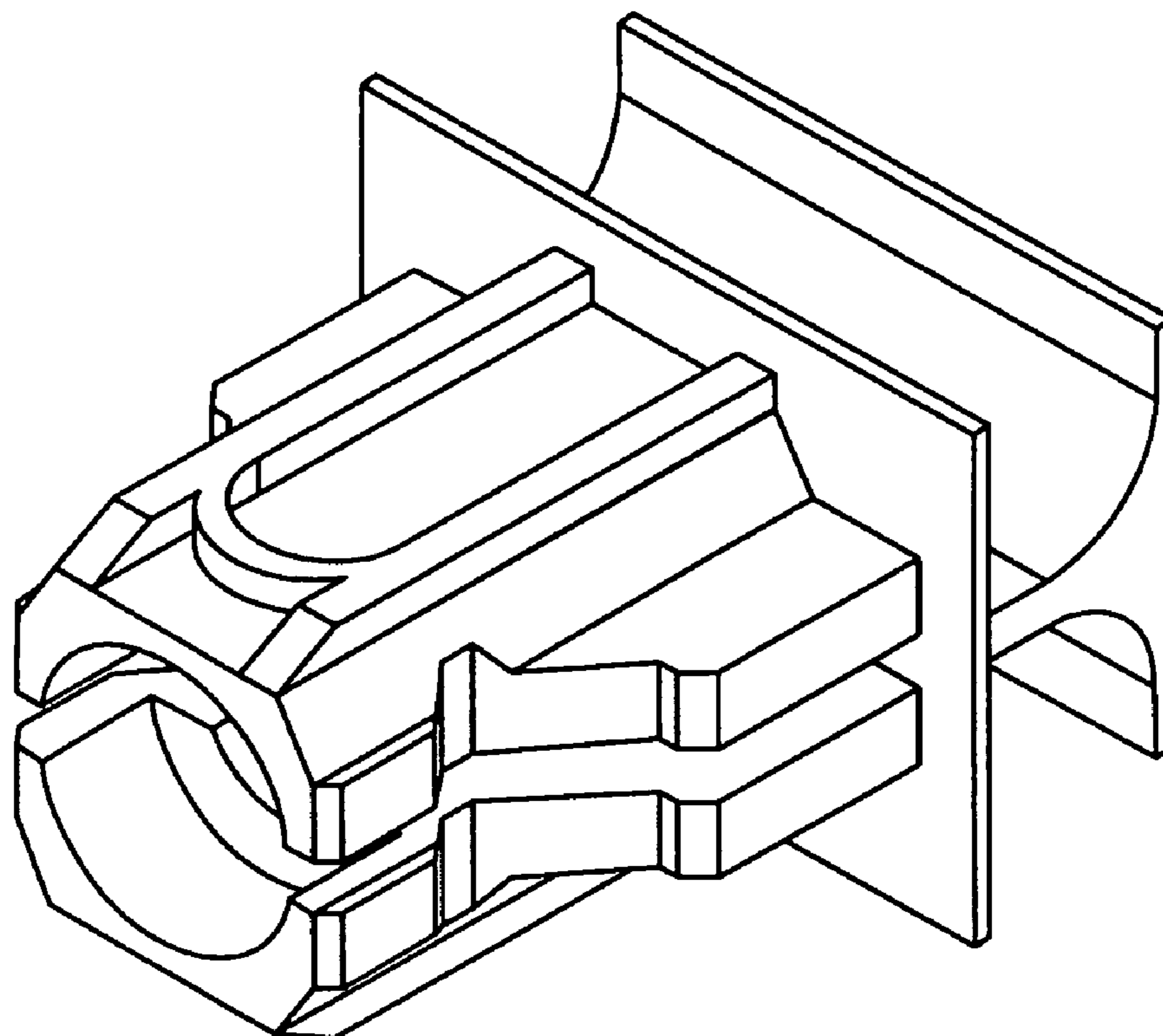
FIG. 3 is a bottom plan view thereof;

FIG. 4 is a front view thereof, the rear view being a mirror image thereof; and,

FIG. 5 is a right side view thereof, the left side view being a mirror image thereof.

The broken line showing in the figure drawing is included for illustrative purposes only and forms no part of the claimed design.

1 Claim, 3 Drawing Sheets



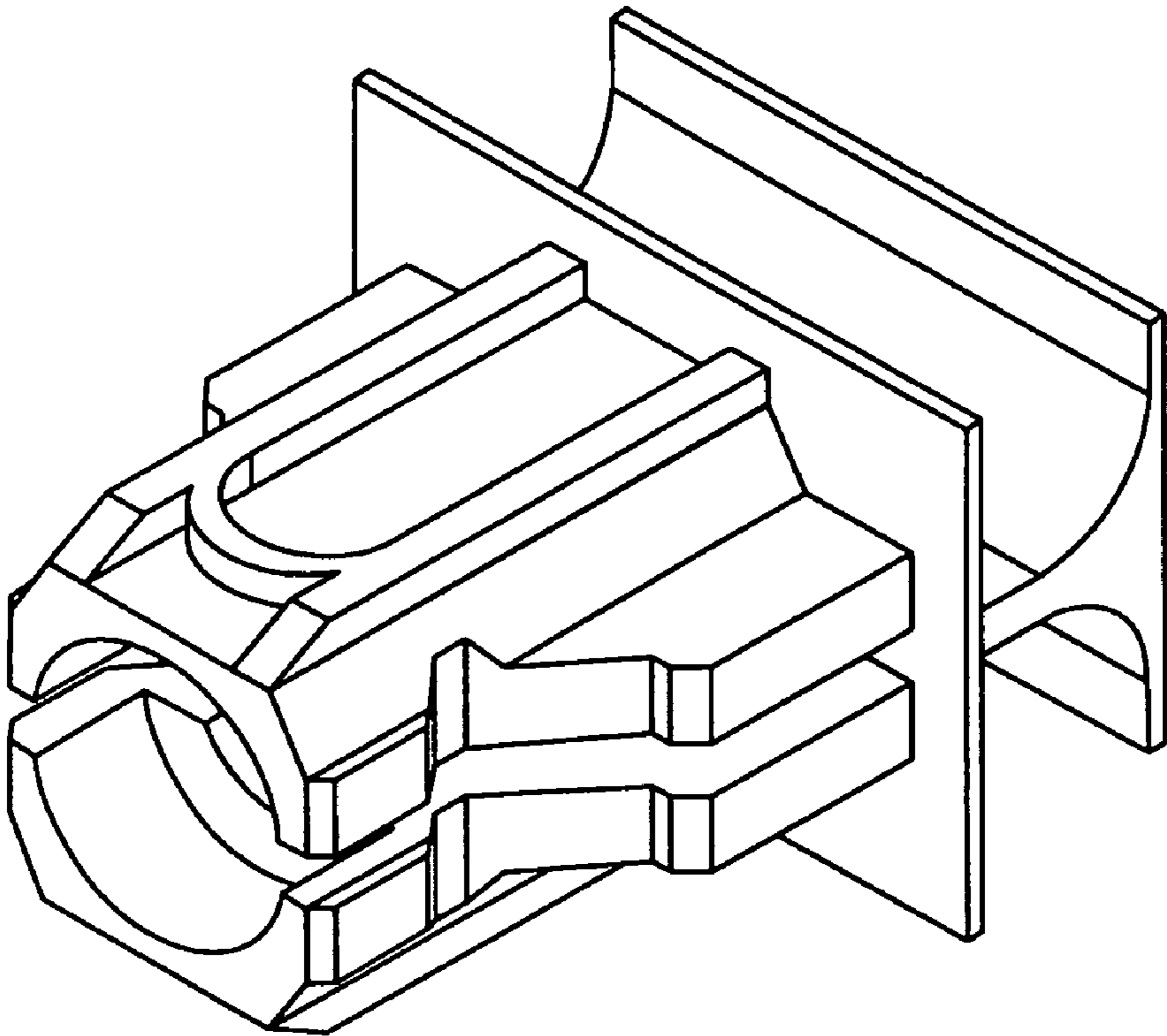


FIG. 1

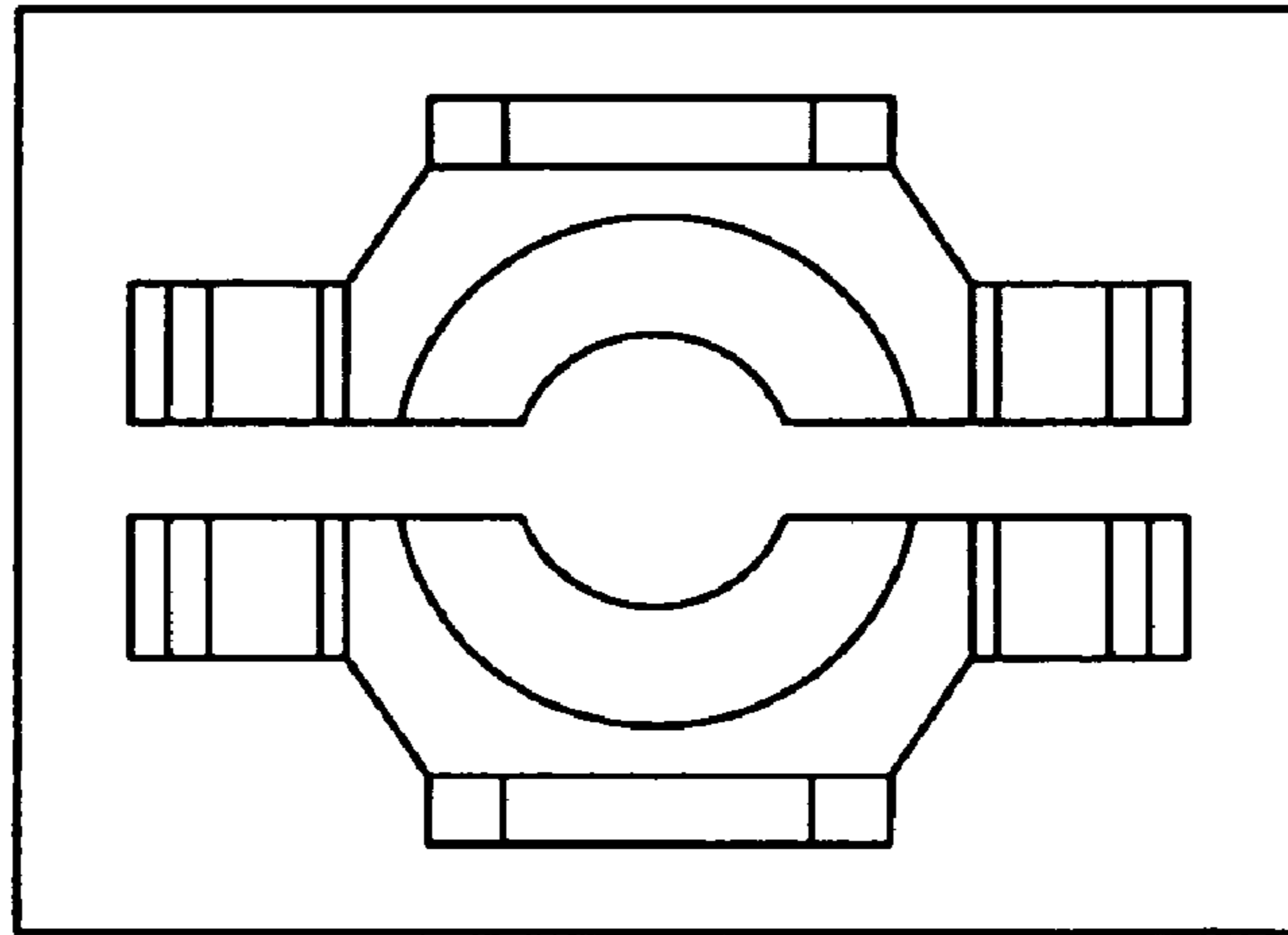


FIG. 2

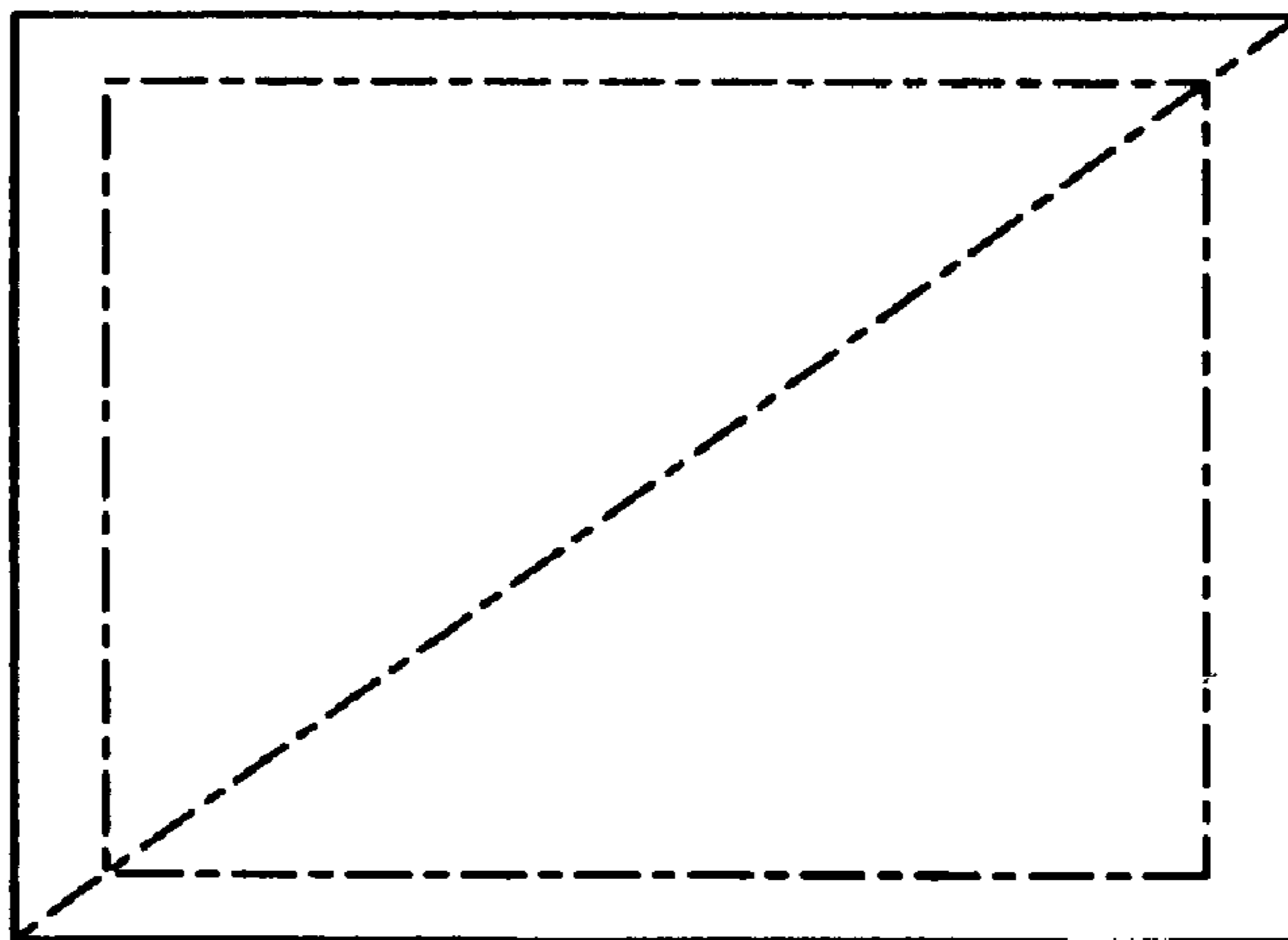


FIG. 3

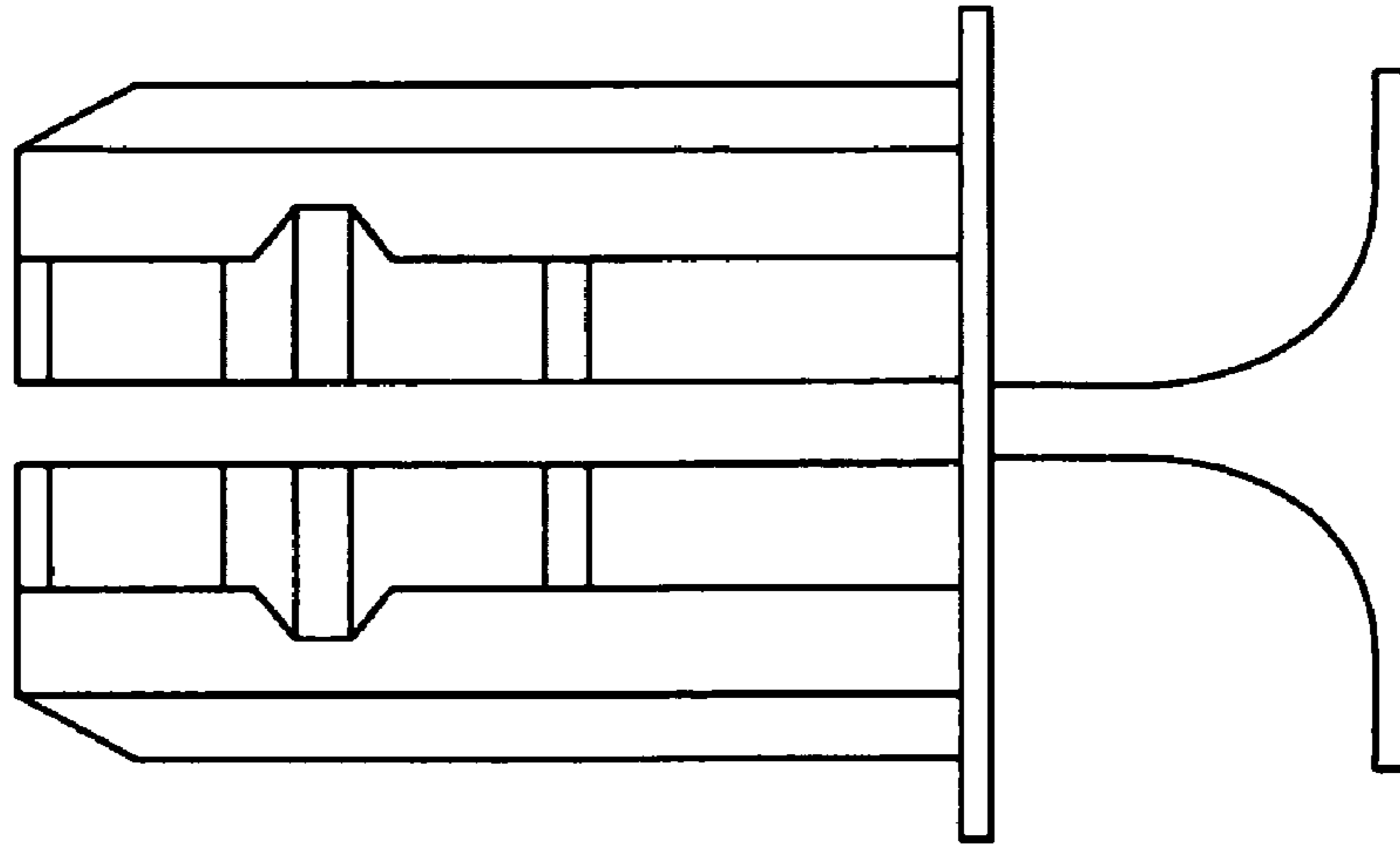


FIG. 4

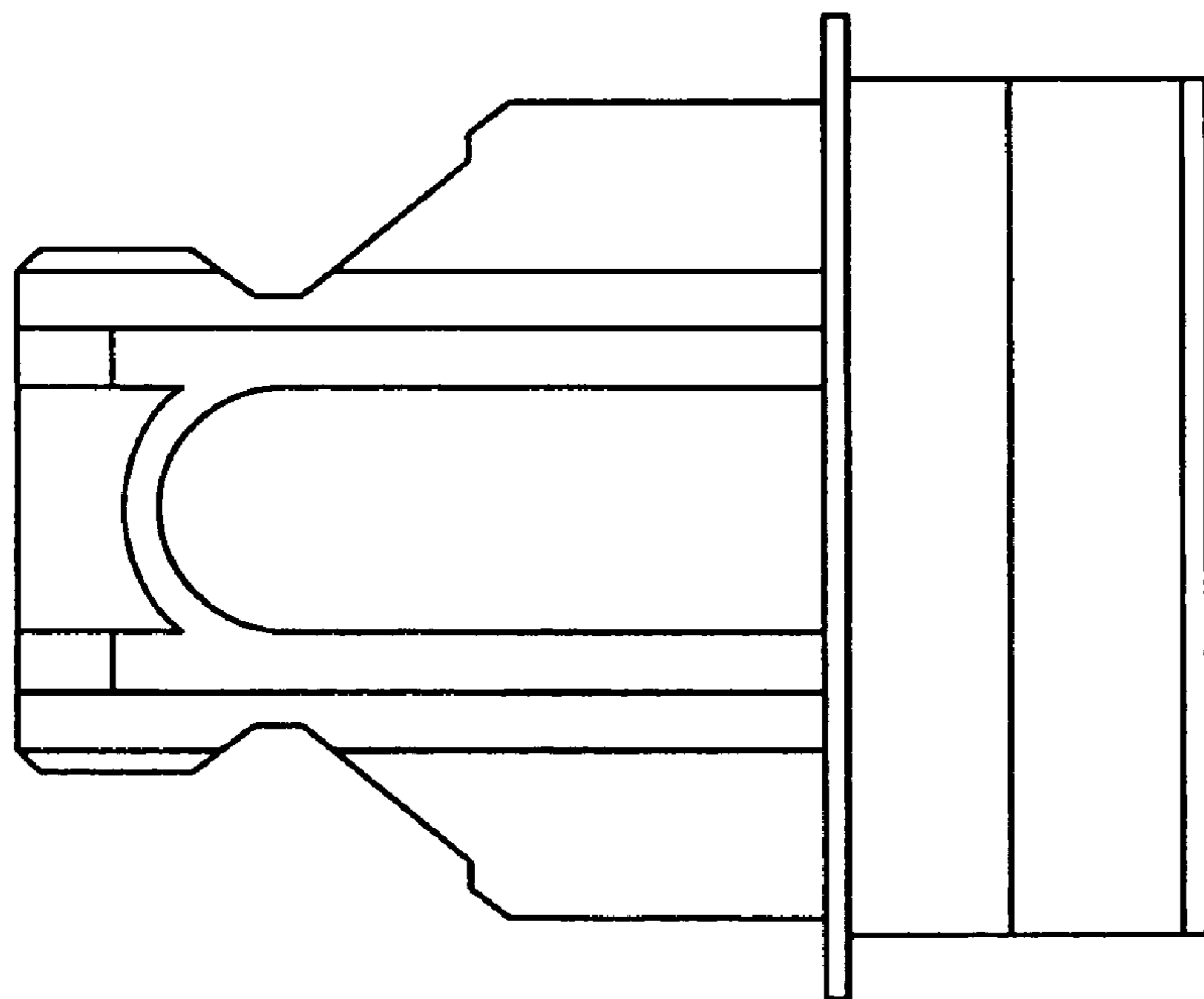


FIG. 5