



US00D572659S

(12) **United States Design Patent**
Hawkins

(10) **Patent No.:** **US D572,659 S**

(45) **Date of Patent:** **** Jul. 8, 2008**

(54) **GENERATOR FRAME**

6,750,556 B2 * 6/2004 Sodemann et al. 290/1 A
D501,182 S * 1/2005 Buck D13/110

(76) Inventor: **Bobby L. Hawkins**, 4 New Circle Rd.,
Travelers Rest, SC (US) 29690

* cited by examiner

(**) Term: **14 Years**

Primary Examiner—Prabhakar Deshmukh

Assistant Examiner—Derrick Holland

(21) Appl. No.: **29/291,396**

(74) *Attorney, Agent, or Firm*—J. Bennett Mullinax, LLC

(22) Filed: **Aug. 28, 2007**

(57) **CLAIM**

(51) **LOC (8) Cl.** **13-01**

The ornamental design for a generator frame, as shown and described.

(52) **U.S. Cl.** **D13/116**

(58) **Field of Classification Search** D13/116,
D13/112, 114, 122, 199; 290/1 A, 1 B; 307/150,
307/153; 310/50, 89, 158

See application file for complete search history.

DESCRIPTION

FIG. 1 is a left side perspective view of a generator frame showing my new design;

FIG. 2 is a right side elevation view thereof;

FIG. 3 is a rear view thereof;

FIG. 4 is a left side elevation view thereof;

FIG. 5 is a front view thereof;

FIG. 6 is top plan view thereof; and,

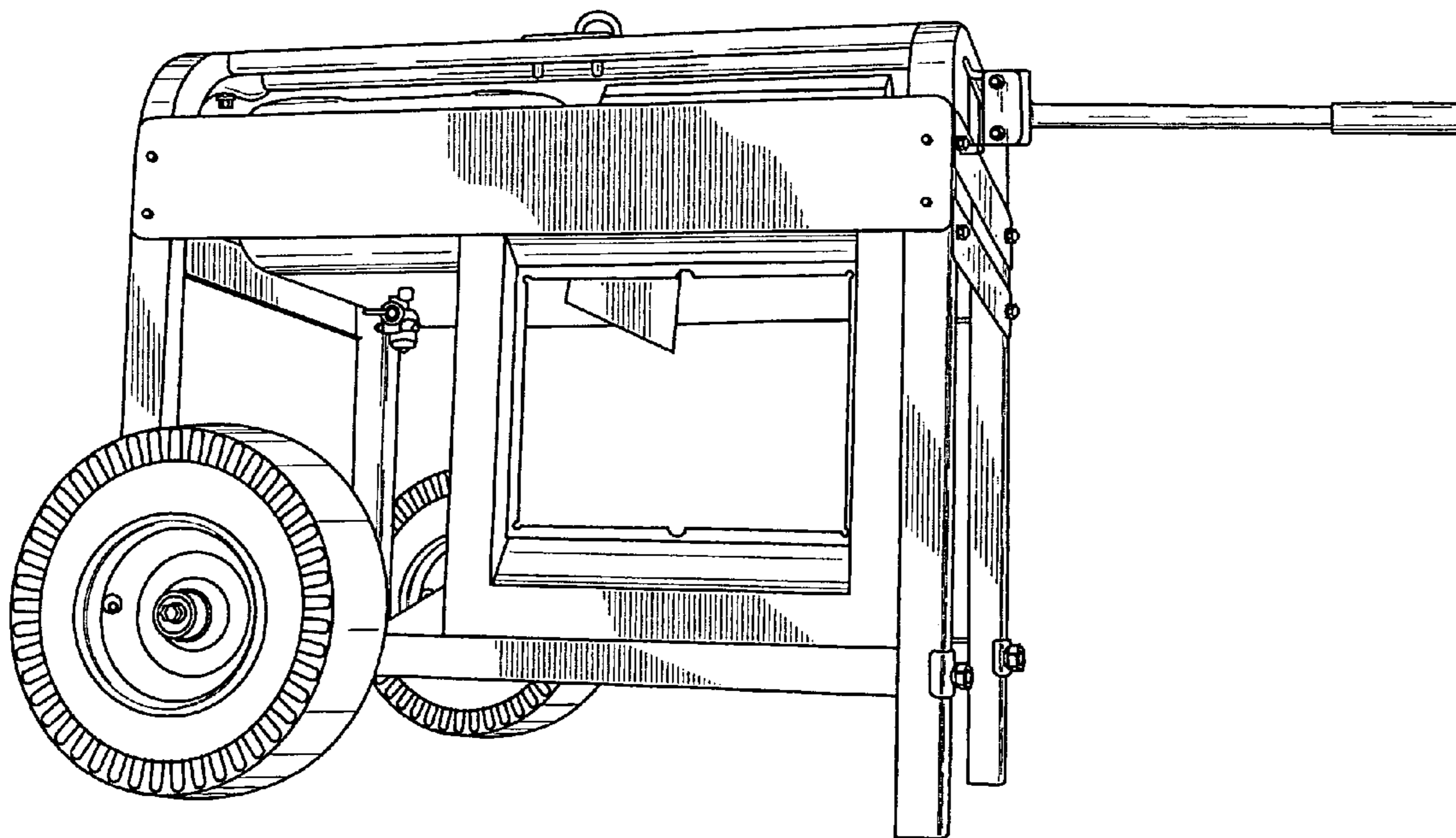
FIG. 7 is a bottom plan view thereof.

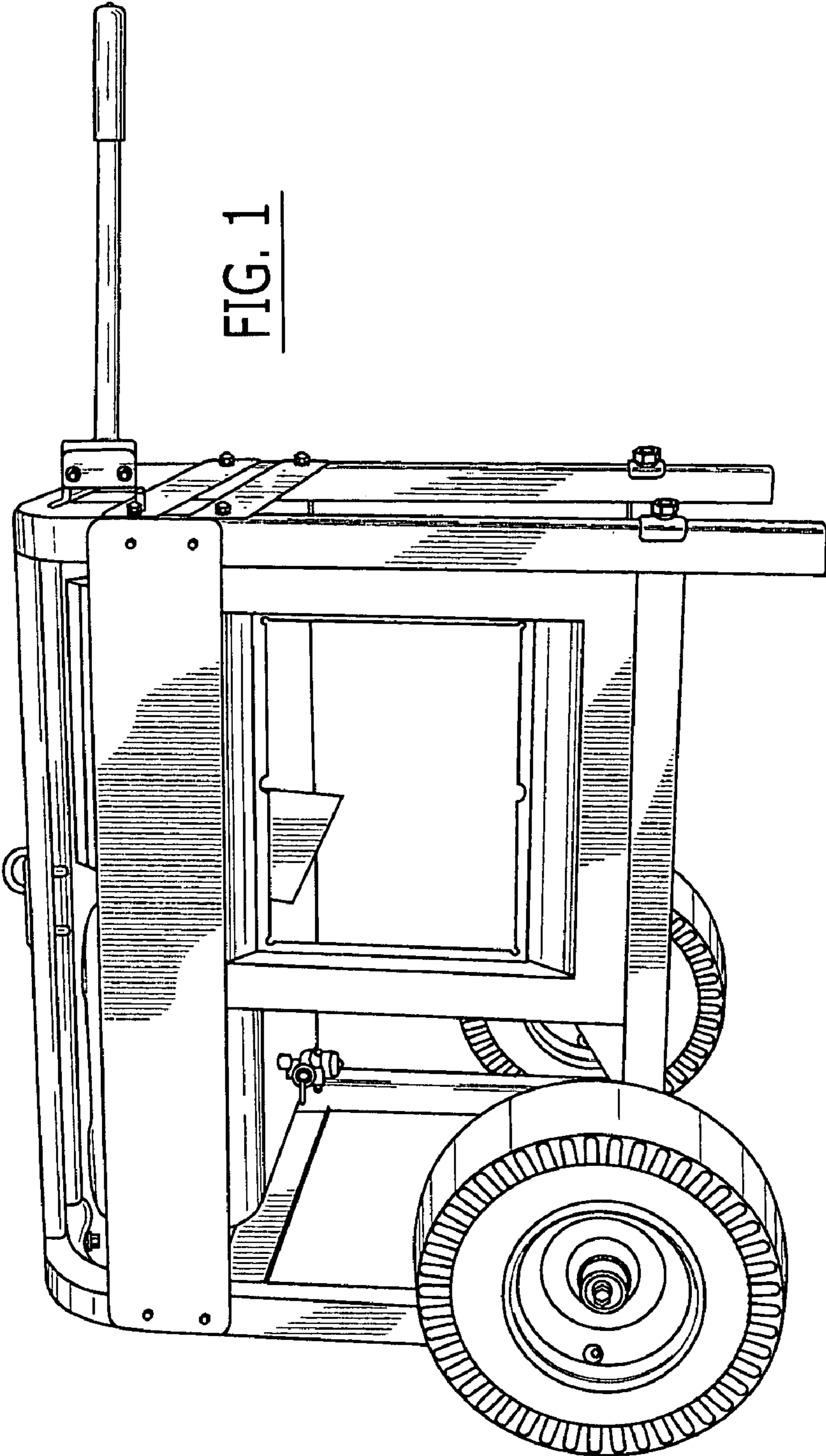
(56) **References Cited**

U.S. PATENT DOCUMENTS

D187,025 S *	1/1960	Pastor	D13/122
D276,997 S *	1/1985	Mikado	D13/116
D278,425 S *	4/1985	Toshihiko	D13/116
D418,809 S *	1/2000	Frank	D13/112
D472,519 S *	4/2003	Buck	D13/114
D489,327 S *	5/2004	Imai	D13/116

1 Claim, 7 Drawing Sheets





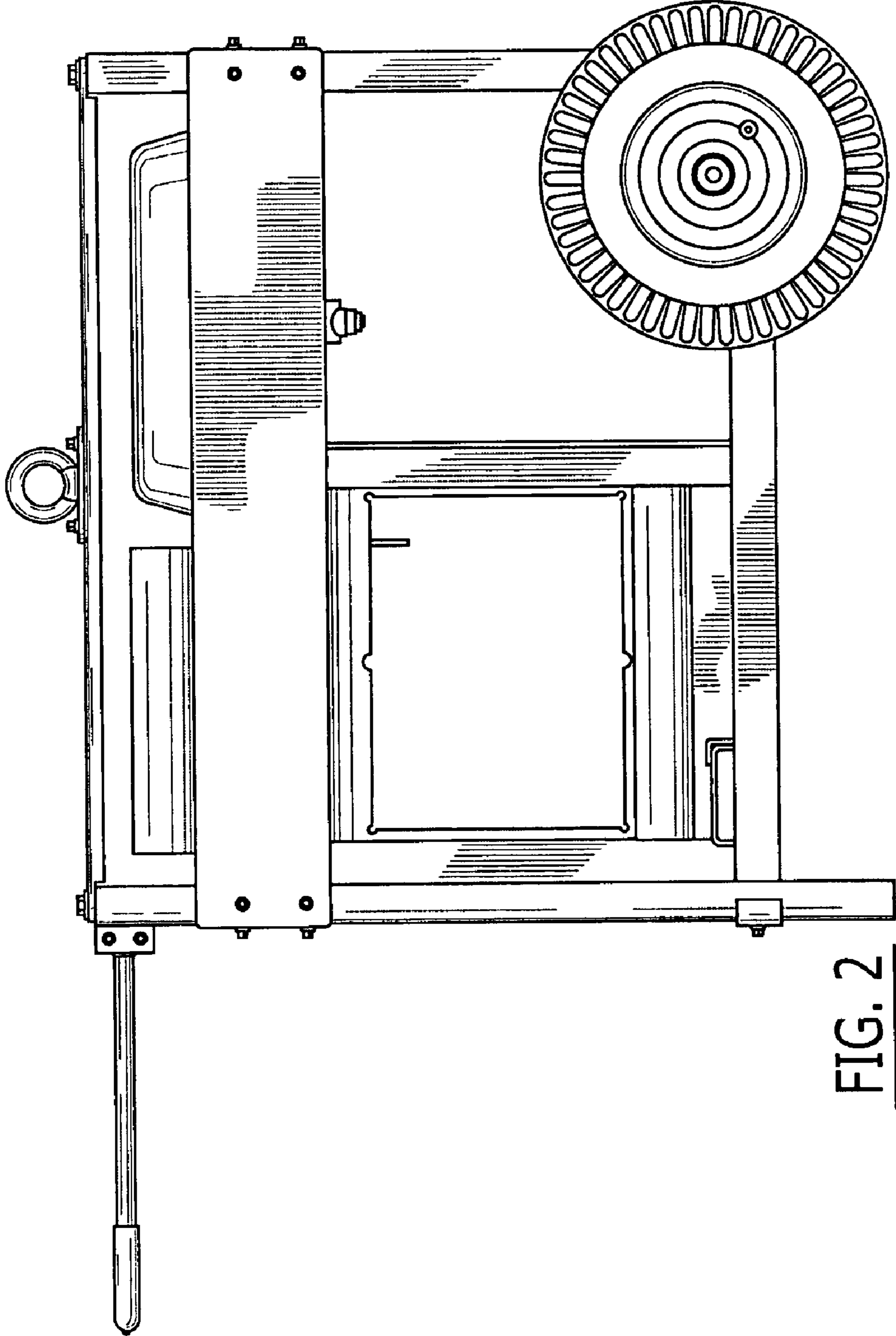


FIG. 2

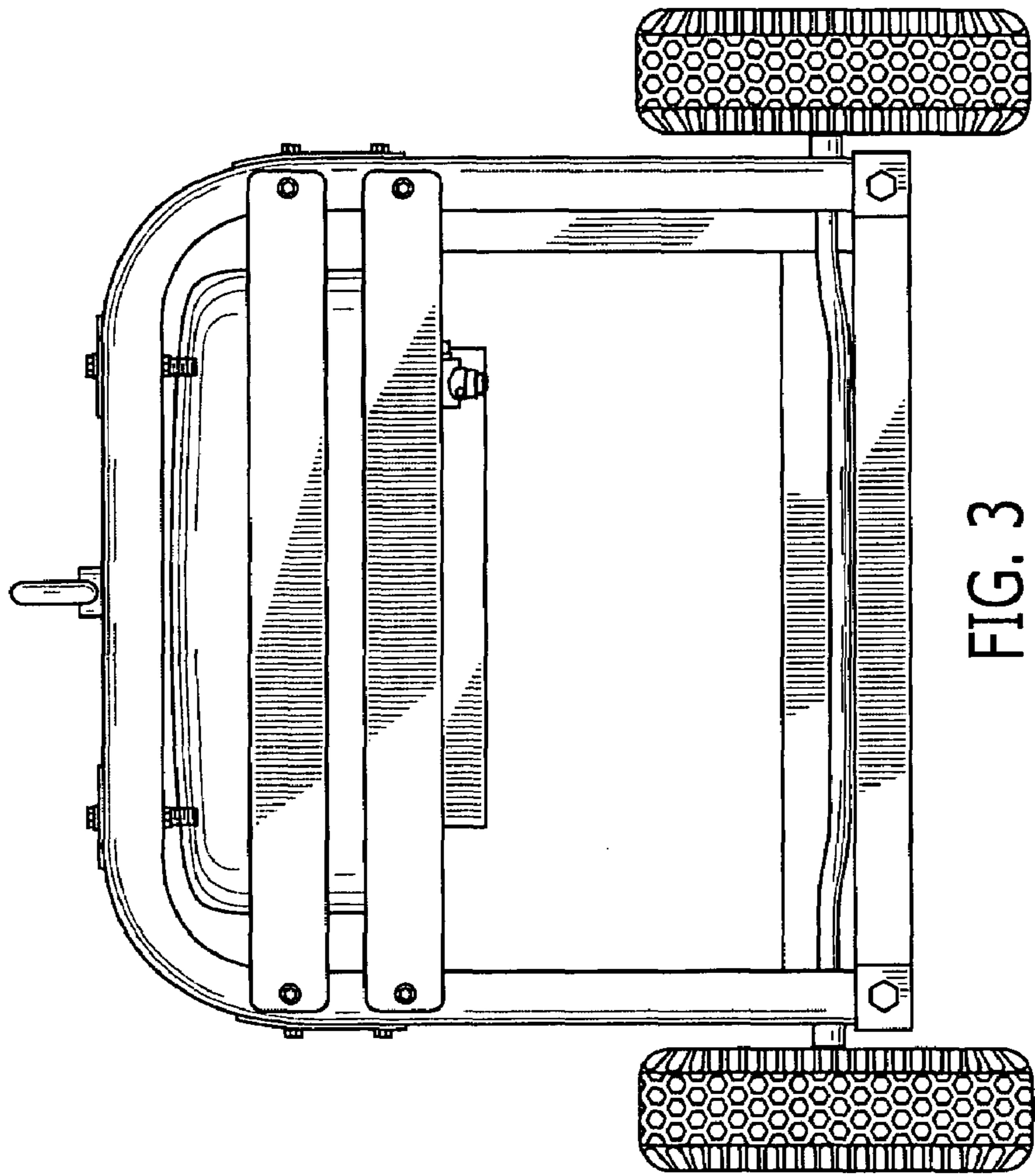


FIG. 3

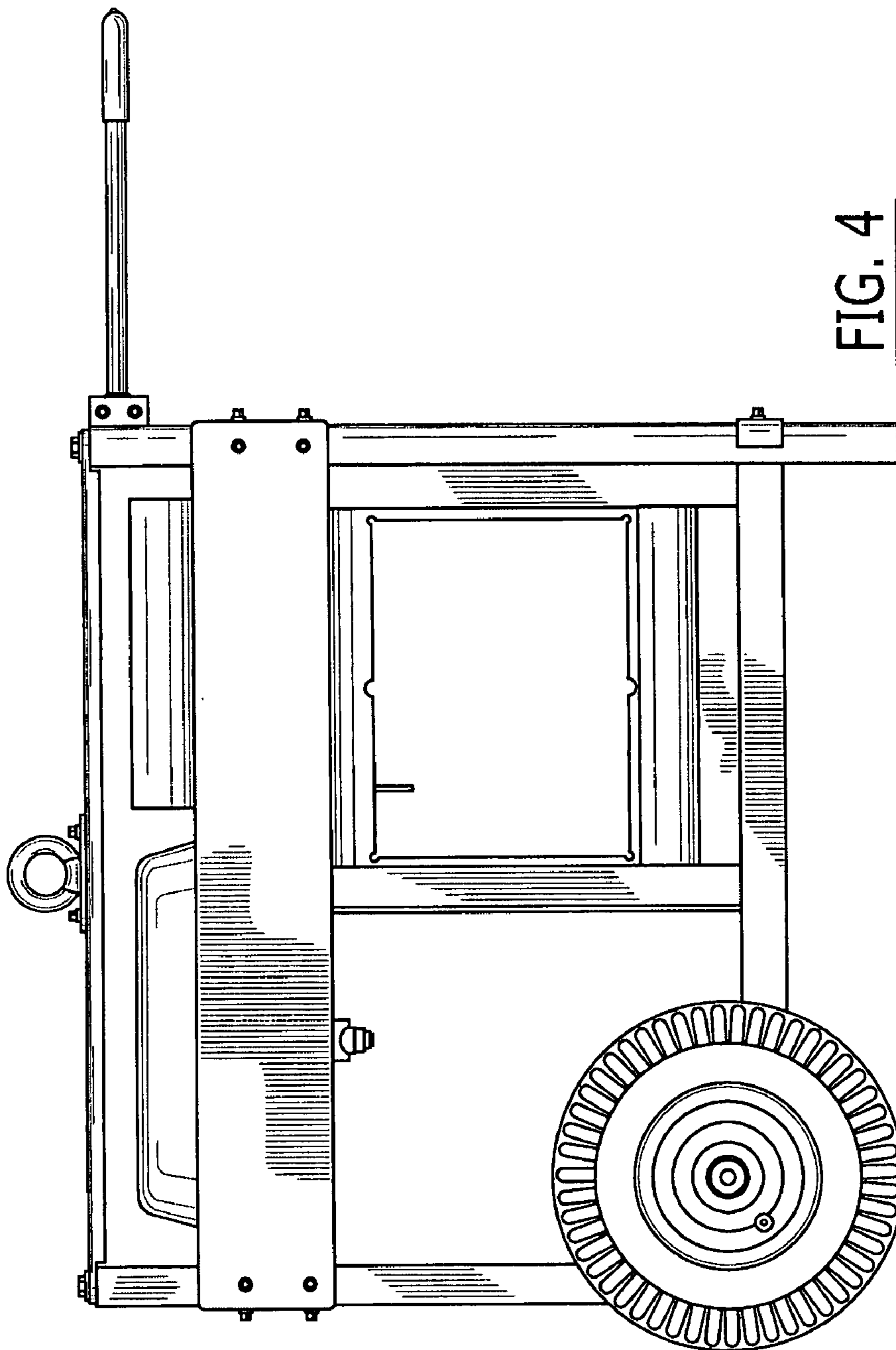


FIG. 4

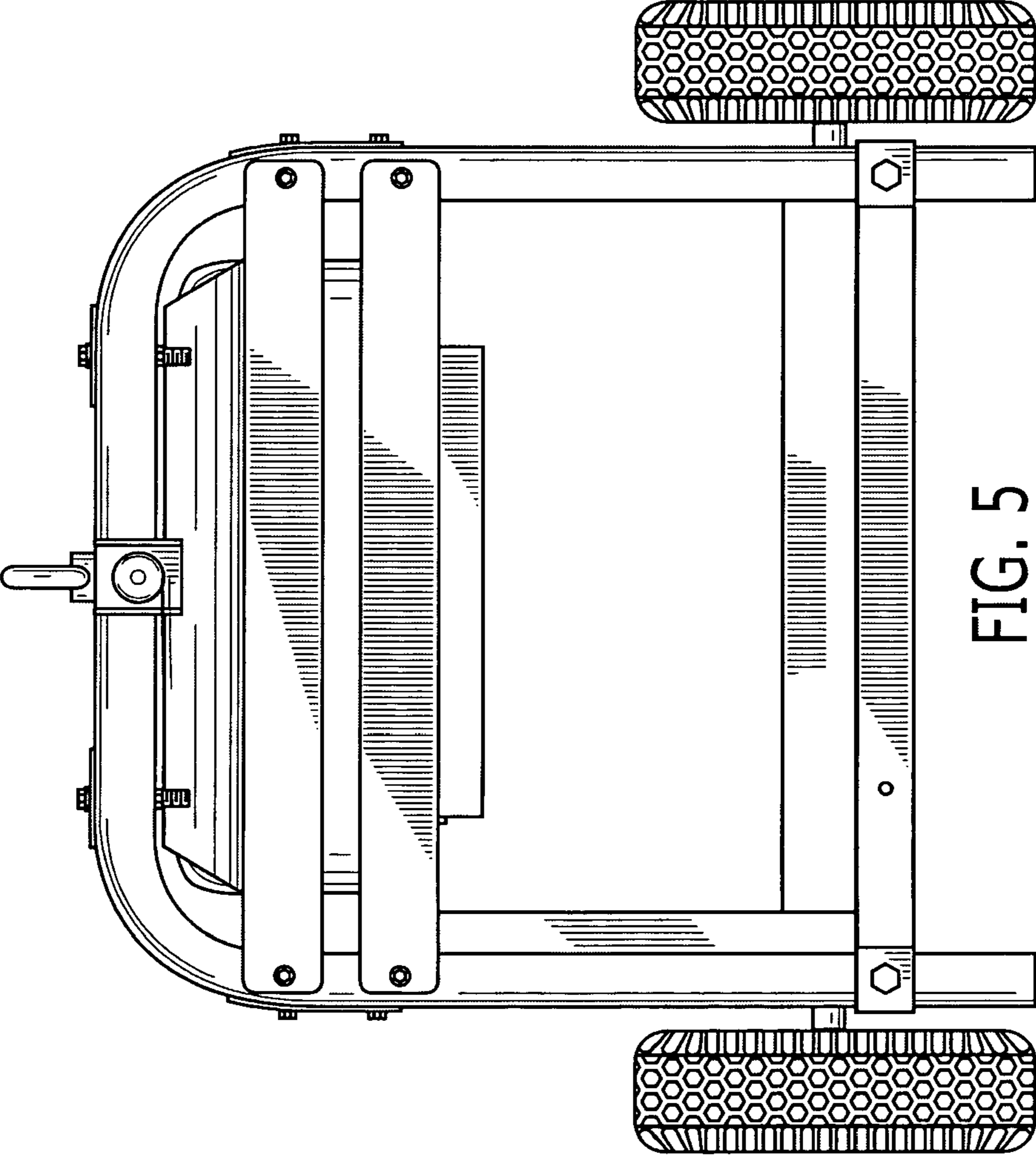


FIG. 5

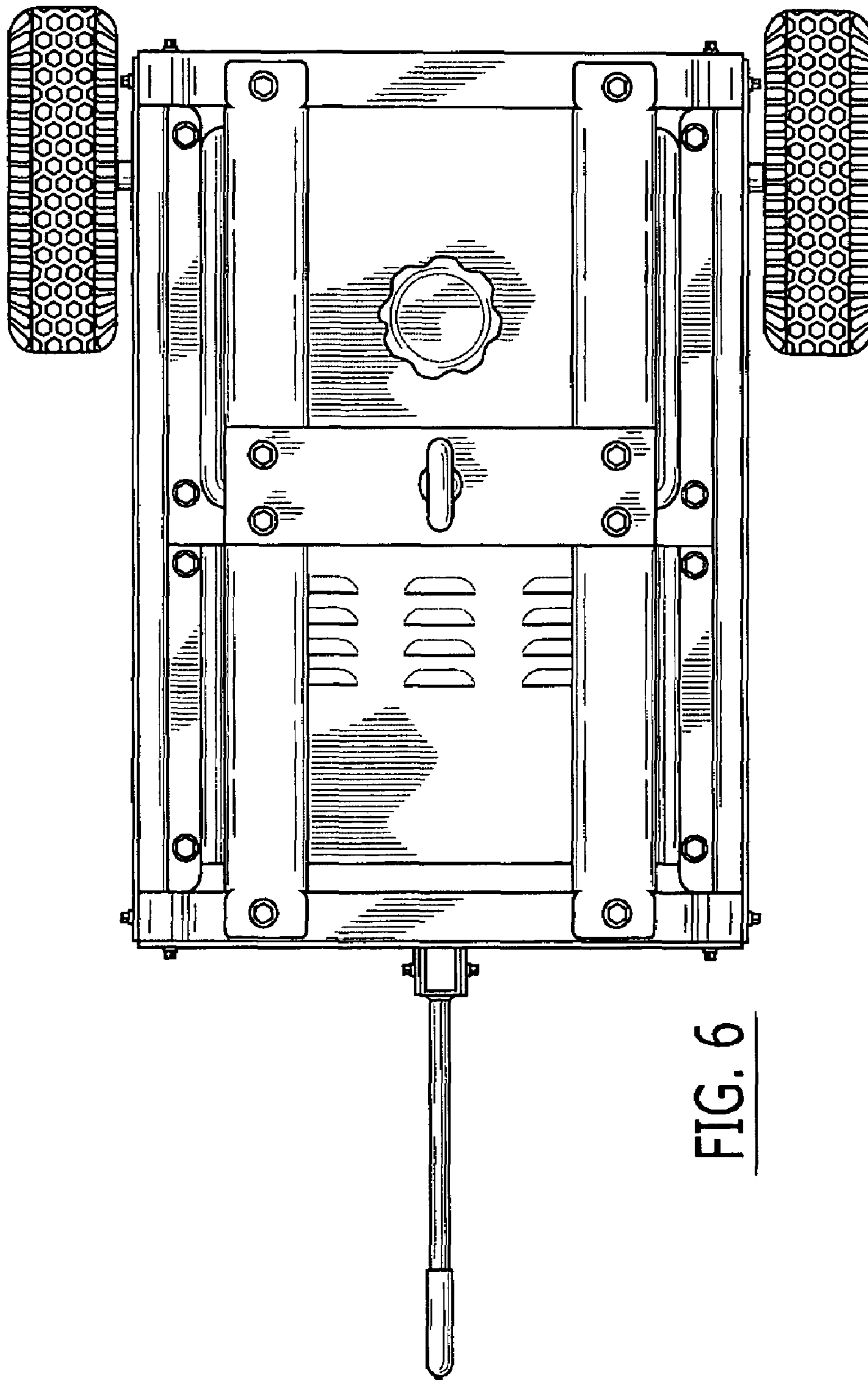


FIG. 6

