



US00D572658S

(12) **United States Design Patent**
Yamamoto et al.

(10) **Patent No.:** **US D572,658 S**
(45) **Date of Patent:** **** Jul. 8, 2008**

(54) **ENGINE GENERATOR**

(75) Inventors: **Masanobu Yamamoto**, Kakegawa (JP);
Ikuo Namiki, Tokyo-to (JP); **Shigeyoshi Iwatate**, Tokyo-to (JP)

(73) Assignee: **Yamaha Motor Power Products Kabushiki Kaisha** (JP)

(**) Term: **14 Years**

(21) Appl. No.: **29/281,246**

(22) Filed: **Jun. 19, 2007**

(30) **Foreign Application Priority Data**

Feb. 15, 2007 (JP) 2007-003558

(51) **LOC (8) Cl.** **13-01**

(52) **U.S. Cl.** **D13/116; D13/114**

(58) **Field of Classification Search** D13/116,
D13/112, 114, 122, 184, 199; 290/1 A, 1 B;
307/150, 151, 153, 154; 322/1

See application file for complete search history.

(56) **References Cited**

U.S. PATENT DOCUMENTS

5,424,588 A * 6/1995 Cantor et al. 307/154
D478,043 S * 8/2003 Iwatate et al. D13/116
D511,139 S * 11/2005 Xiao D13/116

D517,009 S * 3/2006 Xiao D13/116
2004/0021320 A1 * 2/2004 Yamada et al. 290/1 B

* cited by examiner

Primary Examiner—Prabhakar Deshmukh

Assistant Examiner—Derrick Holland

(74) *Attorney, Agent, or Firm*—Ostrolenk, Faber, Gerb & Soffen, LLP

(57) **CLAIM**

The ornamental design for an engine generator, as shown and described.

DESCRIPTION

FIG. 1 is a front, right side top perspective view of an engine generator showing our new design;

FIG. 2 is a rear left side top perspective view thereof;

FIG. 3 is a front side view thereof;

FIG. 4 is a rear side view thereof;

FIG. 5 is a left side view thereof;

FIG. 6 is a right side view thereof;

FIG. 7 is a top plan view thereof; and,

FIG. 8 is a bottom plan view thereof.

The broken lines showing are for illustrative purposes and form no part of the claimed design.

1 Claim, 4 Drawing Sheets

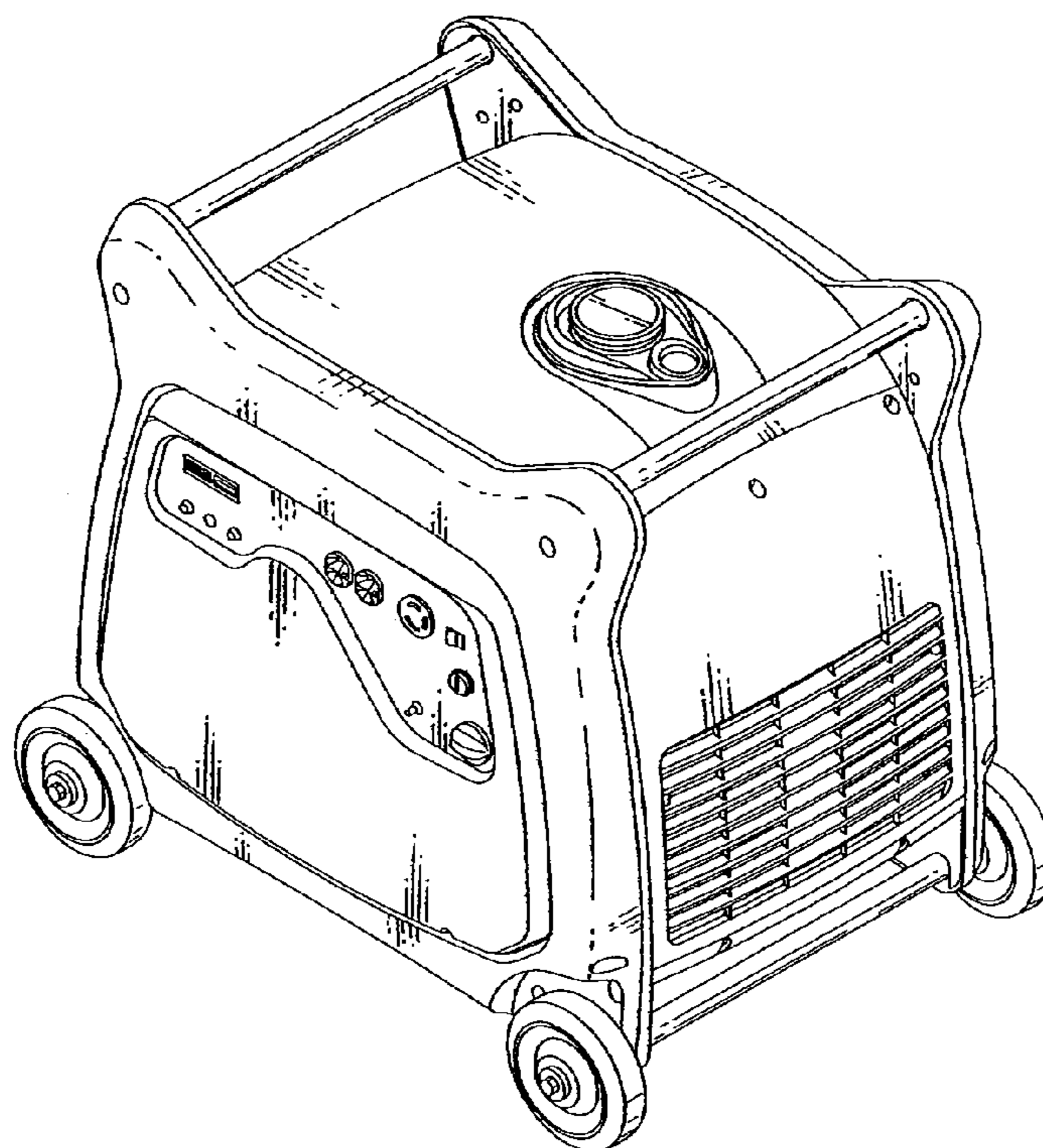


FIG 1

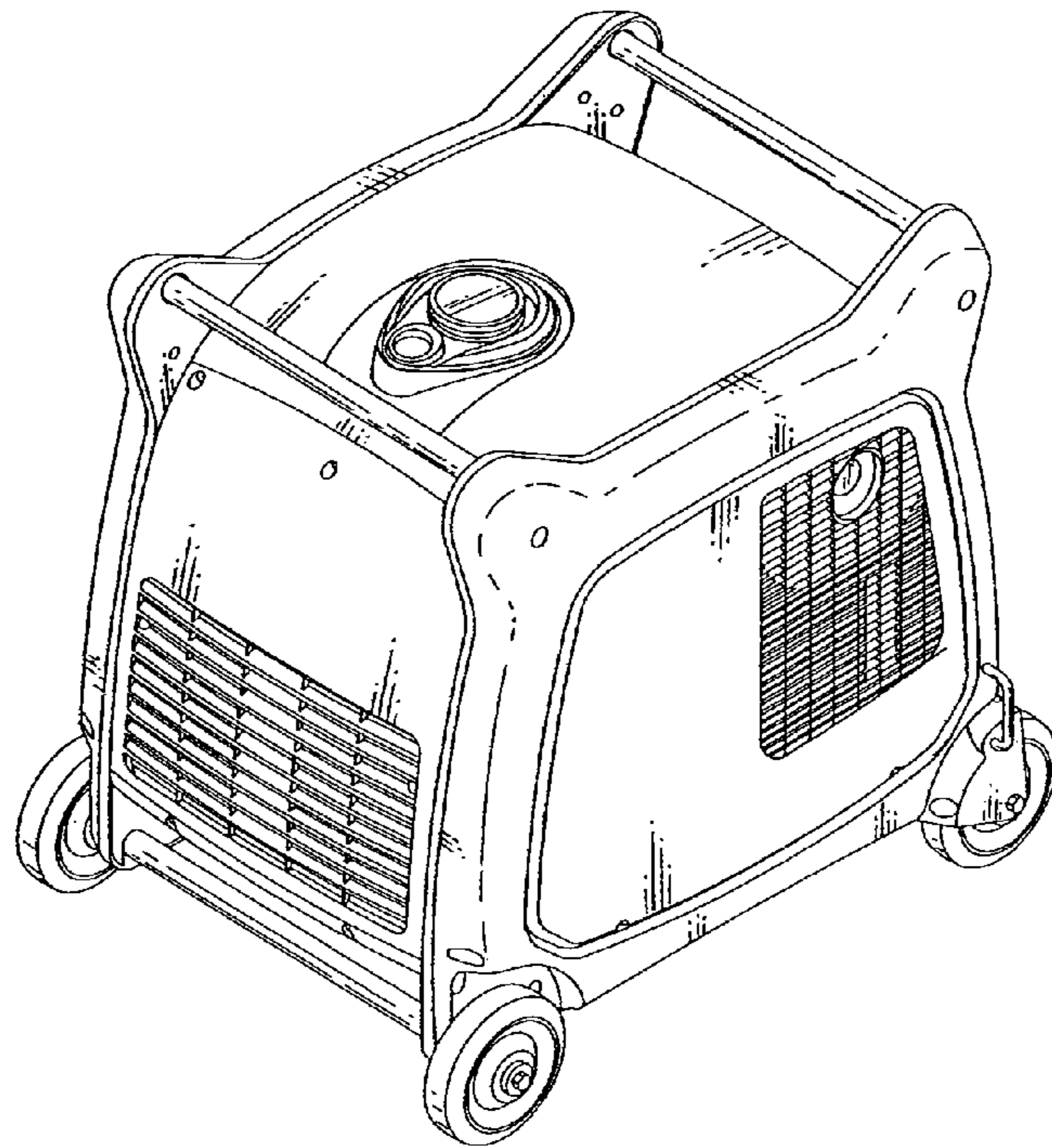
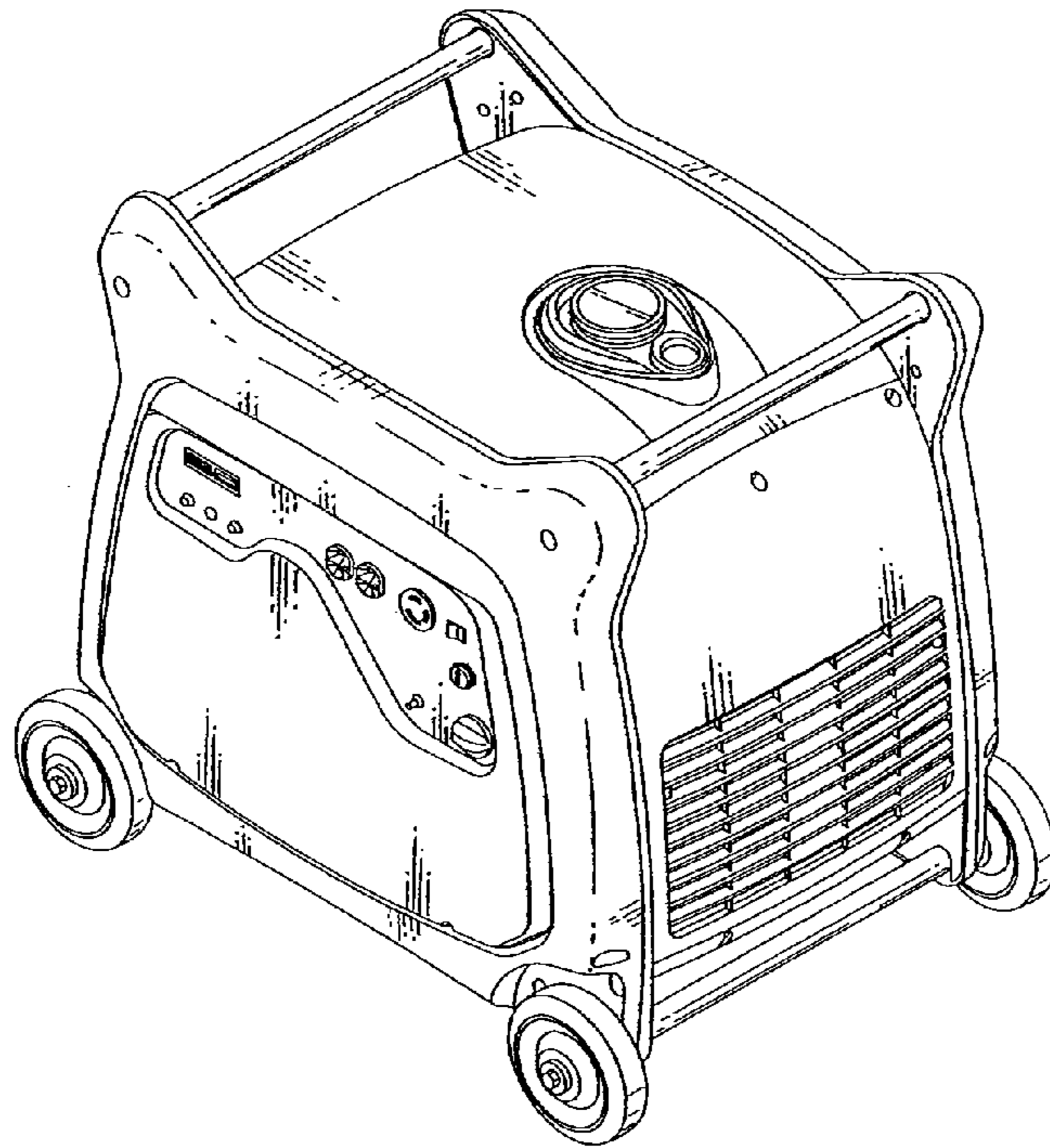


FIG 2

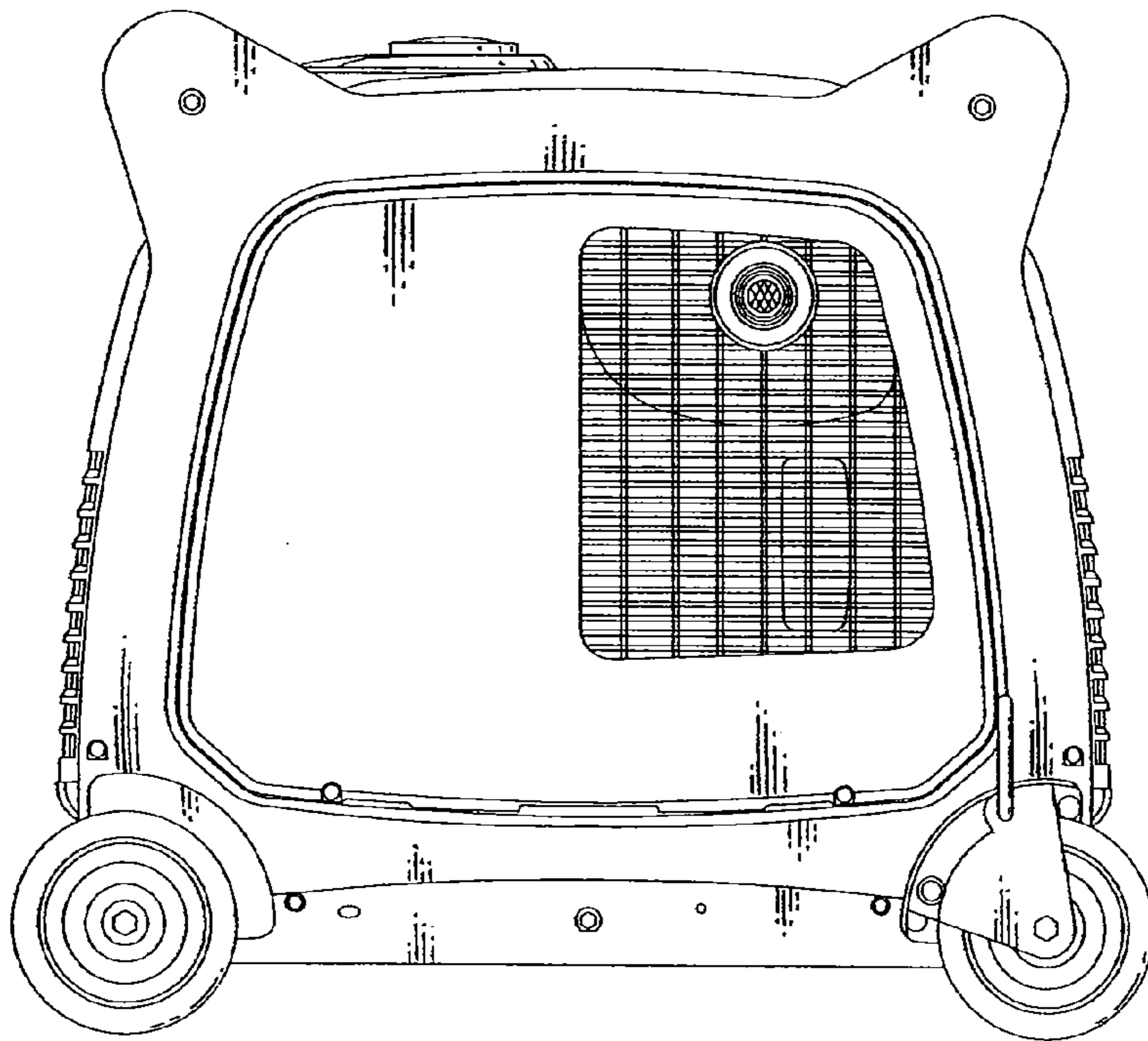
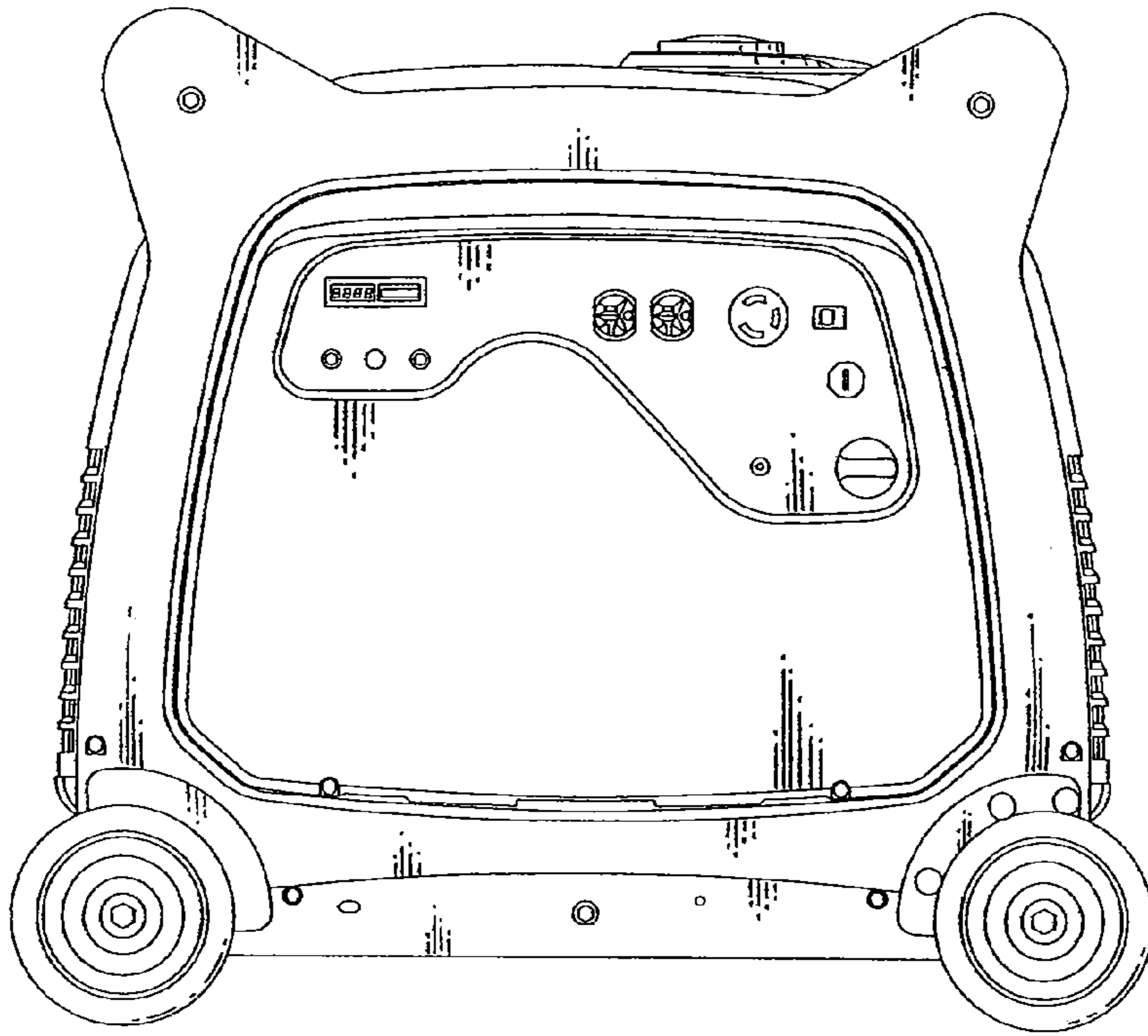


FIG 4

FIG 5

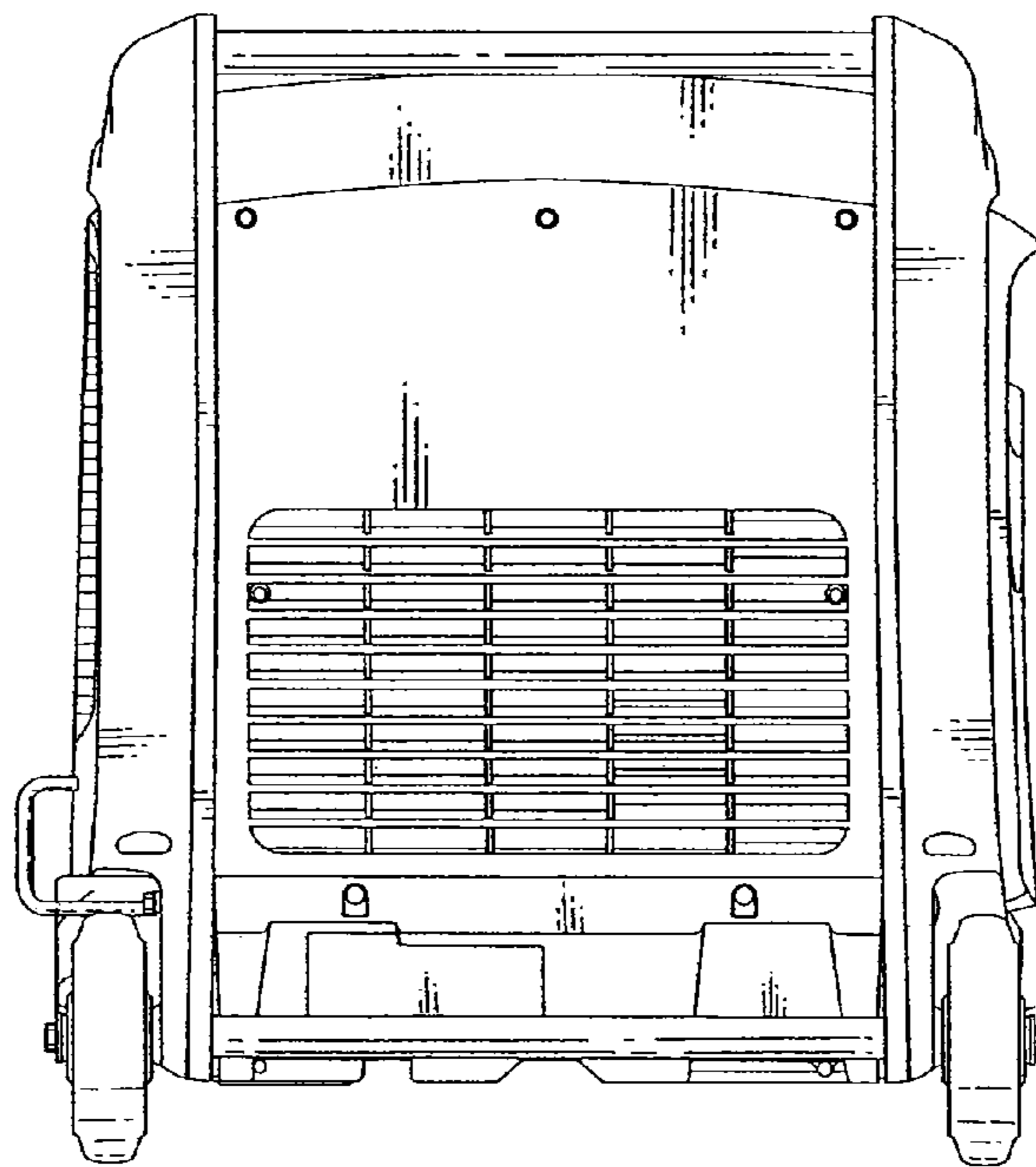
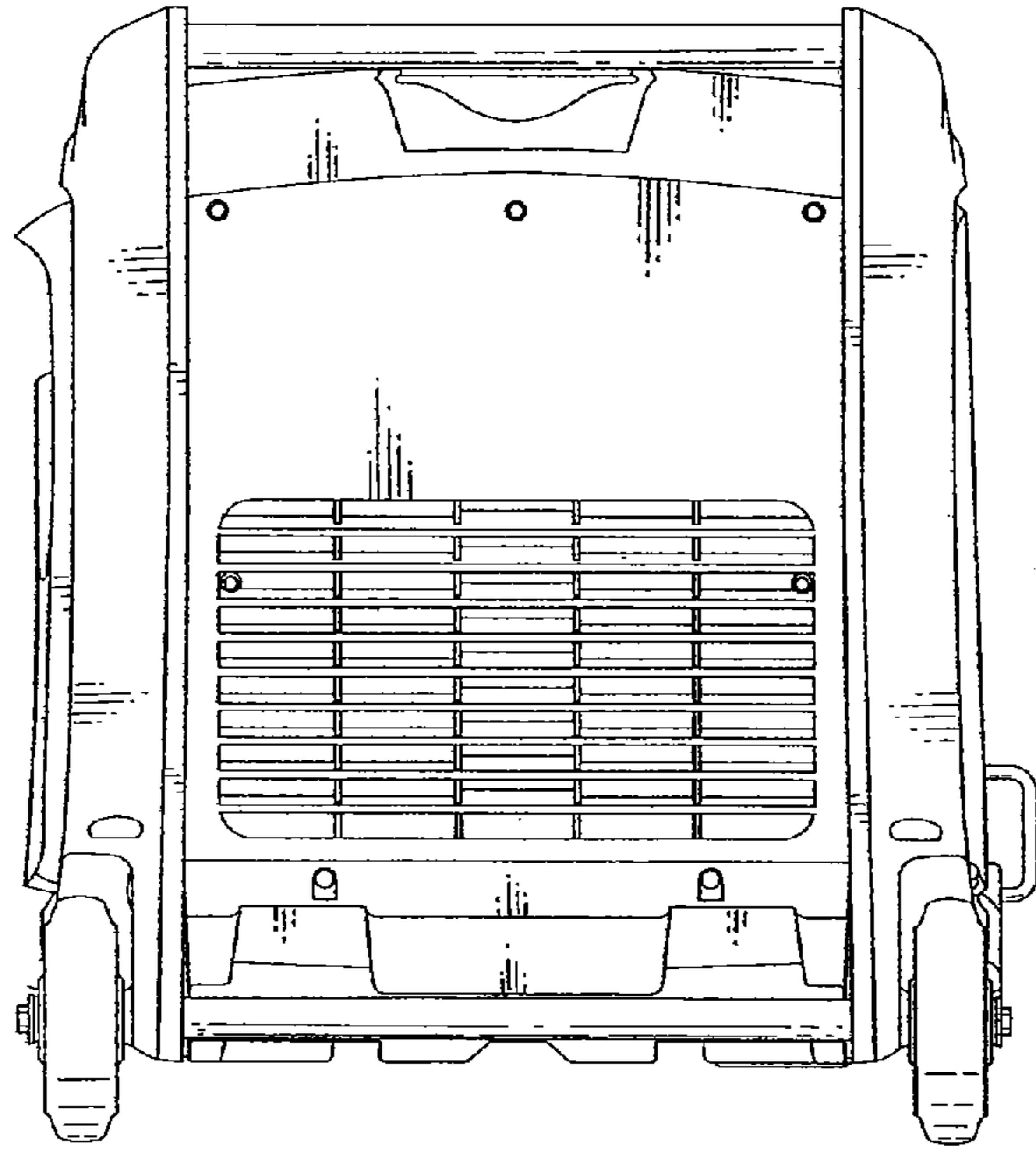


FIG 6

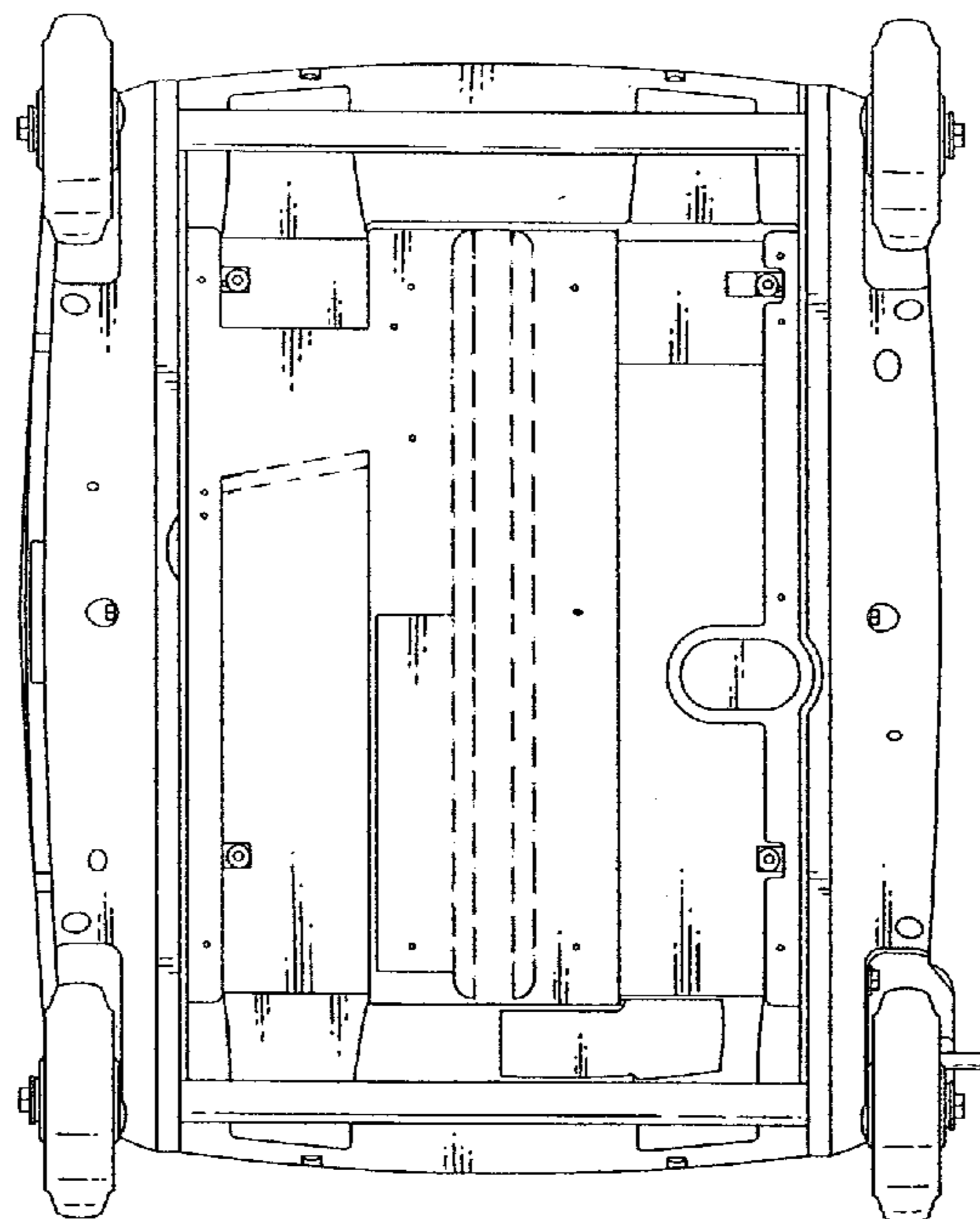
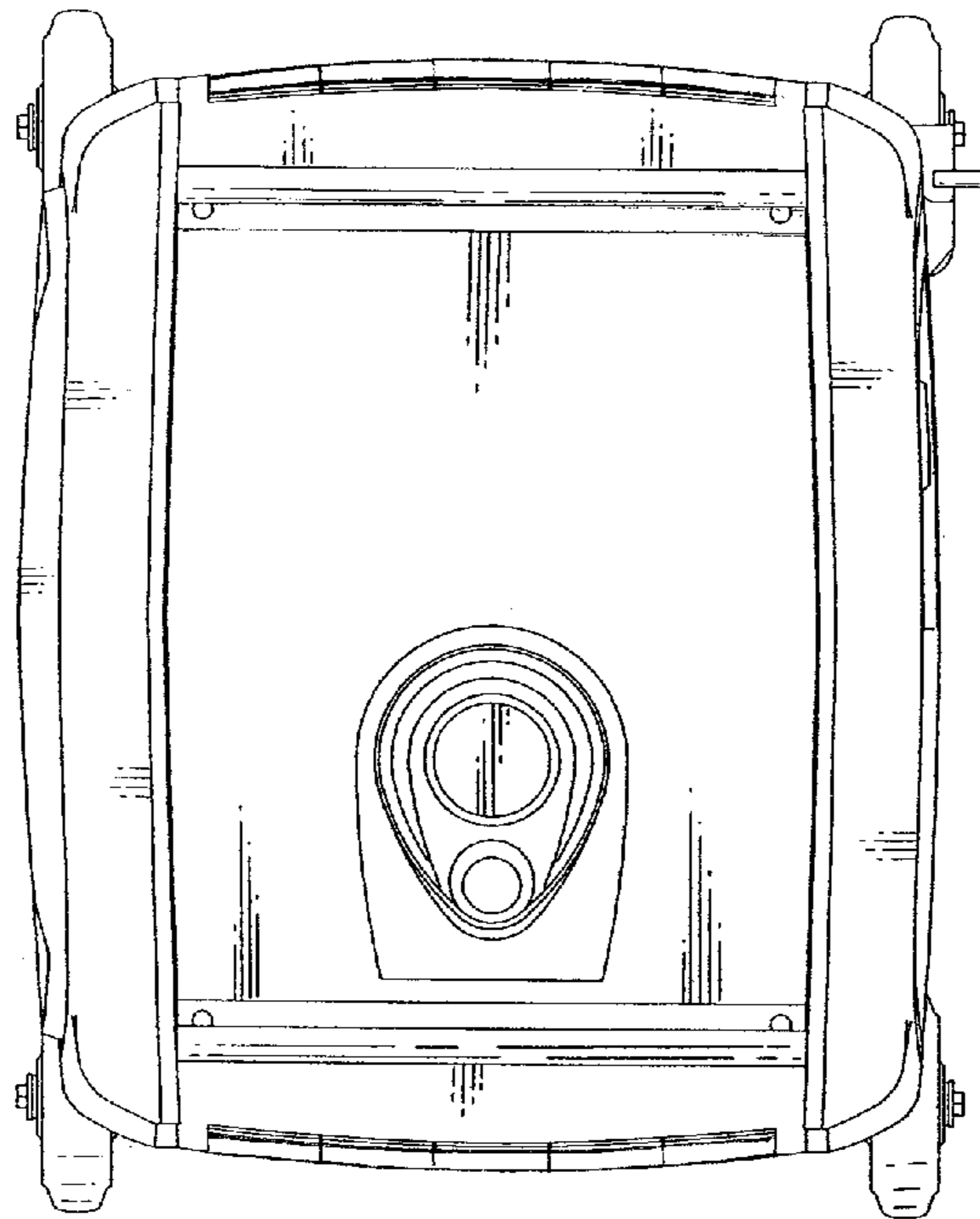


FIG 8