



US00D572656S

(12) **United States Design Patent**  
**Schein**

(10) **Patent No.:** **US D572,656 S**  
(45) **Date of Patent:** **\*\* Jul. 8, 2008**

(54) **CHARGER FOR CHARGING BATTERIES**

(75) Inventor: **Herbert Schein**, Munningen (DE)

(73) Assignee: **Varta Microbattery GmbH** (DE)

(\*\*) Term: **14 Years**

(21) Appl. No.: **29/289,388**

(22) Filed: **Jul. 18, 2007**

(30) **Foreign Application Priority Data**

Jan. 19, 2007 (EM) ..... 000655014

(51) **LOC (8) Cl.** ..... **13-02**

(52) **U.S. Cl.** ..... **D13/108**

(58) **Field of Classification Search** ..... D13/107-110,  
D13/118-119, 184; D14/251, 253, 432,  
D14/434; 320/107-115; D19/35, 41, 43,  
D19/45, 51; 401/51, 52, 195

See application file for complete search history.

(56) **References Cited**

**U.S. PATENT DOCUMENTS**

D139,903 S \* 1/1945 Baff ..... D19/49  
3,749,905 A 7/1973 Friedman et al.  
D297,021 S \* 8/1988 Grossiord ..... D19/51  
5,172,045 A 12/1992 Takeyasu  
5,717,308 A 2/1998 Nishitani et al.  
D419,704 S \* 1/2000 Ting ..... D26/37  
6,022,127 A 2/2000 Krietzman  
D428,596 S \* 7/2000 Birkestrand ..... D13/107  
6,268,709 B1 7/2001 Lee et al.  
D450,873 S \* 11/2001 Opolka ..... D26/49  
D505,658 S \* 5/2005 Nagai et al. .... D13/110  
7,086,907 B2 \* 8/2006 Bhavnani ..... 439/638

D532,372 S \* 11/2006 Keating ..... D13/108  
D532,745 S \* 11/2006 Gaber et al. .... D13/108  
D539,218 S \* 3/2007 Gaber et al. .... D13/108  
7,270,579 B2 \* 9/2007 Bhavnani ..... 439/638  
2007/0063669 A1 \* 3/2007 Keating ..... 320/107  
2007/0241721 A1 \* 10/2007 Weinstein et al. .... 320/114

**FOREIGN PATENT DOCUMENTS**

DE 2 417 718 10/1974  
DE 24 40 218 A1 2/1975  
DE 29 37 787 A1 4/1981  
GB 2 405 269 A 2/2005  
WO WO 2007/017164 A1 2/2007

\* cited by examiner

*Primary Examiner*—Cathron Brooks

*Assistant Examiner*—Rosemary K Tarcza

(74) *Attorney, Agent, or Firm*—DLA Piper US LLP

(57) **CLAIM**

The ornamental design for a charger for charging batteries, as shown and described.

**DESCRIPTION**

FIG. 1 is a perspective view of the charger for charging batteries;

FIG. 2 is a front view thereof;

FIG. 3 is a bottom plan view thereof;

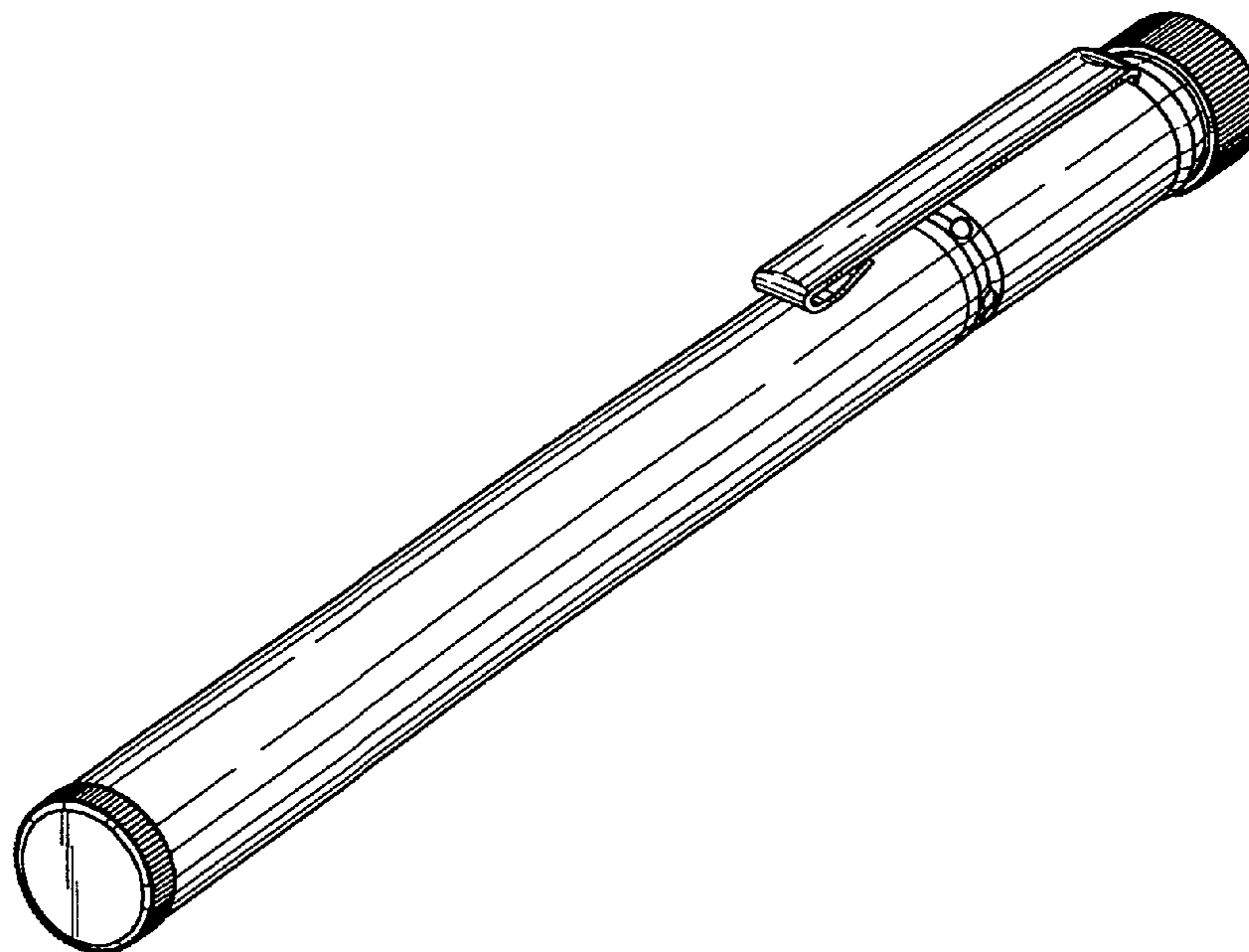
FIG. 4 is a side elevation view thereof;

FIG. 5 is a top plan view thereof;

FIG. 6 is a rear elevation view thereof; and,

FIG. 7 is the opposite side elevation view thereof.

**1 Claim, 2 Drawing Sheets**



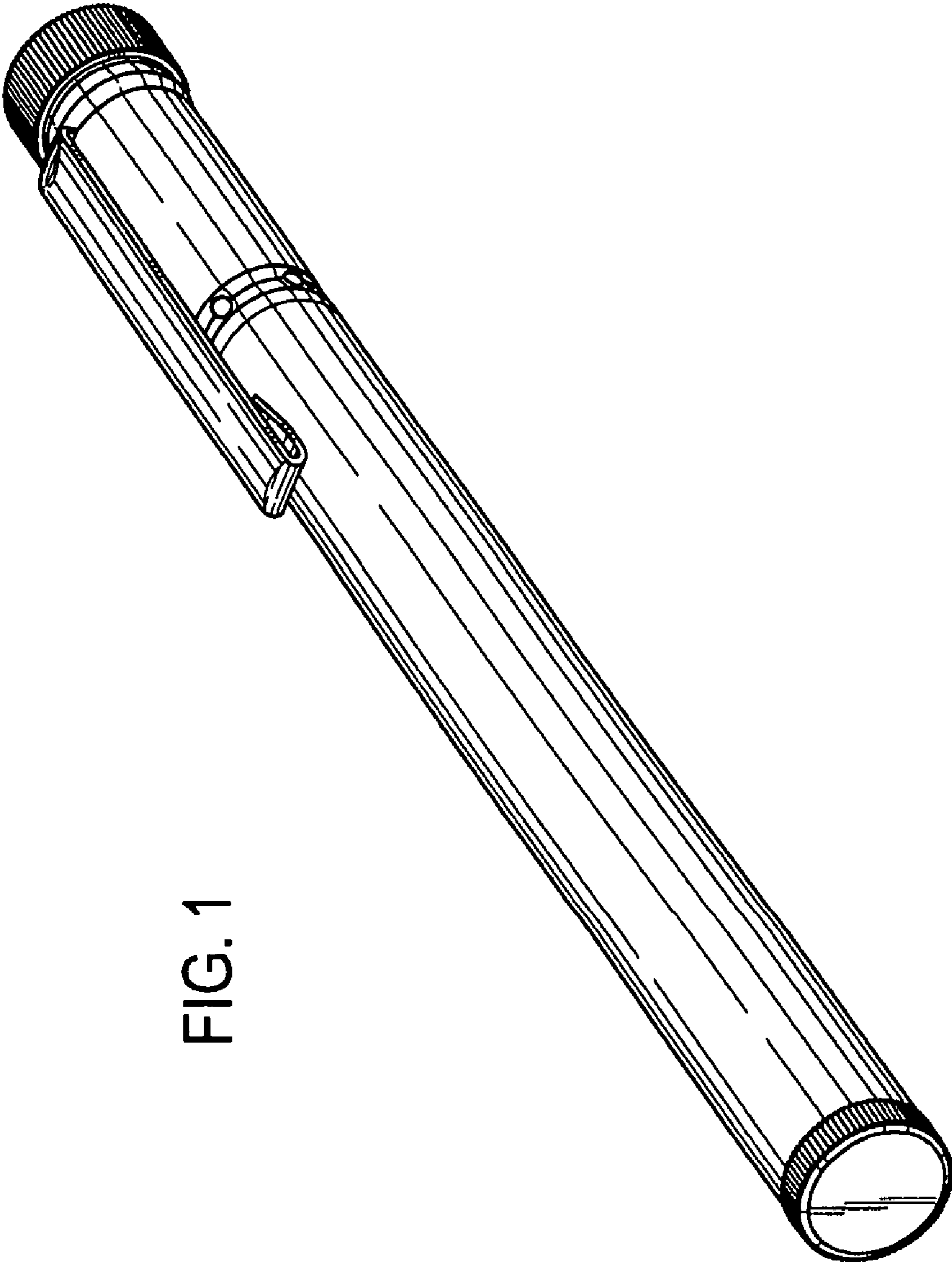


FIG. 1

FIG. 2

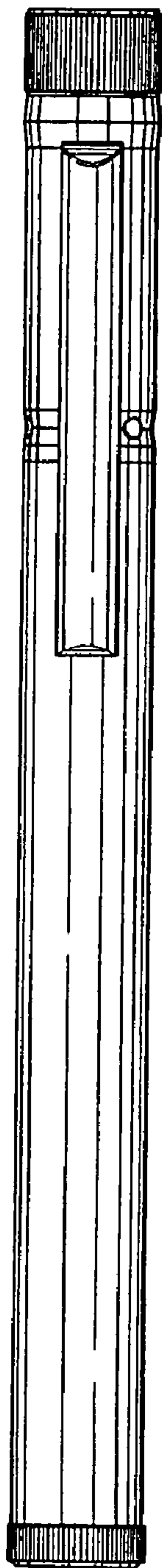


FIG. 4

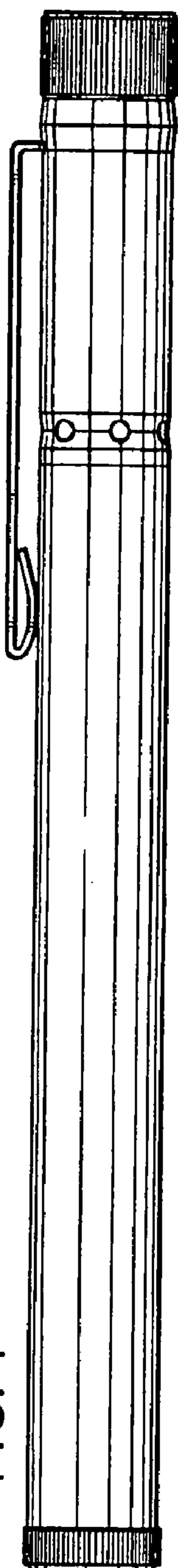


FIG. 6

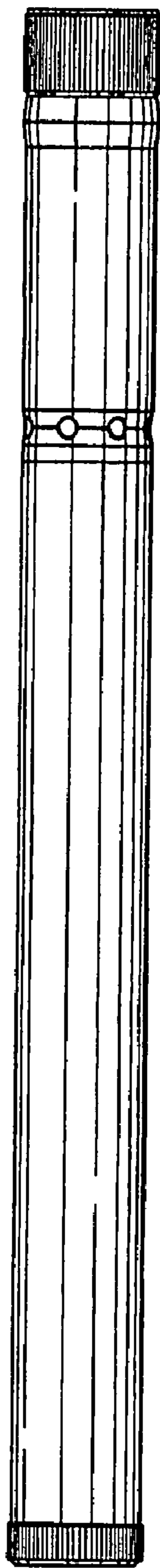


FIG. 7

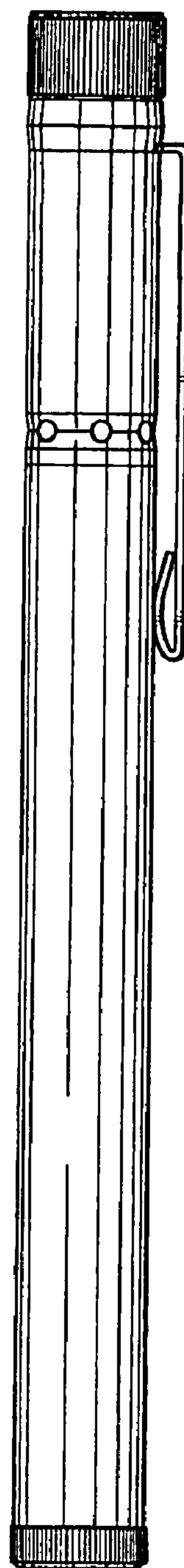


FIG. 3

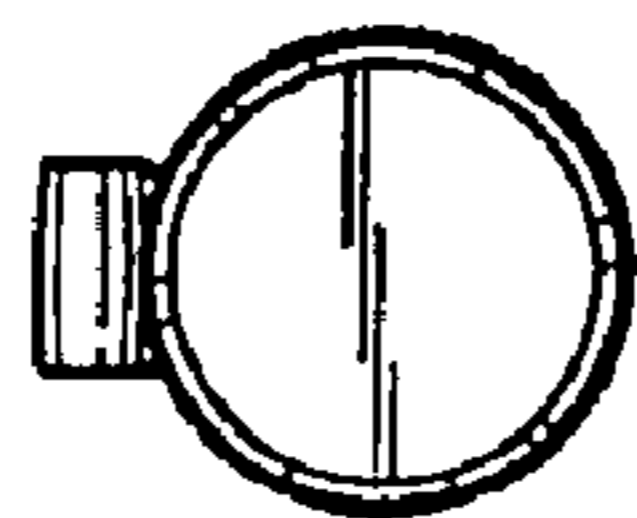


FIG. 5

