



US00D572654S

(12) **United States Design Patent**
Kang et al.

(10) **Patent No.:** **US D572,654 S**
(45) **Date of Patent:** **** Jul. 8, 2008**

(54) **BATTERY CHARGER**

(75) Inventors: **Donwoong Kang**, Camillus, NY (US);
Scott W. Osiecki, Skaneateles, NY (US)

(73) Assignee: **Eveready Battery Company, Inc.**, St.
Louis, MO (US)

(**) Term: **14 Years**

(21) Appl. No.: **29/250,048**

(22) Filed: **Oct. 31, 2006**

(51) **LOC (8) Cl.** **13-02**

(52) **U.S. Cl.** **D13/107**

(58) **Field of Classification Search** D13/107-110,
D13/118-119, 184; D14/251, 253, 432,
D14/434; 320/107-115

See application file for complete search history.

(56) **References Cited**

U.S. PATENT DOCUMENTS

D206,880 S * 2/1967 Kelly D13/108
D278,702 S * 5/1985 Chiodo et al. D13/107
4,629,962 A 12/1986 Arakawa

(Continued)

FOREIGN PATENT DOCUMENTS

WO 9717734 A1 5/1997

OTHER PUBLICATIONS

Exhibit A, "GP Power Bank Battery Charger, Purchased Oct. 2006
Hong Kong, Photographed May 2, 2007", 11 pp.

(Continued)

* cited by examiner

Primary Examiner—Cathron Brooks

Assistant Examiner—Rosemary K Tarcza

(74) *Attorney, Agent, or Firm*—Gregory J. Adams

(57) **CLAIM**

The ornamental design for a battery charger, as shown and described.

DESCRIPTION

FIG. 1 is a top perspective of a battery charger showing our new design, wherein a cover is depicted in a closed position;

FIG. 2 is a front view thereof, wherein the cover is depicted in the closed position;

FIG. 3 is a rear view thereof, wherein the cover is depicted in the closed position;

FIG. 4 is a right side view thereof, wherein the cover is depicted in the closed position;

FIG. 5 is a left side view thereof, wherein the cover is depicted in the closed position;

FIG. 6 is a top view thereof, wherein the cover is depicted in the closed position;

FIG. 7 is a bottom view thereof, wherein the cover is depicted in the closed position;

FIG. 8 is a top perspective of the battery charger, wherein the cover is depicted in an open position;

FIG. 9 is a front view thereof, wherein the cover is depicted in the open position;

FIG. 10 is a rear view thereof, wherein the cover is depicted in the open position;

FIG. 11 is a right side view thereof, wherein the cover is depicted in the open position;

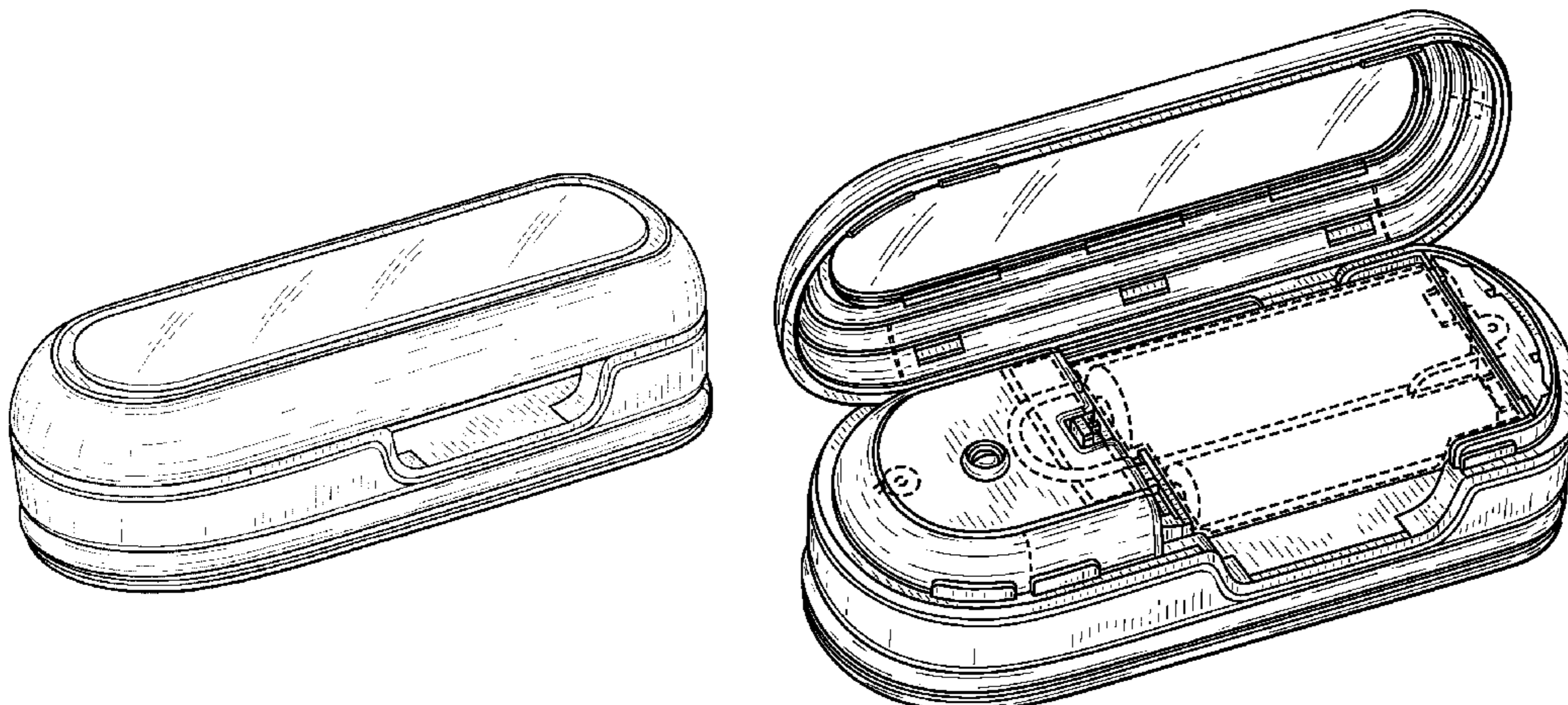
FIG. 12 is a left side view thereof, wherein the cover is depicted in the open position;

FIG. 13 is a top view thereof, wherein the cover is depicted in the open position; and,

FIG. 14 is a bottom view thereof, wherein the cover is depicted in the open position.

The broken line showing is included for the purposes of illustrating environmental features and forms no part of the claimed design.

1 Claim, 14 Drawing Sheets



US D572,654 S

Page 2

U.S. PATENT DOCUMENTS

4,766,361 A * 8/1988 Pusateri 320/110
D328,276 S * 7/1992 Koinuma D13/107
D331,220 S * 11/1992 Tsuchiya D13/107
D336,281 S * 6/1993 Nakamura et al. D13/107
5,686,811 A * 11/1997 Bushong et al. 320/110
D412,487 S * 8/1999 Nagele et al. D13/108
D442,544 S * 5/2001 Ku D13/107
D443,856 S * 6/2001 Lehtovaara D13/107
D483,014 S * 12/2003 Hsiao D13/107
6,710,577 B1 3/2004 Shum
6,876,172 B2 4/2005 Lam et al.

D511,493 S * 11/2005 Luneau D13/108
2002/0063550 A1 5/2002 Chen et al.
2002/0117995 A1* 8/2002 Oh 320/107

OTHER PUBLICATIONS

GP Batteries, GP PowerBank Premium Chargers product information, 2004, 4 pages, GPI International Ltd..
GP Batteries, GP PowerBank Specialty Chargers product information, 2004, 2 pages, GPI international Ltd..
GP Batteries, GP PowerBank Standard Chargers product information. 2004, 3 pages, GPI International Ltd..
Conrad.De, GP PowerBank Mini product information, downloaded on Jan. 11, 2006, 10 pages.

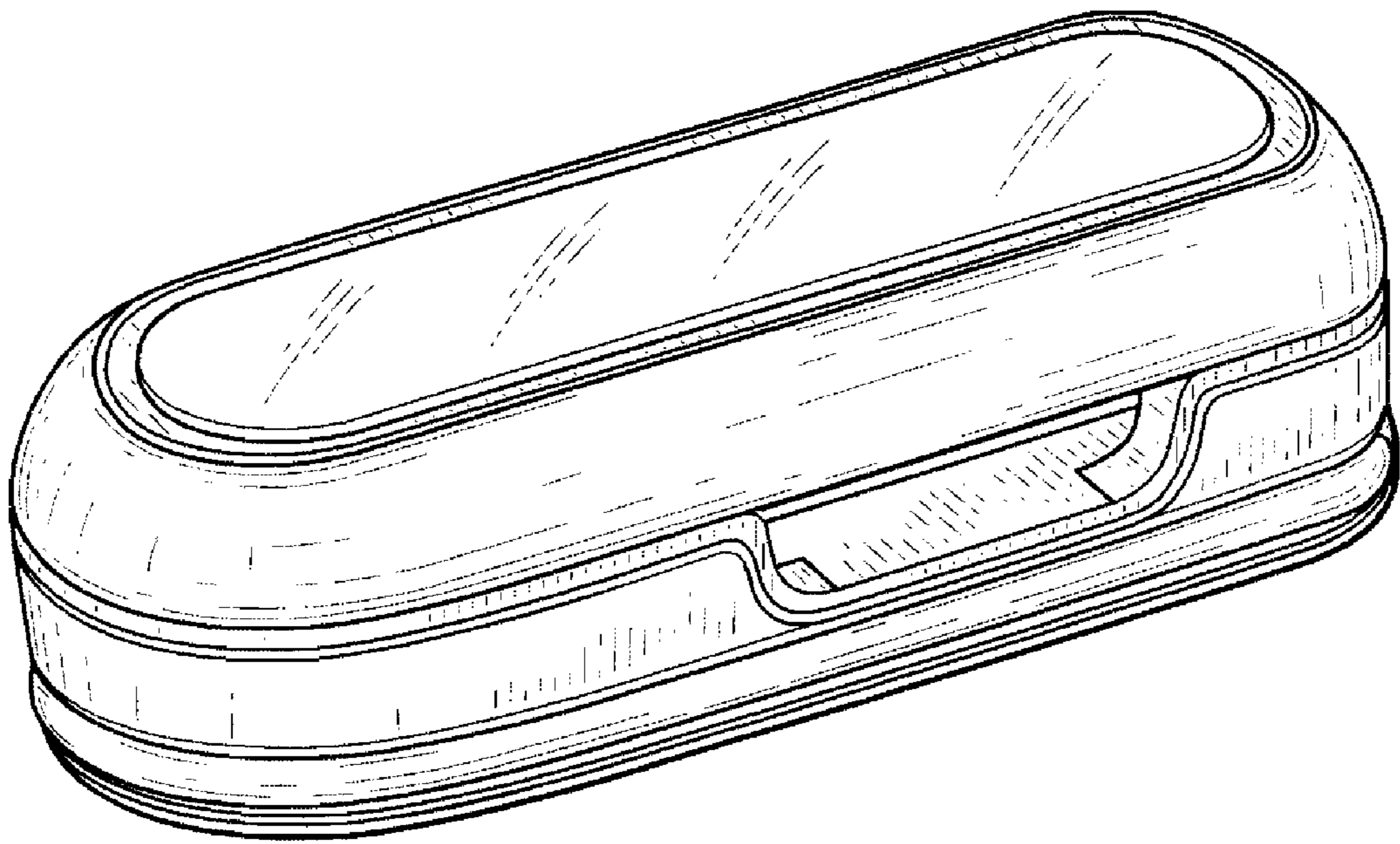


FIG. 1

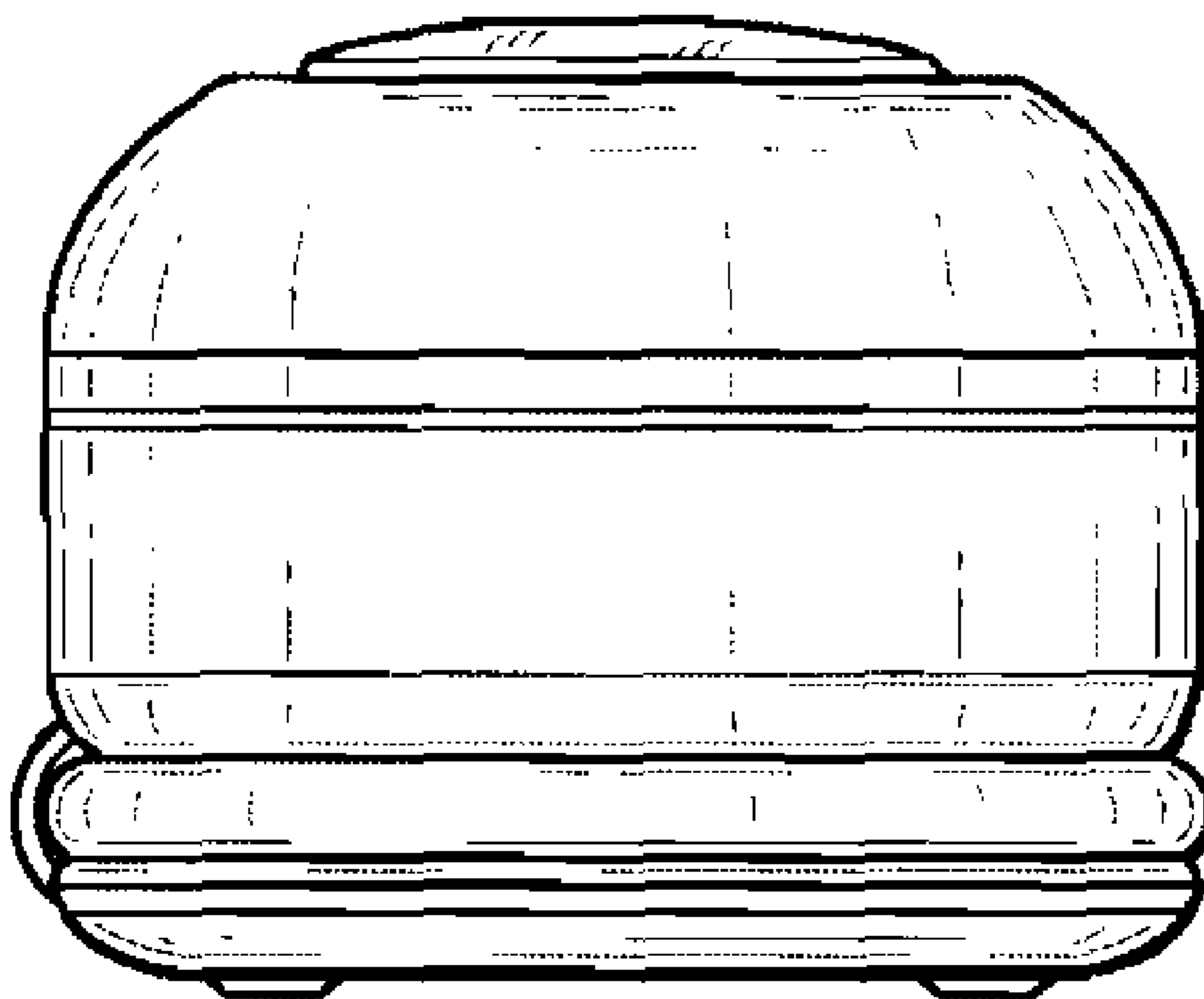


FIG. 2

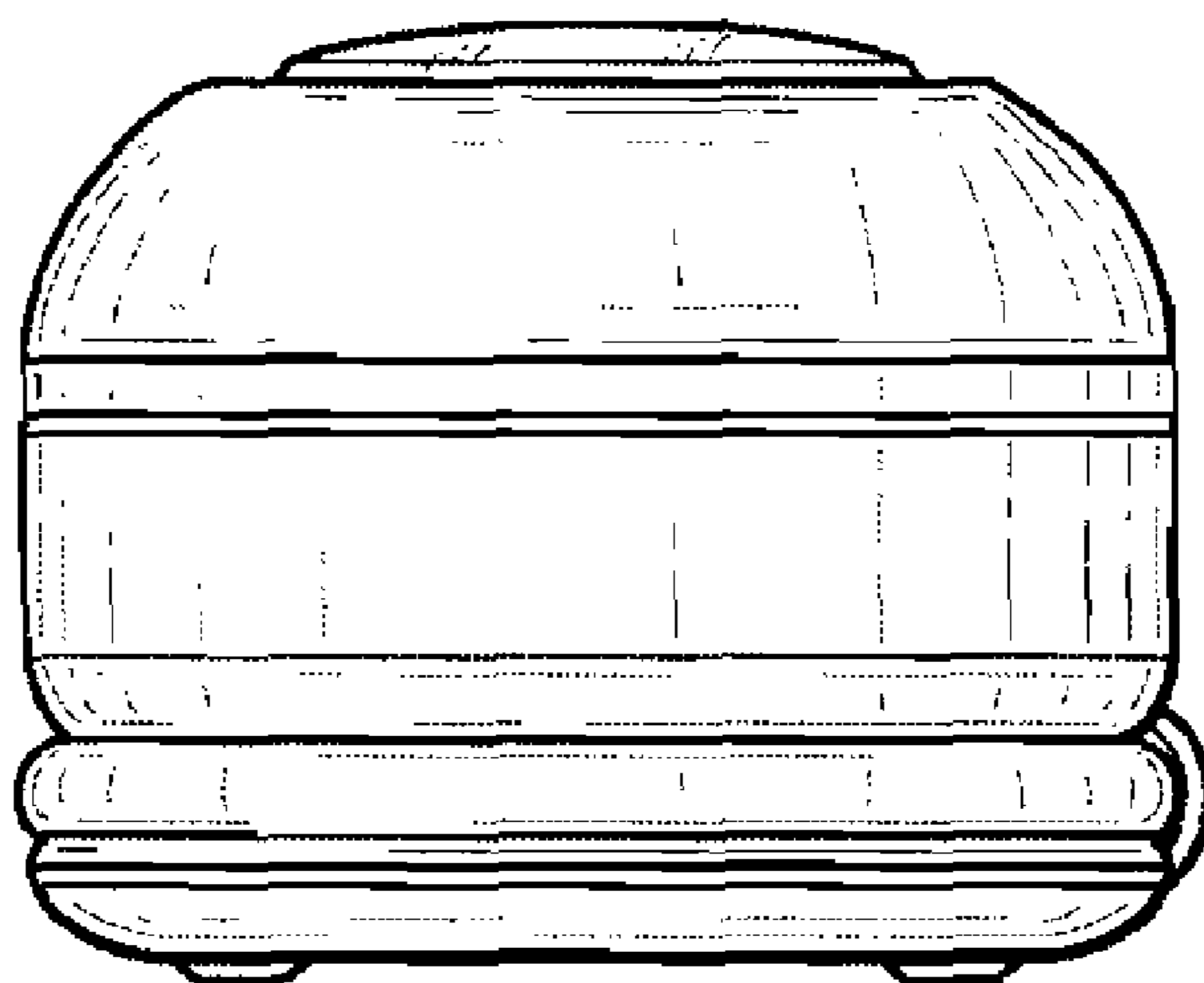


FIG. 3

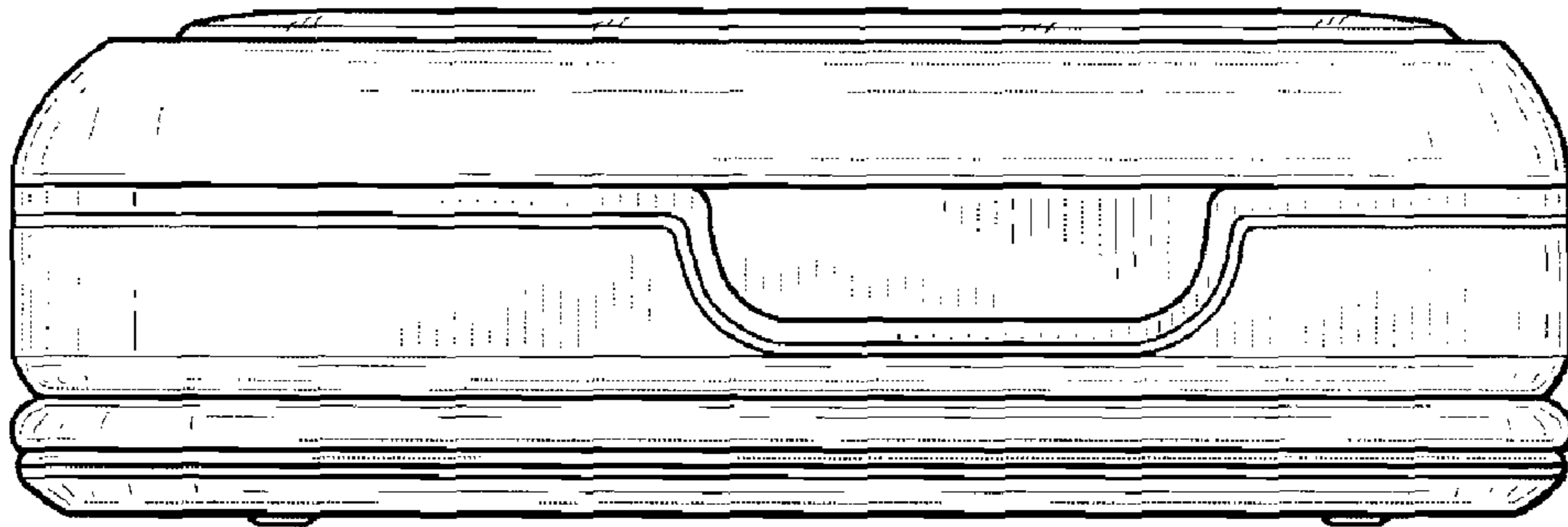


FIG. 4

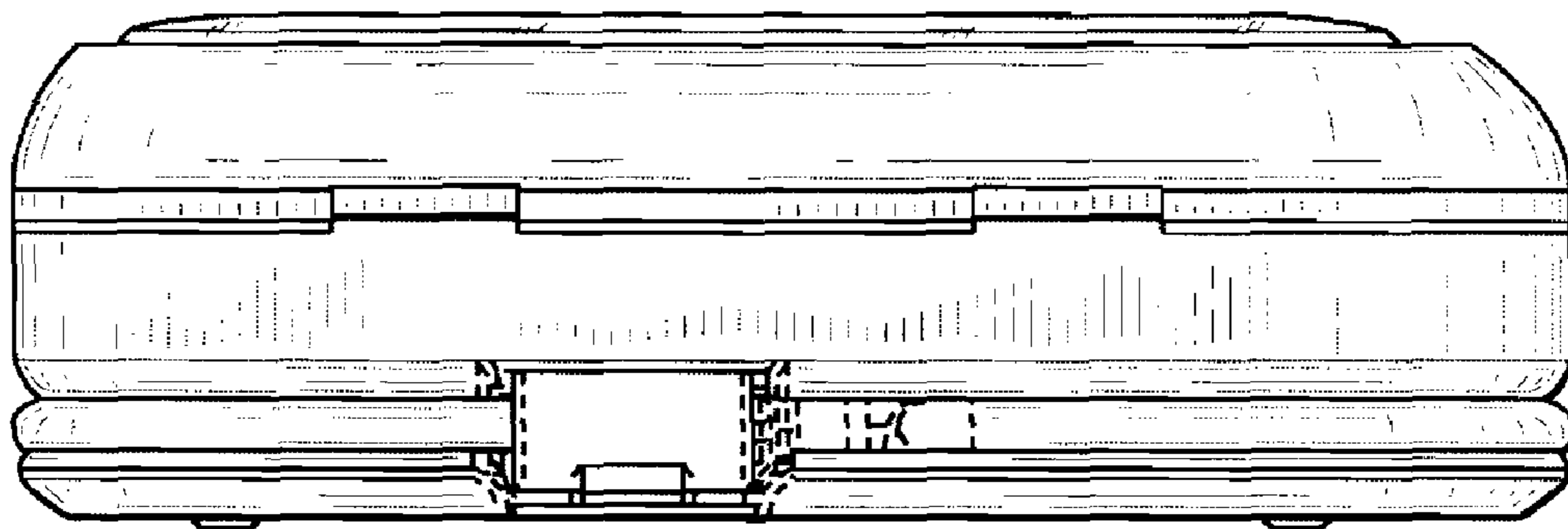


FIG. 5

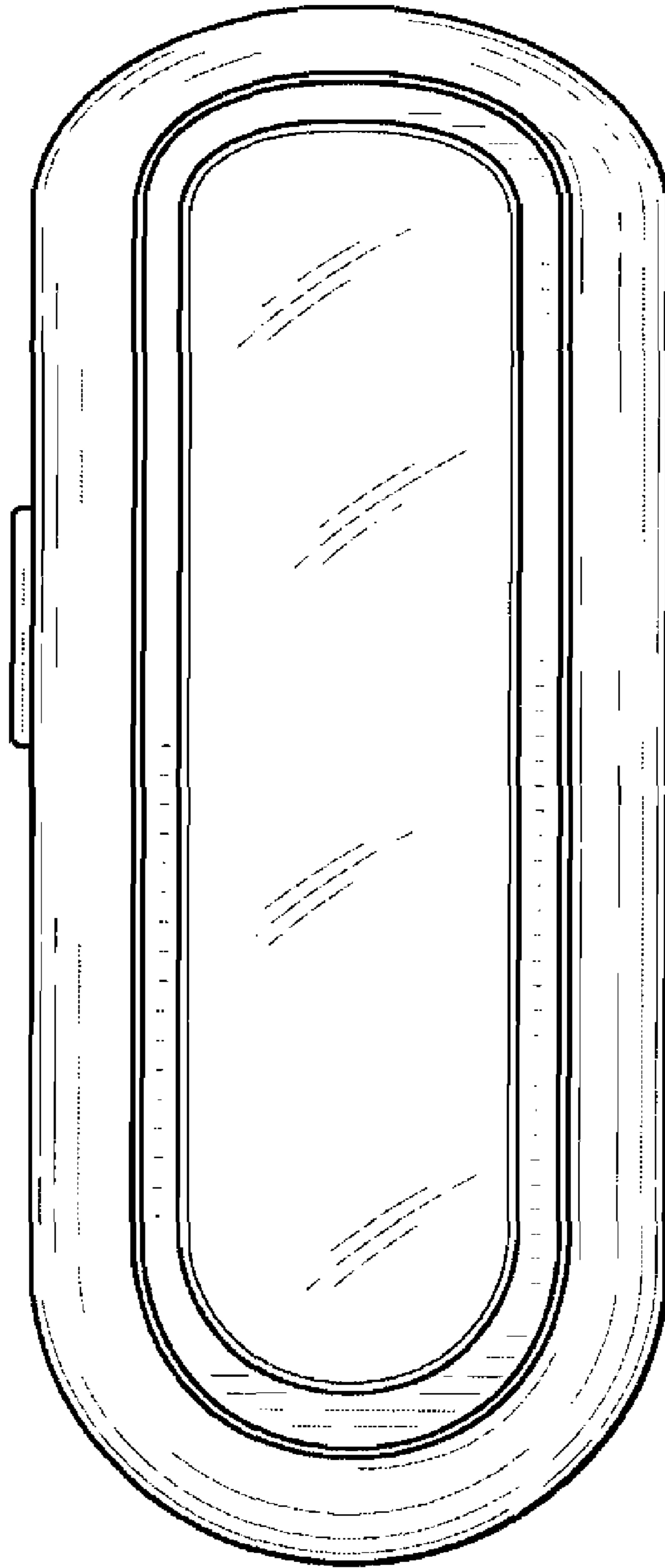


FIG. 6

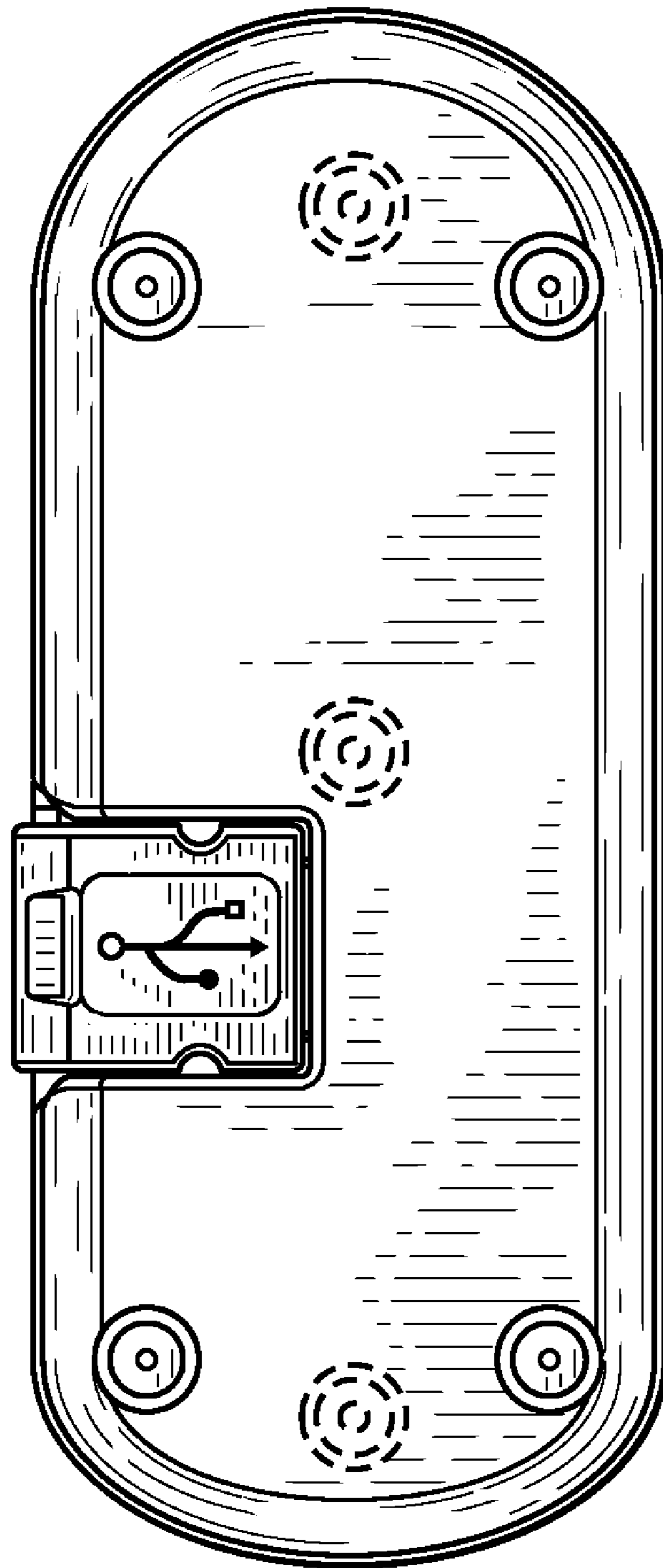


FIG. 7

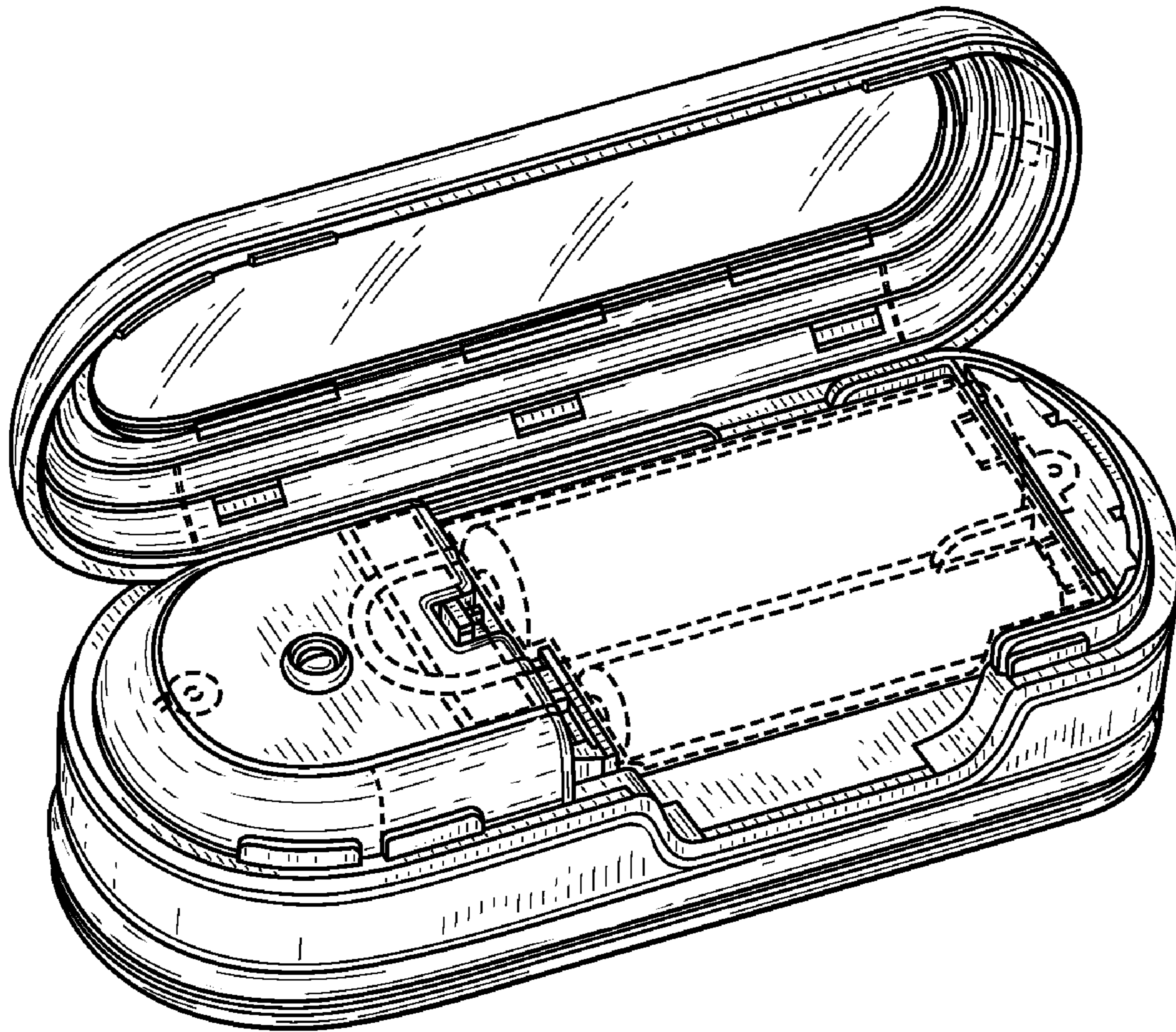


FIG. 8

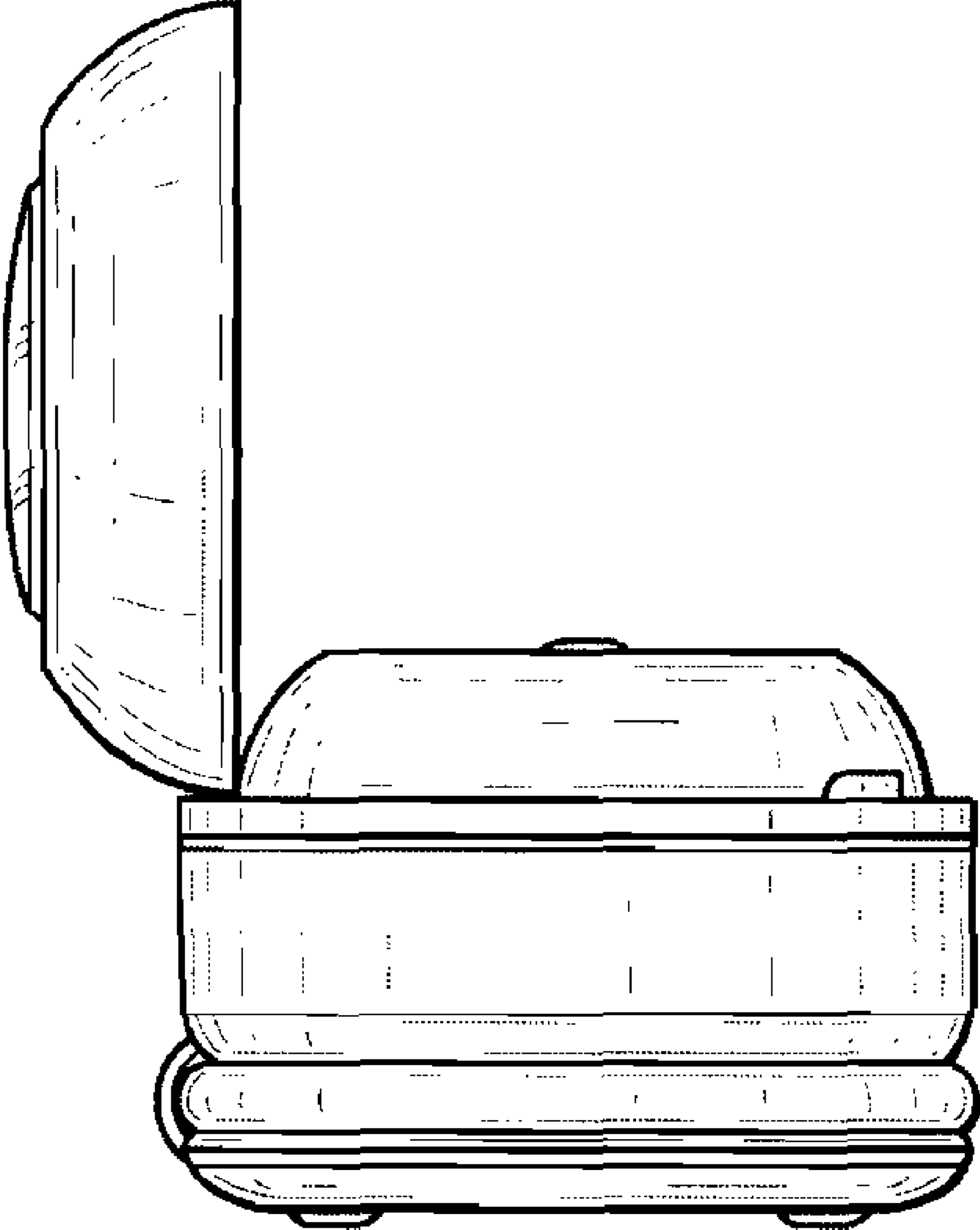


FIG. 9

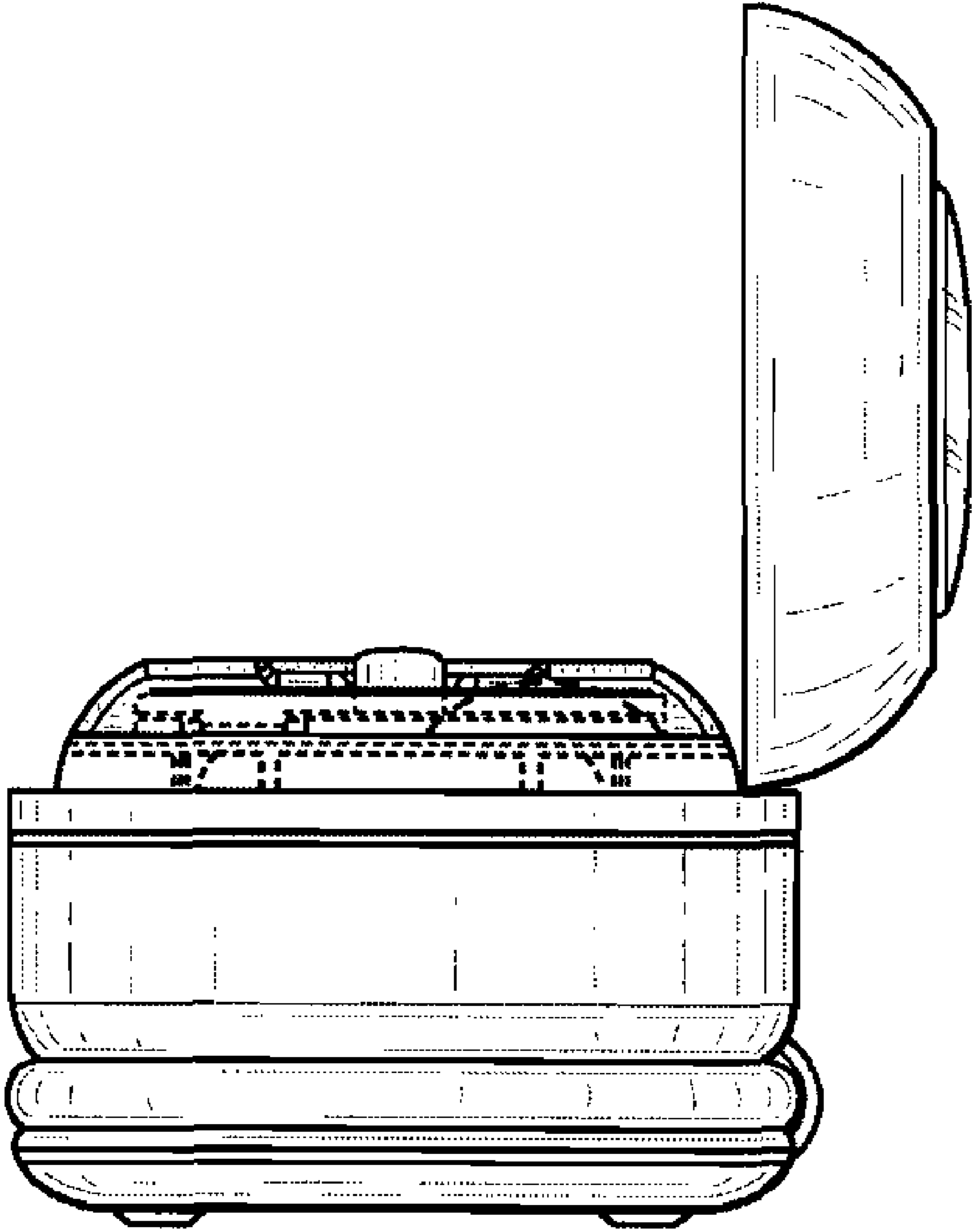


FIG. 10

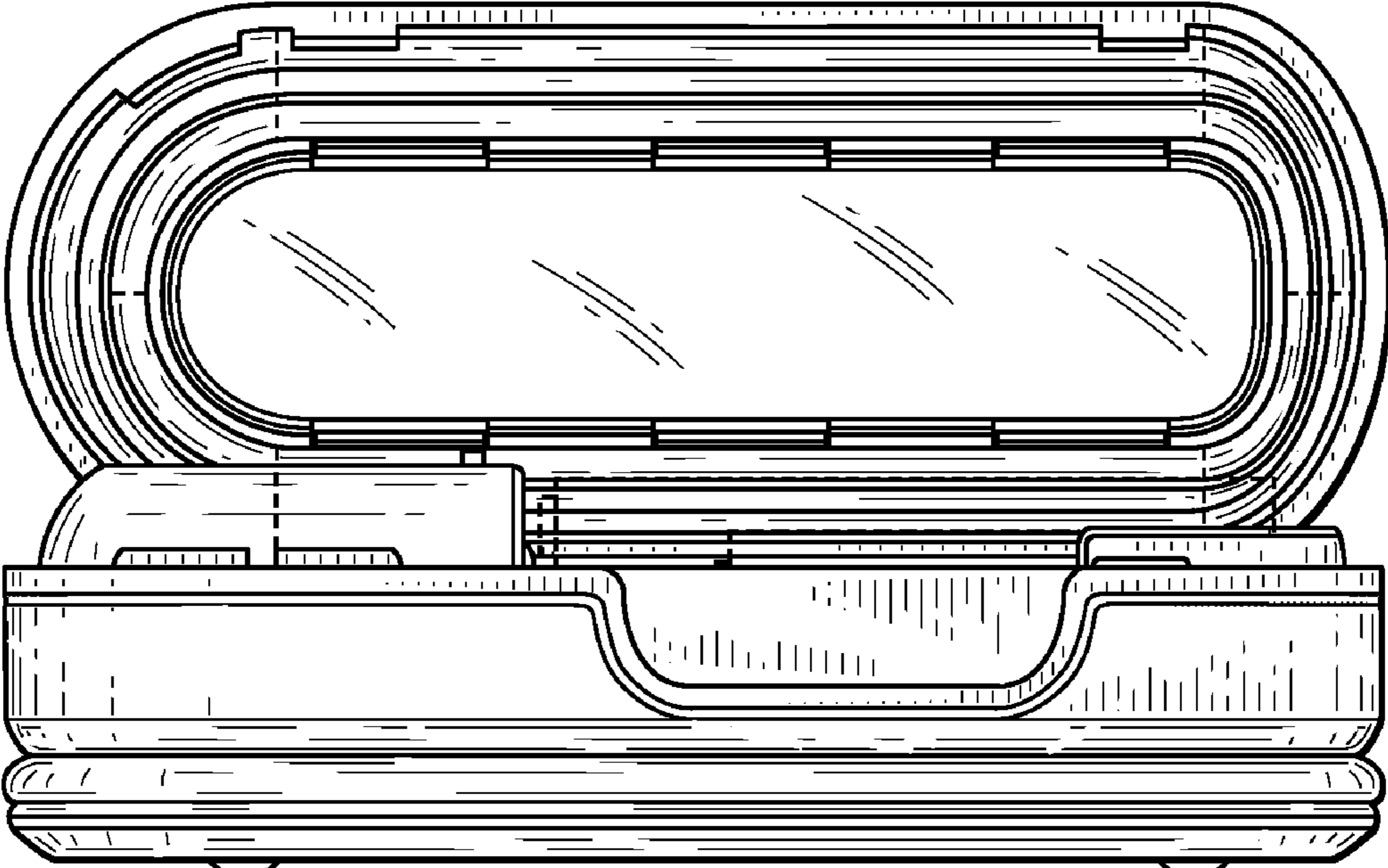


FIG. 11

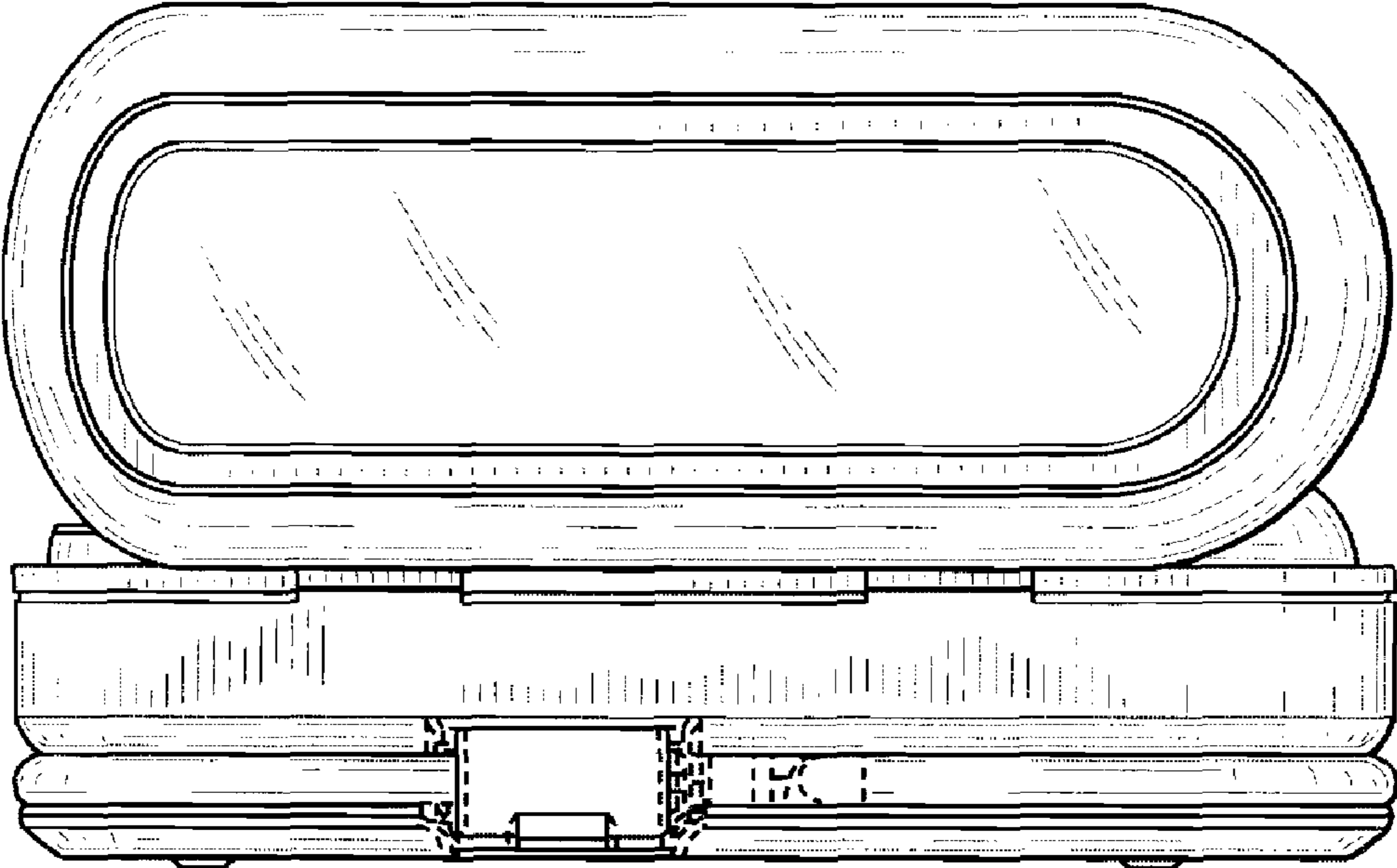


FIG. 12

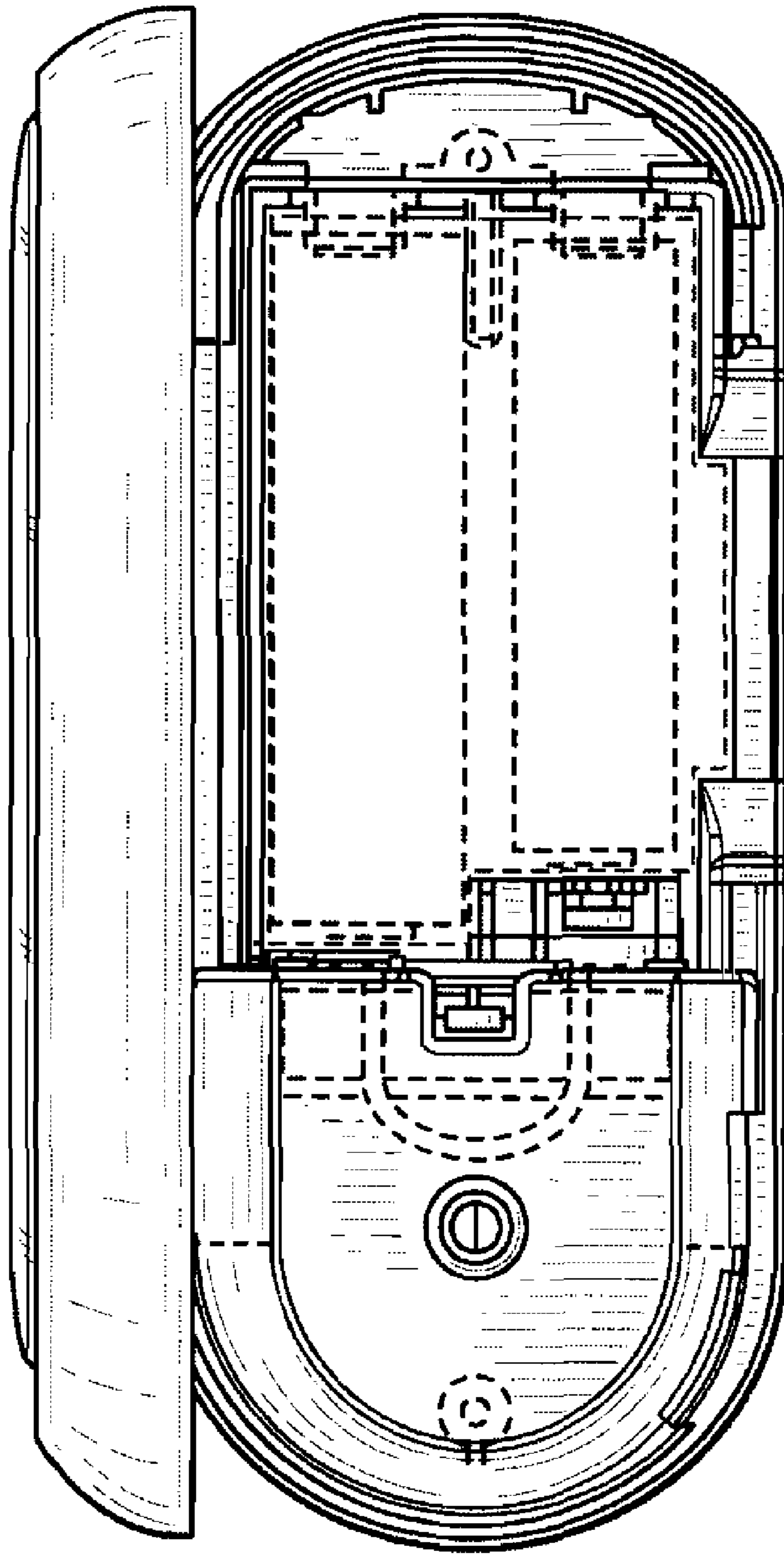


FIG. 13

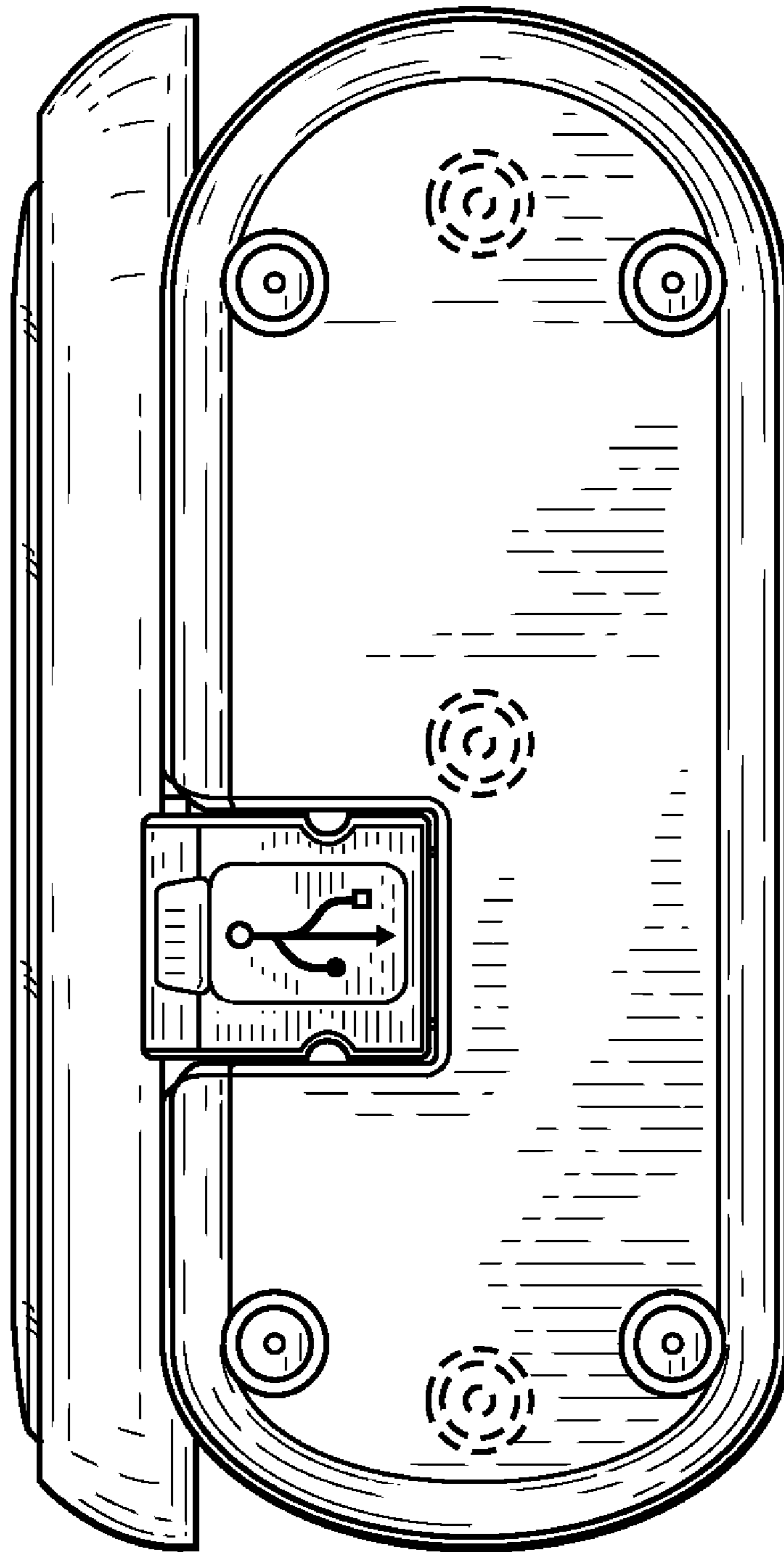


FIG. 14