



US00D572652S

(12) **United States Design Patent**
Hutcheson

(10) **Patent No.:** **US D572,652 S**

(45) **Date of Patent:** **** Jul. 8, 2008**

(54) **STORAGE CONTAINER**

D515,314 S * 2/2006 Stantial D3/905
D539,727 S * 4/2007 O'Connor et al. D12/414.1

(76) Inventor: **Richard Hutcheson**, 3329 Knoll Ridge
Dr., El Dorado Hills, CA (US) 95762

* cited by examiner

(**) Term: **14 Years**

Primary Examiner—Stacia Cadmus
(74) *Attorney, Agent, or Firm*—John P. Costello

(21) Appl. No.: **29/296,878**

(57) **CLAIM**

(22) Filed: **Oct. 30, 2007**

The ornamental design for a storage container, as shown and described.

(51) **LOC (8) Cl.** **12-99**

(52) **U.S. Cl.** **D12/414.1**

(58) **Field of Classification Search** D12/412–413,
D12/414.1, 423–425; D3/272–273, 905,
D3/318, 294–295; D6/400; 296/26.09, 24.1,
296/37.1, 37.6–37.9; 224/539–541, 400–404;
206/372–373, 349; 280/901

DESCRIPTION

See application file for complete search history.

FIG. 1 is a perspective view of the storage container of the present invention;

FIG. 2 is a top plan view of the storage container;

FIG. 3 is a side view of the storage container as seen from the left side;

FIG. 4 is a bottom plan view of the storage container;

FIG. 5 is a side view of the storage container as seen from the right side;

FIG. 6 is a rear view of the storage container;

FIG. 7 is a front view of the storage container; and,

FIG. 8 is a right side view of the storage container shown in its environment mounted to the bed of a pickup truck.

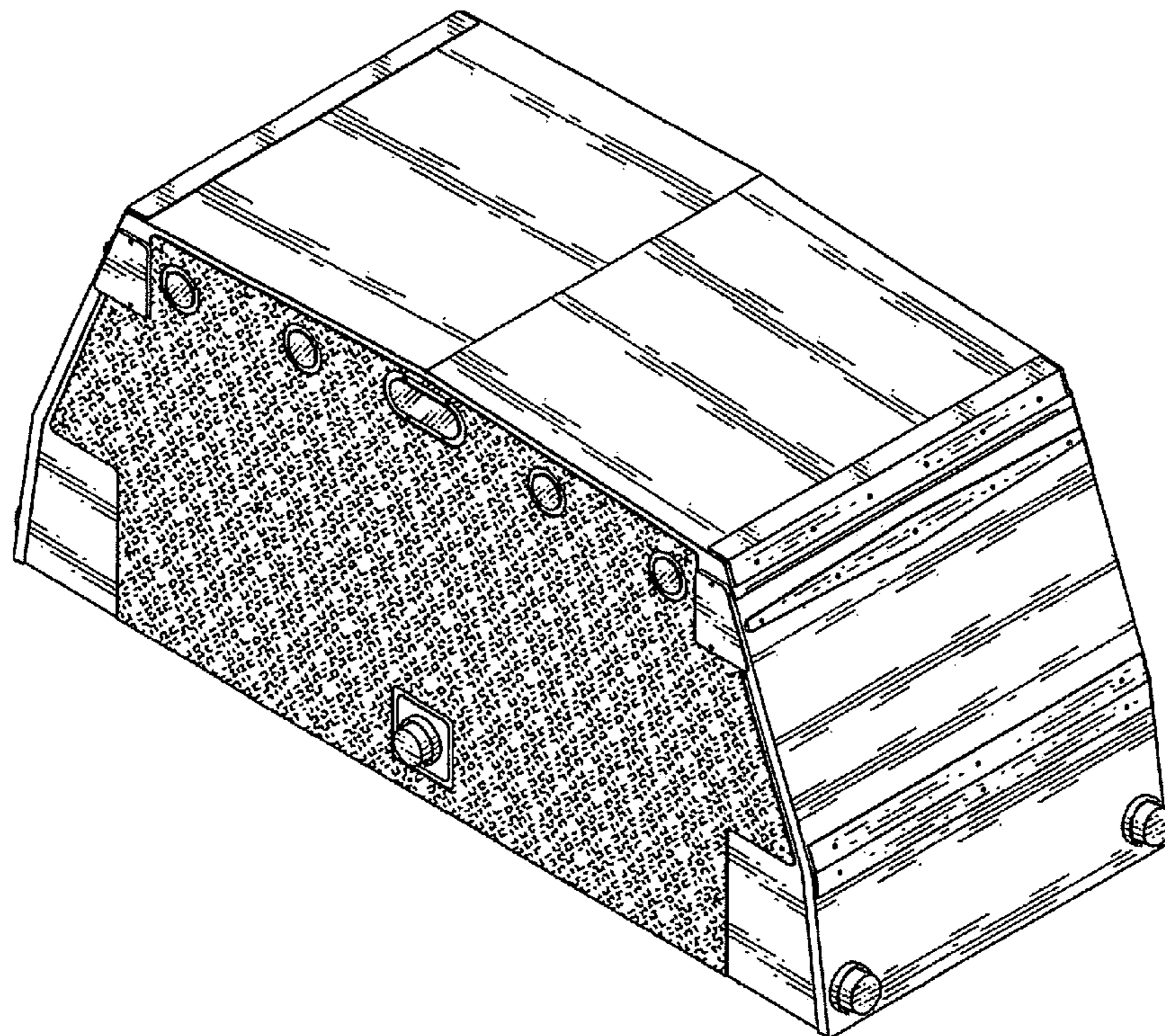
The broken lines are for illustrative purposes only and form no part of the claimed design.

(56) **References Cited**

U.S. PATENT DOCUMENTS

D274,139 S *	6/1984	Suffern et al.	D12/414.1
D294,816 S *	3/1988	Hoyt	D12/414.1
D294,935 S *	3/1988	Grossman	D12/414.1
D317,865 S *	7/1991	Waters	D12/414.1
D353,046 S *	12/1994	Whitaker	D3/273
D372,454 S *	8/1996	Murray, Sr.	D12/414.1
D374,654 S *	10/1996	Steketee	D12/414.1
D378,671 S *	4/1997	Herrs	D12/414.1
D403,654 S *	1/1999	Houry	D12/414.1
D475,007 S *	5/2003	McCoy et al.	D12/423
D494,535 S *	8/2004	McCoy et al.	D12/423

1 Claim, 3 Drawing Sheets



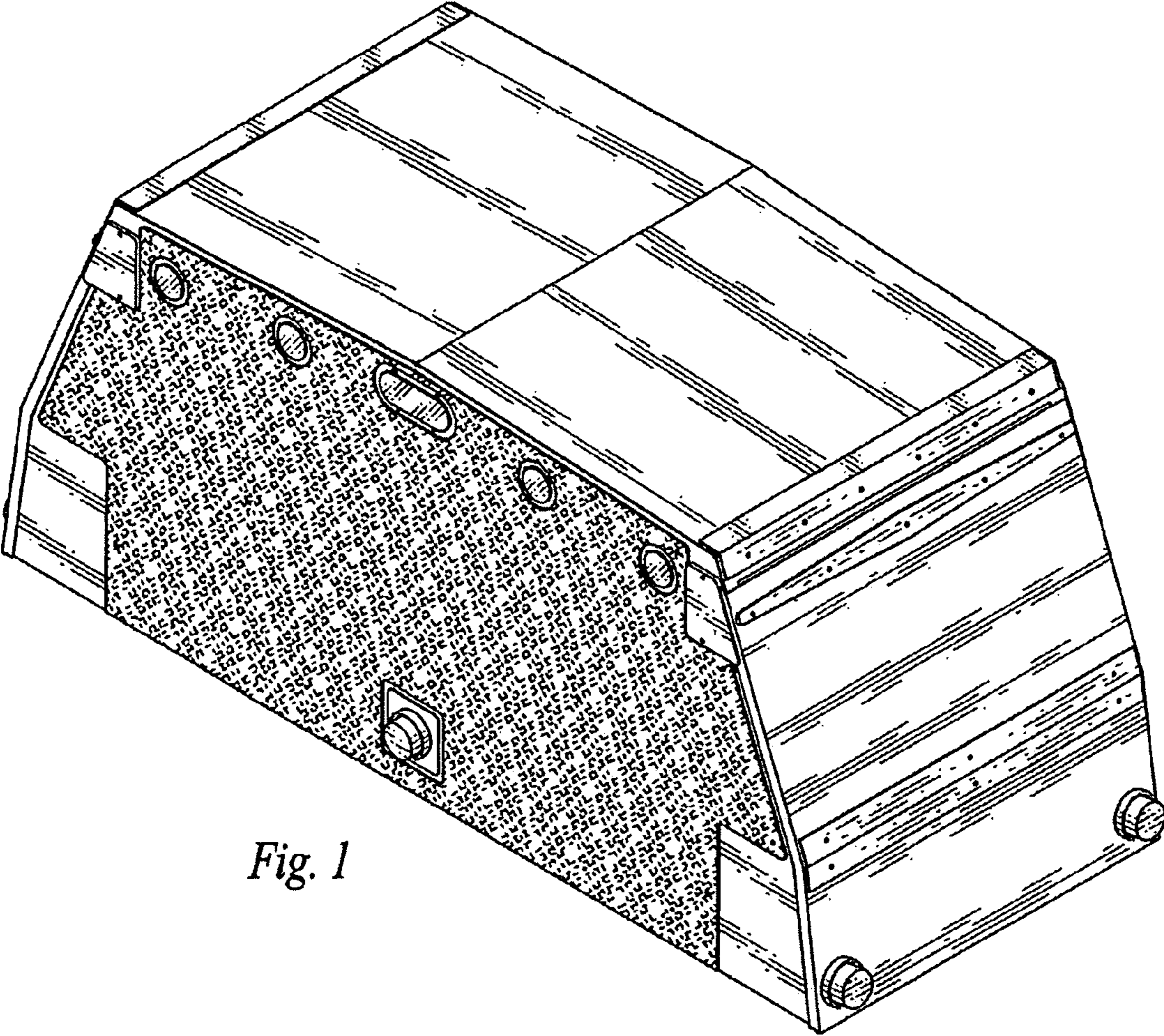


Fig. 1

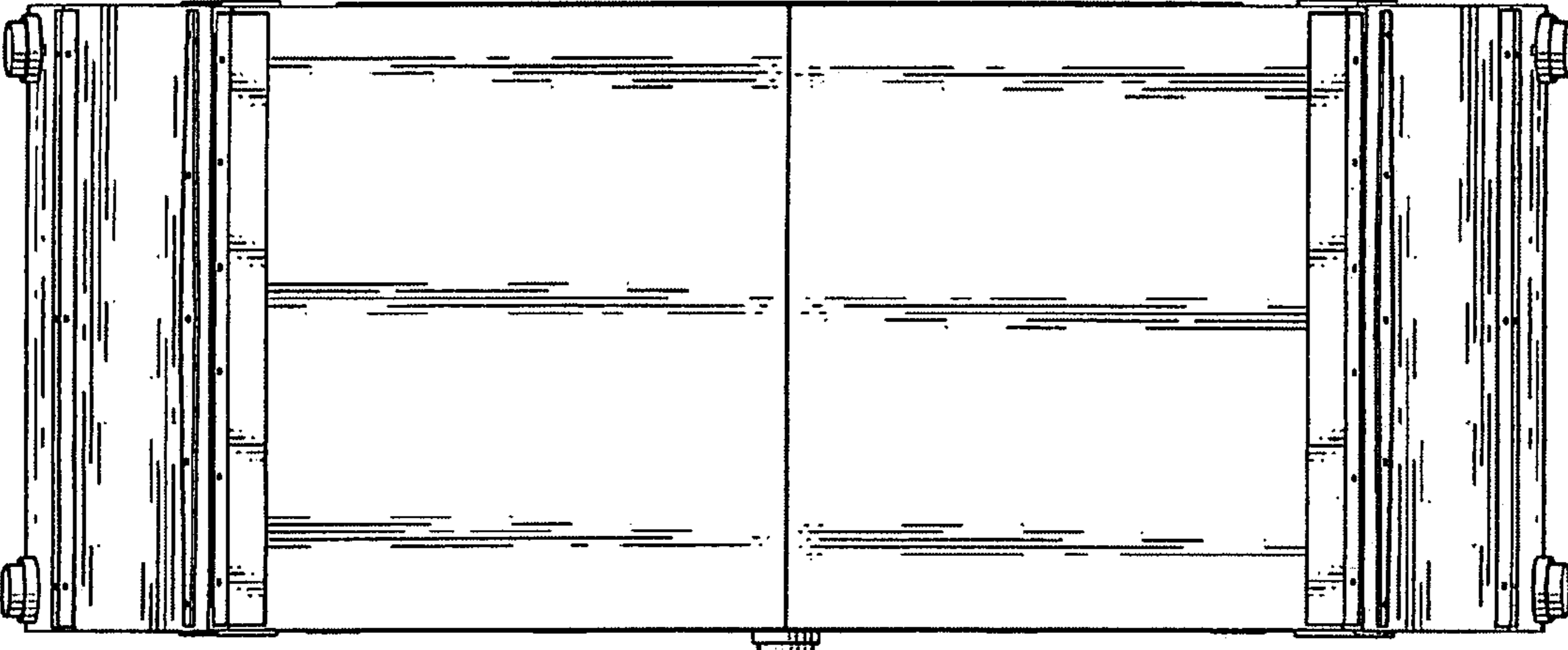


Fig. 2

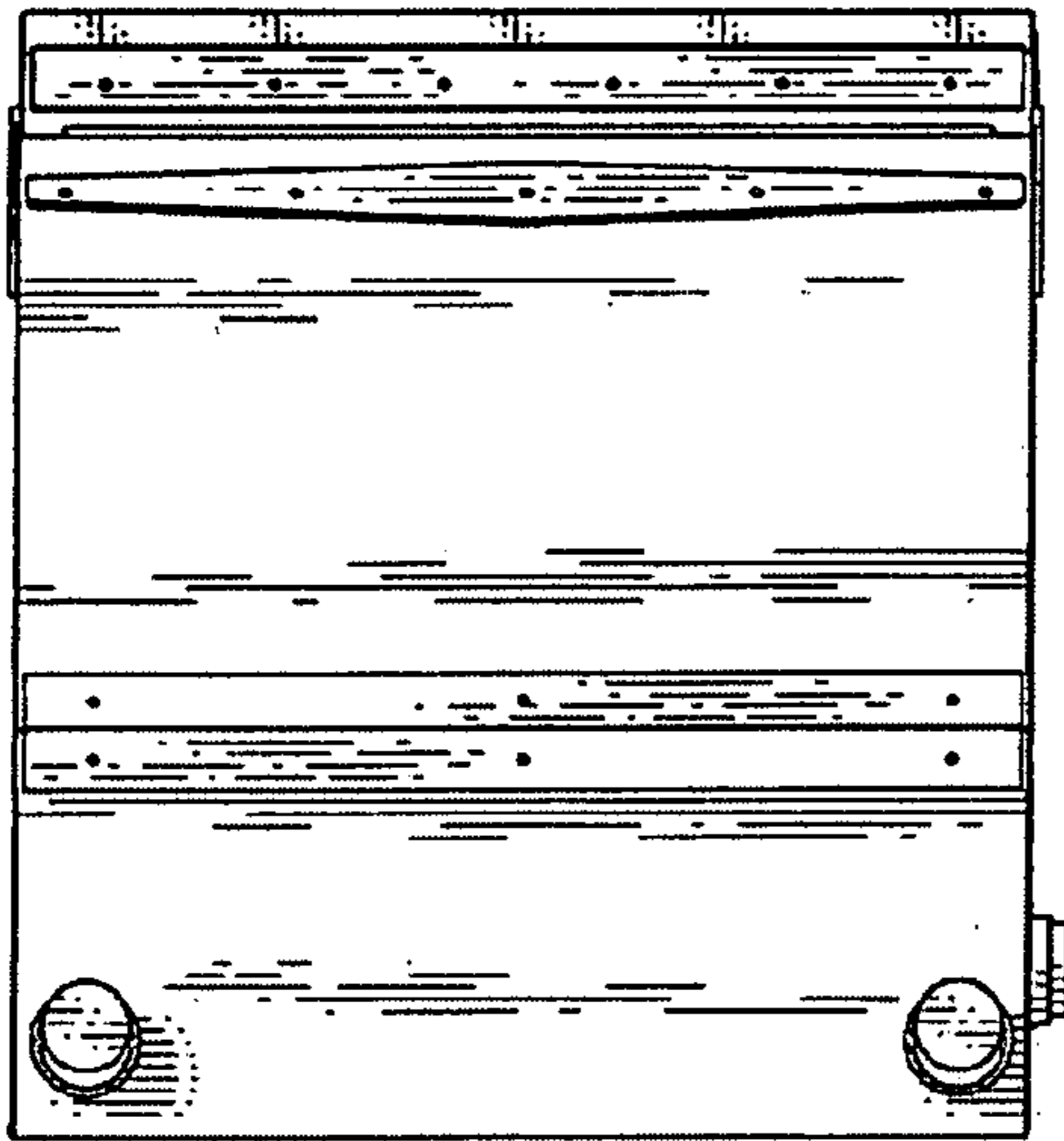


Fig. 3

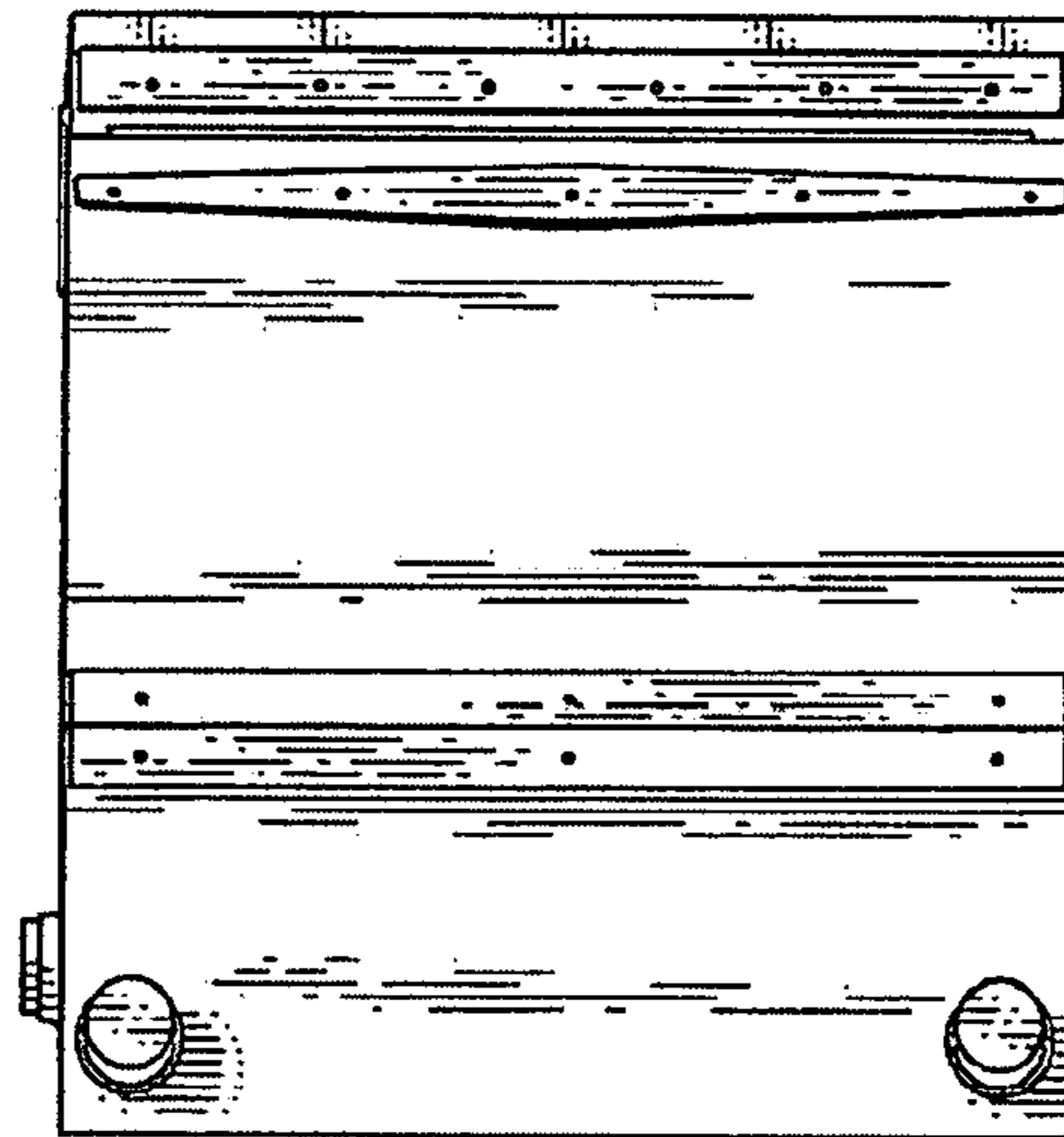


Fig. 5

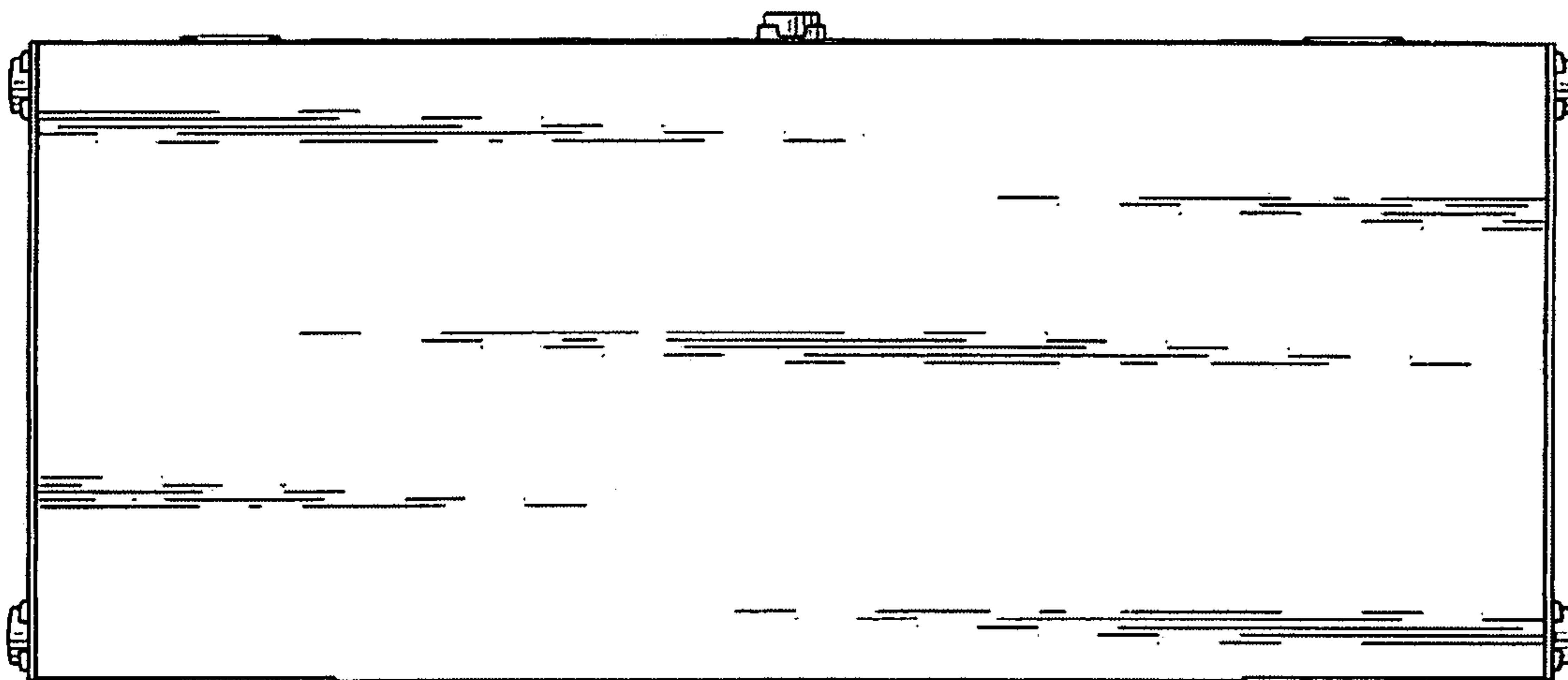


Fig. 4

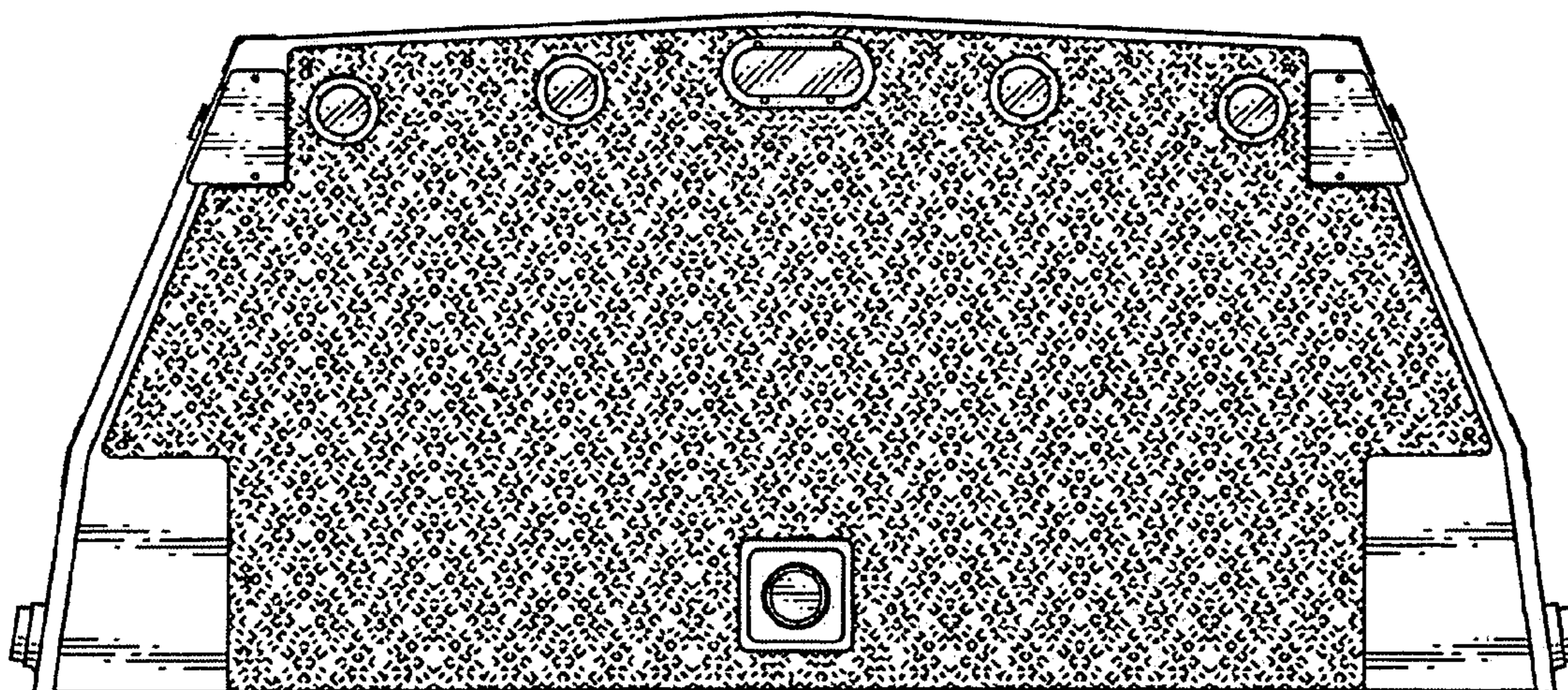


Fig. 6

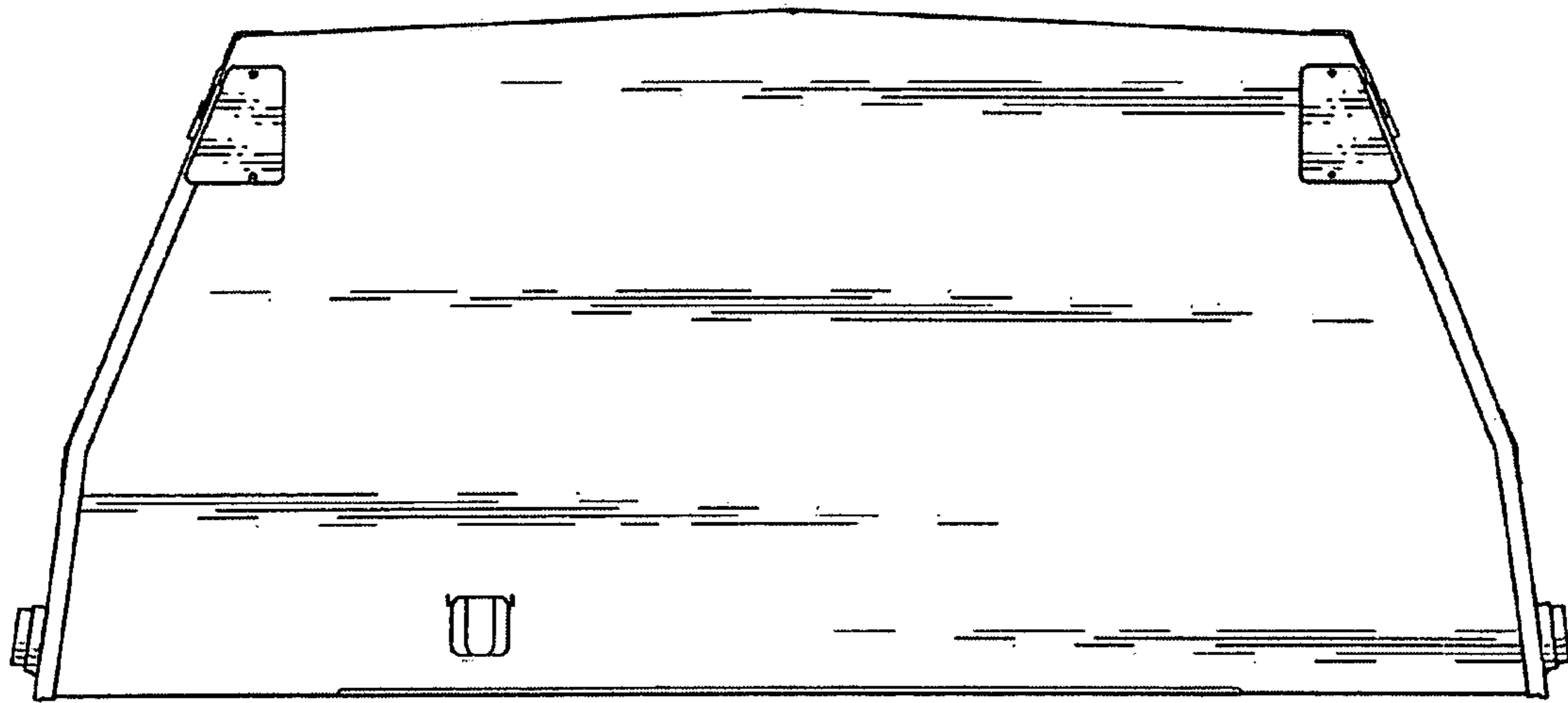


Fig. 7

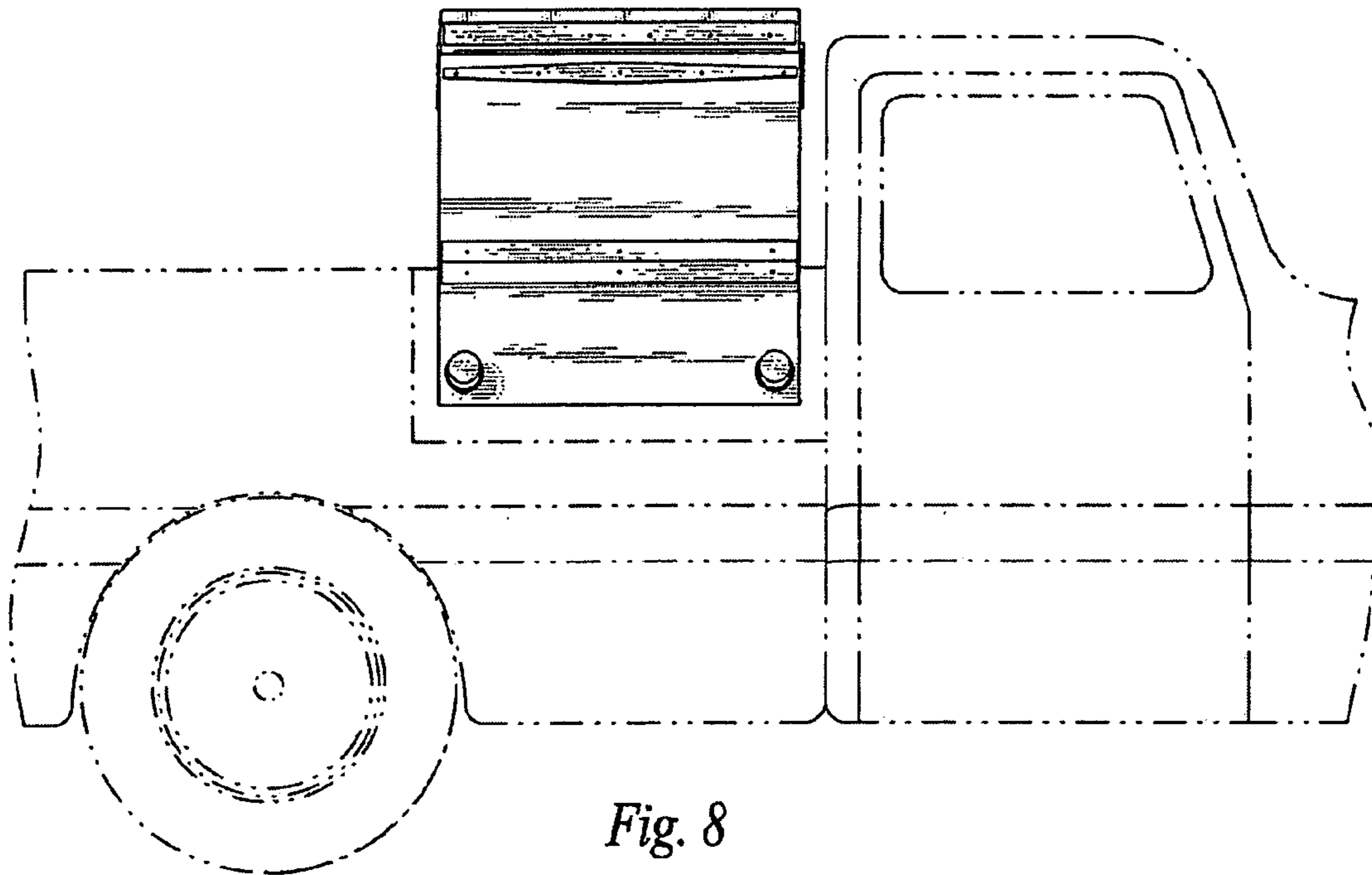


Fig. 8