



US00D572651S

(12) **United States Design Patent**
Schweizer

(10) **Patent No.:** **US D572,651 S**

(45) **Date of Patent:** **** Jul. 8, 2008**

(54) **FRONT FACE OF A VEHICLE WHEEL**

(75) Inventor: **Oliver Schweizer**, Stuttgart (DE)

(73) Assignee: **Daimler AG**, Stuttgart (DE)

(**) Term: **14 Years**

(21) Appl. No.: **29/290,695**

(22) Filed: **Jan. 3, 2008**

(30) **Foreign Application Priority Data**

Jul. 4, 2007 (EM) 000751680-0002

(51) **LOC (8) Cl.** **12-16**

(52) **U.S. Cl.** **D12/211**

(58) **Field of Classification Search** D12/204-213;
301/37.101, 64.101, 65, 64.201
See application file for complete search history.

(56) **References Cited**

U.S. PATENT DOCUMENTS

- D396,682 S * 8/1998 Sacco et al. D12/209
- D402,952 S * 12/1998 Sycha D12/211
- D444,759 S * 7/2001 Hartl D12/211
- D475,336 S * 6/2003 Larson D12/209
- D482,997 S * 12/2003 Viandante D12/211

- D484,084 S * 12/2003 Tai D12/211
- D491,873 S * 6/2004 Markefka D12/211
- D516,484 S * 3/2006 Koch D12/209
- D526,949 S * 8/2006 Viandante D12/211
- D530,259 S * 10/2006 Sands D12/211
- D531,953 S * 11/2006 Aoki D12/211
- D539,205 S * 3/2007 Hosoi D12/211

* cited by examiner

Primary Examiner—Stacia Cadmus

(74) *Attorney, Agent, or Firm*—Crowell & Moring LLP

(57) **CLAIM**

The ornamental design for a front face of a vehicle wheel, as shown and described.

DESCRIPTION

FIG. 1 is a front view of a first embodiment of a front face of a vehicle wheel according to my novel design; and

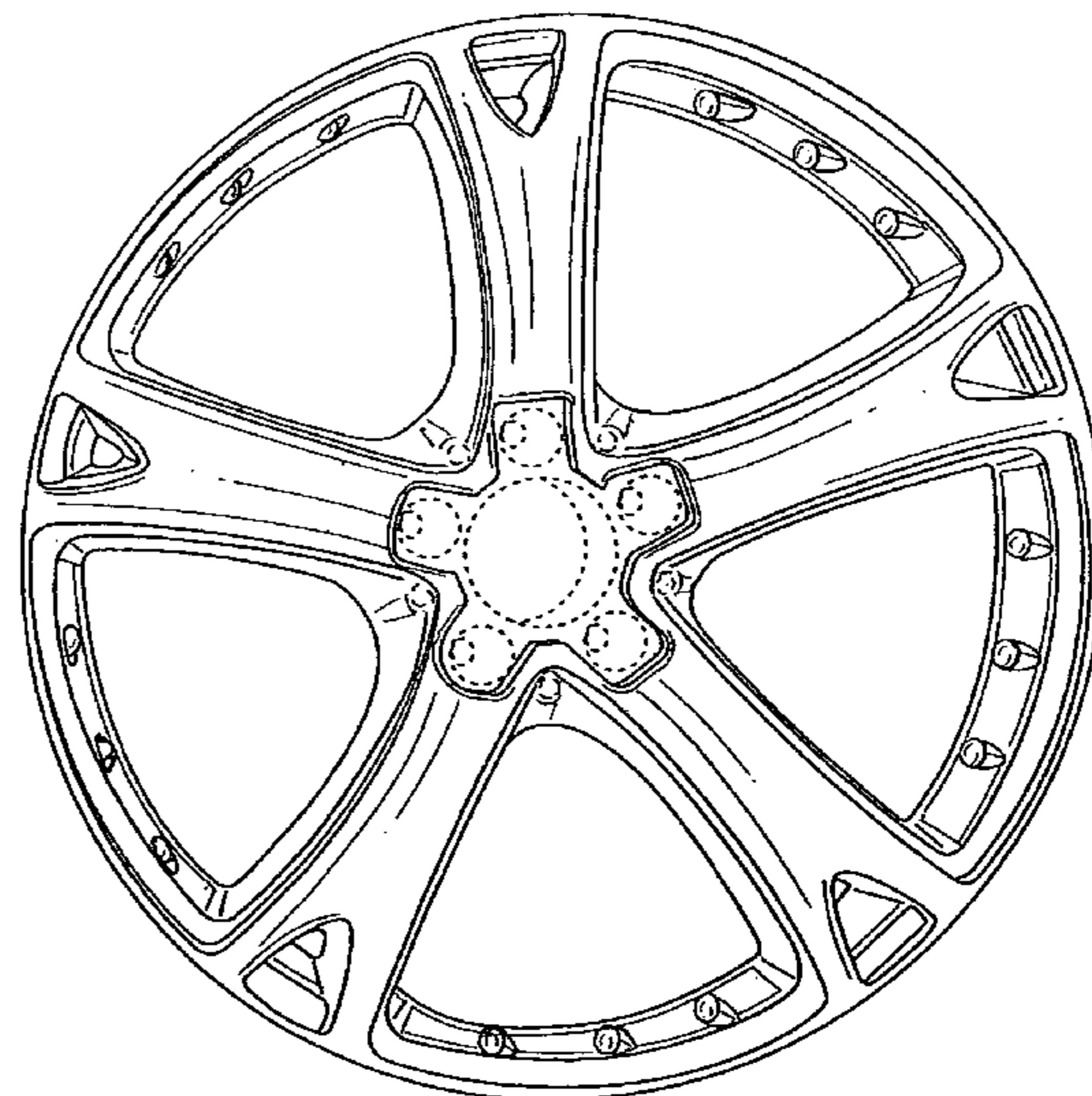
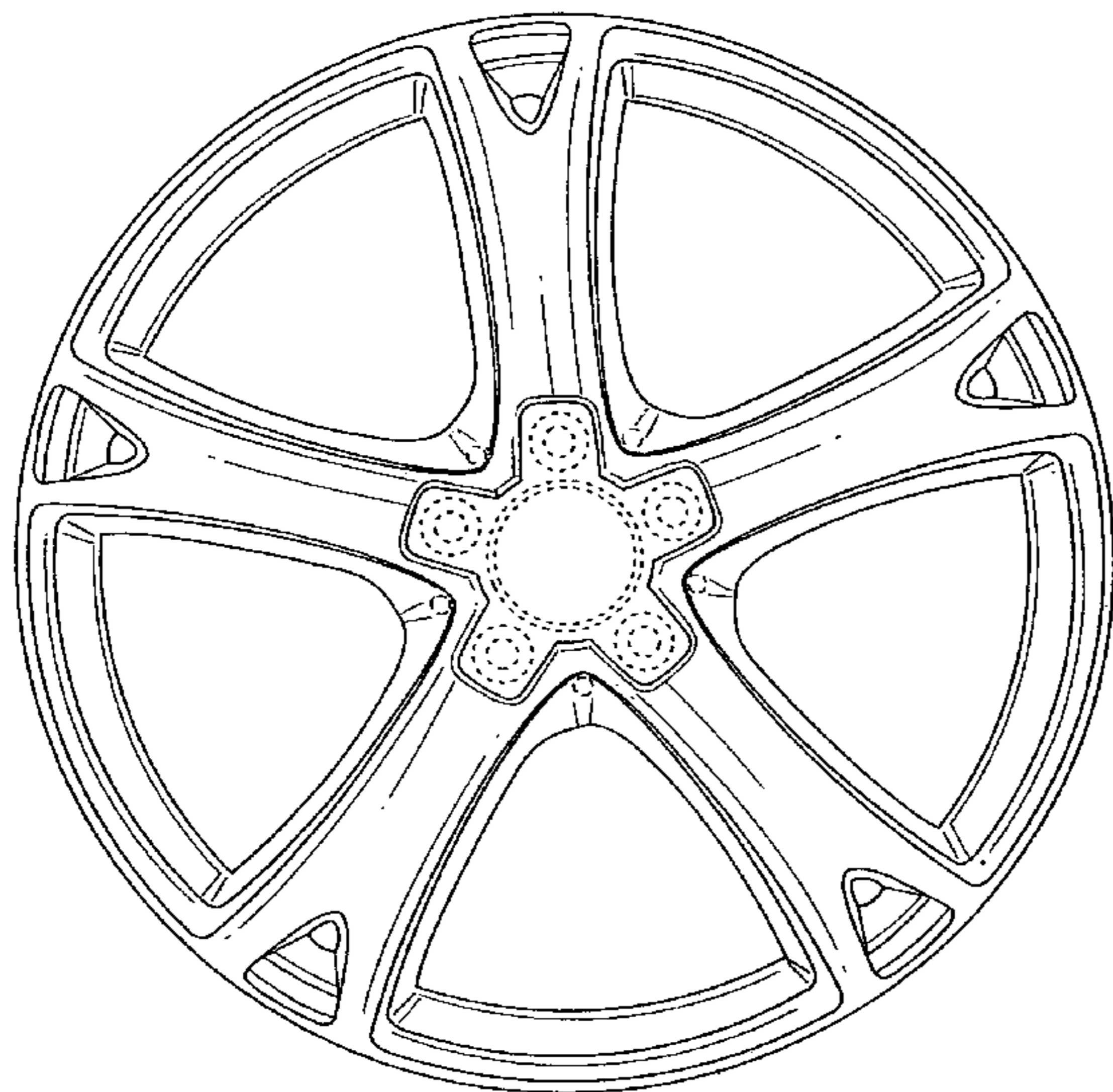
FIG. 2 is a perspective view thereof.

FIG. 3 is a front view of a second embodiment of the front face of a vehicle wheel according to my novel design; and,

FIG. 4 is a perspective view thereof.

The broken lines are for illustrative purposes only and form no part of the claimed design.

1 Claim, 2 Drawing Sheets



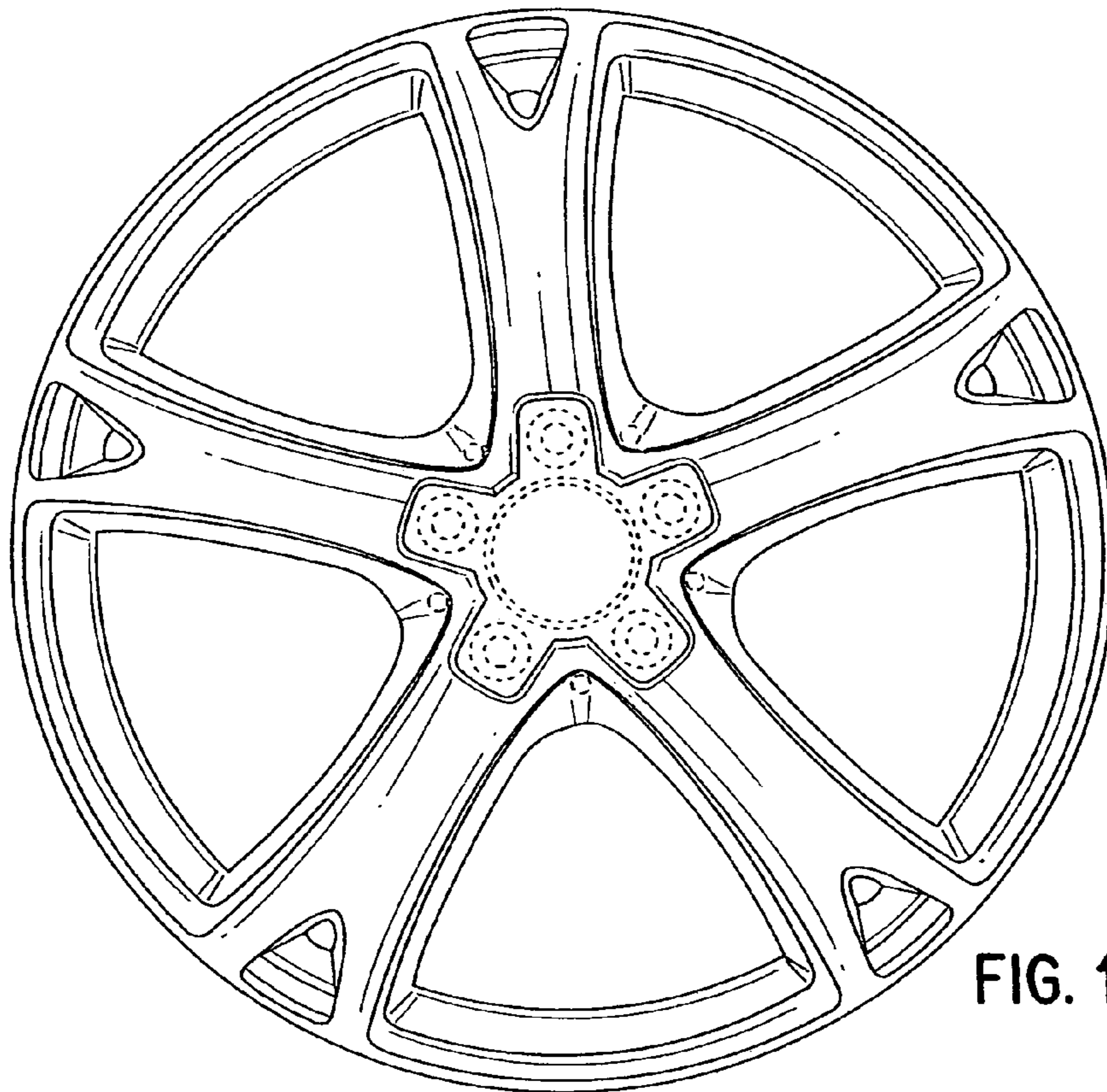


FIG. 1

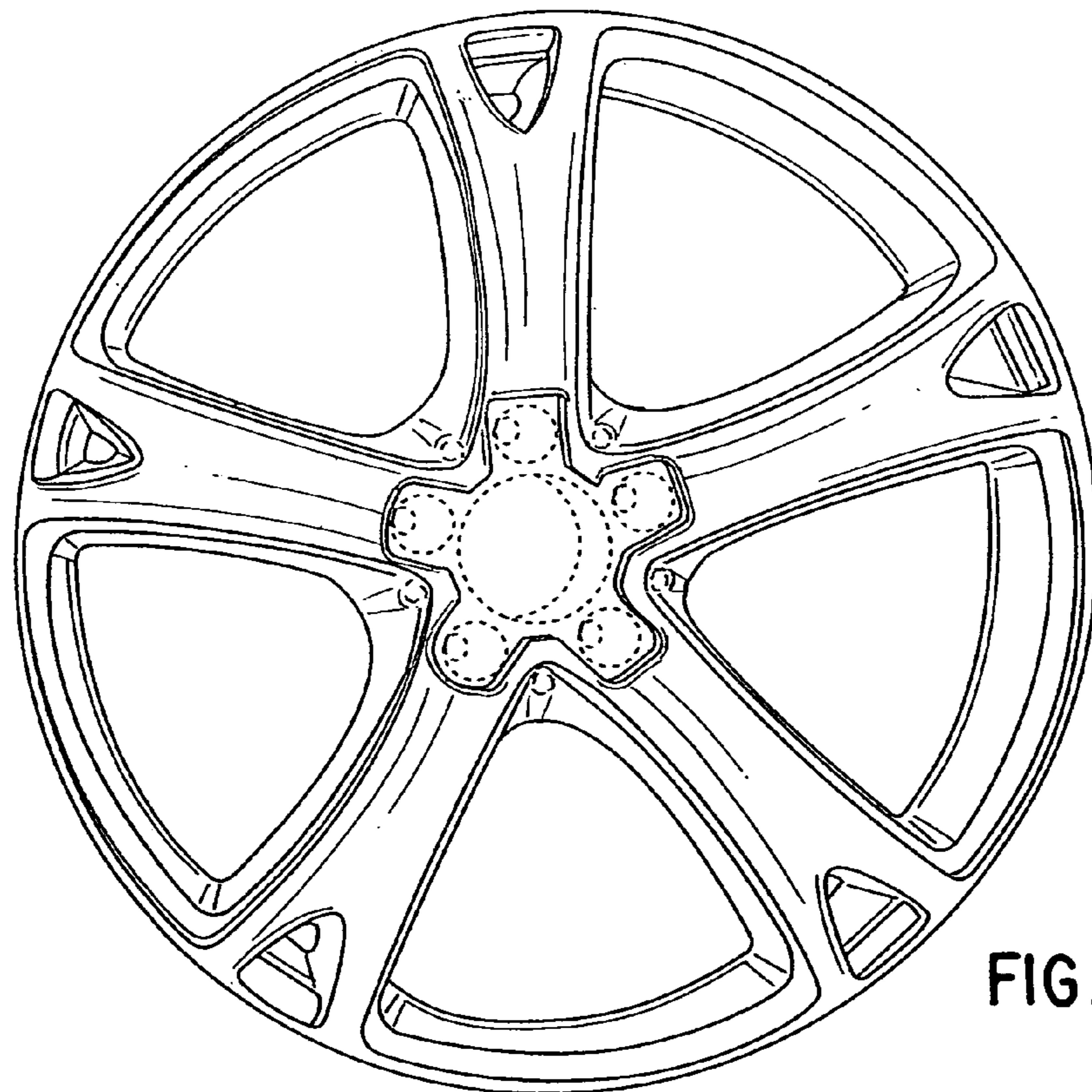


FIG. 2

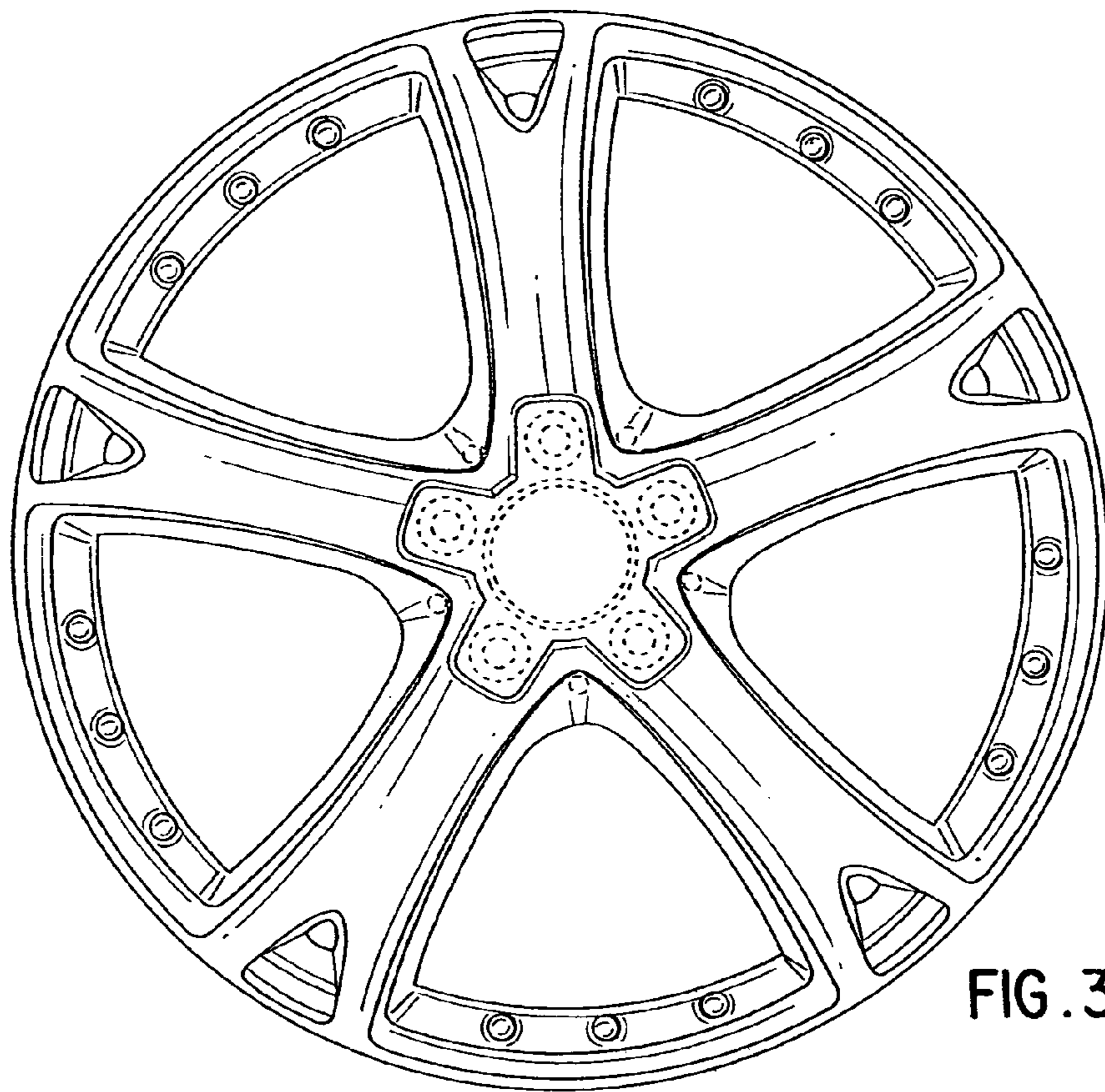


FIG. 3

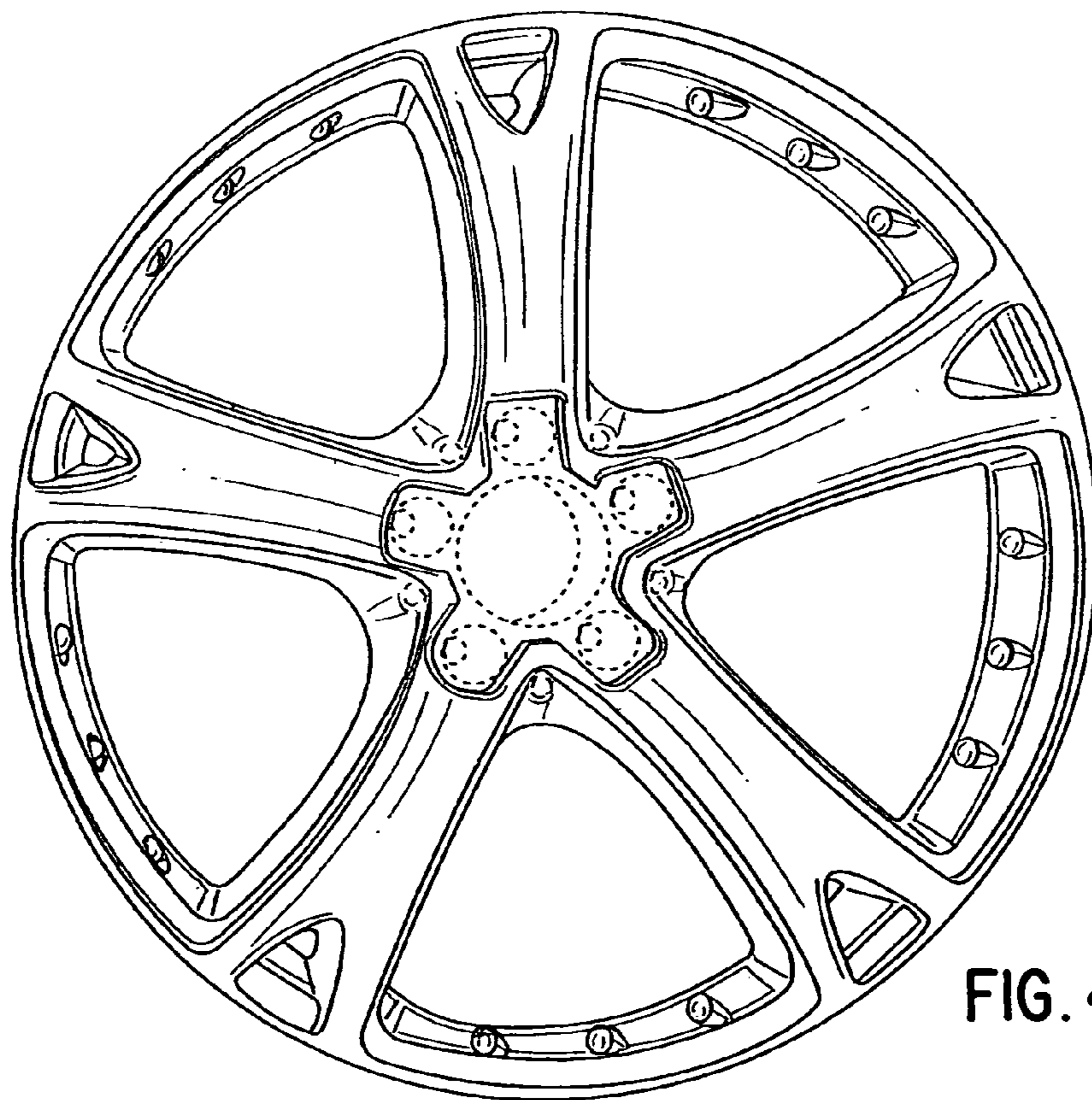


FIG. 4