



US00D572650S

(12) **United States Design Patent**
Scheu

(10) **Patent No.:** **US D572,650 S**

(45) **Date of Patent:** **** Jul. 8, 2008**

(54) **FRONT FACE OF A VEHICLE WHEEL**

(75) Inventor: **Armin Scheu**, Stuttgart (DE)

(73) Assignee: **Daimler AG**, Stuttgart (DE)

(**) Term: **14 Years**

(21) Appl. No.: **29/290,690**

(22) Filed: **Jan. 3, 2008**

(30) **Foreign Application Priority Data**

Jul. 4, 2007 (EM) 000751706-0001

(51) **LOC (8) Cl.** **12-16**

(52) **U.S. Cl.** **D12/211**

(58) **Field of Classification Search** D12/204-213;
301/37.101, 64.101, 65, 64.201

See application file for complete search history.

(56) **References Cited**

U.S. PATENT DOCUMENTS

| | | | |
|--------------|---------|---------------------|---------|
| D432,479 S * | 10/2000 | Lee et al. | D12/209 |
| D462,643 S * | 9/2002 | Murkett et al. | D12/211 |
| D466,067 S * | 11/2002 | Muzzarelli | D12/211 |
| D470,093 S * | 2/2003 | Frizzi | D12/209 |
| D481,664 S * | 11/2003 | Vian | D12/211 |
| D486,110 S * | 2/2004 | Elmitt | D12/211 |

| | | | |
|--------------|---------|-----------------------|---------|
| D496,623 S * | 9/2004 | Elmitt | D12/211 |
| D532,740 S * | 11/2006 | Ettensberger | D12/211 |
| D535,934 S * | 1/2007 | Scheu | D12/211 |
| D538,215 S * | 3/2007 | Laengerer et al. | D12/209 |
| D542,729 S * | 5/2007 | Hieke | D12/211 |
| D550,140 S * | 9/2007 | Laengerer | D12/211 |
| D553,067 S * | 10/2007 | Muzzarelli | D12/211 |

* cited by examiner

Primary Examiner—Stacia Cadmus

(74) *Attorney, Agent, or Firm*—Crowell & Moring LLP

(57) **CLAIM**

The ornamental design for a front face of a vehicle wheel, as shown and described.

DESCRIPTION

FIG. 1 is a front view of a first embodiment of a front face of a vehicle wheel according to my novel design; and

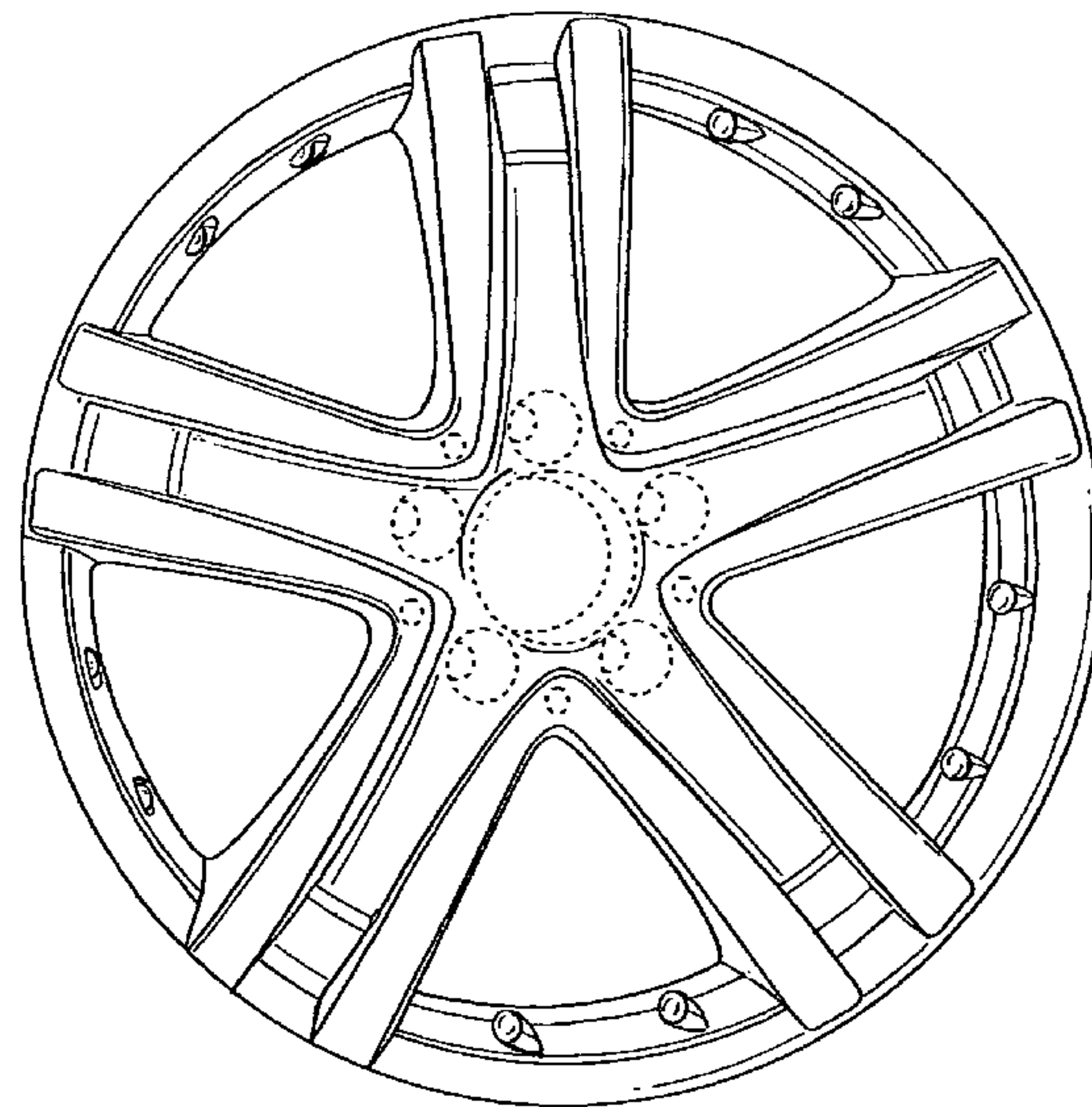
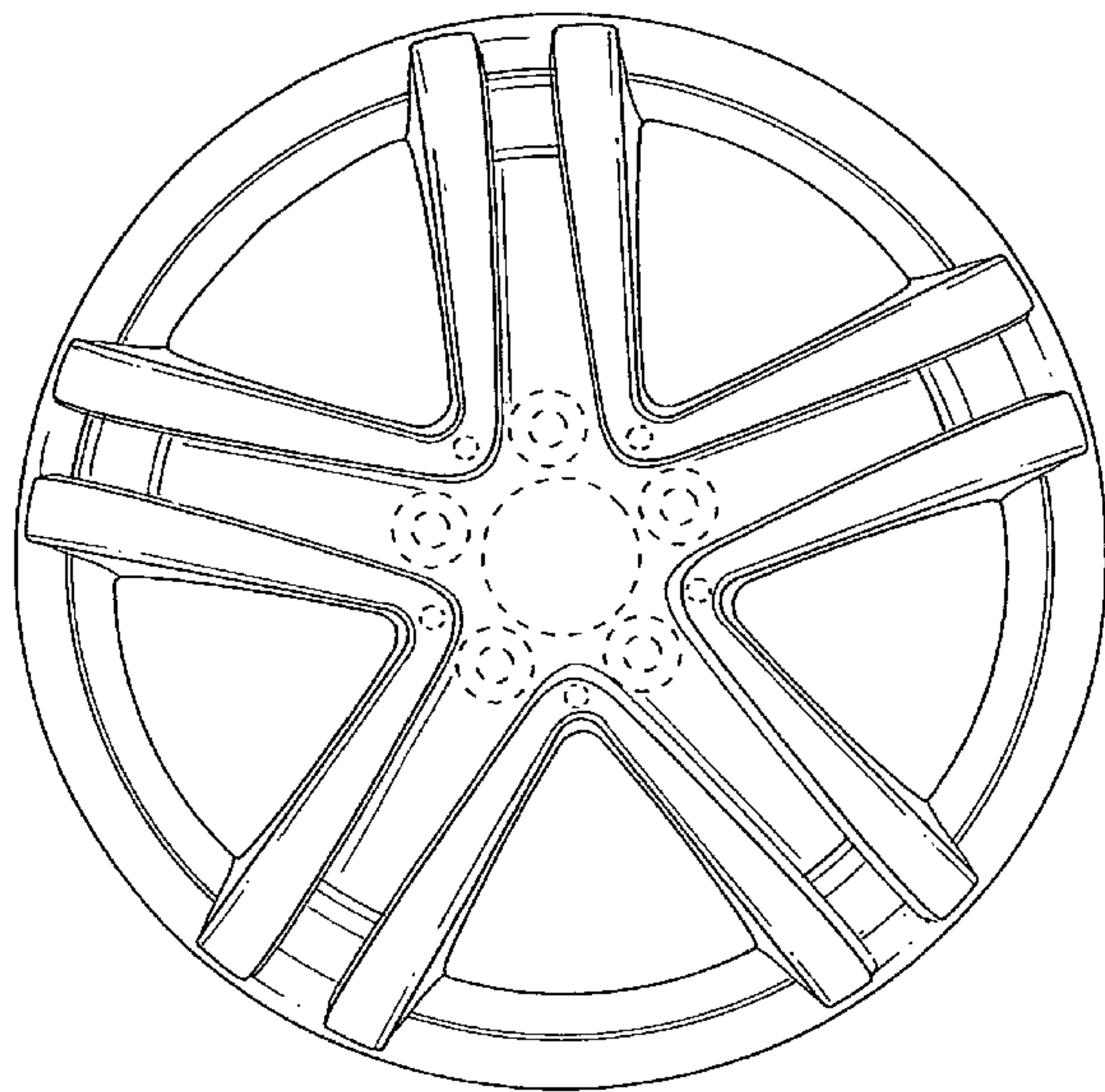
FIG. 2 is a perspective view thereof.

FIG. 3 is a front view of a second embodiment of the front face of a vehicle wheel according to my novel design; and,

FIG. 4 is a perspective view thereof.

The broken lines are for illustrative purposes only and form no part of the claimed design.

1 Claim, 2 Drawing Sheets



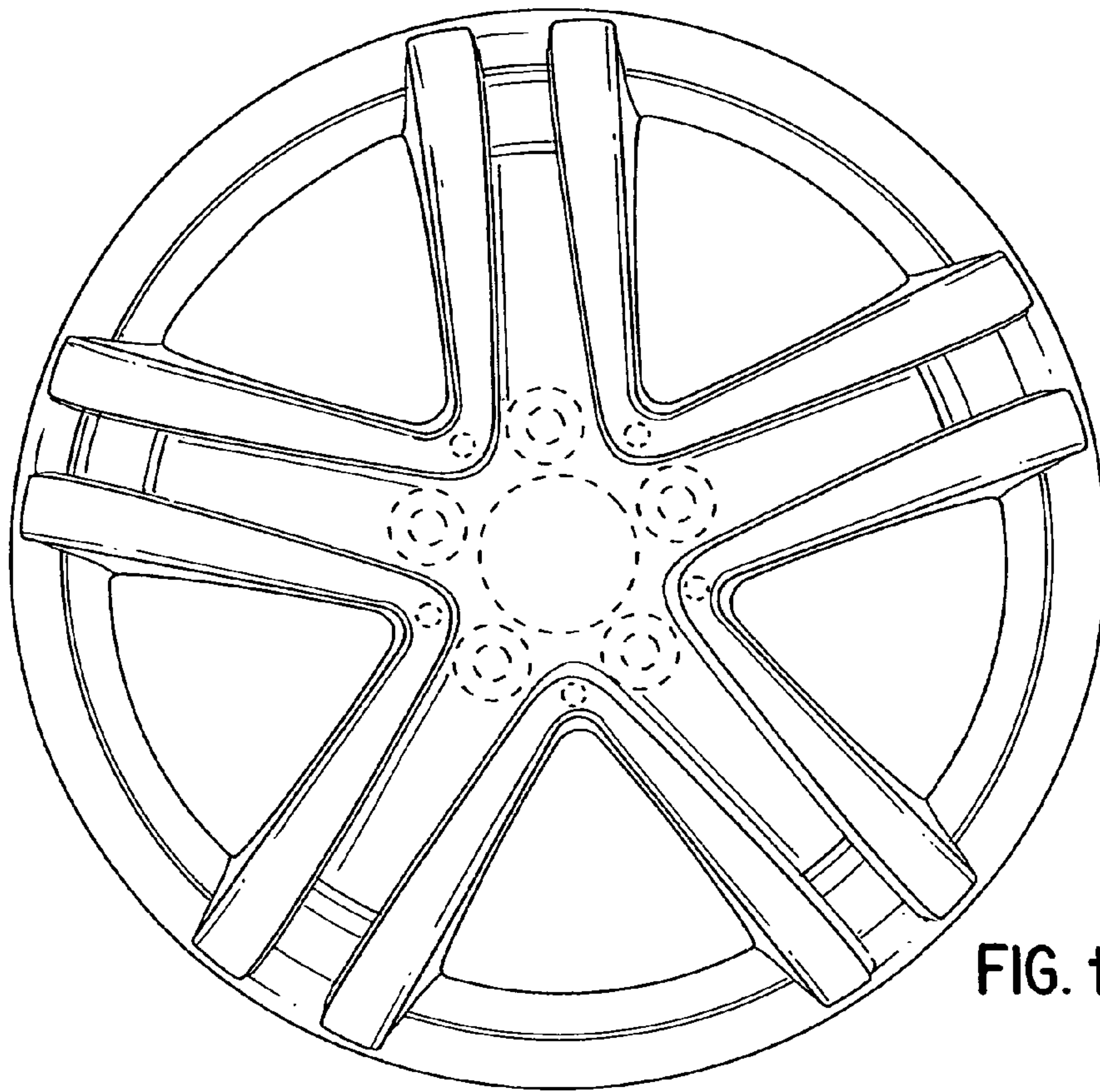


FIG. 1

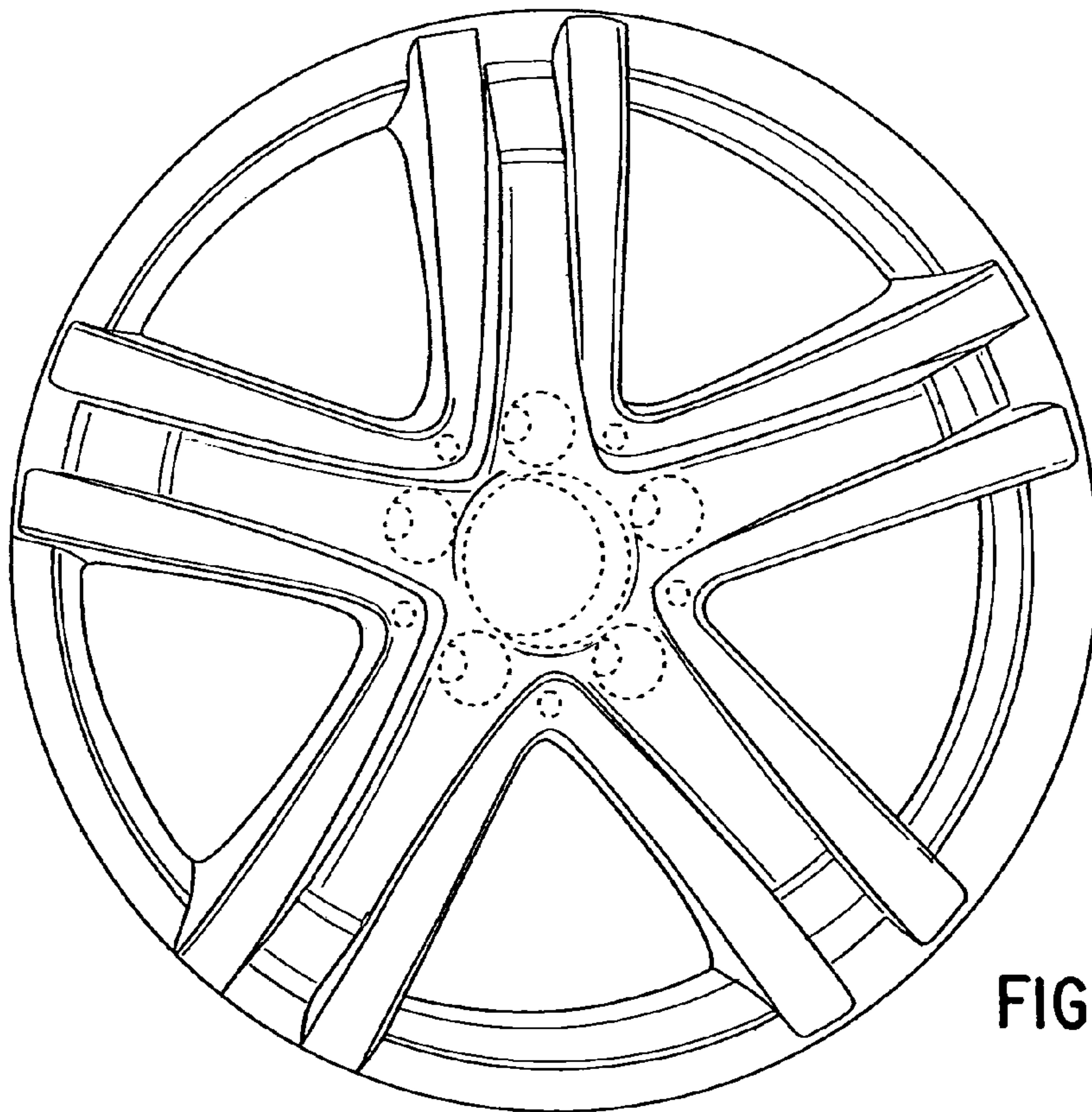


FIG. 2

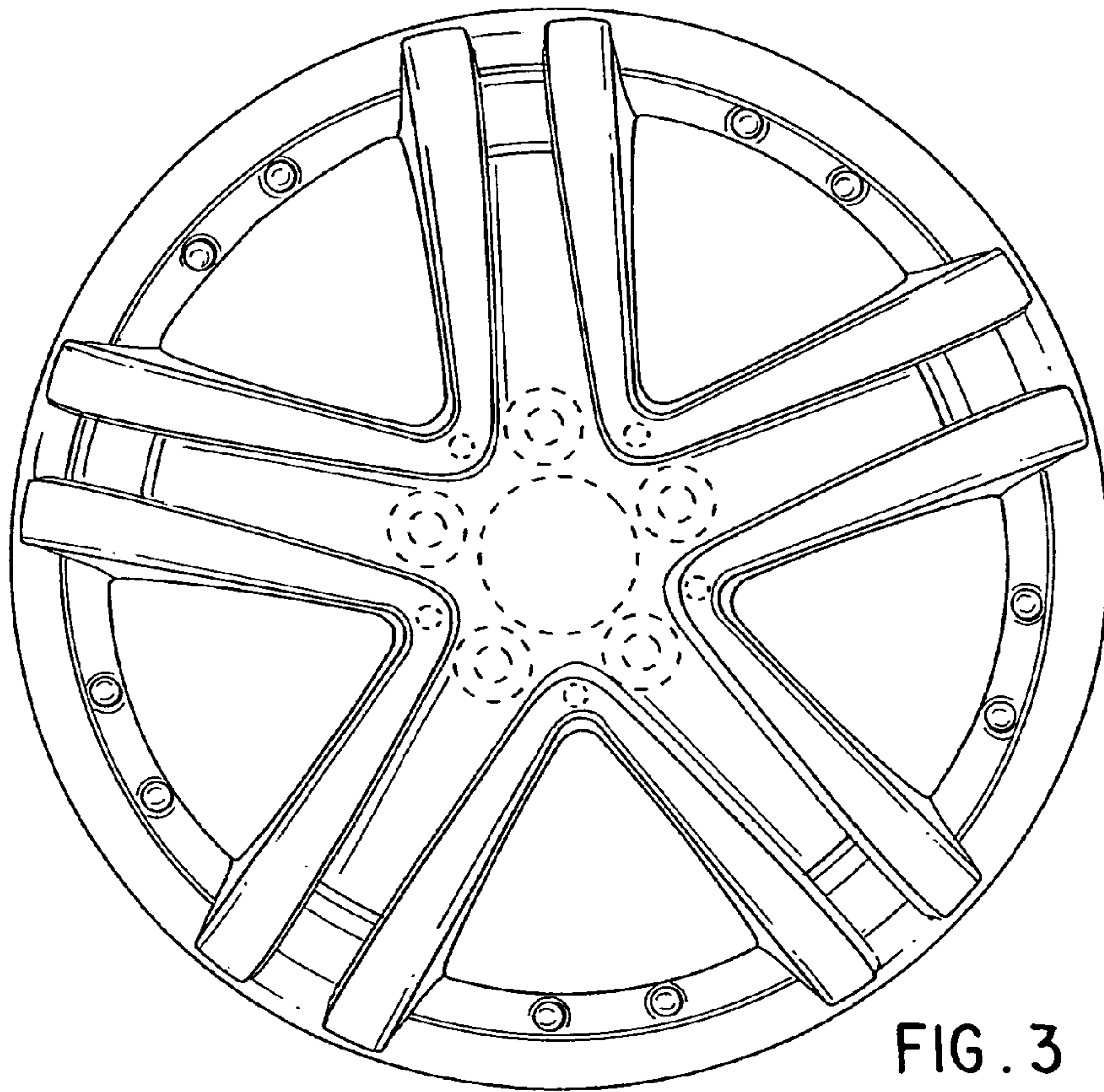


FIG. 3

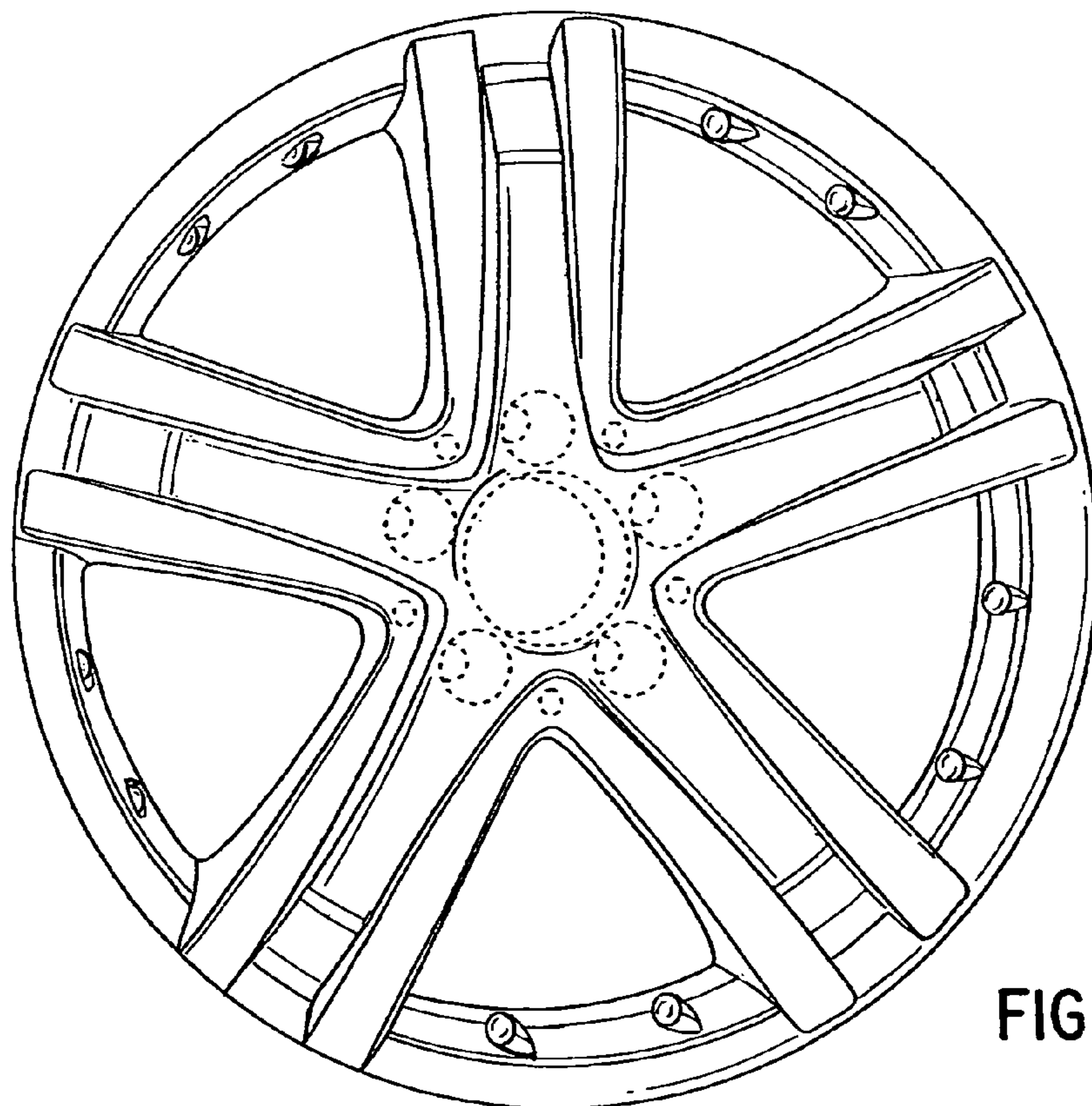


FIG. 4