



US00D572649S

(12) **United States Design Patent**
Laengerer

(10) **Patent No.:** **US D572,649 S**
(45) **Date of Patent:** **** Jul. 8, 2008**

(54) **FRONT FACE OF A VEHICLE WHEEL**

(75) Inventor: **Marcus Laengerer**, Renningen (DE)

(73) Assignee: **Daimler AG**, Stuttgart (DE)

(**) Term: **14 Years**

(21) Appl. No.: **29/290,685**

(22) Filed: **Jan. 3, 2008**

(30) **Foreign Application Priority Data**

Jul. 4, 2007 (EM) 000751730-0002

(51) **LOC (8) Cl.** **12-16**

(52) **U.S. Cl.** **D12/211**

(58) **Field of Classification Search** D12/204-213;
301/37.101, 64.101, 65, 64.201

See application file for complete search history.

(56) **References Cited**

U.S. PATENT DOCUMENTS

D436,339 S *	1/2001	Fitzgerald	D12/209
D465,758 S *	11/2002	Plessing	D12/211
D466,853 S *	12/2002	Maifrini	D12/211
D468,678 S *	1/2003	Oh	D12/209
D490,040 S *	5/2004	Foose	D12/211
D509,175 S *	9/2005	Marji	D12/209
D515,491 S *	2/2006	Elmitt	D12/209

D518,764 S *	4/2006	Looho	D12/209
D527,334 S *	8/2006	Hettler	D12/211
D527,700 S *	9/2006	Guevara	D12/211
D528,956 S *	9/2006	Kim	D12/209
D532,738 S *	11/2006	Ettensberger	D12/211
D532,740 S *	11/2006	Ettensberger	D12/211
D542,729 S *	5/2007	Hieke	D12/211
D551,147 S *	9/2007	Guevara	D12/209

* cited by examiner

Primary Examiner—Stacia Cadmus

(74) *Attorney, Agent, or Firm*—Crowell & Moring LLP

(57) **CLAIM**

The ornamental design for a front face of a vehicle wheel, as shown and described.

DESCRIPTION

FIG. 1 is a front view of a first embodiment of a front face of a vehicle wheel according to my novel design; and

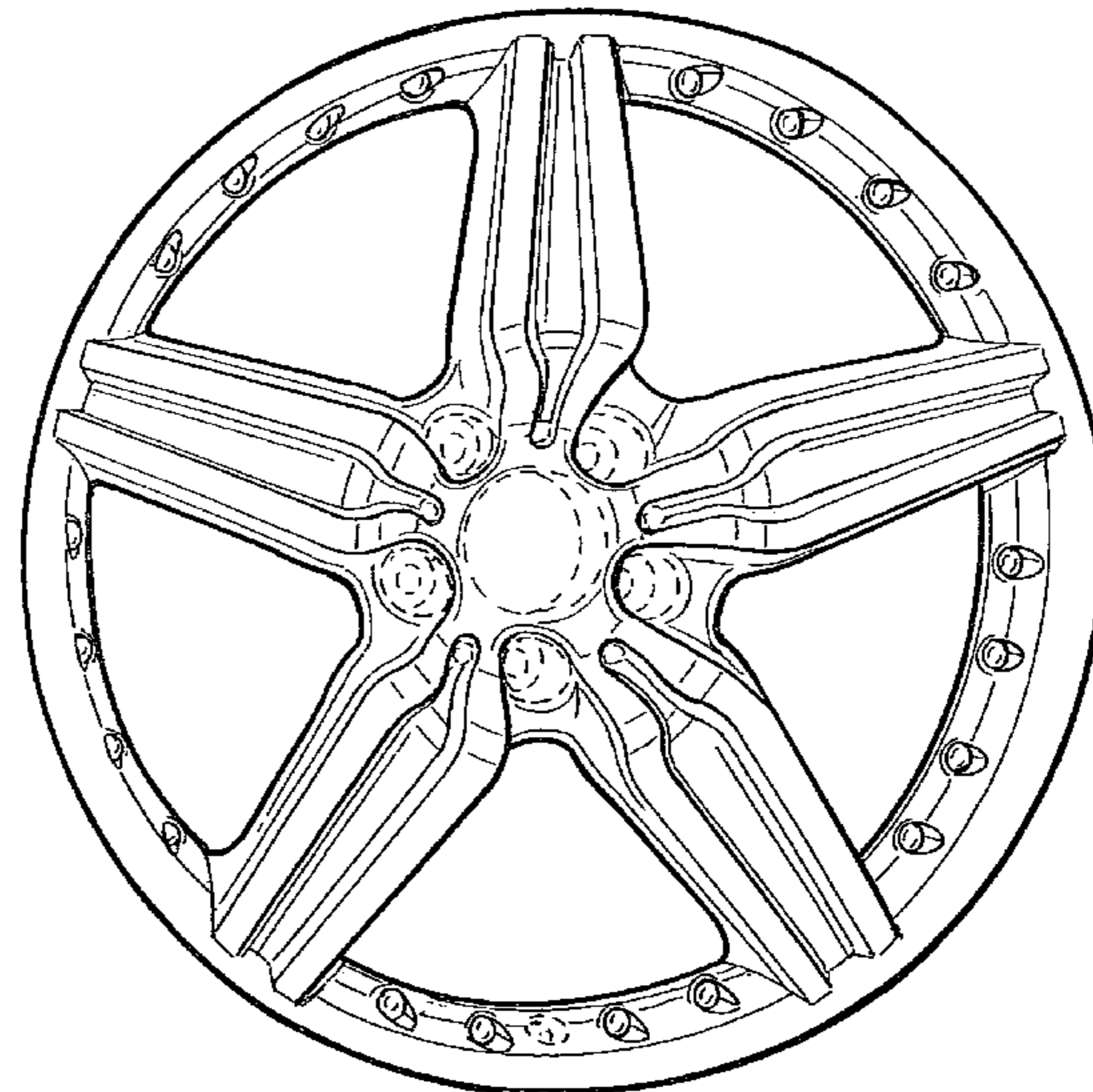
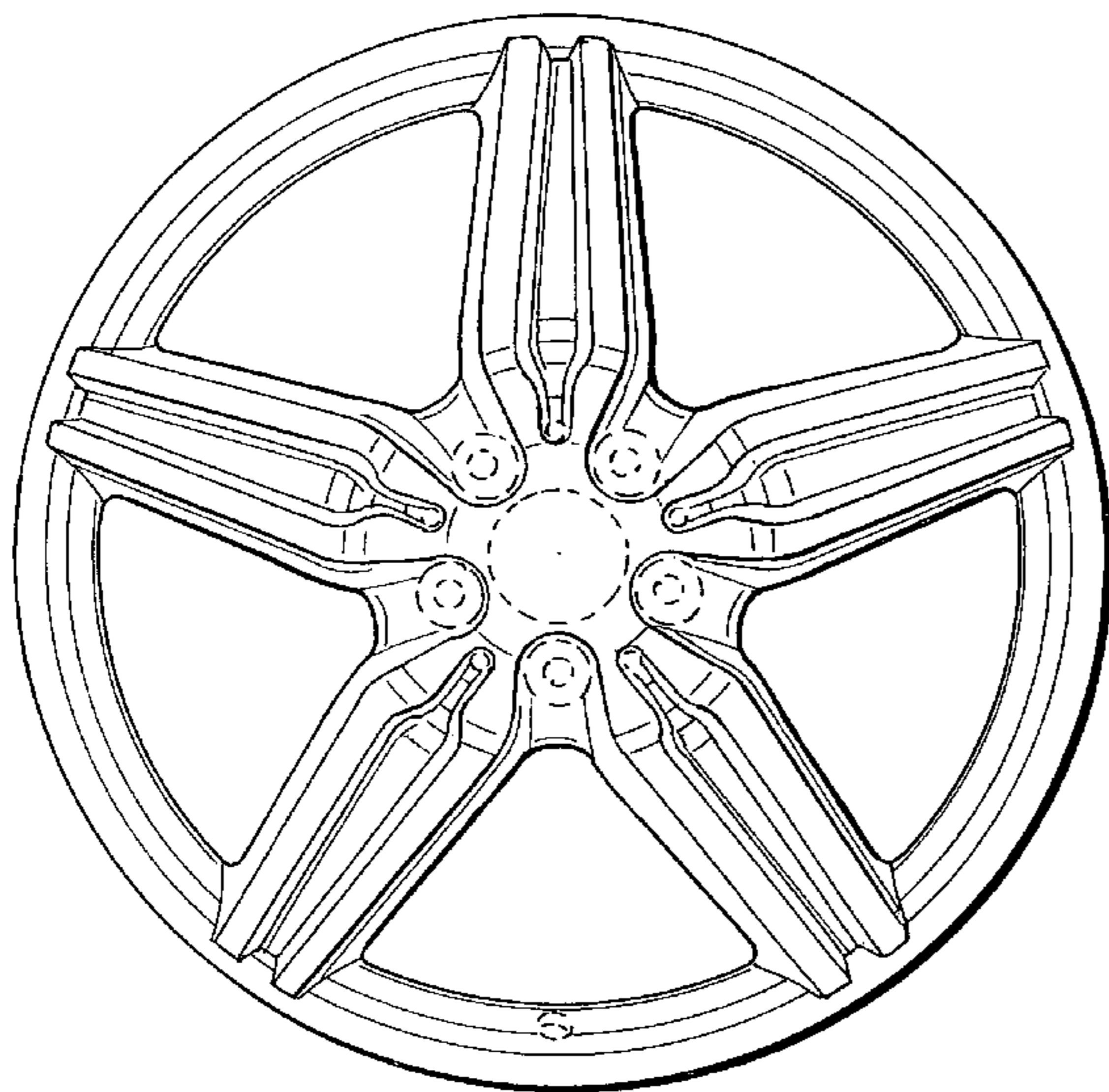
FIG. 2 is a perspective view thereof.

FIG. 3 is a front view of a second embodiment of the front face of a vehicle wheel according to my novel design; and,

FIG. 4 is a perspective view thereof.

The broken lines are for illustrative purposes only and form no part of the claimed design.

1 Claim, 2 Drawing Sheets



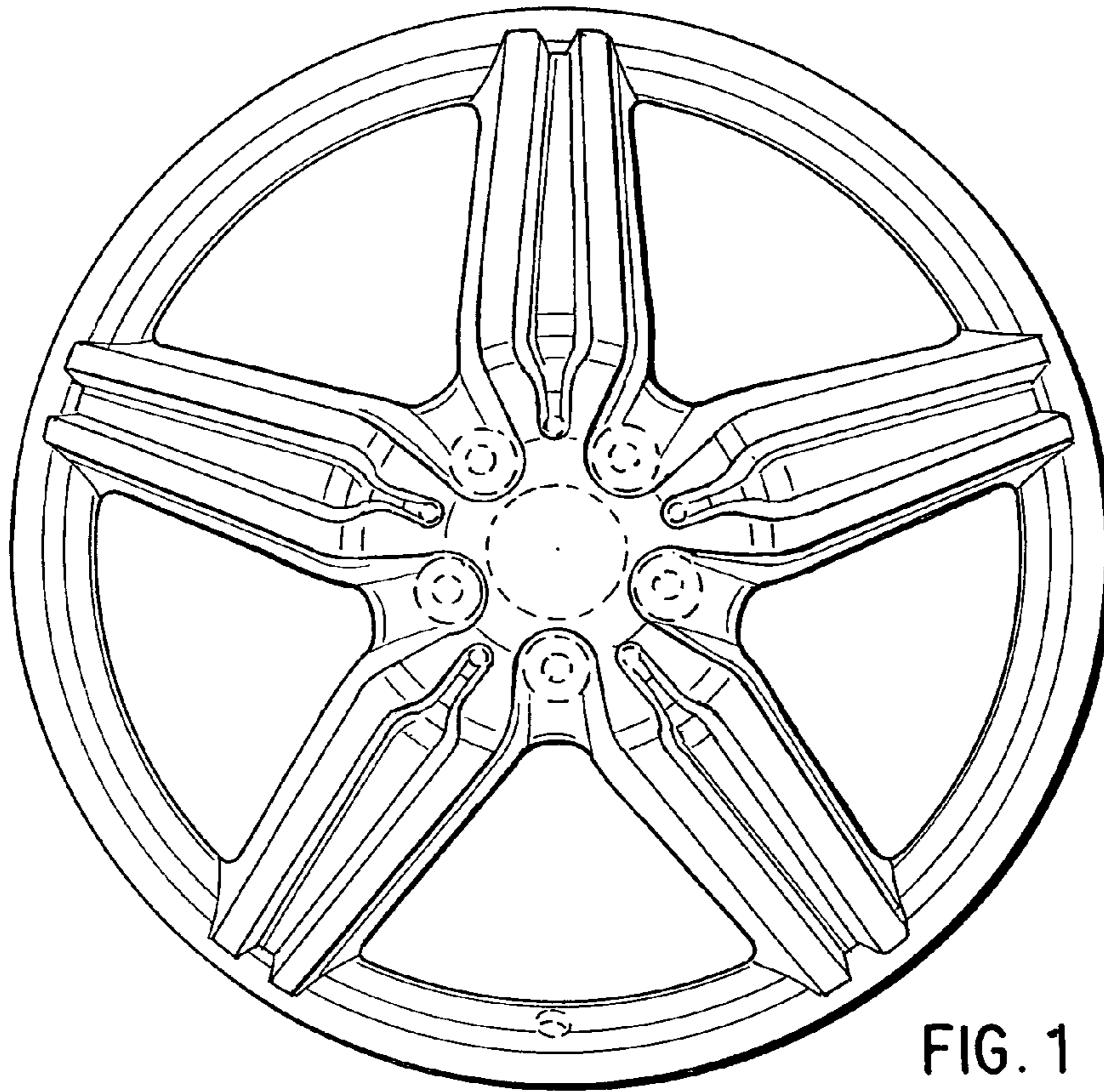


FIG. 1

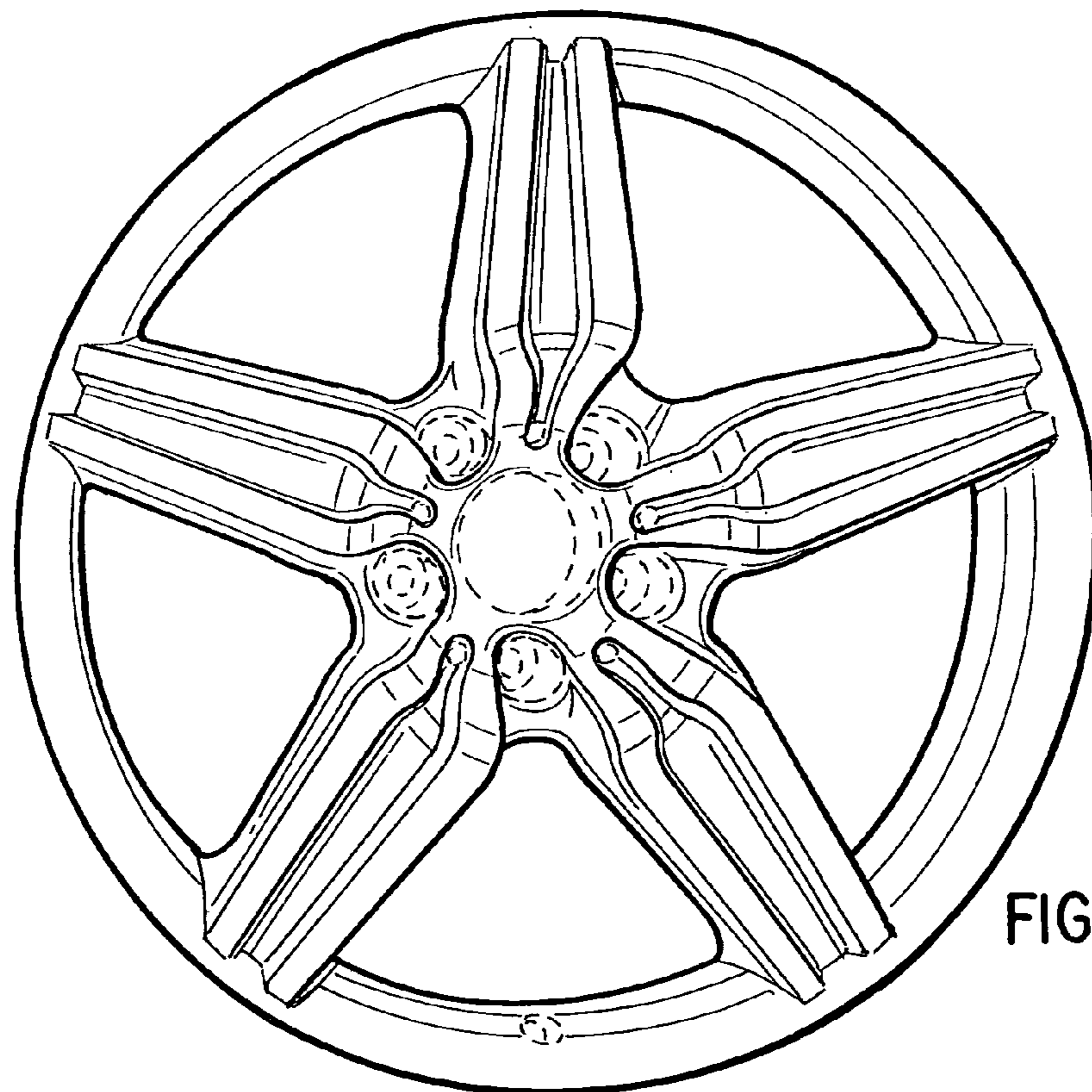


FIG. 2

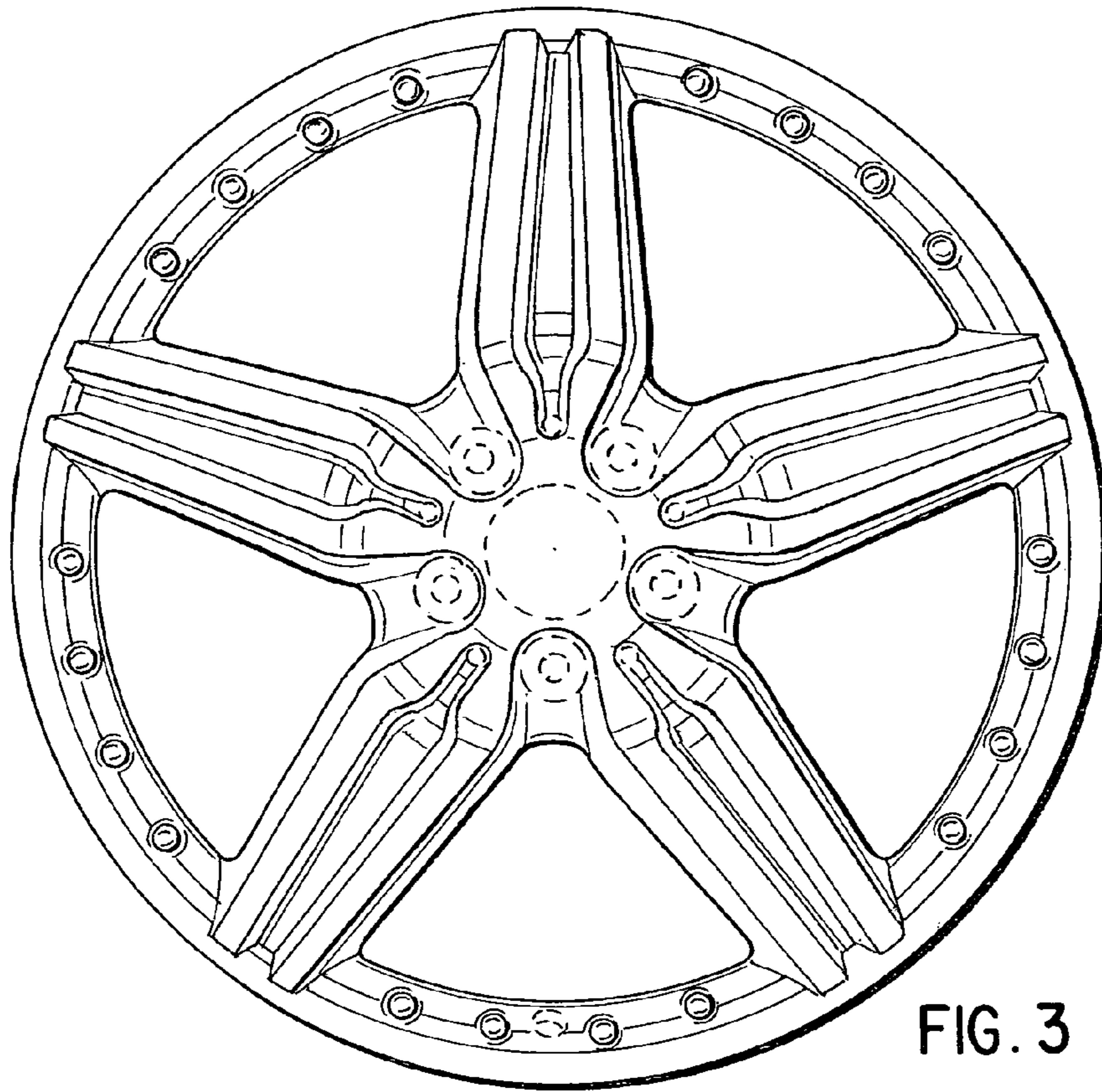


FIG. 3

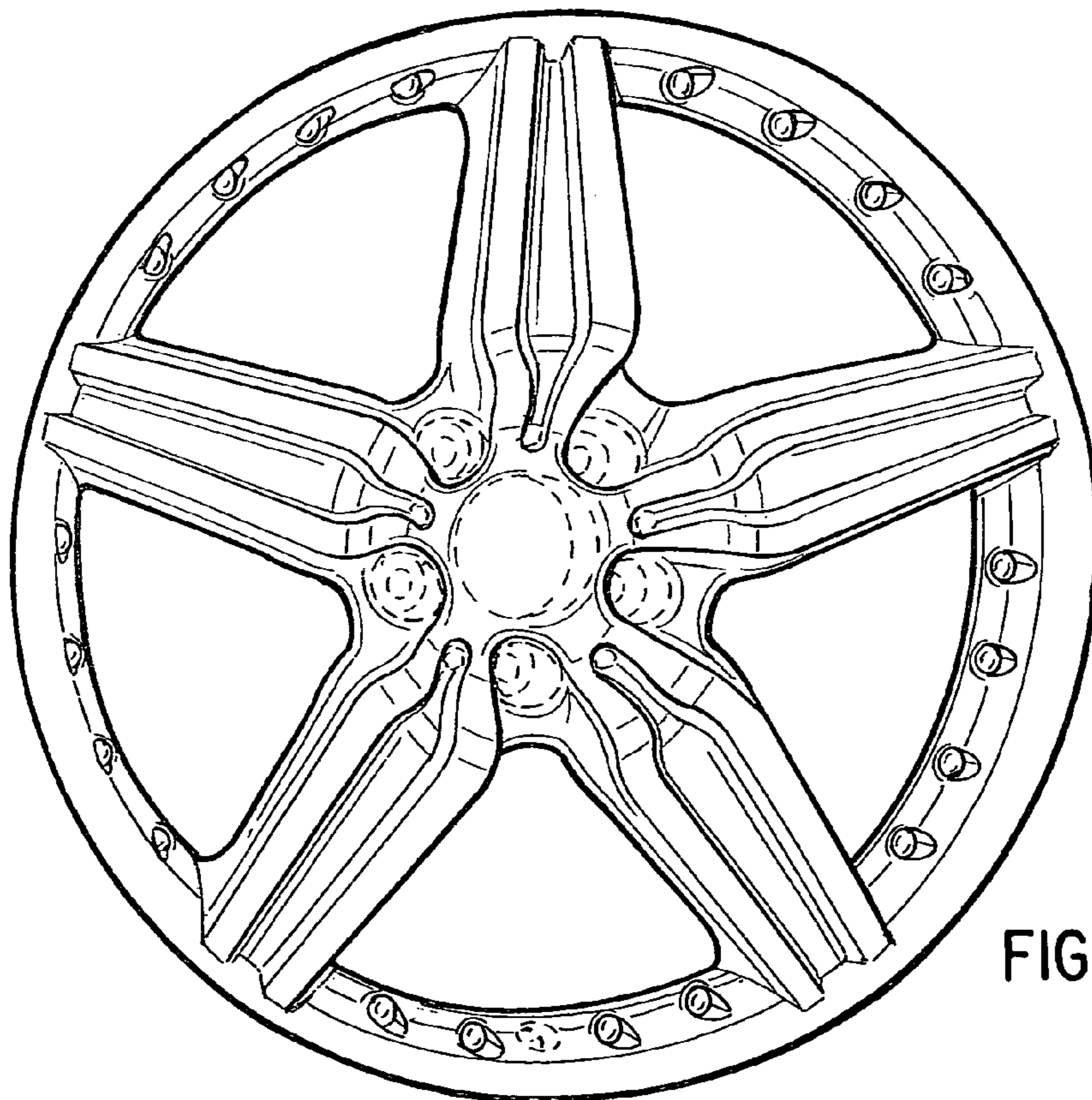


FIG. 4