



US00D572646S

(12) **United States Design Patent**  
**Hieke**

(10) **Patent No.:** **US D572,646 S**

(45) **Date of Patent:** **\*\* Jul. 8, 2008**

(54) **FRONT FACE OF A VEHICLE WHEEL**

(75) Inventor: **Claus Hieke**, Sindelfingen (DE)

(73) Assignee: **Daimler AG**, Stuttgart (DE)

(\*\*) Term: **14 Years**

(21) Appl. No.: **29/287,583**

(22) Filed: **Aug. 24, 2007**

(30) **Foreign Application Priority Data**

Feb. 26, 2007 (EM) ..... 000677331-0001

(51) **LOC (8) Cl.** ..... **12-16**

(52) **U.S. Cl.** ..... **D12/209**

(58) **Field of Classification Search** ..... D12/204-213;  
301/37.101, 64.101, 65, 64.201

See application file for complete search history.

(56) **References Cited**

**U.S. PATENT DOCUMENTS**

- D460,941 S \* 7/2002 Muzzarelli ..... D12/211
- D522,947 S \* 6/2006 Hieke ..... D12/209
- D526,946 S \* 8/2006 Takechi ..... D12/209
- D530,258 S \* 10/2006 Schell ..... D12/211

- D535,242 S \* 1/2007 Lyew ..... D12/211
- D537,027 S \* 2/2007 Hieke ..... D12/211
- D542,729 S \* 5/2007 Hieke ..... D12/211
- D549,634 S \* 8/2007 Foose ..... D12/211
- D553,550 S \* 10/2007 Tirado ..... D12/211

\* cited by examiner

*Primary Examiner*—Stacia Cadmus

(74) *Attorney, Agent, or Firm*—Crowell & Moring LLP

(57) **CLAIM**

The ornamental design for a front face of a vehicle wheel, as shown and described.

**DESCRIPTION**

FIG. 1 is a front view of a first embodiment of a front face of a vehicle wheel according to my novel design; and

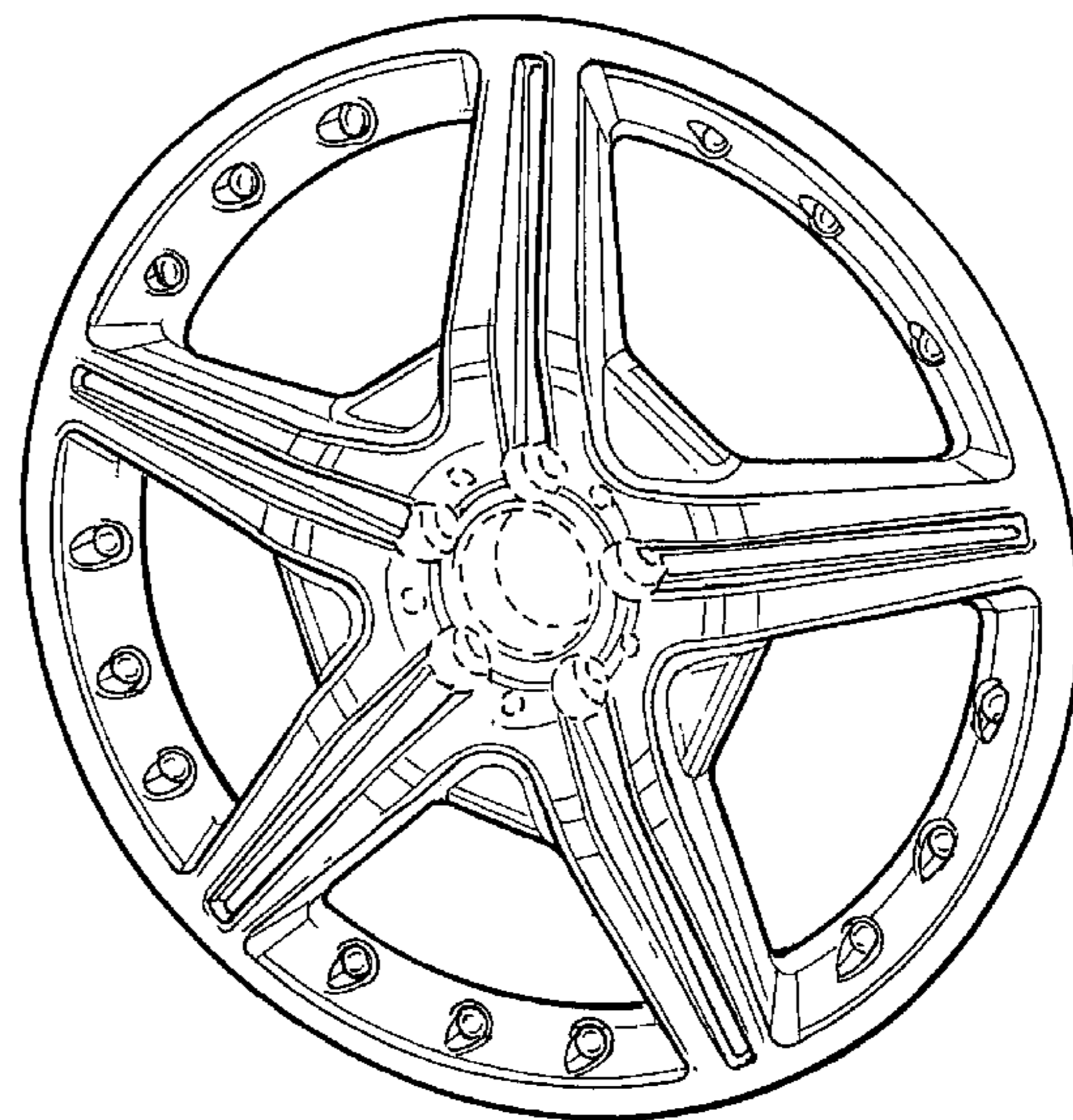
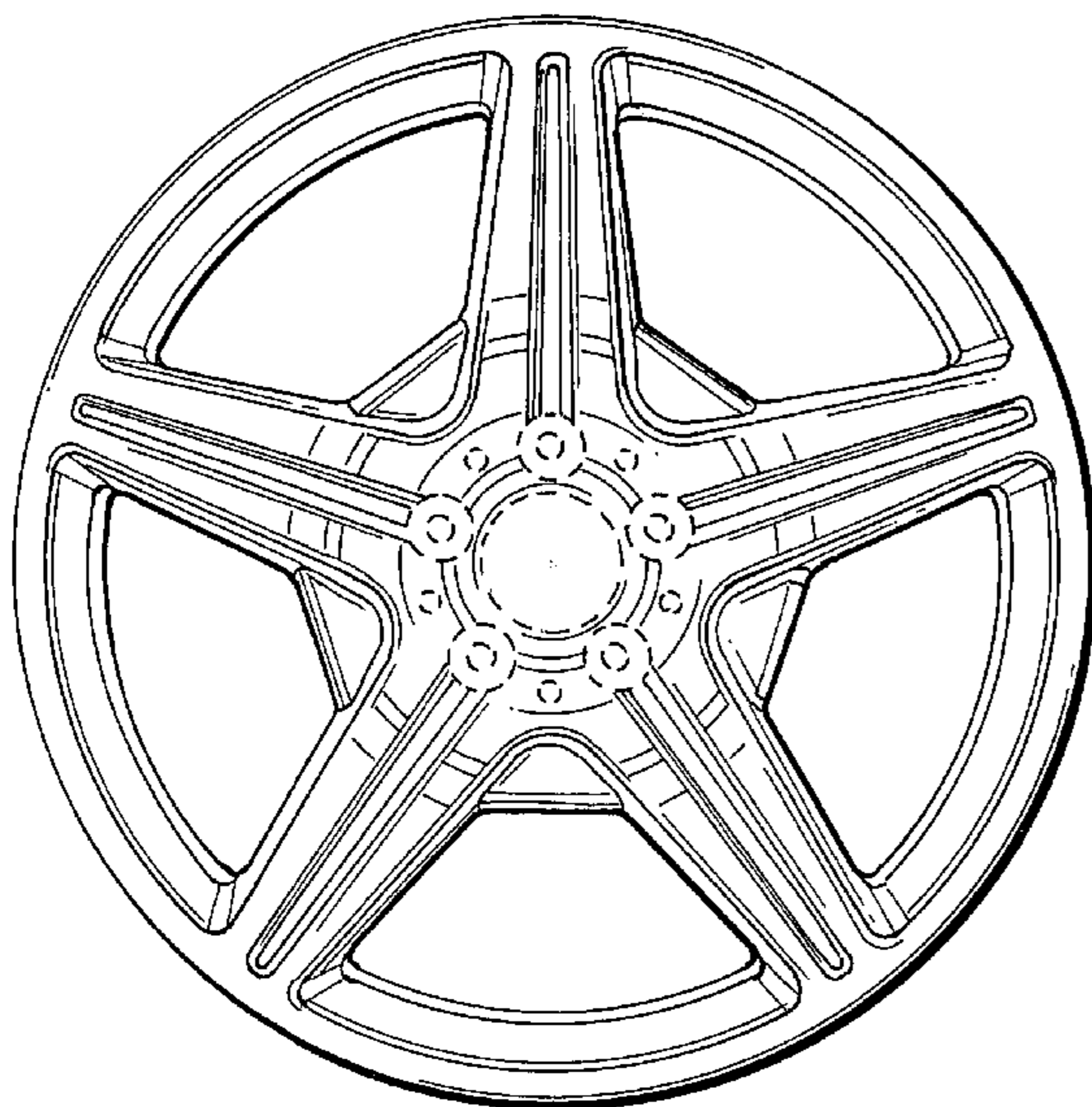
FIG. 2 is a perspective view thereof.

FIG. 3 is a front view of a second embodiment of the front face of a vehicle wheel according to my novel design; and,

FIG. 4 is a perspective view thereof.

The broken lines are for illustrative purposes only and form no part of the claimed design.

**1 Claim, 2 Drawing Sheets**



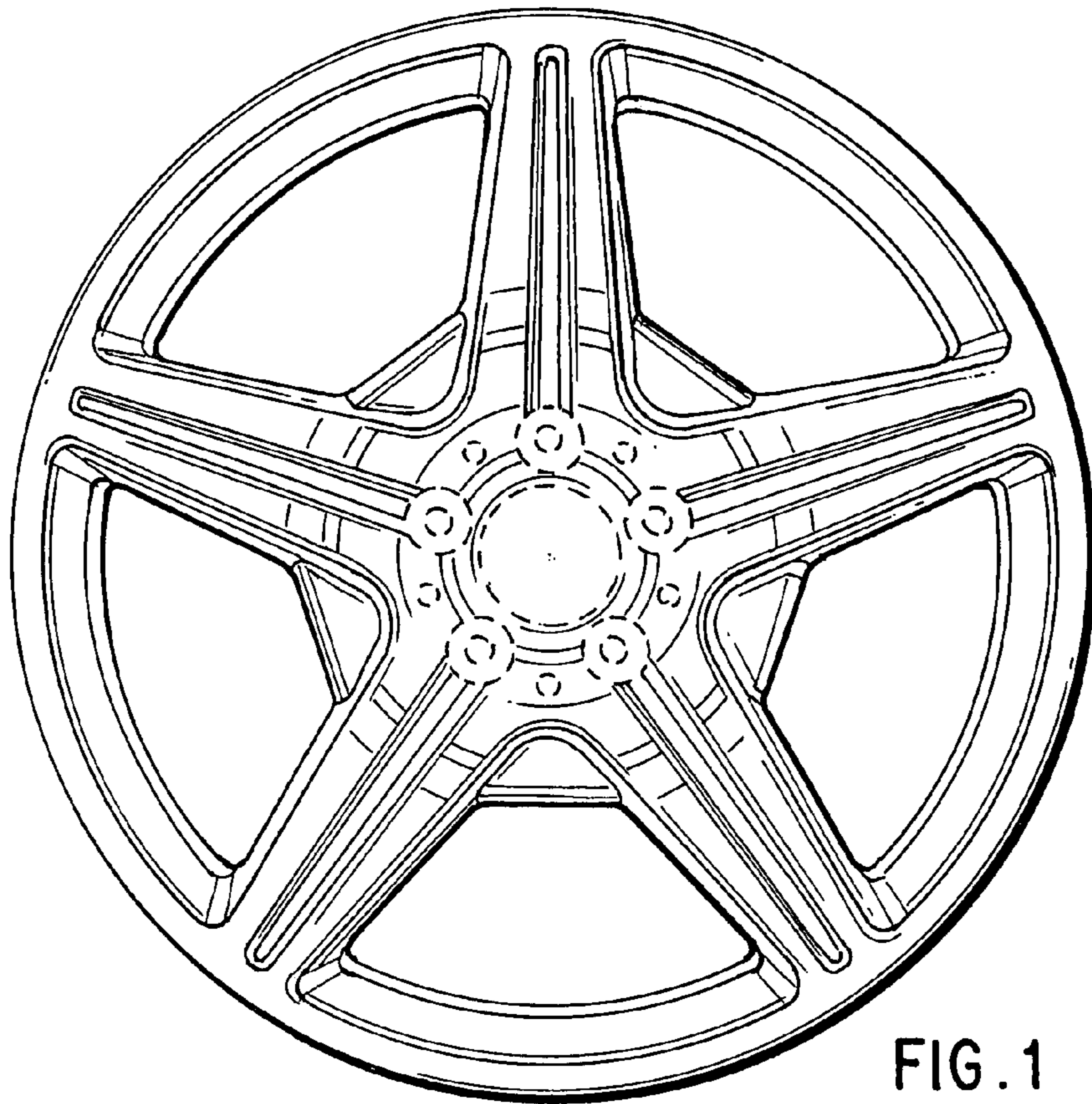


FIG. 1

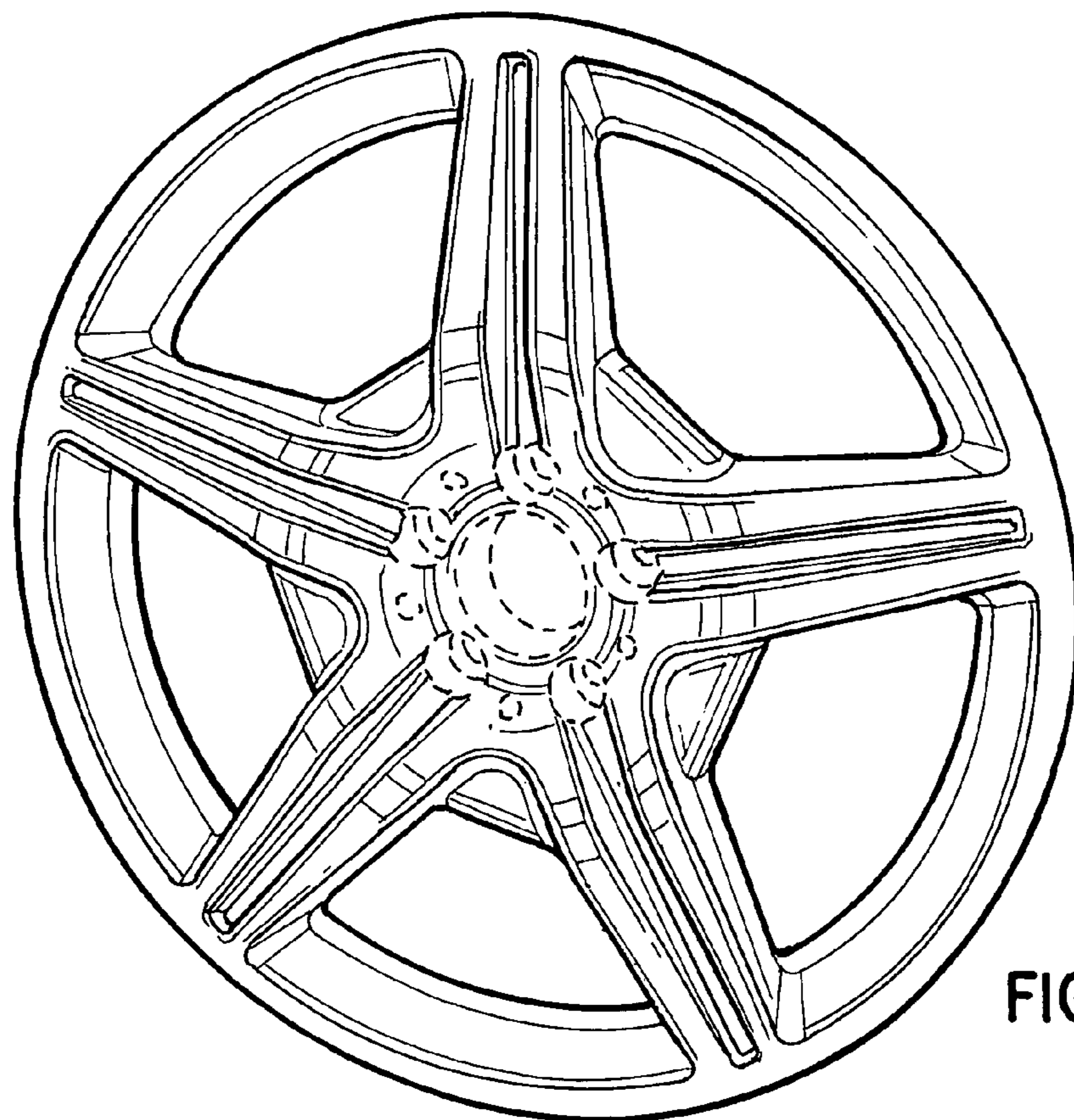


FIG. 2

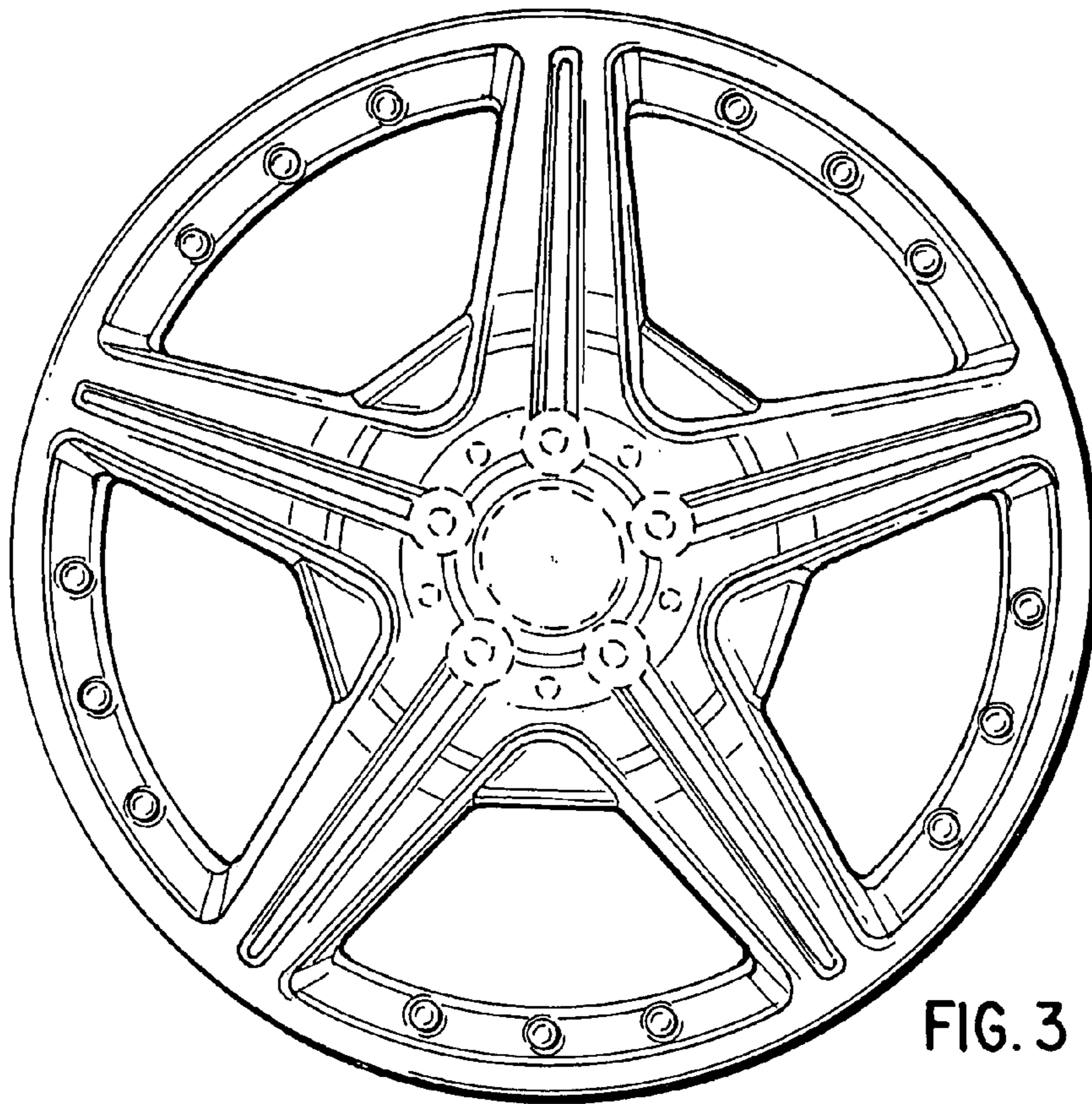


FIG. 3

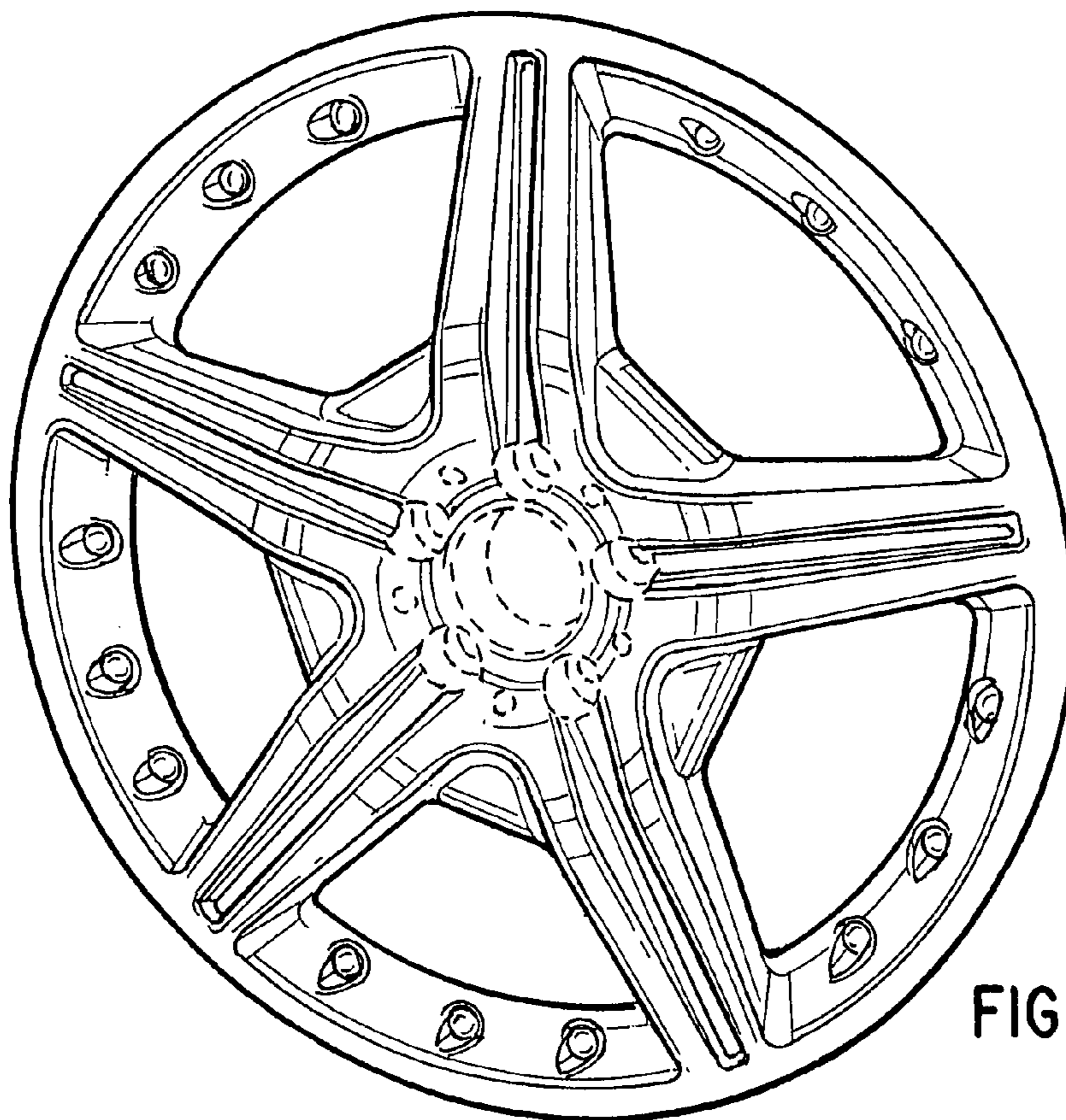


FIG. 4