

US00D572640S

(12) **United States Design Patent**
Zimmermann et al.

(10) **Patent No.:** **US D572,640 S**
(45) **Date of Patent:** **** Jul. 8, 2008**

(54) **VEHICLE HOOD**

D548,651 S * 8/2007 Chiang et al. D12/173

(75) Inventors: **Dan M. Zimmermann**, Bloomfield Township, MI (US); **Mark T. Allen**, Oxford, MI (US); **Dennis Myles**, West Bloomfield, MI (US)

* cited by examiner

Primary Examiner—Melody N Brown
(74) *Attorney, Agent, or Firm*—Ralph E. Smith

(73) Assignee: **Chrysler LLC**, Auburn Hills, MI (US)

(57) **CLAIM**

(**) Term: **14 Years**

The ornamental design for a vehicle hood, as shown and described.

(21) Appl. No.: **29/284,910**

DESCRIPTION

(22) Filed: **Sep. 18, 2007**

FIG. 1 is a front perspective view of a vehicle hood showing our new design;

Related U.S. Application Data

FIG. 2 is a rear perspective view thereof;

(63) Continuation-in-part of application No. 29/248,591, filed on Aug. 23, 2006, now Pat. No. Des. 551,124.

FIG. 3 is a front view thereof;

(51) **LOC (8) Cl.** **12-16**

FIG. 4 is a top plan view thereof;

(52) **U.S. Cl.** **D12/173**

FIG. 5 is a rear view thereof;

(58) **Field of Classification Search** D12/173, D12/196, 86, 90–92; 180/69.21, 69.2, 69.22
See application file for complete search history.

FIG. 6 is a side view, the opposite side being a mirror image thereof; and,

(56) **References Cited**

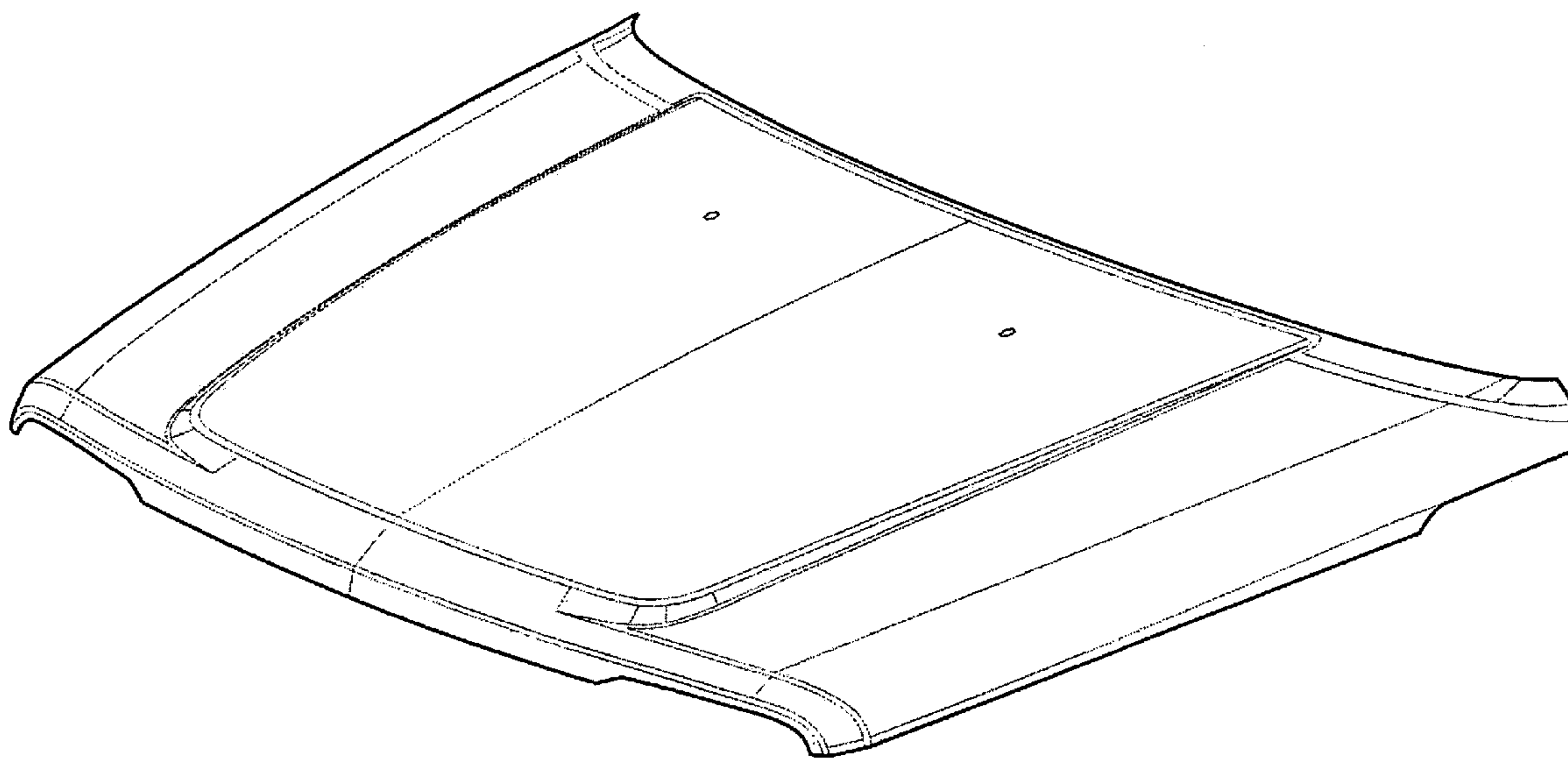
FIG. 7 is a bottom plan view thereof.

U.S. PATENT DOCUMENTS

It will be understood that the broken lines presented in the drawings are for illustration only, and do not form a part of the claimed design.

D522,939 S * 6/2006 Chiang D12/173

1 Claim, 7 Drawing Sheets



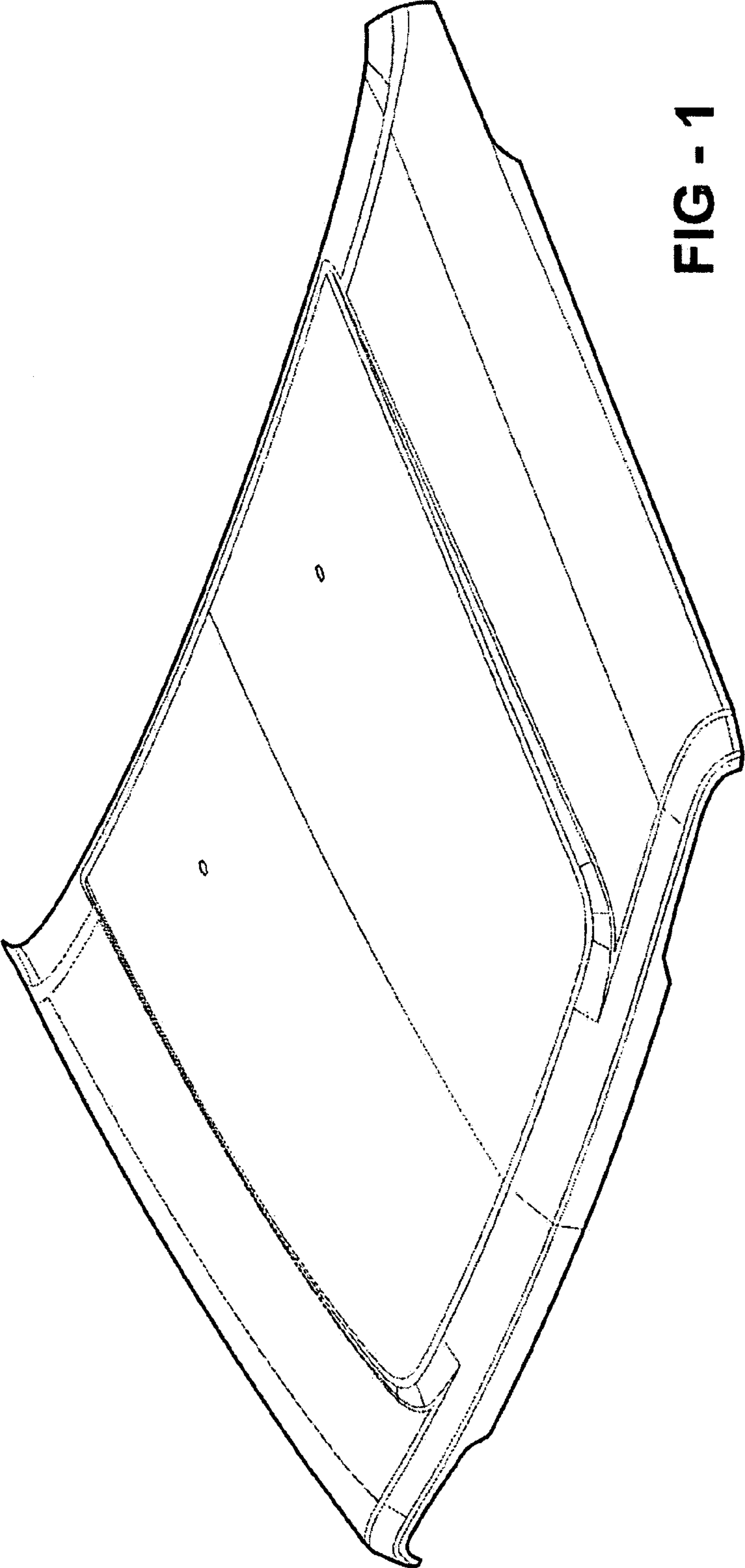


FIG - 1

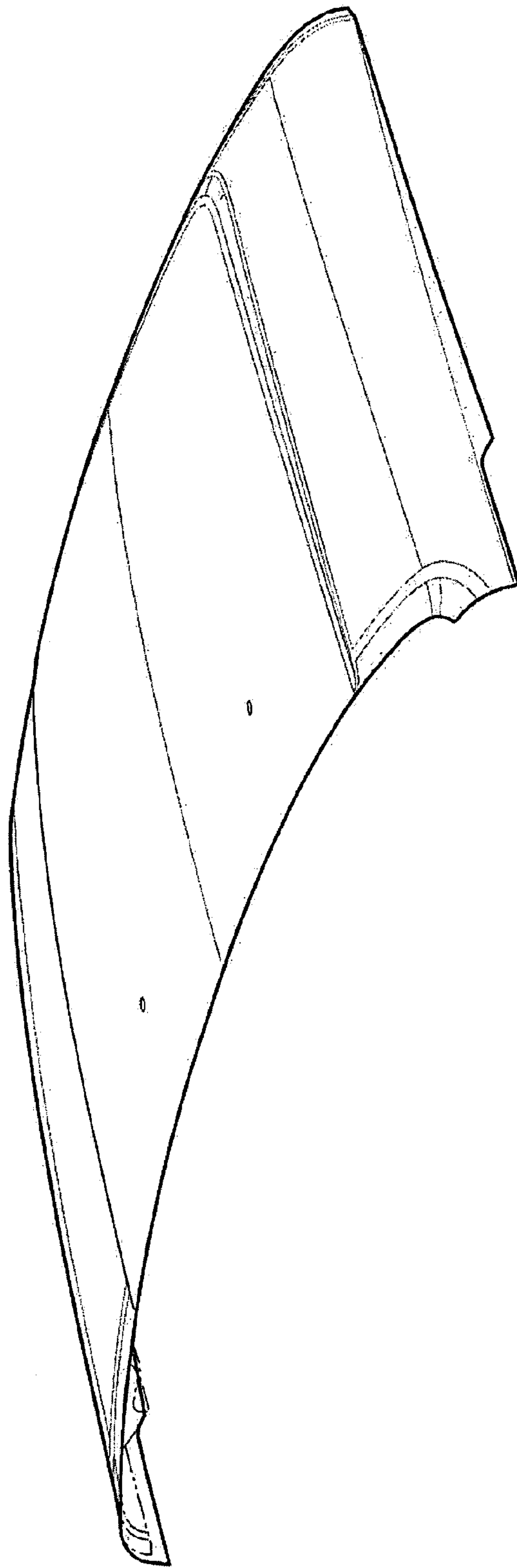


FIG - 2

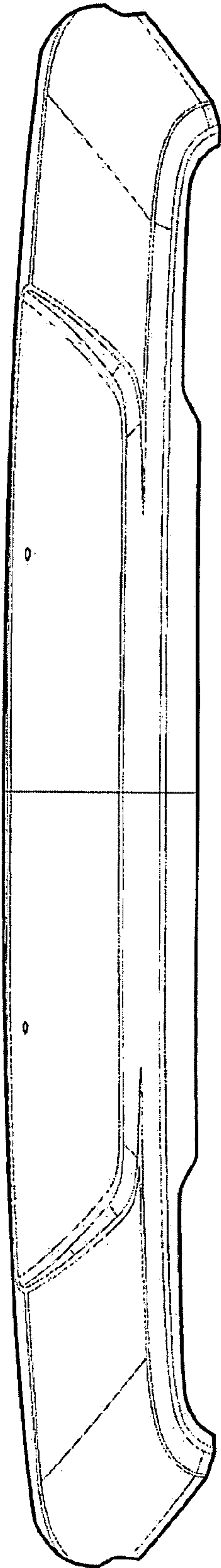


FIG - 3

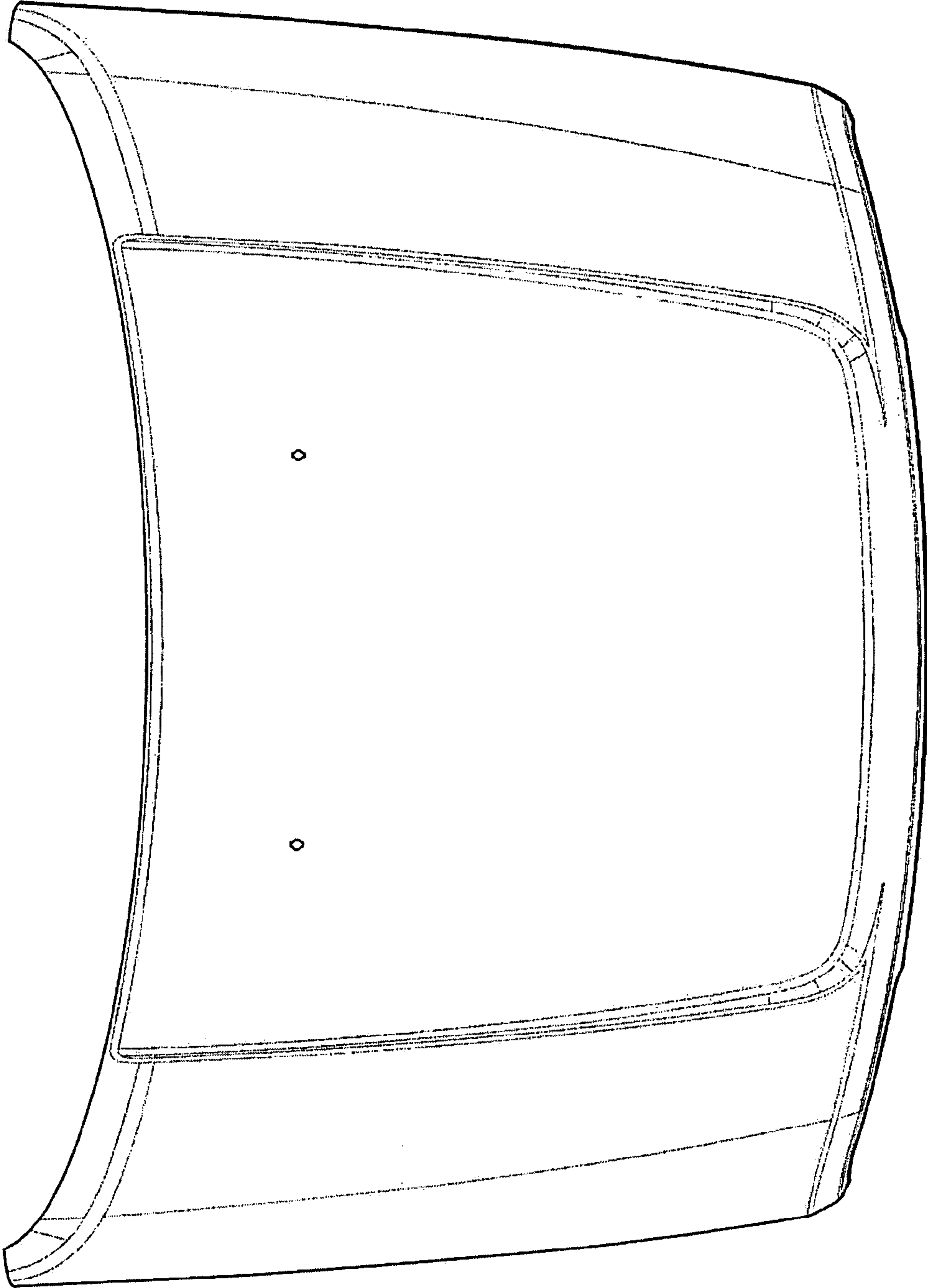


FIG - 4

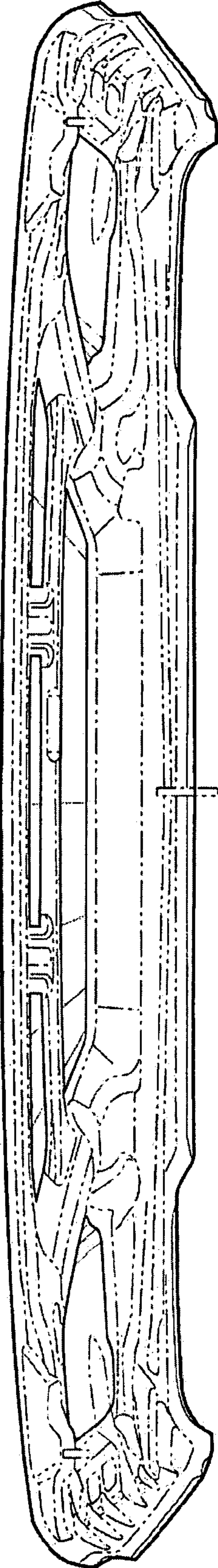


FIG - 5

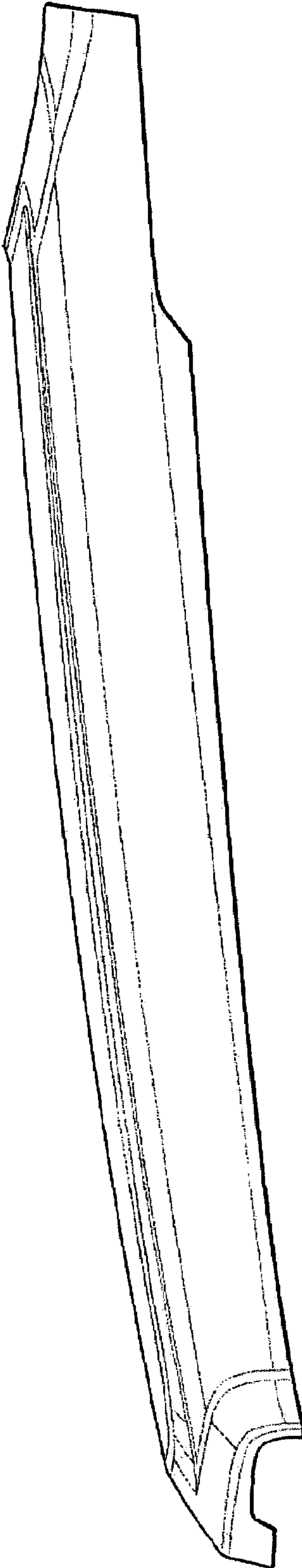


FIG - 6

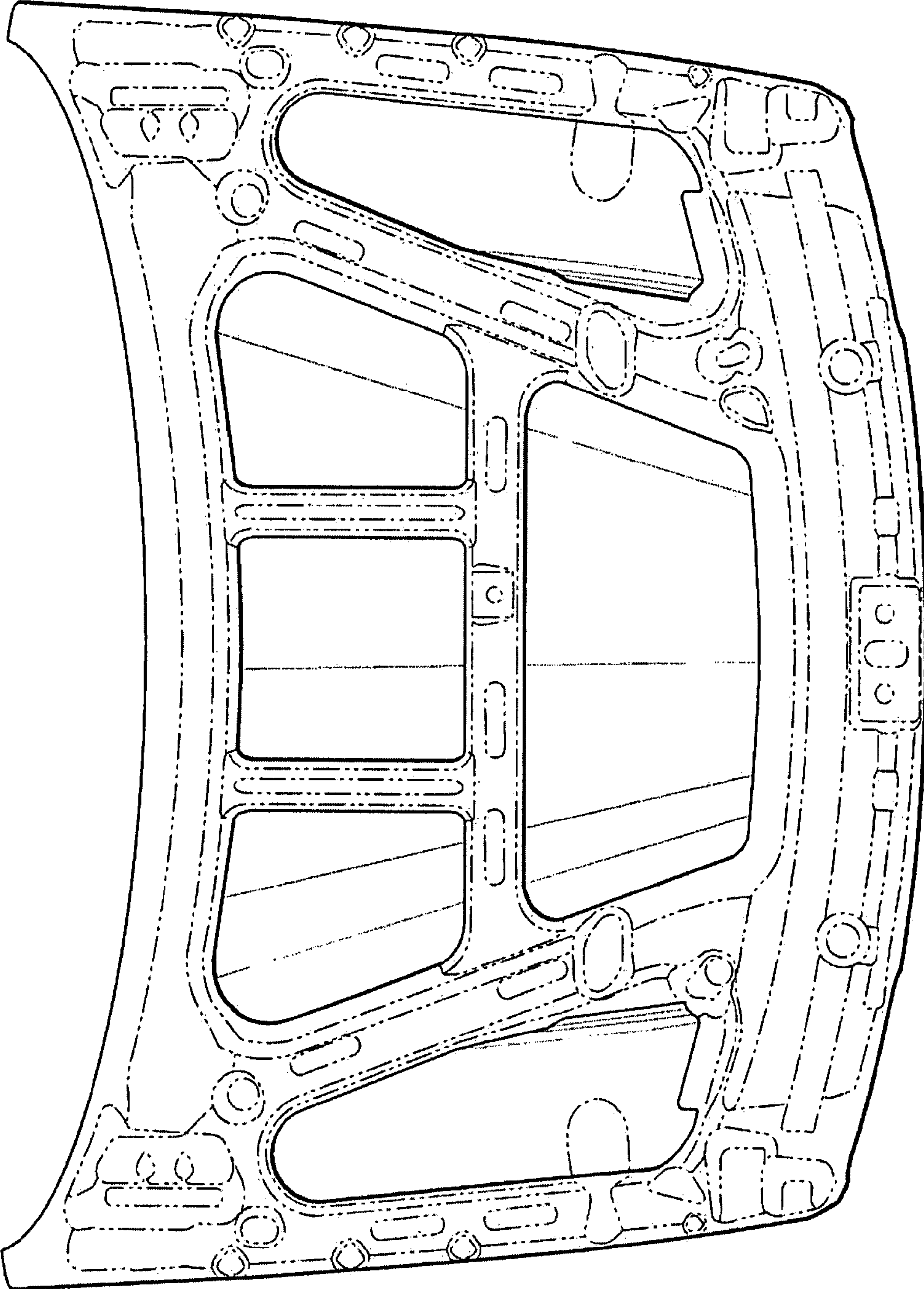


FIG - 7