



US00D572638S

(12) **United States Design Patent**
Zimmermann et al.

(10) **Patent No.:** **US D572,638 S**
(45) **Date of Patent:** **** Jul. 8, 2008**

(54) **VEHICLE FRONT BUMPER**

D563,843 S * 3/2008 Kido et al. D12/169

(75) Inventors: **Dan M. Zimmermann**, Bloomfield Township, MI (US); **Mark T. Allen**, Oxford, MI (US); **Dennis Myles**, West Bloomfield, MI (US)

* cited by examiner

Primary Examiner—Melody N Brown
(74) *Attorney, Agent, or Firm*—Ralph E. Smith

(73) Assignee: **Chrysler LLC**, Auburn Hills, MI (US)

(57) **CLAIM**

(**) Term: **14 Years**

The ornamental design for a vehicle front bumper, as shown and described.

(21) Appl. No.: **29/284,912**

DESCRIPTION

(22) Filed: **Sep. 18, 2007**

Related U.S. Application Data

(63) Continuation-in-part of application No. 29/248,591, filed on Aug. 23, 2006, now Pat. No. Des. 551,124.

FIG. 1 is a front perspective view of a vehicle front bumper showing our new design;

(51) **LOC (8) Cl.** **12-16**

(52) **U.S. Cl.** **D12/169**

FIG. 2 is a rear perspective view thereof;

(58) **Field of Classification Search** D12/169, D12/196, 171, 163, 216, 90-92, 86; 293/102, 293/113, 115, 117, 120; 296/180.1, 180.2
See application file for complete search history.

FIG. 3 is a front view thereof;

FIG. 4 is a rear view thereof;

FIG. 5 is a top plan view thereof;

FIG. 6 is a bottom plan view thereof;

FIG. 7 is a right side view thereof; and,

FIG. 8 is a left side view thereof.

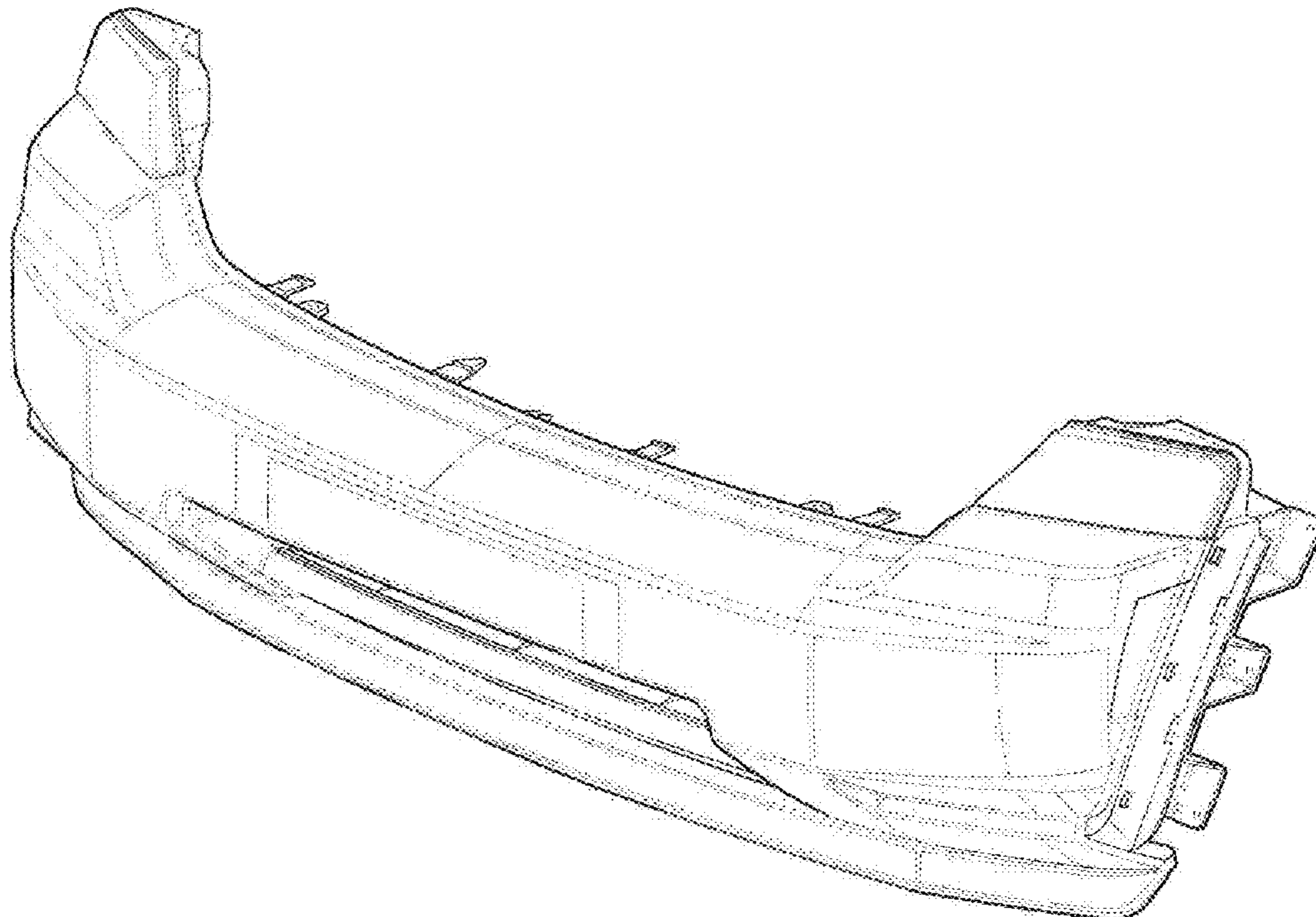
It will be understood that the broken lines presented in the drawings are for illustration only, and do not form a part of the claimed design.

(56) **References Cited**

U.S. PATENT DOCUMENTS

D561,072 S * 2/2008 Golden et al. D12/169

1 Claim, 8 Drawing Sheets



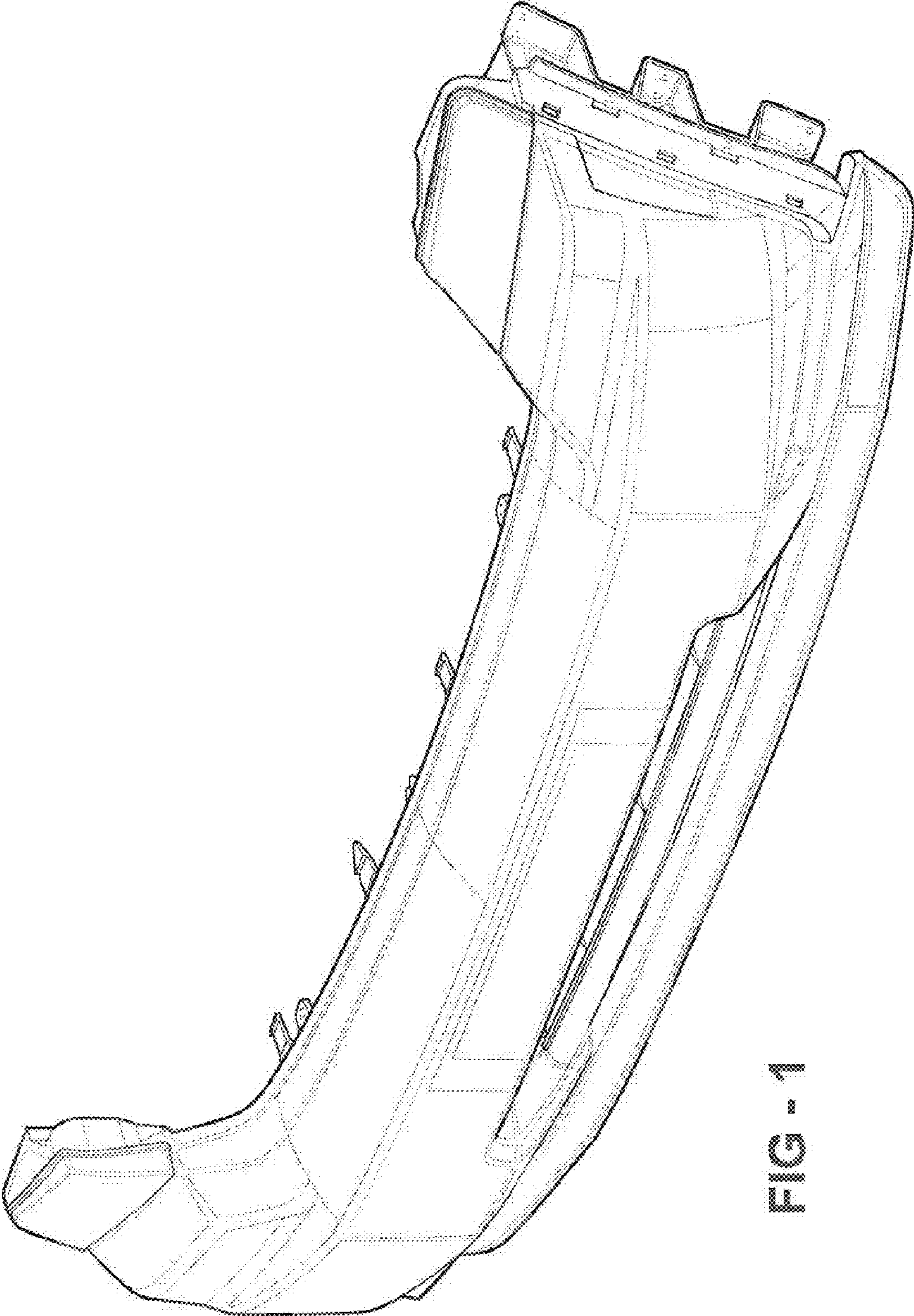


FIG - 1

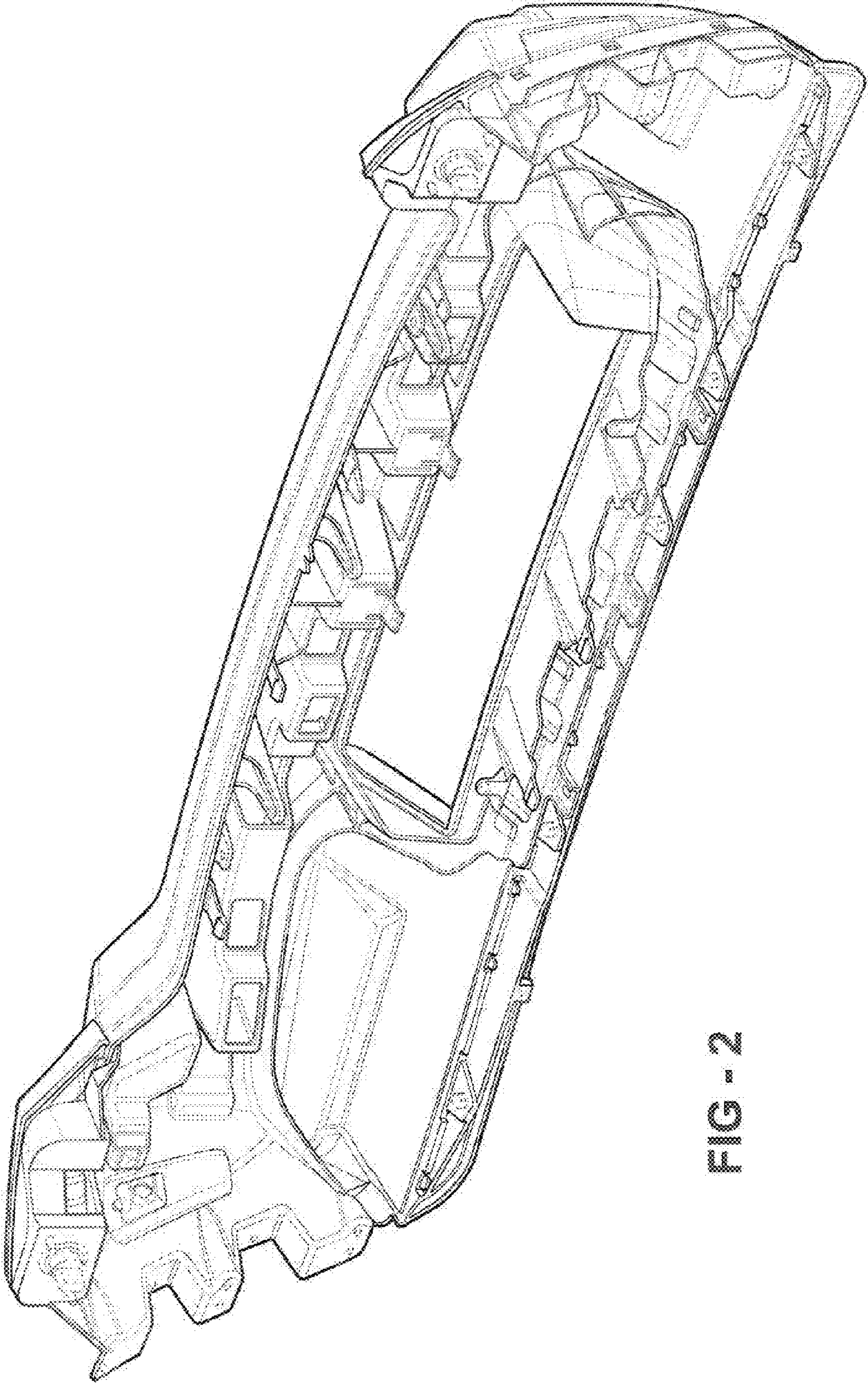


FIG - 2

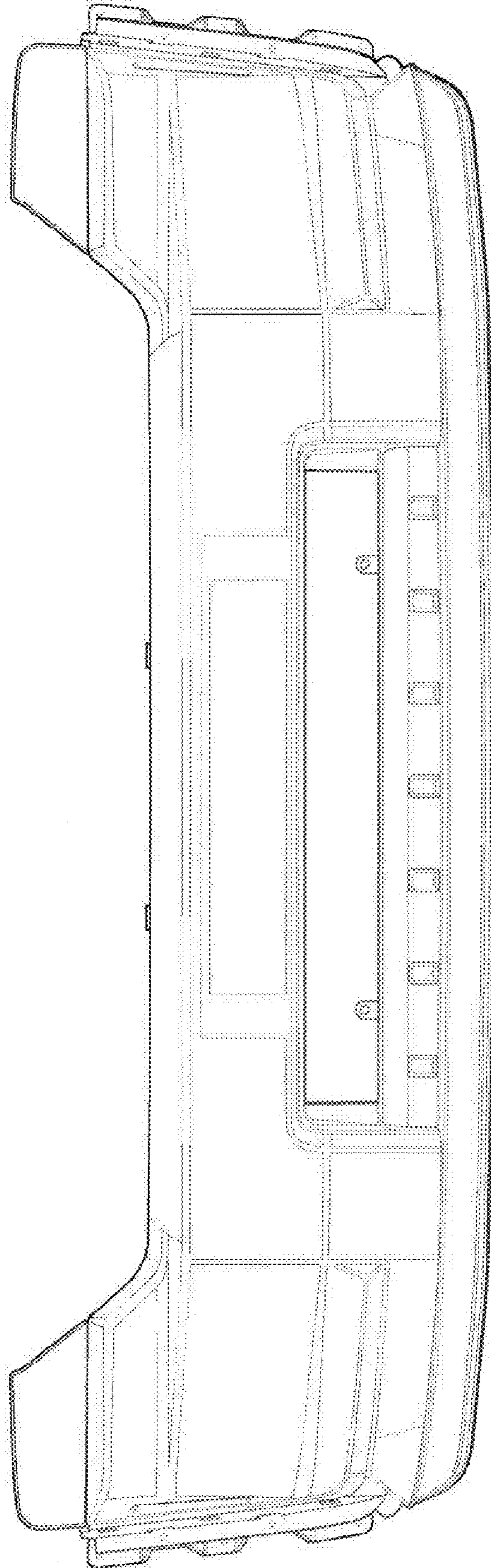


FIG - 3

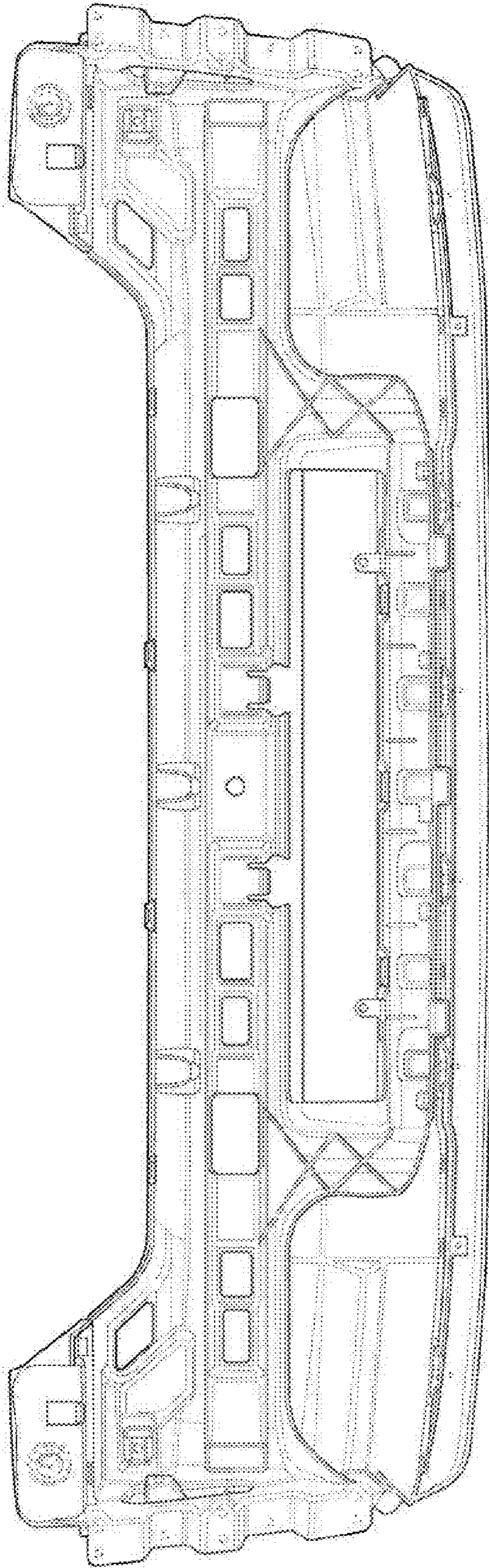


FIG - 4

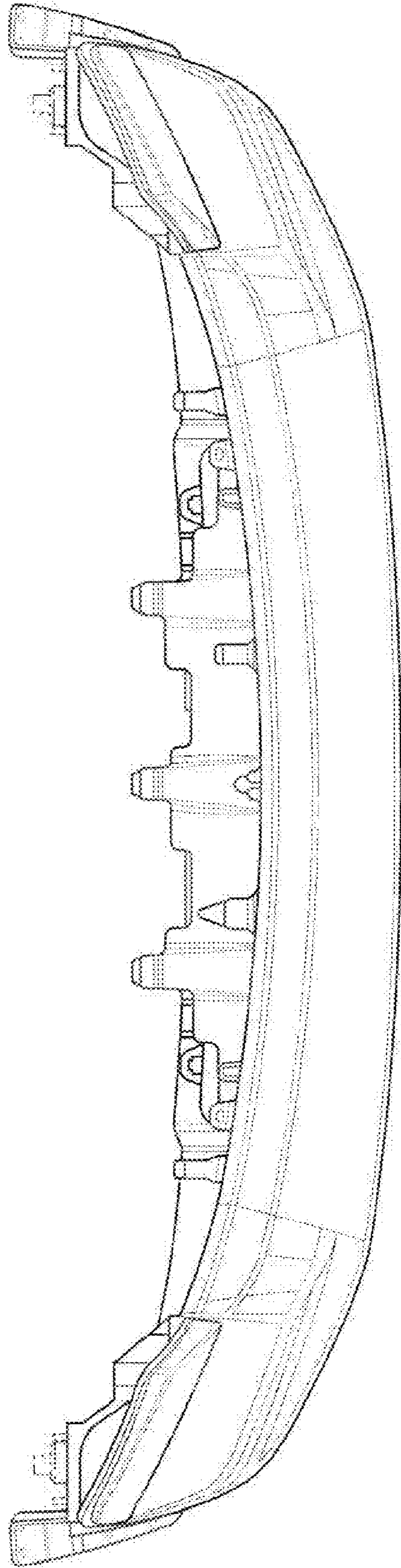


FIG - 5

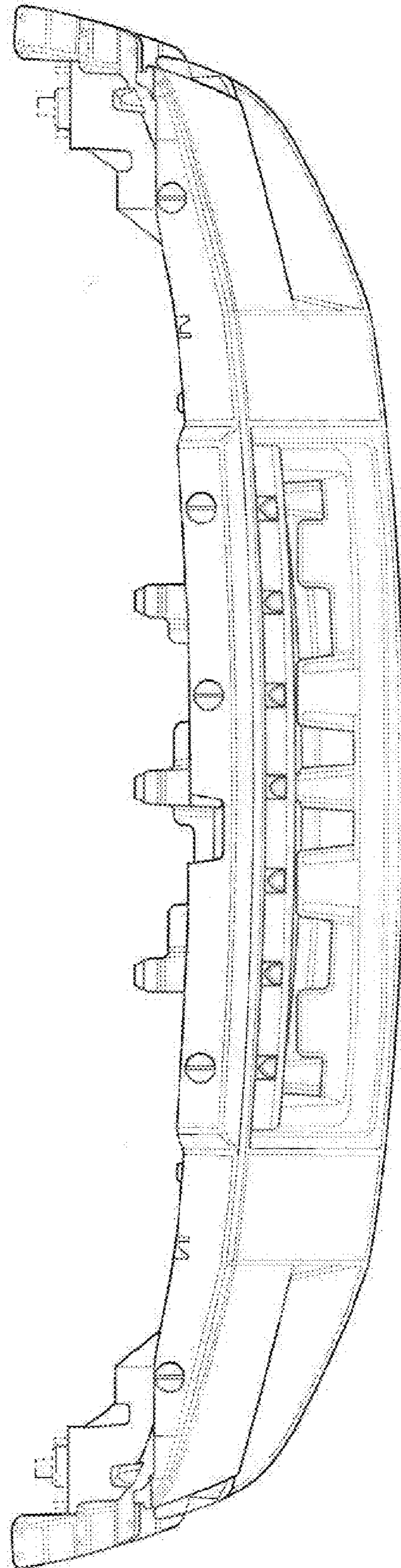


FIG - 6

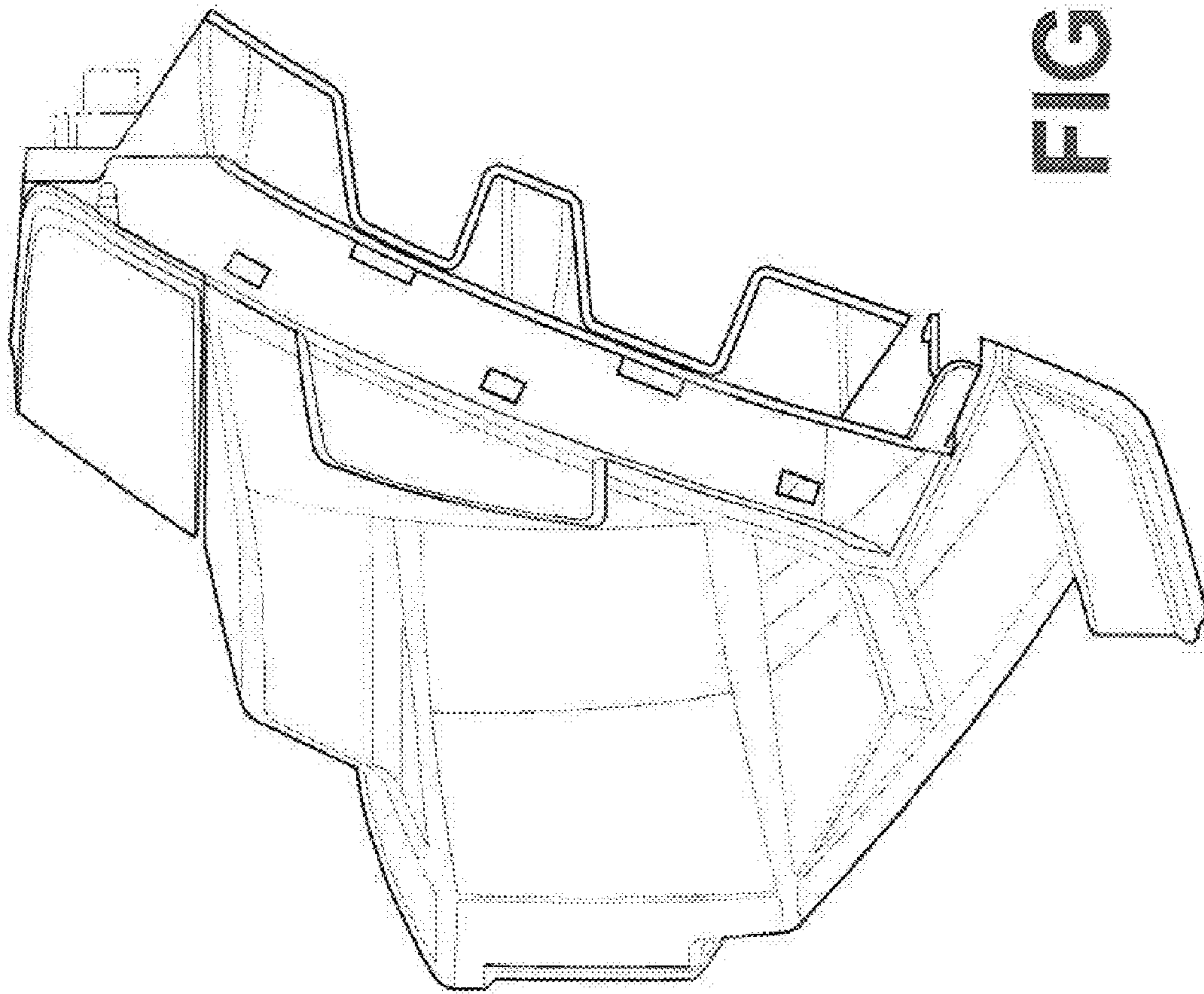


FIG - 7

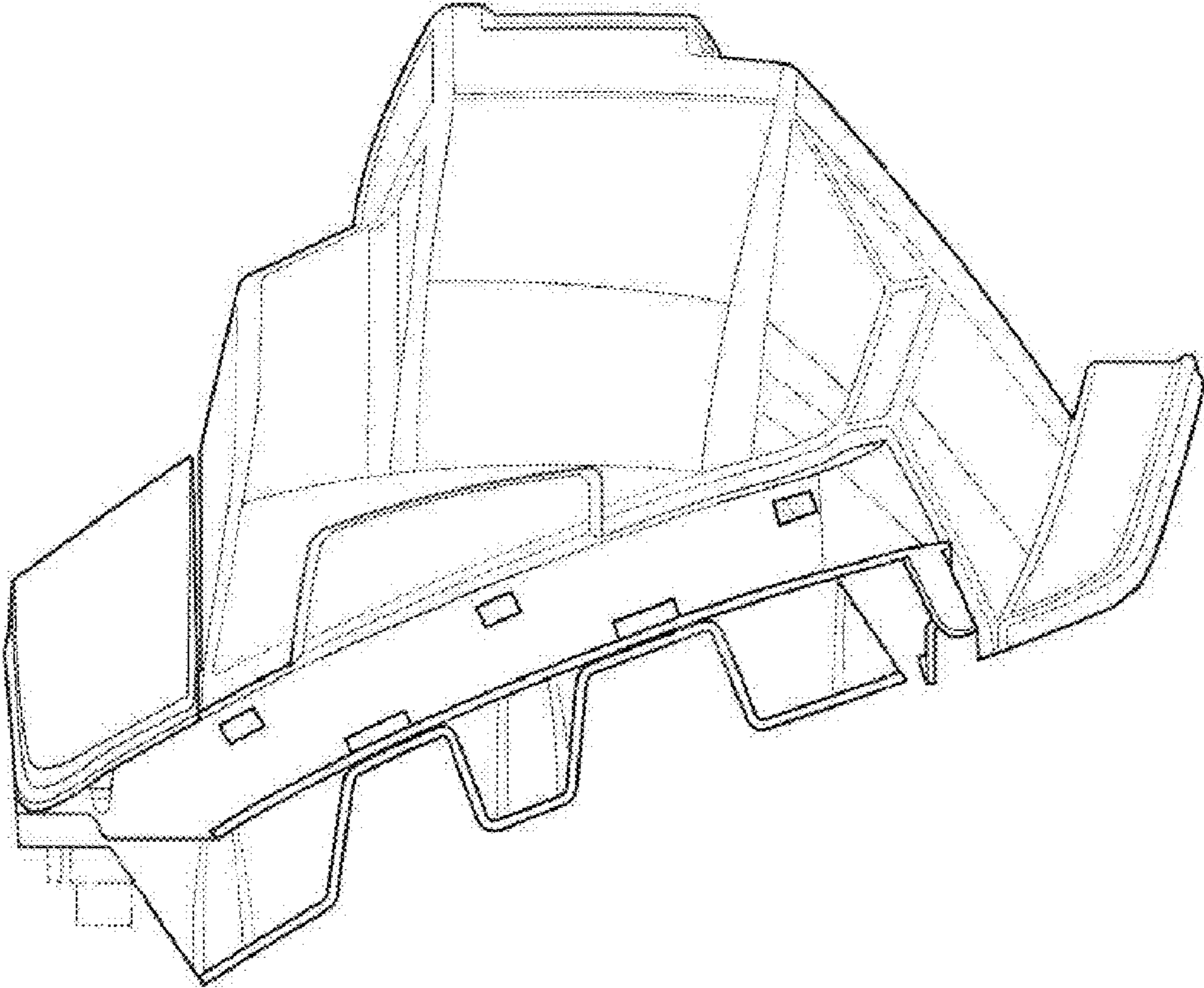


FIG - 8