



US00D572636S

(12) **United States Design Patent**
Hayashi et al.

(10) **Patent No.:** **US D572,636 S**
(45) **Date of Patent:** **** Jul. 8, 2008**

(54) **FRONT PORTION OF A MOTOR VEHICLE
AND/OR TOY REPLICA THEREOF**

Toyota, Rav4, Brochure of Rav4, Feb. 2006, Toyota Jidosha Kabushiki Kaisha.

(75) Inventors: **Hideki Hayashi**, Toyota (JP); **Nobuyuki Tomatsu**, Toyota (JP)

* cited by examiner

Primary Examiner—Melody N Brown

(73) Assignee: **Toyota Jidosha Kabushiki Kaisha** (JP)

(74) *Attorney, Agent, or Firm*—SAIDMAN DesignLaw Group

(**) Term: **14 Years**

(57) **CLAIM**

(21) Appl. No.: **29/281,084**

The ornamental design for a front portion of a motor vehicle and/or toy replica thereof, as shown and described.

(22) Filed: **Jun. 14, 2007**

(51) **LOC (8) Cl.** **12-16**

DESCRIPTION

(52) **U.S. Cl.** **D12/164; D12/196**

(58) **Field of Classification Search** D12/164,
D12/196, 90-92, 86; 296/181.1, 181.5
See application file for complete search history.

FIG. 1 is a front perspective view of a front portion of a motor vehicle and/or toy replica thereof showing our new design;

FIG. 2 is a rear perspective view thereof;

(56) **References Cited**

FIG. 3 is a right-side view thereof;

U.S. PATENT DOCUMENTS

FIG. 4 is a top view thereof;

D504,646 S * 5/2005 Hakamata et al. D12/196

FIG. 5 is a front view thereof; and,

D507,515 S * 7/2005 Hakamata et al. D12/196

FIG. 6 is a rear view thereof.

D510,543 S * 10/2005 Matsuoka et al. D12/91

The claimed design is shown by the relatively dark portions in FIGS. 1-6, while the relatively light portions shown faded for environmental and illustrative purposes only and form no part of the claimed design.

D521,903 S * 5/2006 Matei et al. D12/91

D533,112 S * 12/2006 Harada et al. D12/91

OTHER PUBLICATIONS

Toyota, Camry, Brochure of Camry, Jan. 2006, Toyota Jidosha Kabushiki Kaisha.

1 Claim, 2 Drawing Sheets





FIG. 1

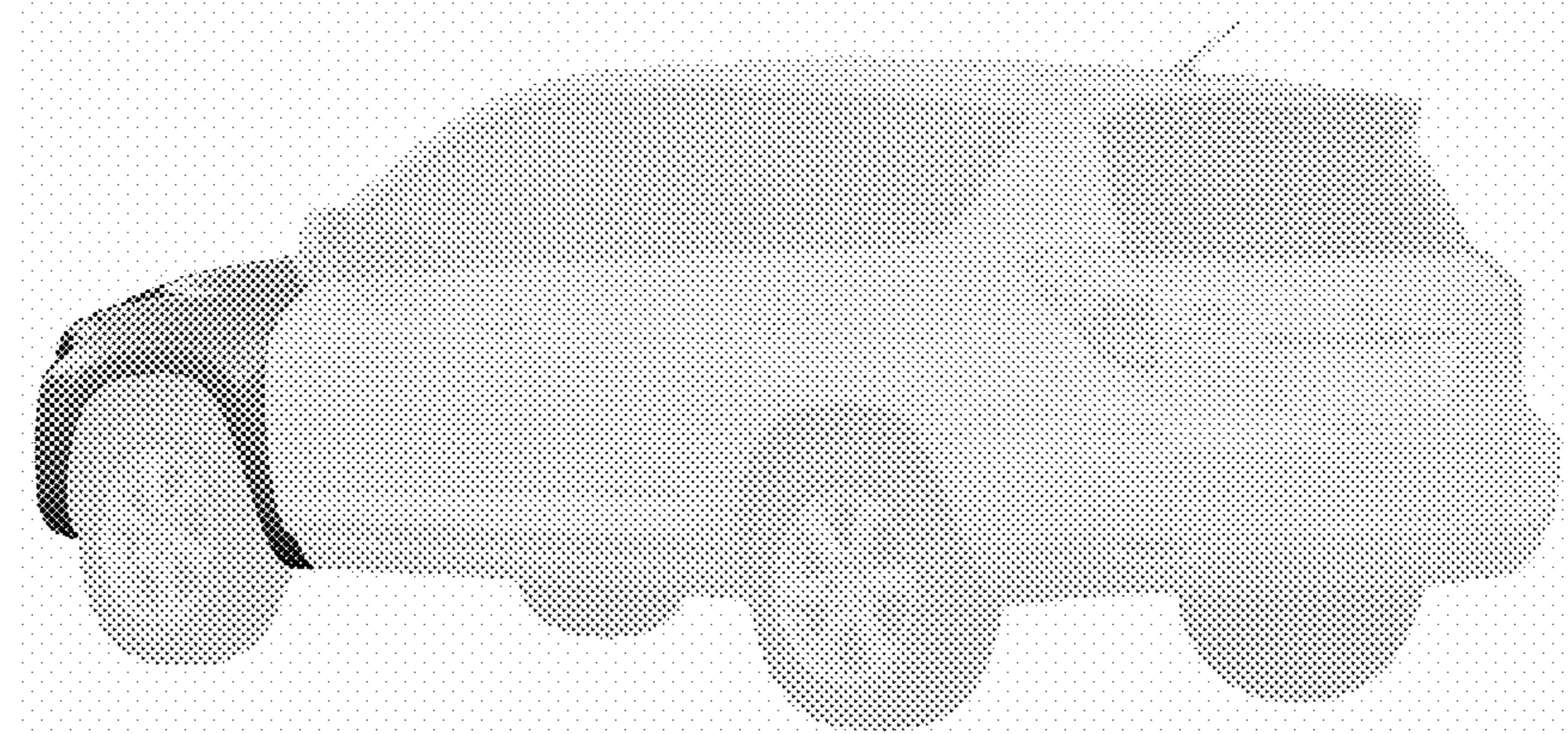


FIG. 2

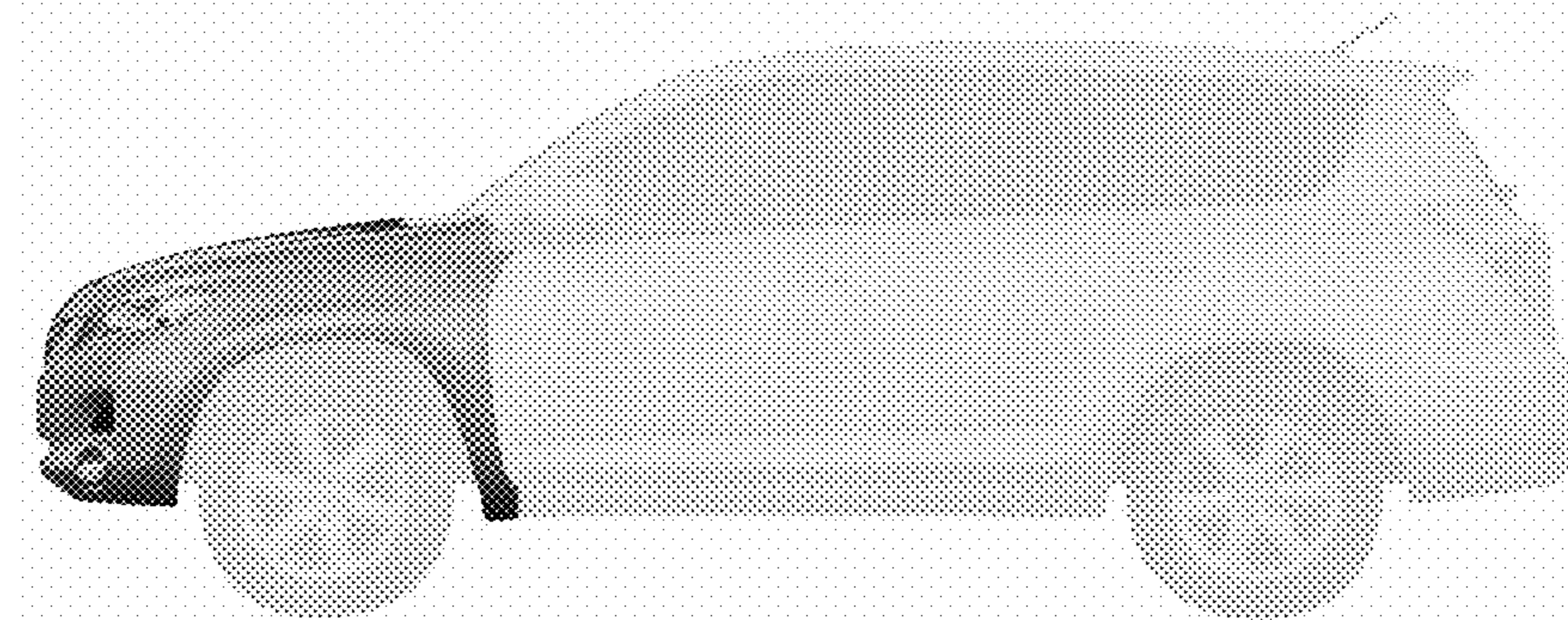


FIG. 3

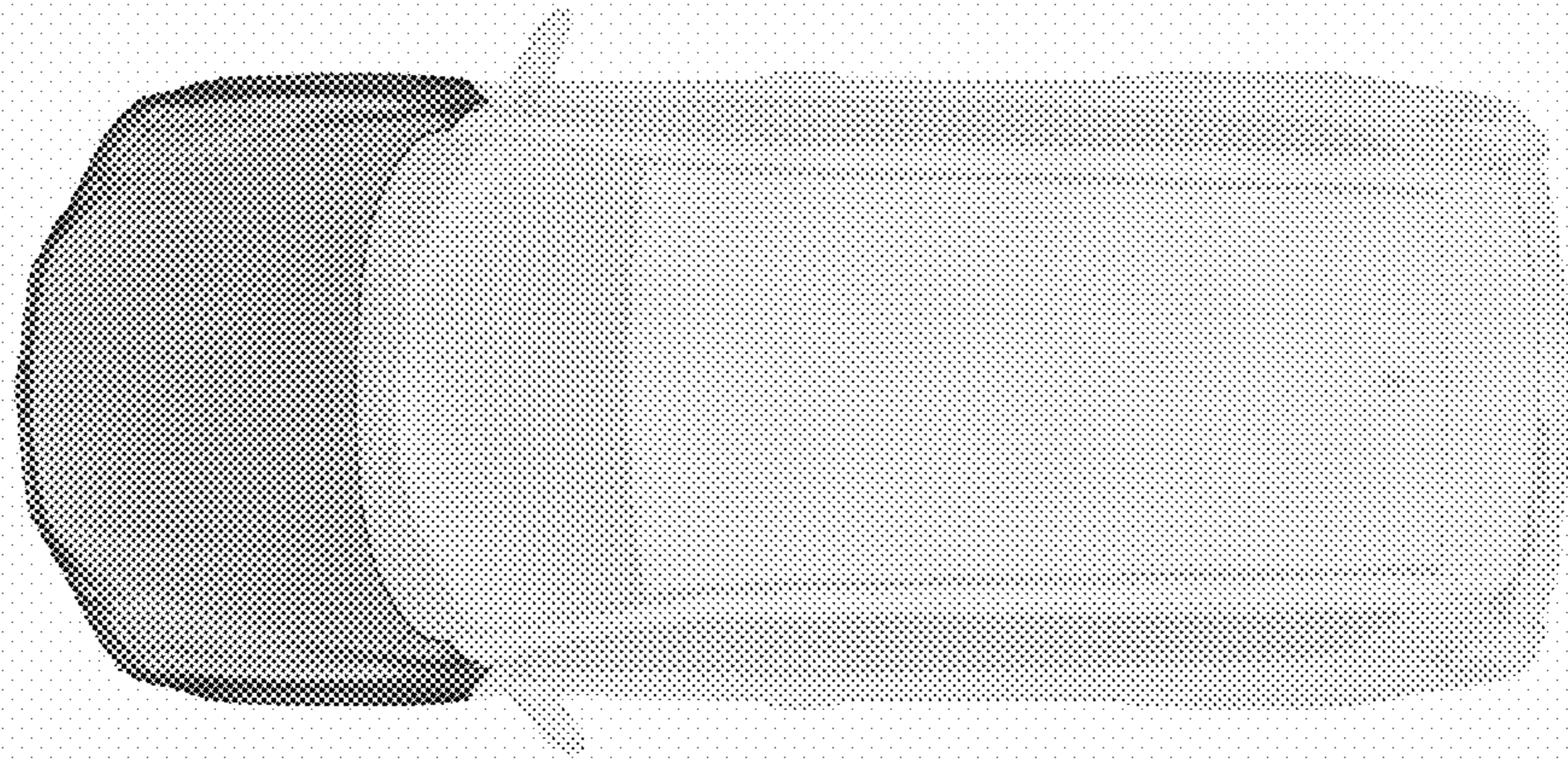


FIG. 4



FIG. 5

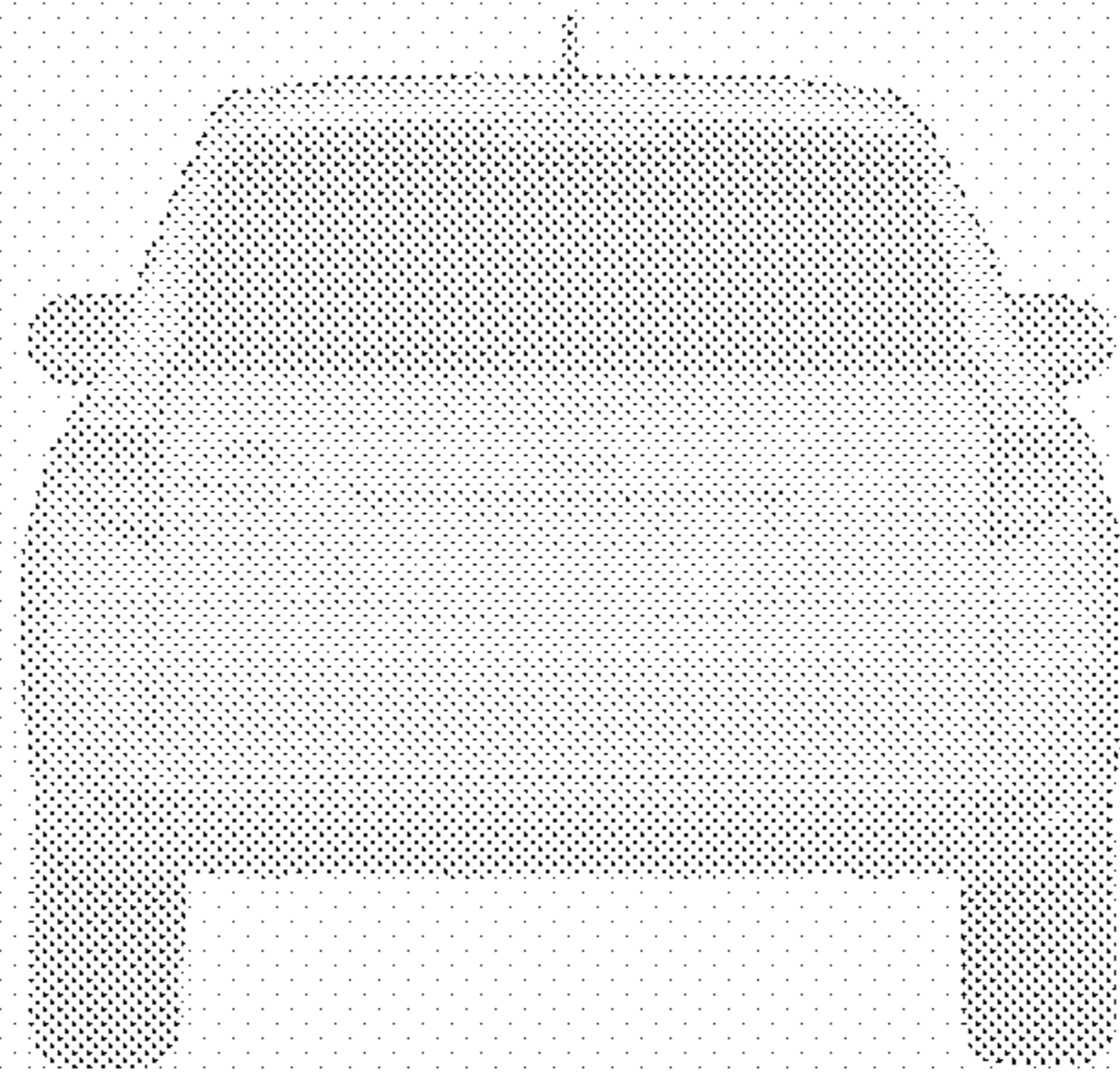


FIG. 6