



US00D572635S

(12) **United States Design Patent**
Zheng

(10) **Patent No.:** **US D572,635 S**
(45) **Date of Patent:** **** Jul. 8, 2008**

(54) **FRONT GRILLE FOR AUTOMOBILE**

D539,194 S * 3/2007 Moses D12/163
D546,247 S * 7/2007 Abbett D12/163
D547,705 S * 7/2007 Marchese et al. D12/163

(75) Inventor: **Chunhong Zheng**, Baoding (CN)

* cited by examiner

(73) Assignee: **Great Wall Motor Company Limited**,
Baoding, Hevei Province (CN)

Primary Examiner—Melody N Brown

(**) Term: **14 Years**

(74) *Attorney, Agent, or Firm*—Robert L. Epstein; Epstein
Drangel Bazerman & James, LLP

(21) Appl. No.: **29/289,953**

(57) **CLAIM**

(22) Filed: **Aug. 6, 2007**

The ornamental design for a front grille for an automobile,
substantially as shown and described.

(30) **Foreign Application Priority Data**

Feb. 7, 2007 (CN) 2007 3 0003401

DESCRIPTION

(51) **LOC (8) Cl.** **12-16**

FIG. 1 is a perspective view showing the front and top of my
invention;

(52) **U.S. Cl.** **D12/163**

FIG. 2 is a front elevation view of my invention;

(58) **Field of Classification Search** D12/163,
D12/171, 196, 216, 90-92, 86; 180/68.1,
180/68.6; 296/193.11

FIG. 3 is a rear elevation view of my invention;

See application file for complete search history.

FIG. 4 is a right-side elevation view of my invention;

FIG. 5 is a left-side elevation view of my invention;

(56) **References Cited**

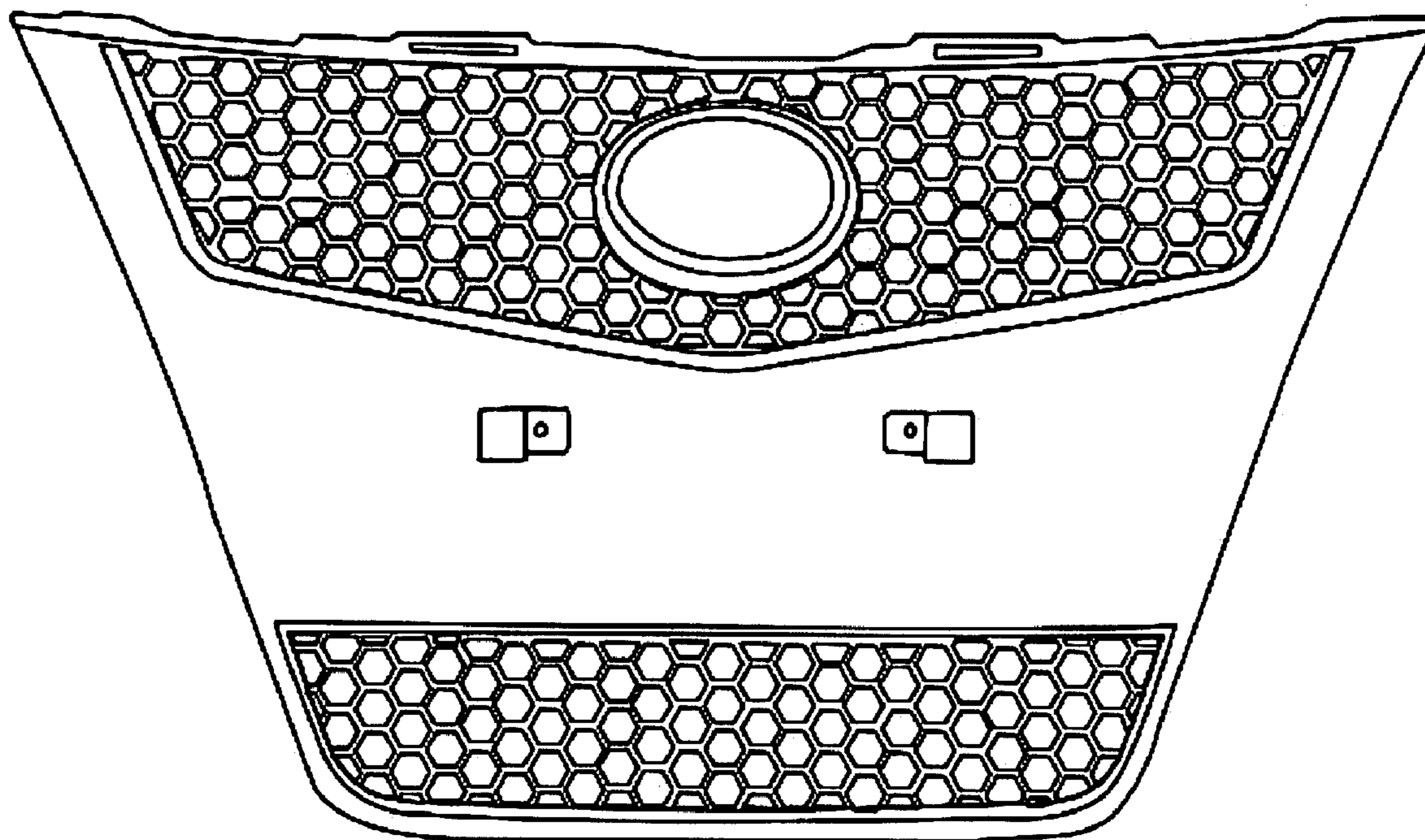
FIG. 6 is a top plan view of my invention; and,

FIG. 7 is a bottom plan view of my invention.

U.S. PATENT DOCUMENTS

D497,849 S * 11/2004 Yanase D12/163

1 Claim, 4 Drawing Sheets



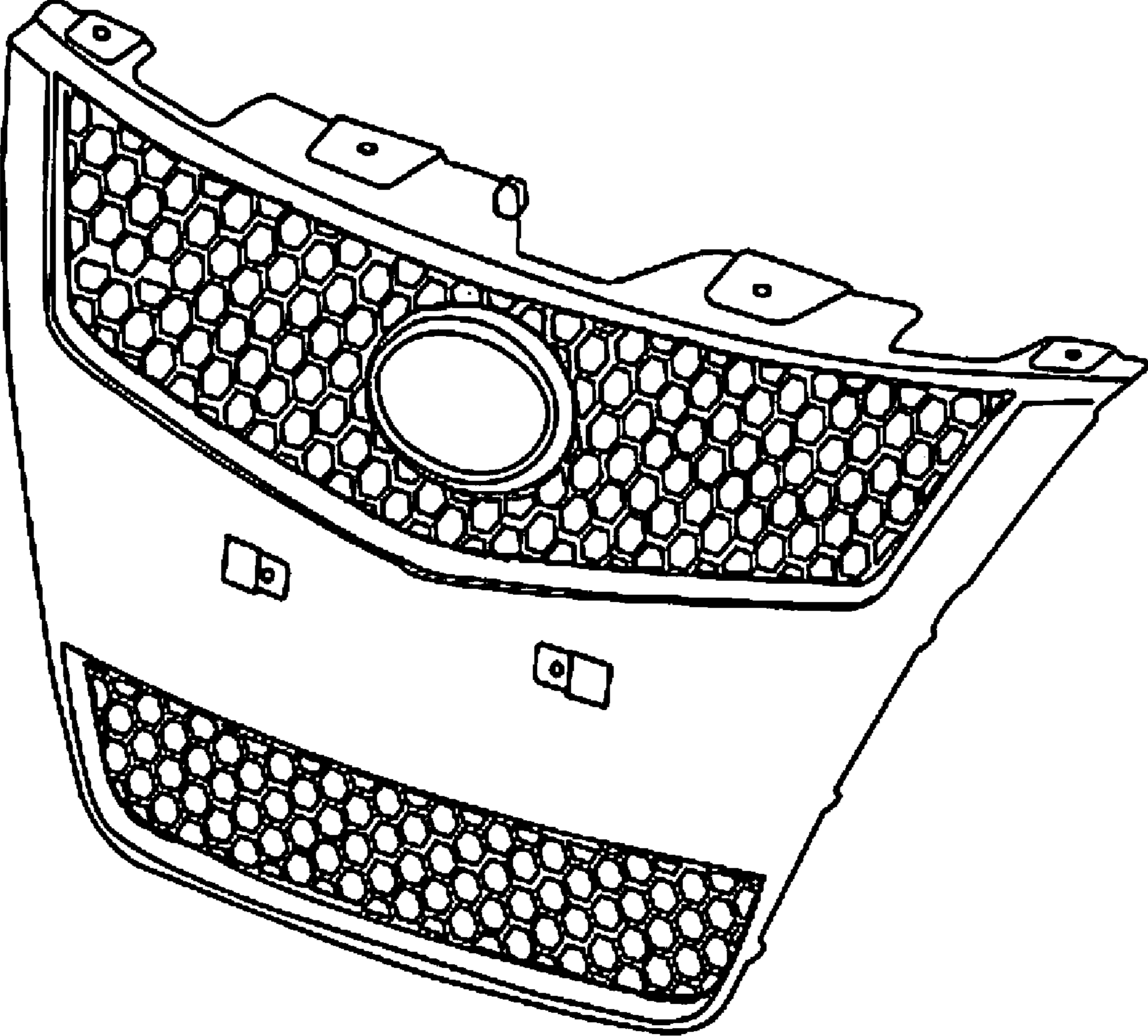


Fig. 1

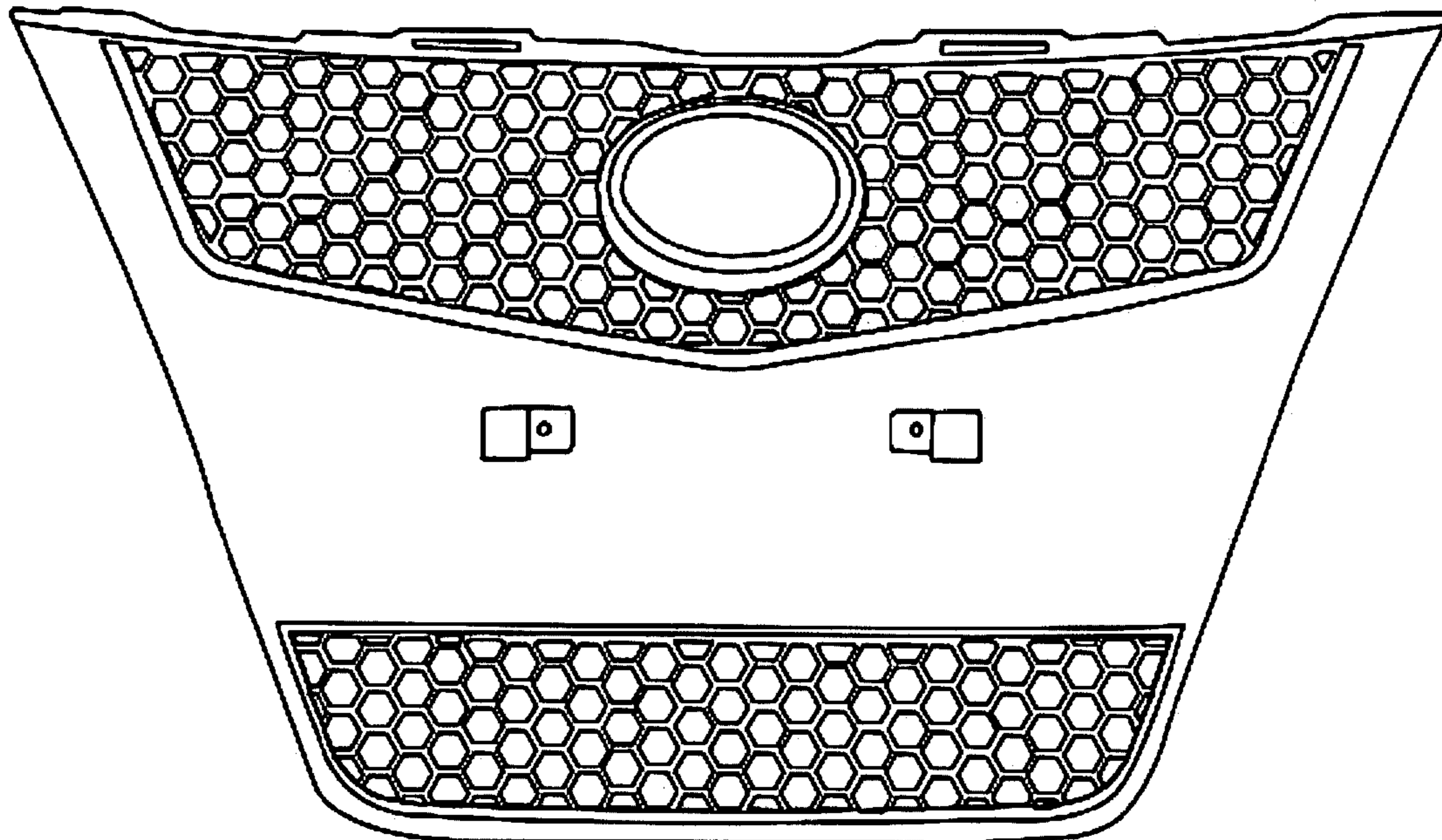


Fig. 2

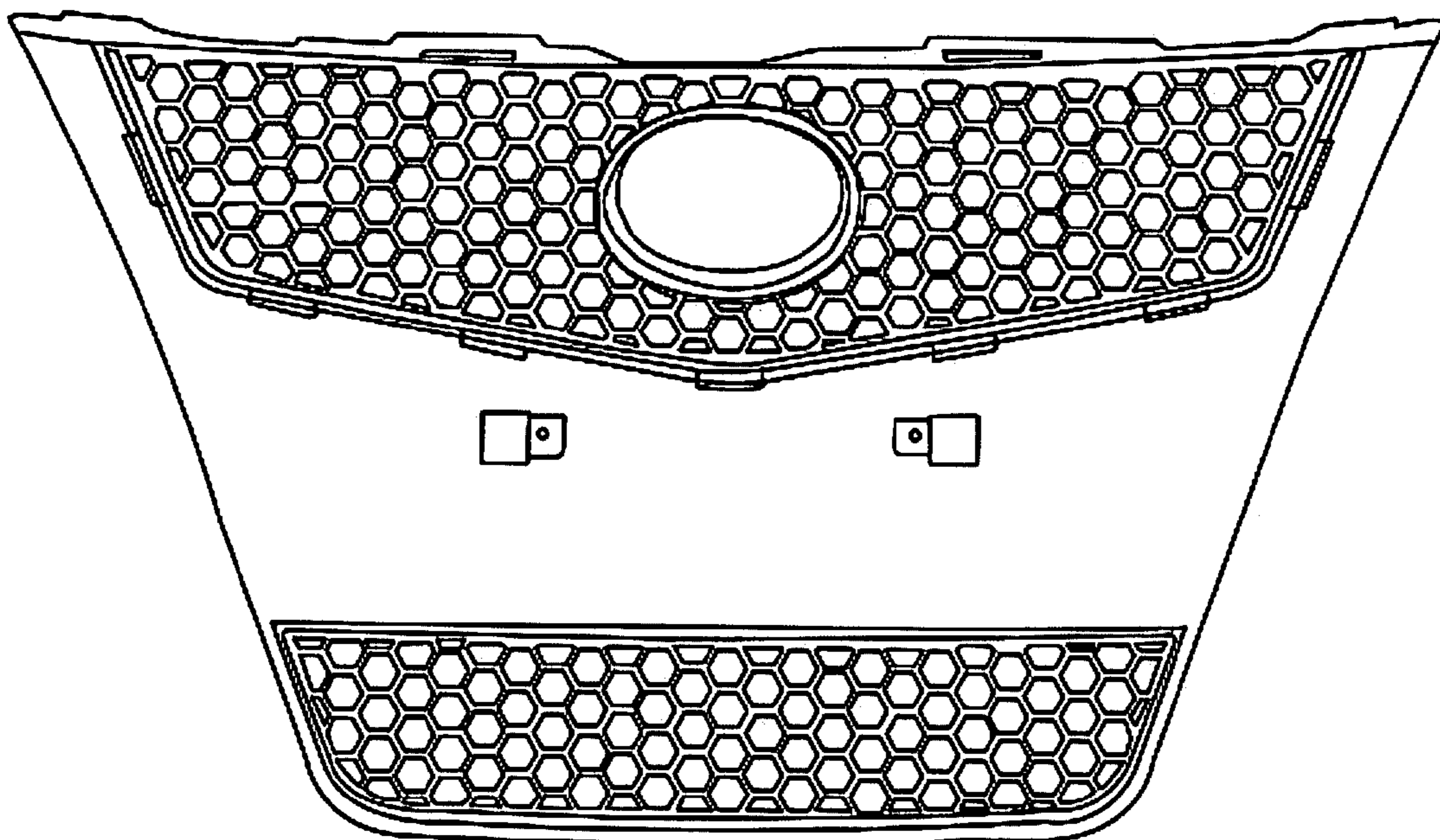


Fig. 3

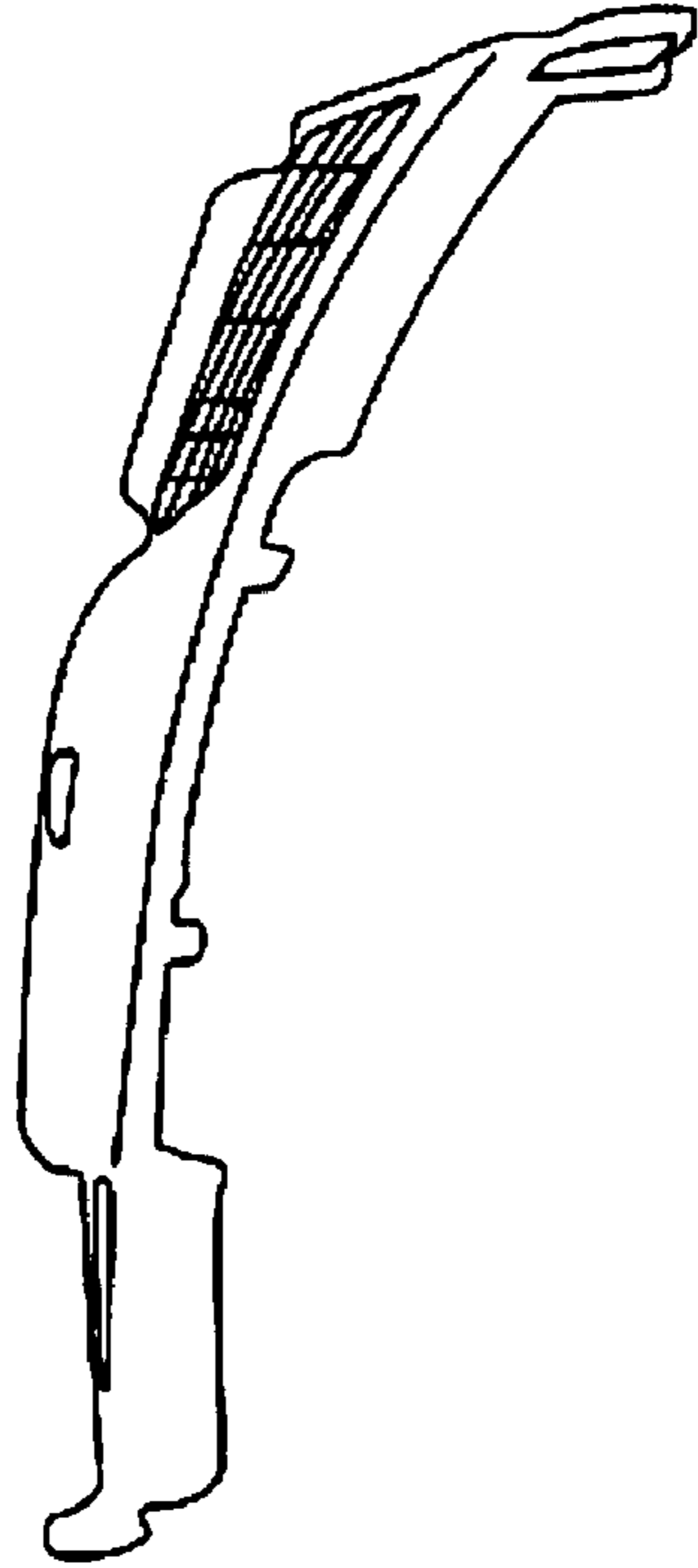


Fig. 4

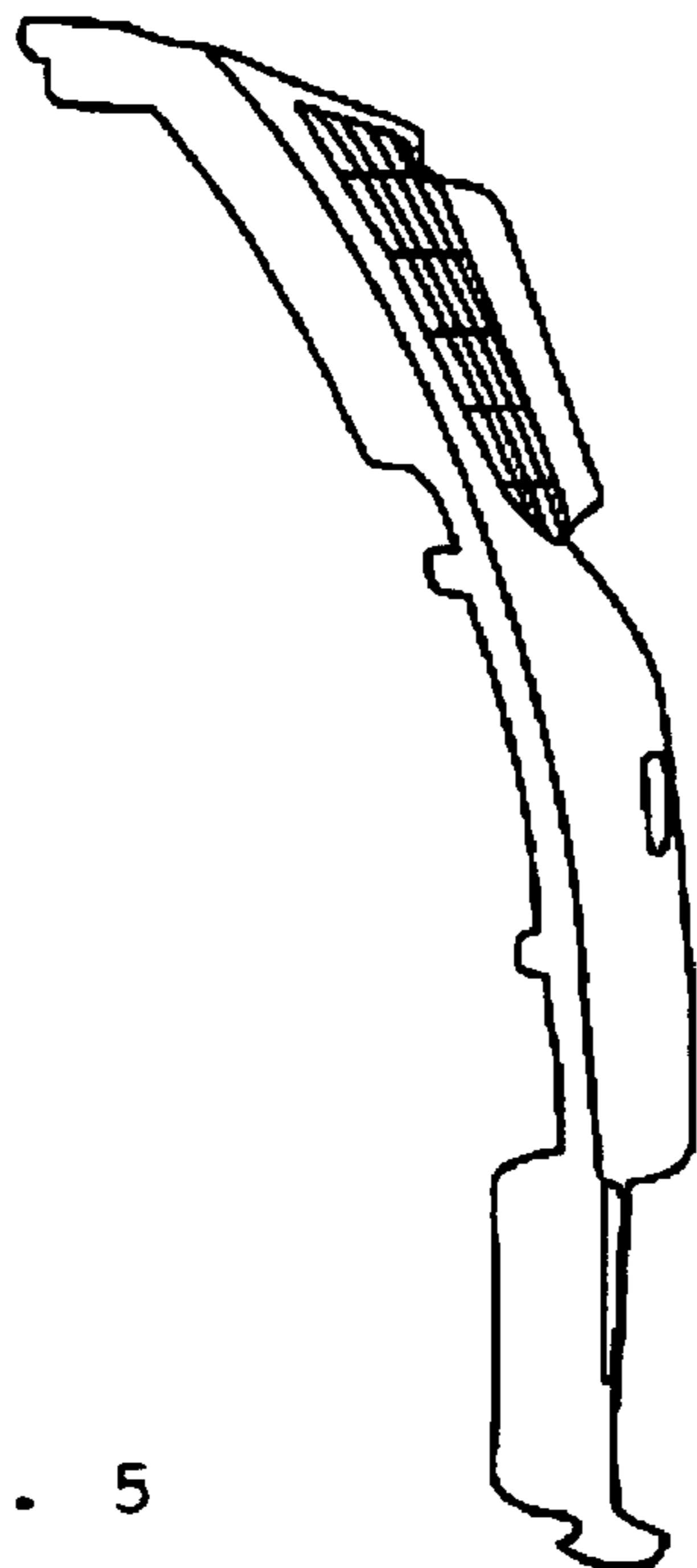


Fig. 5

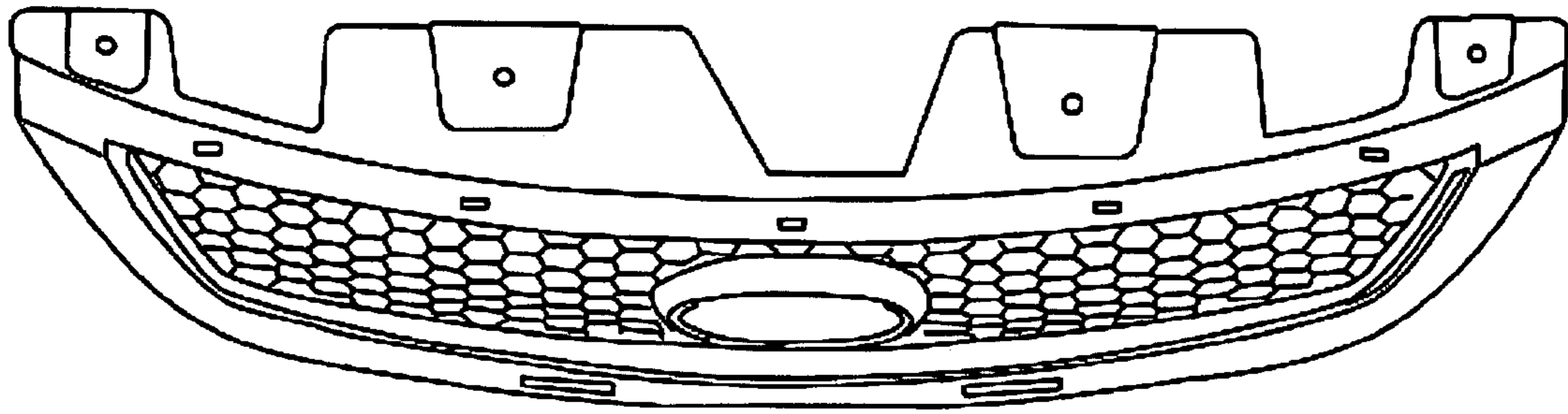


Fig. 6

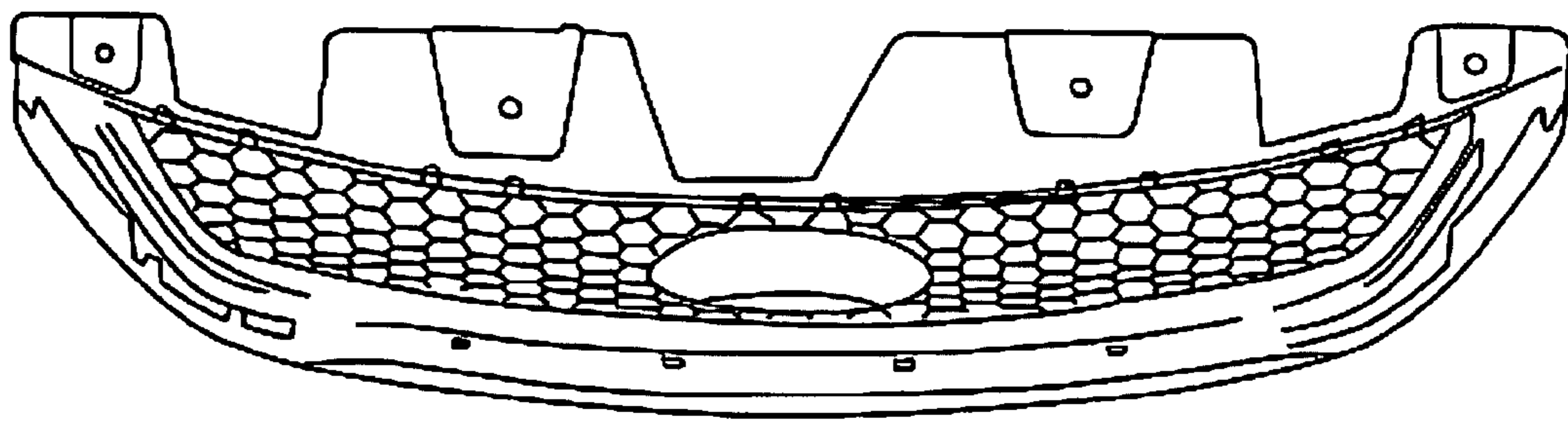


Fig. 7

UNITED STATES PATENT AND TRADEMARK OFFICE
CERTIFICATE OF CORRECTION

PATENT NO. : Des. 572,635 S
APPLICATION NO. : 29/289953
DATED : July 8, 2008
INVENTOR(S) : Chunhong Zheng

Page 1 of 1

It is certified that error appears in the above-identified patent and that said Letters Patent is hereby corrected as shown below:

Title Page item 73

The correct address of the assignee is:

Baoding, Hebei Province (CN)

Signed and Sealed this

Twenty-eighth Day of October, 2008

A handwritten signature in black ink that reads "Jon W. Dudas". The signature is written in a cursive style with a large, looped initial "J".

JON W. DUDAS

Director of the United States Patent and Trademark Office