



US00D572633S

(12) **United States Design Patent**  
**Crawley et al.**

(10) **Patent No.:** **US D572,633 S**  
(45) **Date of Patent:** **\*\* Jul. 8, 2008**

(54) **BASE FOR FIFTH WHEEL HITCH**

(74) *Attorney, Agent, or Firm*—Shewchuk IP Services, LLC;  
Jeffrey D. Shewchuk

(75) Inventors: **Steven H. Crawley**, Eau Claire, WI  
(US); **Curt Tambornino**, Fall Creek, WI  
(US)

(57) **CLAIM**

The ornamental design for a base for fifth wheel hitch, as shown and described.

(73) Assignee: **Curt Manufacturing, Inc.**, Eau Claire,  
WI (US)

(\*\*) Term: **14 Years**

**DESCRIPTION**

(21) Appl. No.: **29/257,291**

FIG. 1 is a perspective view from above showing a base for fifth wheel hitch in accordance with the present invention, with the overlying skid plate, handle and jaws depicted in dashed lines to show the environment of use of the base. The base is formed in two parts, a left side and a right side, which are identical mirror images and both symmetrical front to back.

(22) Filed: **Mar. 31, 2006**

FIG. 2 is a top plan view showing the base together with the skid plate, handle and jaws of FIG. 1.

(51) **LOC (8) Cl.** ..... **12-16**

(52) **U.S. Cl.** ..... **D12/162**

(58) **Field of Classification Search** ..... D12/106,  
D12/115, 116, 161, 162, 199; 280/402, 403,  
280/404, 405.1, 405.2, 407, 407.1, 416.2,  
280/455.1, 491.5, 186, 433, 434, 438 R  
See application file for complete search history.

FIG. 3 is a top plan view of one side of the base of FIGS. 1–2. The other side of the base is an identical mirror image.

(56) **References Cited**

**U.S. PATENT DOCUMENTS**

974,877 A	11/1910	Greene	
2,102,821 A	12/1937	Seyferth	
2,212,708 A	8/1940	Fraser	
2,215,903 A	9/1940	Edwards	
2,541,209 A	2/1951	Cox	
2,618,486 A	11/1952	Durant	
2,788,989 A	4/1957	Davies	
2,794,656 A	6/1957	Seyferth	
2,910,306 A	10/1959	Georgi	
2,985,463 A *	5/1961	Geerds	280/407
3,122,382 A	2/1964	Carrier	
3,392,992 A	7/1968	Baker et al.	

FIG. 4 is an outside elevational view of the base of FIGS. 1–3. The opposite outside elevational view is identical.

FIG. 5 is a cross-sectional view taken at lines 5—5 of FIGS. 4 and 8.

FIG. 6 is a cross-sectional view taken at lines 6—6 of FIGS. 4 and 8.

FIG. 7 is a cross-sectional view taken at lines 7—7 of FIGS. 4 and 8.

FIG. 8 is an inside elevational view of the base of FIGS. 1–7. The opposite inside elevational view is identical, and the inside face of the base is unadorned; and,

FIG. 9 is a front elevational view of the left side of the base of FIGS. 1–8. The front elevational view of the right side of the base and the rear elevational view of the left side of the base are identical mirror images, and the rear elevational view of the right side of the base is identical.

The broken line showing of environment is for illustrative purposes only and forms no part of the claimed design.

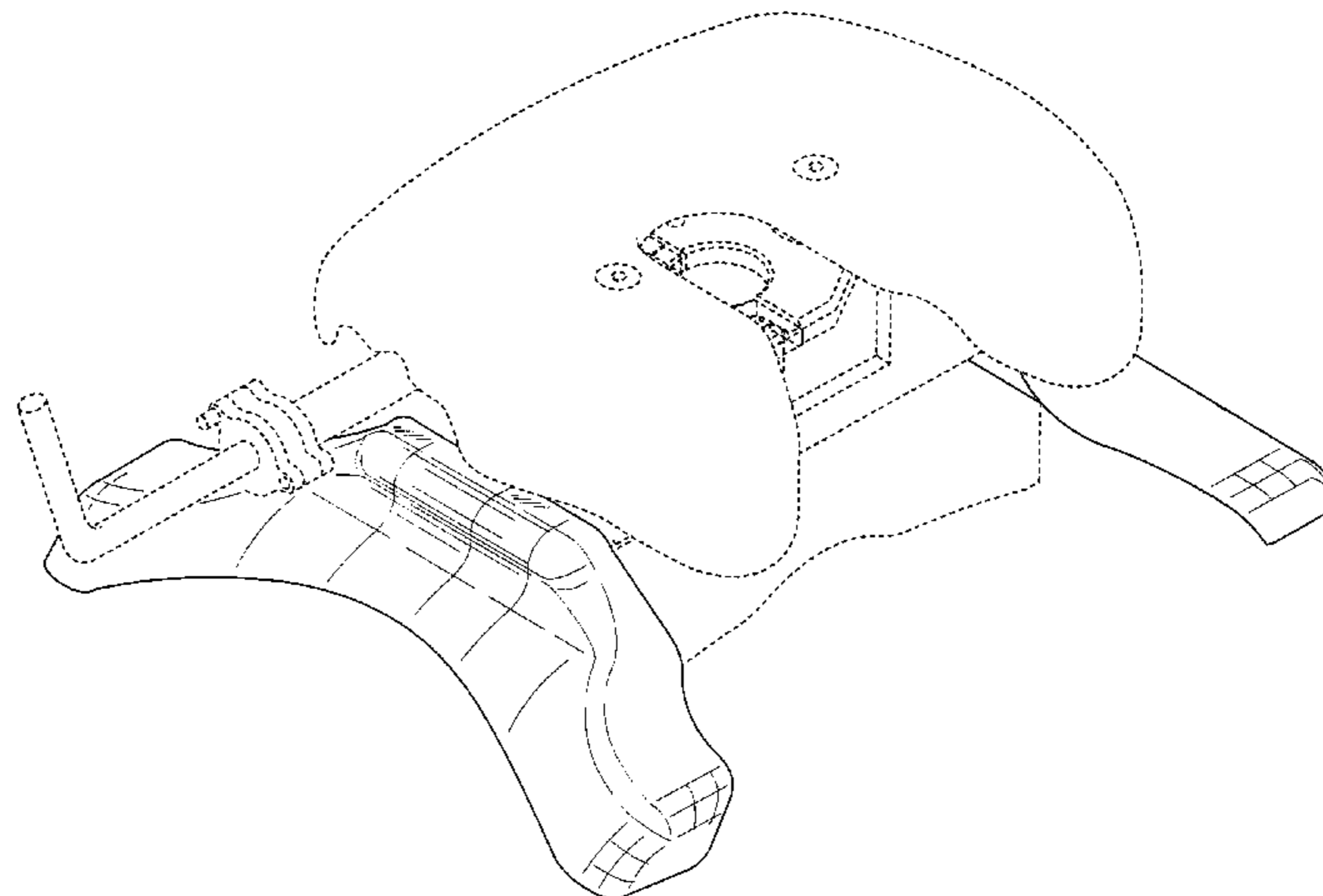
(Continued)

**FOREIGN PATENT DOCUMENTS**

EP 0 114 046 A2 1/1984

*Primary Examiner*—Louis S Zarfaz  
*Assistant Examiner*—Michael A Pratt

**1 Claim, 4 Drawing Sheets**



# US D572,633 S

Page 2

## U.S. PATENT DOCUMENTS

3,528,683	A	9/1970	Janeway						
3,729,214	A	4/1973	Mulcahy et al.						
3,869,147	A	3/1975	Fry						
3,963,259	A	6/1976	Massey						
4,227,713	A	10/1980	Blodgett, Jr. et al.						
D289,514	S *	4/1987	Capps	.....	D12/161				
4,721,323	A	1/1988	Czuk et al.						
D301,860	S *	6/1989	Severson	.....	D12/161				
4,871,182	A *	10/1989	Altherr et al.	.....	280/434				
5,044,651	A	9/1991	Weikel						
5,060,964	A	10/1991	Vick						
5,356,167	A	10/1994	Hall et al.						
5,438,881	A *	8/1995	Schedrat et al.	.....	73/862.57				
5,449,191	A	9/1995	Cattau						
D365,799	S *	1/1996	Murcheson	.....	D12/161				
5,509,682	A	4/1996	Lindenman et al.						
5,516,138	A	5/1996	Fontaine						
5,529,329	A	6/1996	McCoy						
D377,001	S *	12/1996	Martin et al.	.....	D12/161				
D380,719	S *	7/1997	Lindenman et al.	.....	D12/162				
D395,025	S *	6/1998	Lindenman et al.	.....	D12/161				
5,772,229	A	6/1998	Cattau						
5,839,745	A	11/1998	Cattau et al.						
6,170,850	B1	1/2001	Works						
6,276,244	B1	8/2001	Fisher et al.						
D450,276	S *	11/2001	Johnson	.....	D12/161				
6,485,045	B1	11/2002	King						
6,533,308	B1	3/2003	Tambornino						
6,557,883	B2	5/2003	Linger et al.						
D495,279	S *	8/2004	Lindenman et al.	.....	D12/161				
6,846,000	B2	1/2005	Grinde et al.						
6,935,650	B2	8/2005	Grinde et al.						
D538,205	S *	3/2007	Roth-Schuler	.....	D12/161				
2003/0047906	A1 *	3/2003	Hicks et al.	.....	280/433				

\* cited by examiner

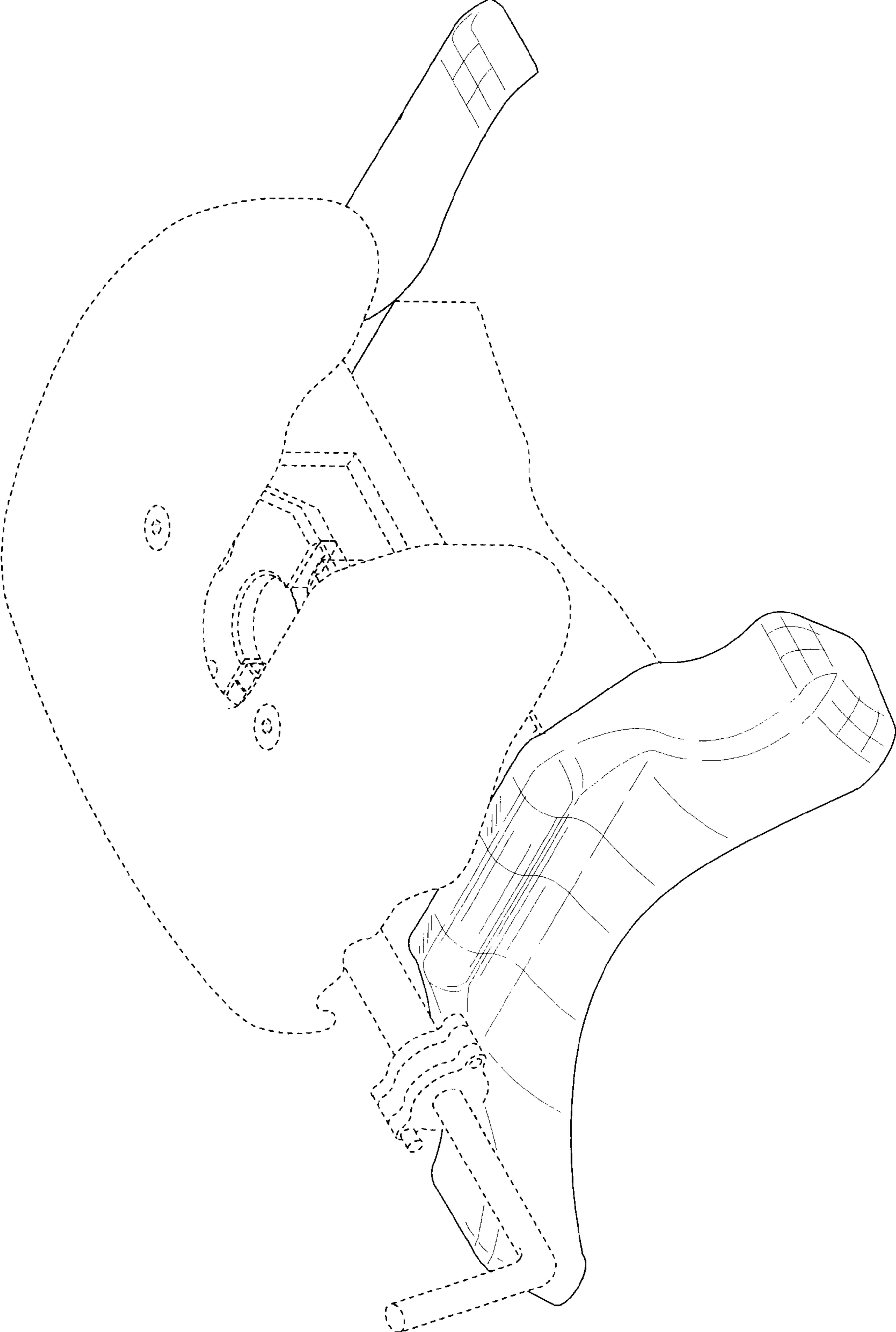


FIG. 1

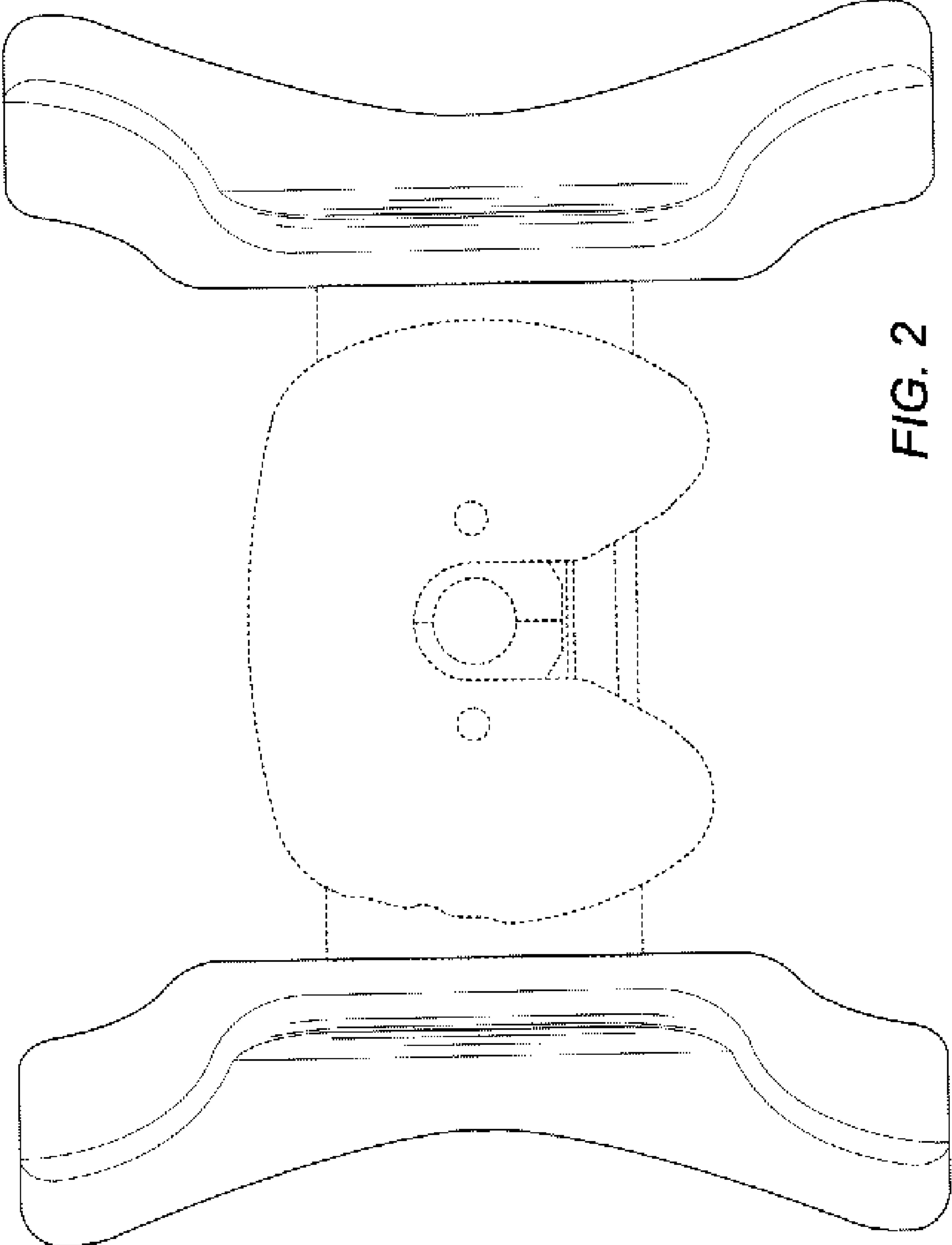


FIG. 2

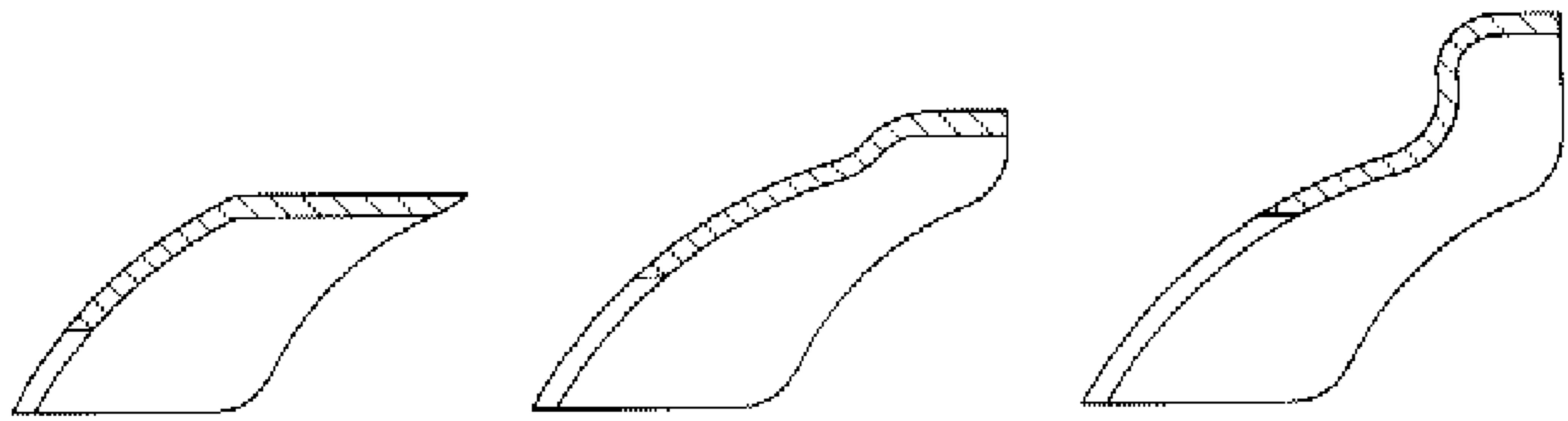


FIG. 7

FIG. 6

FIG. 5

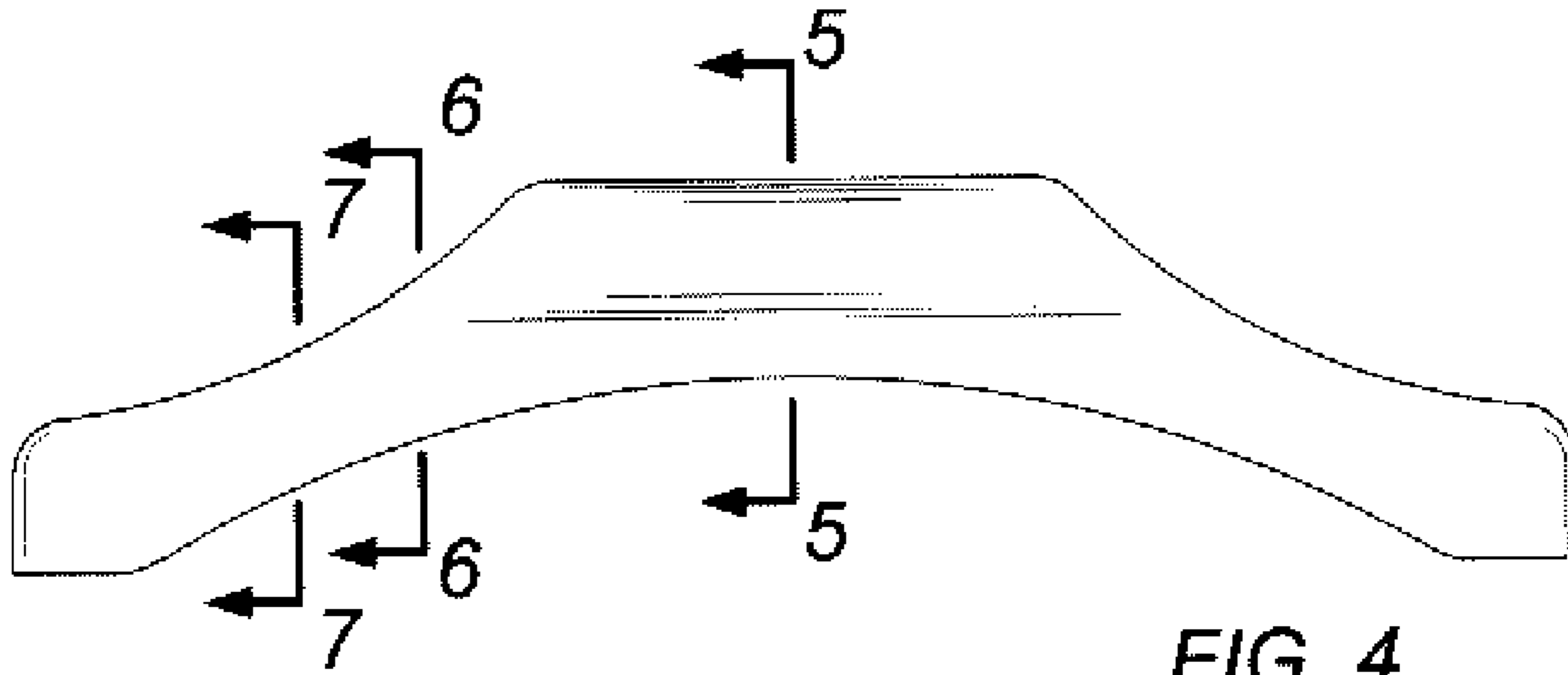


FIG. 4

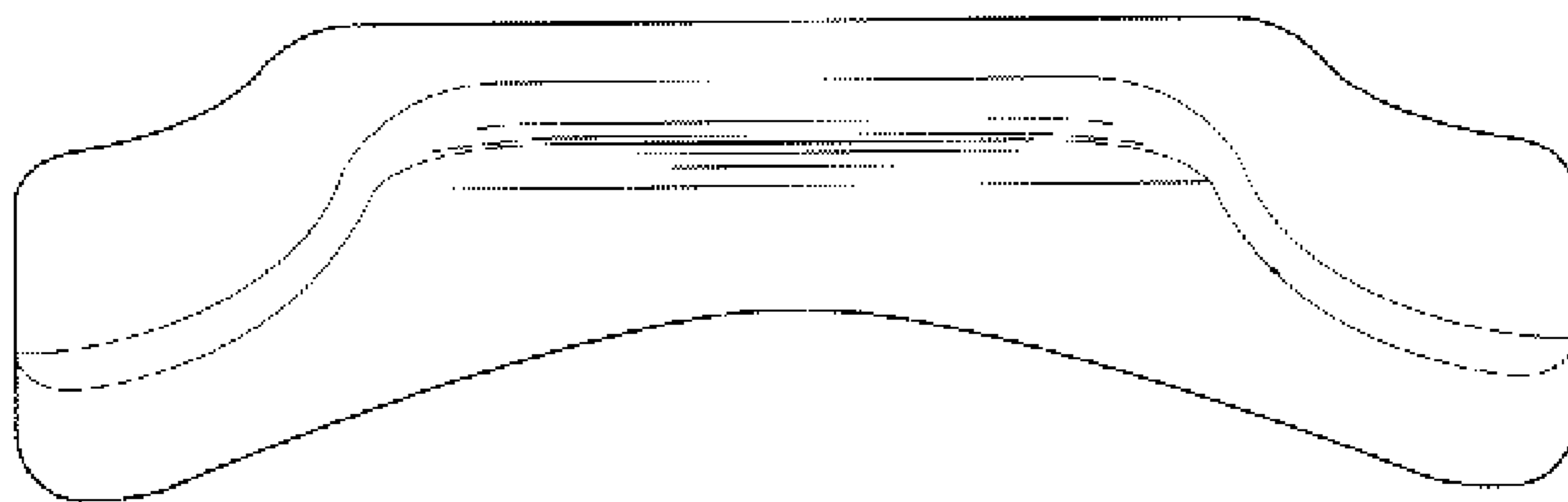


FIG. 3

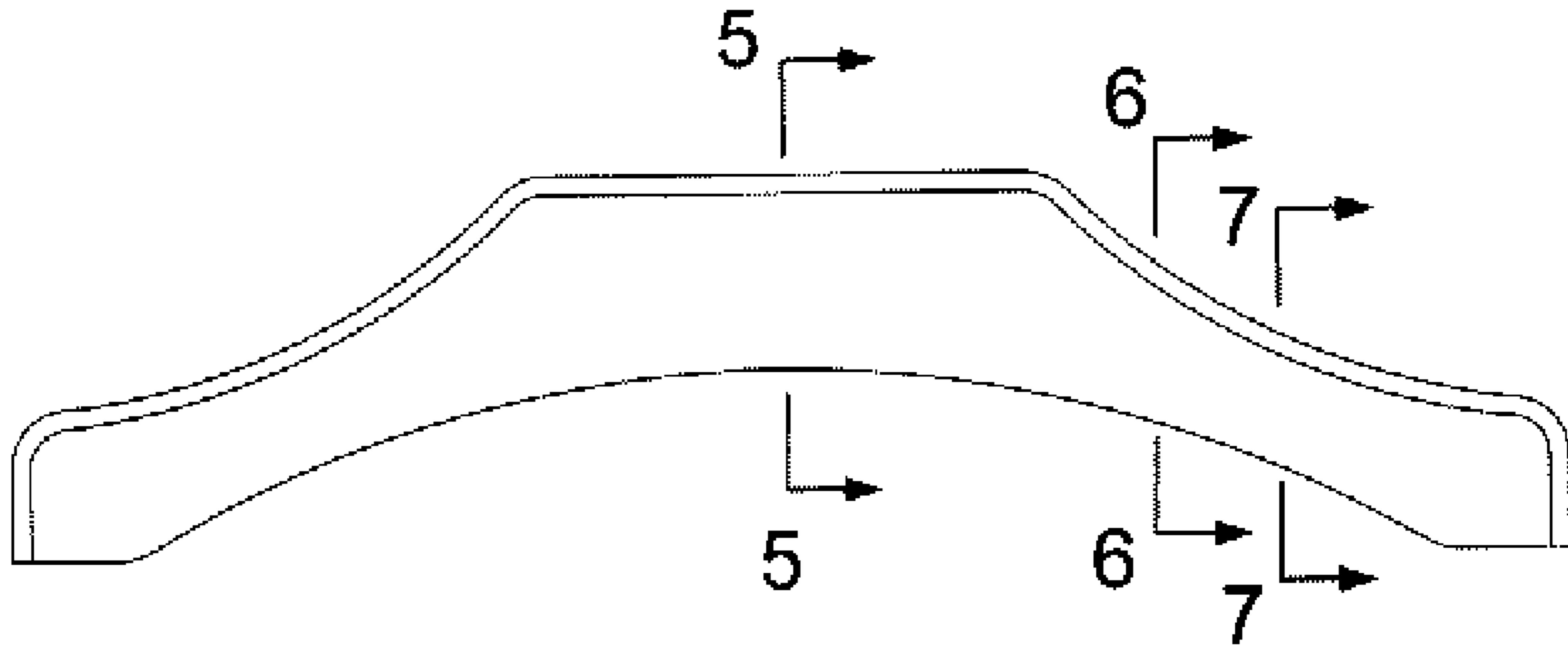


FIG. 8

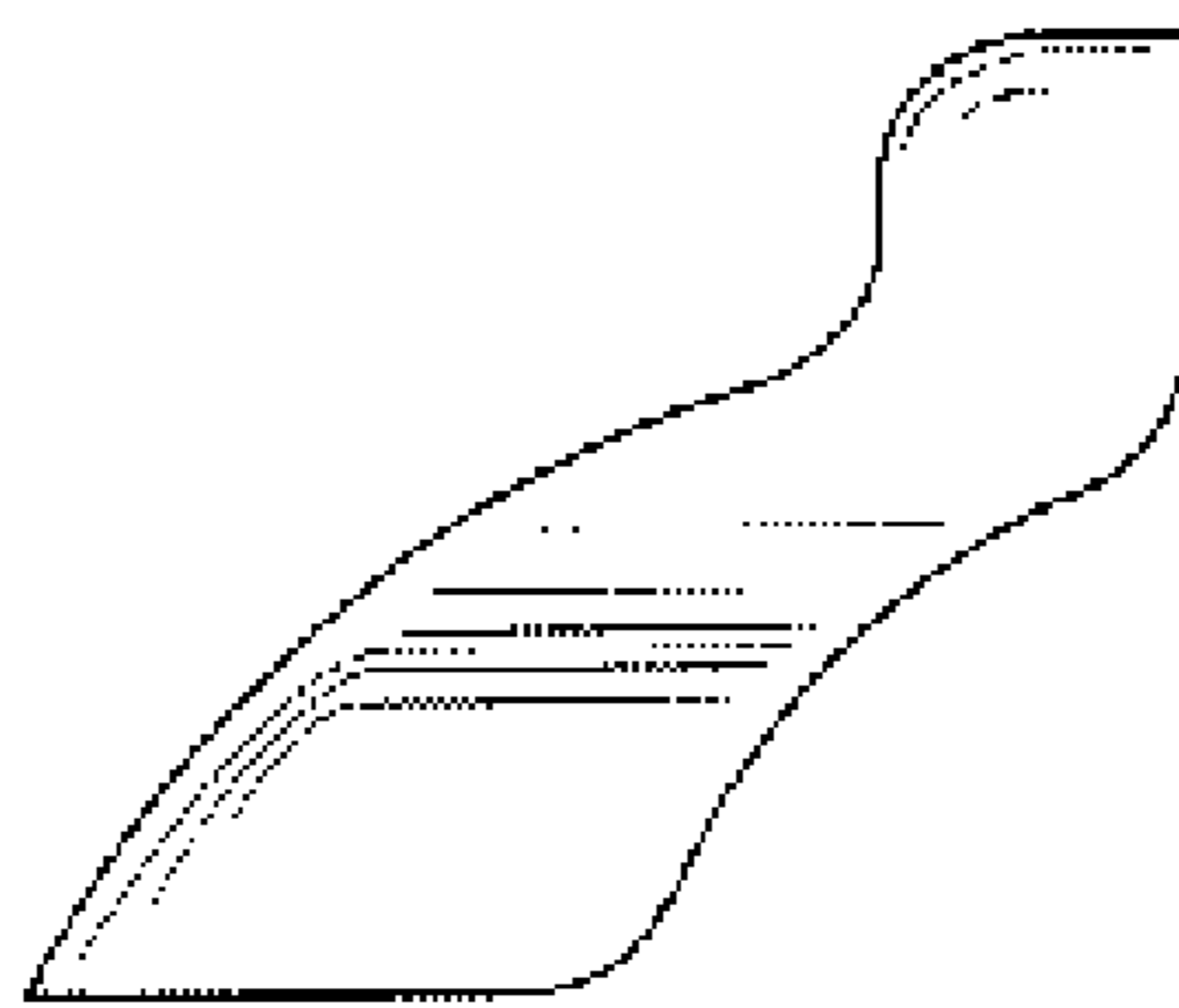


FIG. 9