



US00D572632S

(12) **United States Design Patent**
Willis

(10) **Patent No.:** **US D572,632 S**
(45) **Date of Patent:** **** Jul. 8, 2008**

(54) **FRAME FOR SUPPORT DEVICE**

(76) Inventor: **Phillip Minyard Willis**, 8035 Royal
Saint Georges La., Duluth, GA (US)
30097

(**) Term: **14 Years**

(21) Appl. No.: **29/268,082**

(22) Filed: **Oct. 27, 2006**

Related U.S. Application Data

(63) Continuation of application No. 11/581,762, filed on
Oct. 16, 2006, which is a continuation-in-part of appli-
cation No. 11/343,299, filed on Jan. 31, 2006, which is
a continuation-in-part of application No. 10/680,596,
filed on Oct. 7, 2003, now Pat. No. 7,073,801.

(51) **LOC (8) Cl.** **12-12**

(52) **U.S. Cl.** **D12/130**

(58) **Field of Classification Search** D12/128-133;
296/65.03, 65.04; 224/409; 297/DIG. 4;
280/62, 647-650, 29, 200, 47.38, 250.1,
280/259, 642, 658

See application file for complete search history.

(56) **References Cited**

U.S. PATENT DOCUMENTS

- 2,630,128 A 3/1953 Slater
- 2,685,325 A 8/1954 Webster
- 2,872,967 A 2/1959 Kirkpatrick
- 2,899,968 A 8/1959 Reichenbach
- 2,902,592 A 9/1959 Cole et al.
- 2,910,995 A 11/1959 Jacuzzi
- 3,194,577 A 7/1965 Berlin
- 3,237,940 A 3/1966 Johnson
- 3,273,888 A 9/1966 Burns
- 3,354,893 A 11/1967 Schmerl
- 3,467,117 A 9/1969 Lucibello
- 3,759,544 A 9/1973 Korpela
- 3,778,052 A 12/1973 Andow et al.
- RE28,067 E 7/1974 Hyman
- 3,963,037 A 6/1976 Clark

- 4,018,440 A 4/1977 Deutsch
- 4,046,374 A 9/1977 Breyley
- 4,159,110 A 6/1979 Dodenhoff
- 4,164,354 A 8/1979 Rodaway
- 4,187,869 A 2/1980 Marchetti
- 4,211,309 A 7/1980 Ruggiero
- 4,211,426 A 7/1980 Motloch
- 4,251,105 A 2/1981 Barker
- 4,277,100 A 7/1981 Beougher
- 4,341,381 A 7/1982 Norberg
- 4,342,465 A 8/1982 Stillings
- 4,384,713 A 5/1983 Deutsch et al.
- 4,387,891 A 6/1983 Knochel

(Continued)

FOREIGN PATENT DOCUMENTS

CN 1879585 A 12/2006

Primary Examiner—Charles A. Rademaker
Assistant Examiner—Charles D Hanson
(74) *Attorney, Agent, or Firm*—Malloy & Malloy, P.A.

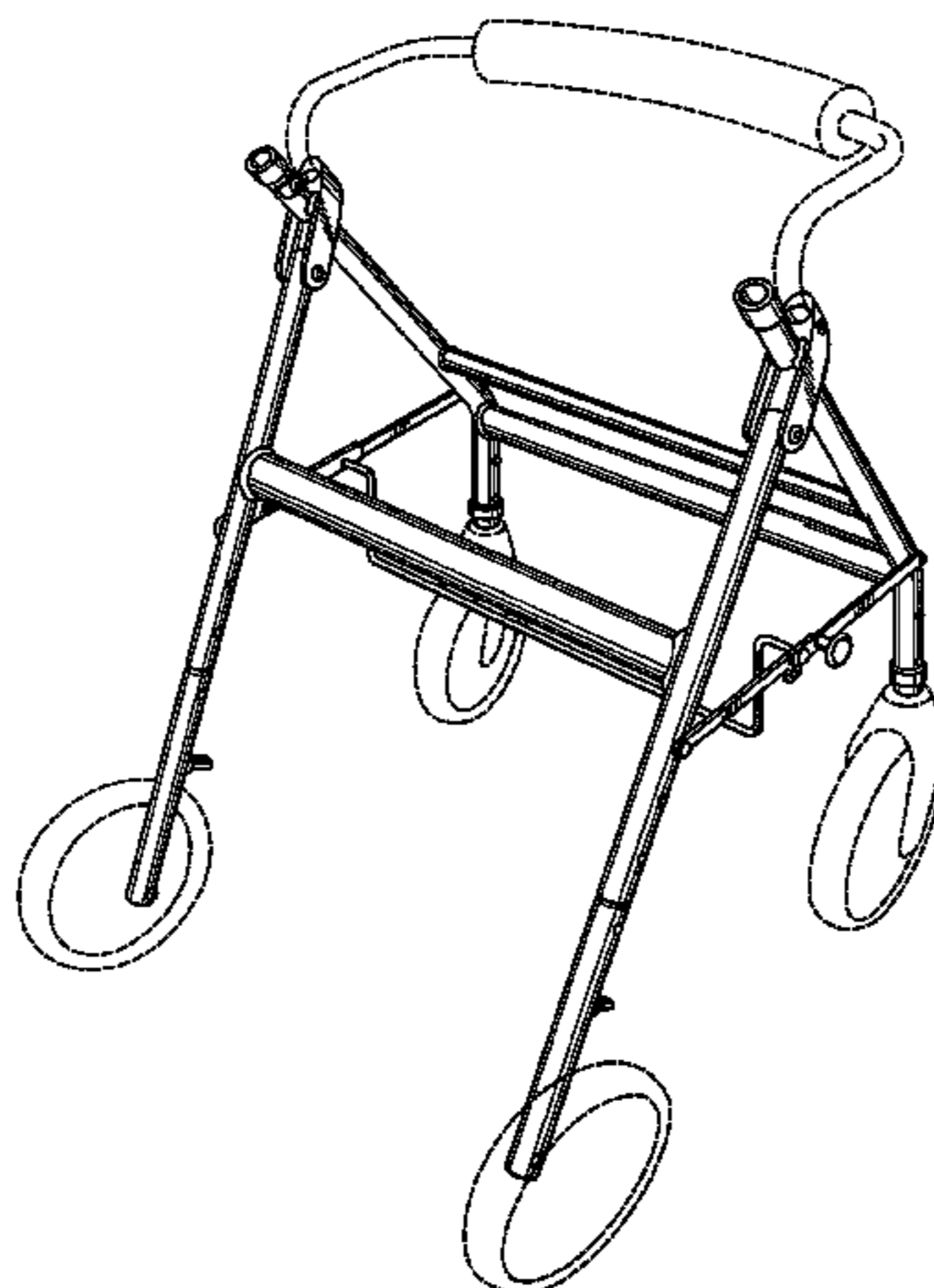
(57) **CLAIM**

The ornamental design for a frame for support device, as shown and described.

DESCRIPTION

FIG. 1 is a front perspective view of a frame for support device, showing my new design;
FIG. 2 is a front view thereof;
FIG. 3 is a left side view thereof;
FIG. 4 is a top view thereof;
FIG. 5 is a right side view thereof;
FIG. 6 is a bottom view thereof; and,
FIG. 7 is a rear view thereof.

1 Claim, 7 Drawing Sheets



US D572,632 S

Page 2

U.S. PATENT DOCUMENTS

4,449,732 A	5/1984	Surot		5,664,460 A	9/1997	Hewson	
4,461,471 A	7/1984	Brastow		5,692,762 A	12/1997	Obitts	
4,510,956 A	4/1985	King		5,716,063 A	2/1998	Doyle et al.	
4,648,619 A	3/1987	Jungnell et al.		5,772,234 A	6/1998	Luo	
D289,507 S	4/1987	Danielsson		5,845,664 A	12/1998	Ryder et al.	
D293,663 S	1/1988	Erfurth		5,865,065 A	2/1999	Chiu	
4,765,355 A	8/1988	Kent		5,865,457 A	2/1999	Knabusch et al.	
4,805,931 A	2/1989	Slasor		5,878,625 A	3/1999	Hu	
4,809,725 A	3/1989	Champigny		5,896,779 A	4/1999	Biersteker et al.	
4,869,280 A	9/1989	Ewing		6,085,766 A	7/2000	Gearly	
4,907,794 A	3/1990	Rose		6,338,493 B1	1/2002	Wohlgemuth et al.	
4,932,090 A	6/1990	Johansson		6,374,841 B1	4/2002	Yamamoto et al.	
D310,646 S	9/1990	Rose		6,378,883 B1 *	4/2002	Epstein 280/250.1	
4,962,781 A	10/1990	Kanbar		6,494,469 B1	12/2002	Hara et al.	
D312,061 S	11/1990	Smith		6,516,821 B1	2/2003	Uemura	
5,011,104 A	4/1991	Fang		D481,336 S *	10/2003	Wu D12/130	
5,020,560 A	6/1991	Turbeville		6,659,478 B2	12/2003	Hallgrimsson et al.	
5,046,748 A *	9/1991	Oat-Judge 280/47.34		6,688,633 B2	2/2004	van't Schip	
5,060,967 A	10/1991	Hulterstrum		6,695,324 B1	2/2004	Wu	
5,072,958 A	12/1991	Young		6,729,342 B2	5/2004	Serhan	
5,074,574 A	12/1991	Carwin		6,834,660 B1	12/2004	Van Wart, Jr.	
5,139,040 A	8/1992	Kelly		6,837,503 B2	1/2005	Chen et al.	
D329,833 S	9/1992	Andersson et al.		6,854,754 B1	2/2005	Easley, Jr.	
5,172,715 A	12/1992	Webb		6,863,296 B2	3/2005	Yoshie et al.	
5,244,225 A	9/1993	Frycek		6,886,575 B2	5/2005	Diamond	
5,348,336 A	9/1994	Fernie et al.		7,011,335 B2	3/2006	Kight	
5,364,120 A	11/1994	Shimansky		7,052,030 B2 *	5/2006	Serhan 280/304.1	
5,409,028 A	4/1995	Lee		7,066,484 B2	6/2006	Willis et al.	
5,417,472 A	5/1995	Elvinsson		7,073,801 B2	7/2006	Sanders et al.	
5,419,571 A	5/1995	Vaughan		7,179,200 B1 *	2/2007	Wu 482/51	
D360,174 S *	7/1995	Kjell et al. D12/130		2003/0047203 A1	3/2003	Lah	
5,451,193 A	9/1995	Pickard		2003/0189311 A1	10/2003	Chen et al.	
5,482,070 A	1/1996	Kelly		2006/0254632 A1	11/2006	Willis	
D367,833 S *	3/1996	Ahlbertz D12/130		2006/0254633 A1	11/2006	Willis	
5,558,358 A	9/1996	Johnson		2007/0018426 A1	1/2007	Willis	
5,586,352 A	12/1996	O'Brien et al.		2007/0096436 A1	5/2007	Willis	
5,603,517 A	2/1997	Lorman		2007/0152416 A1	7/2007	Willis	
5,647,602 A	7/1997	Nevin					

* cited by examiner

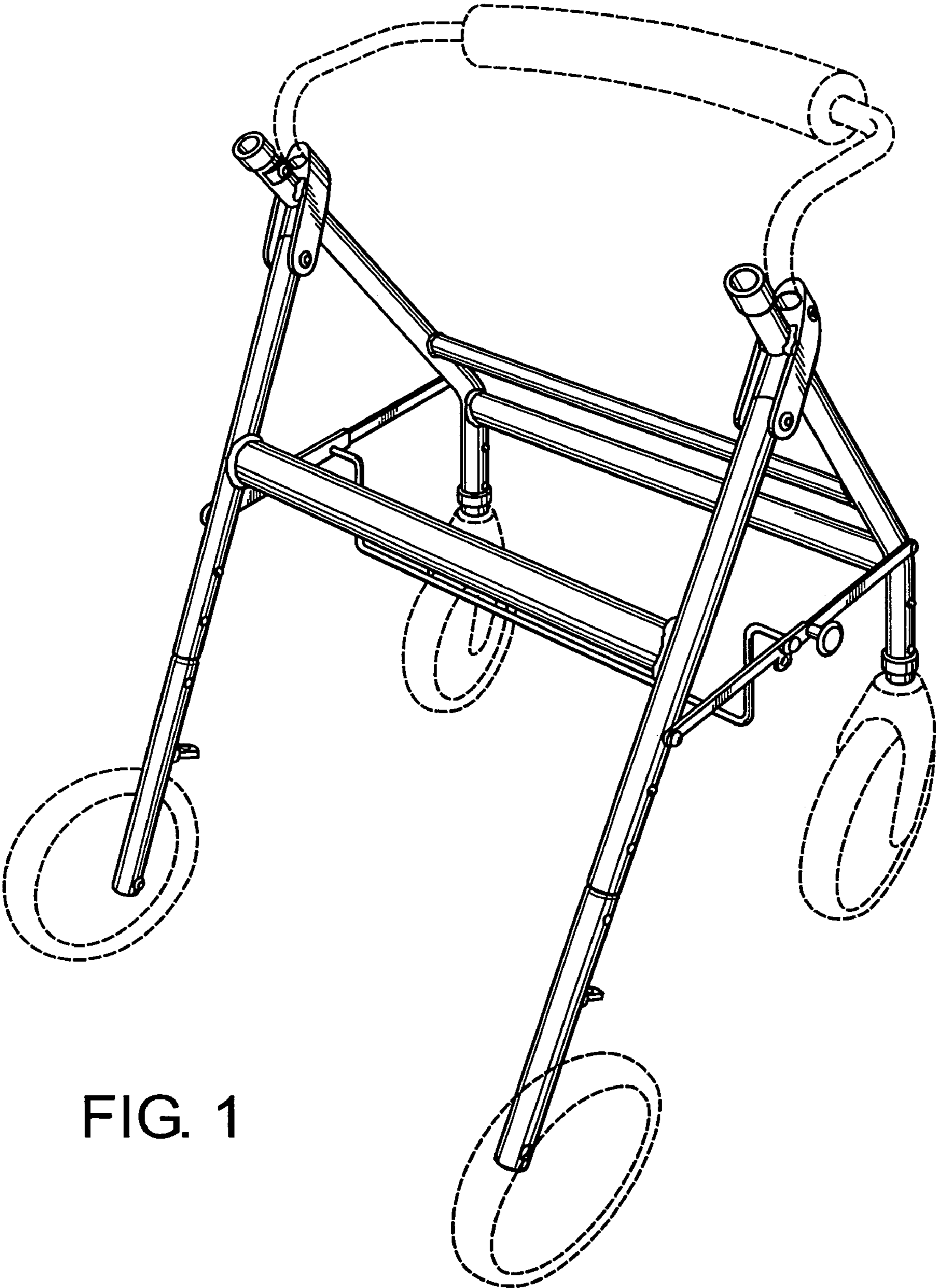


FIG. 1

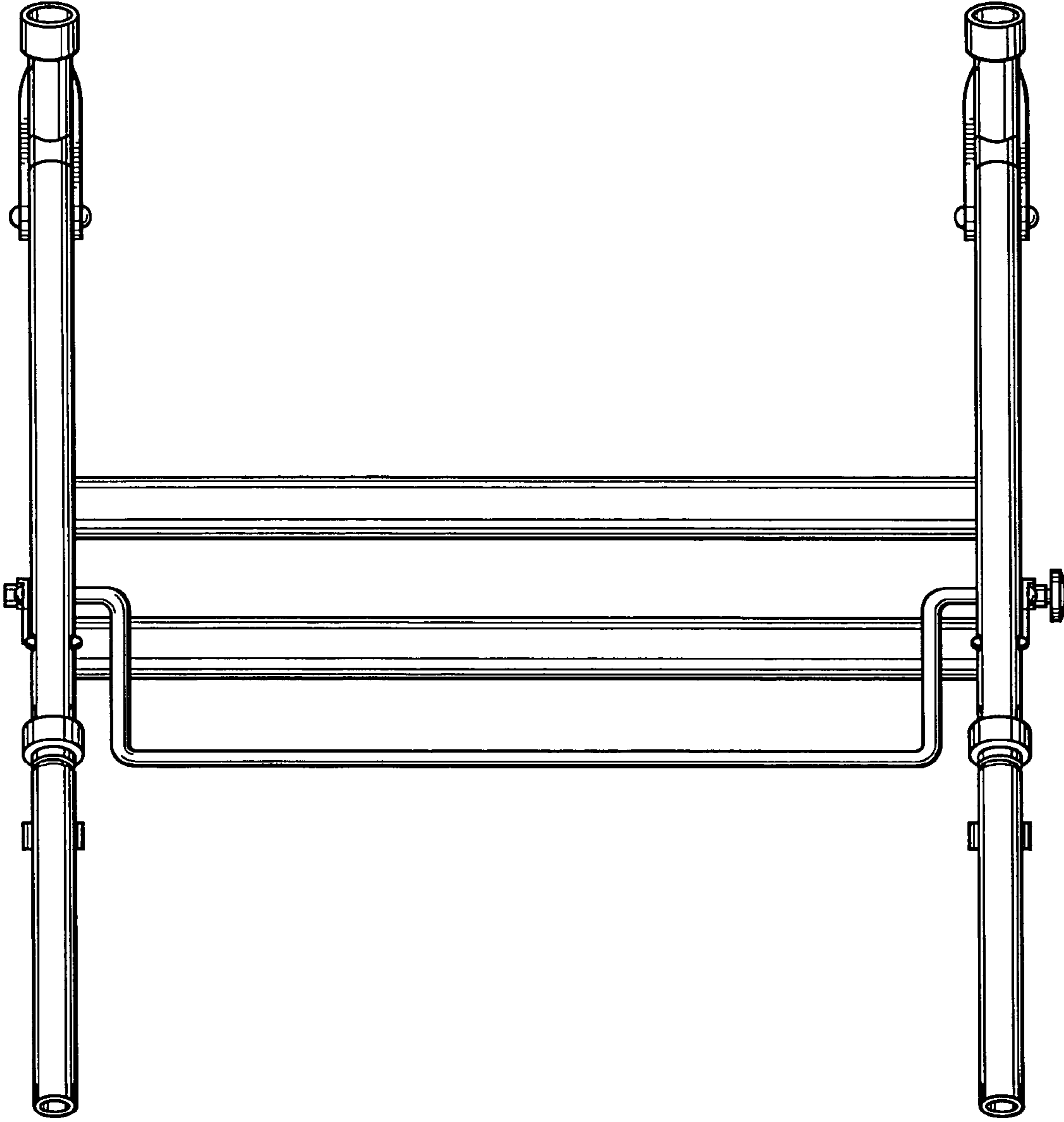


FIG. 2

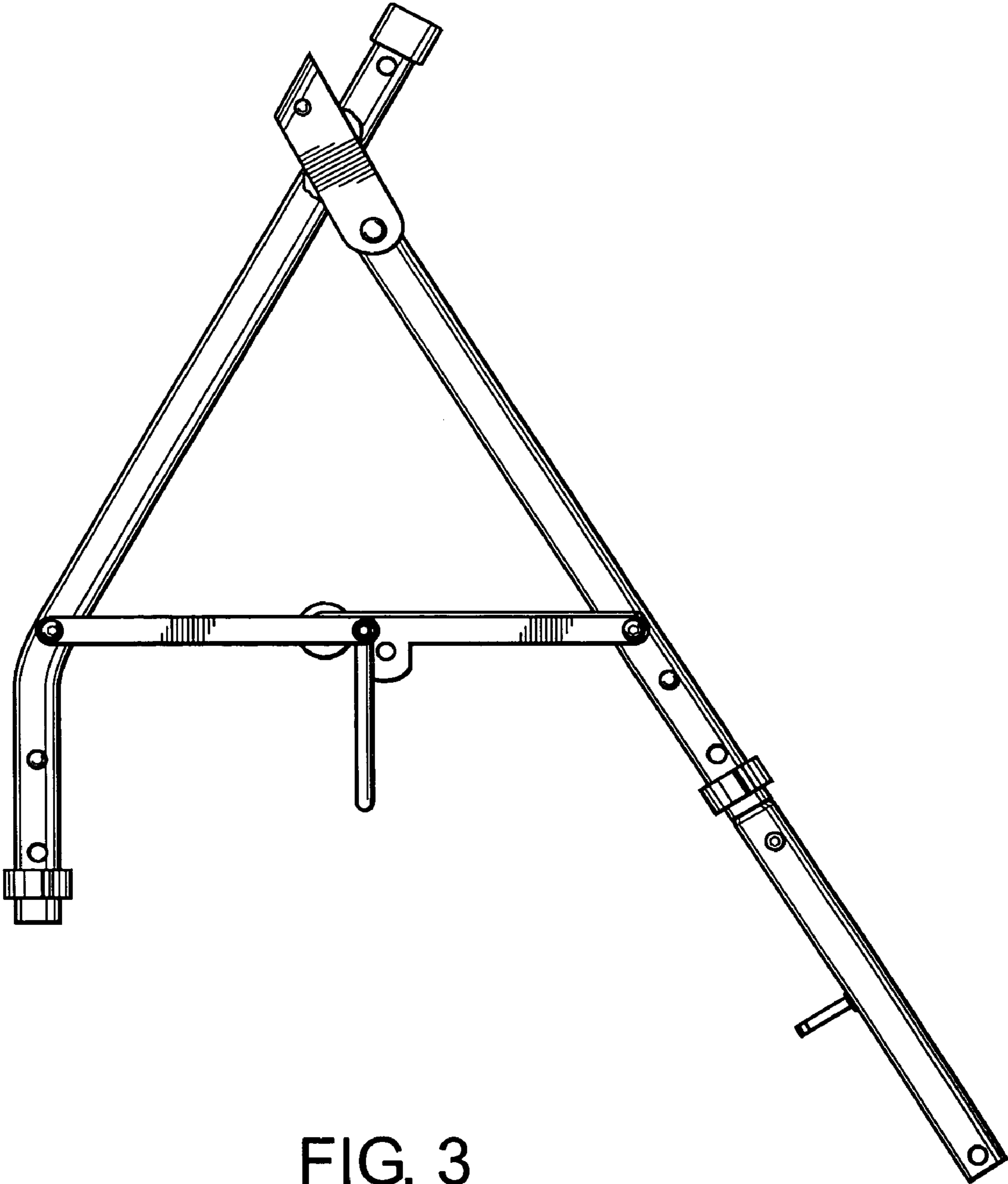


FIG. 3

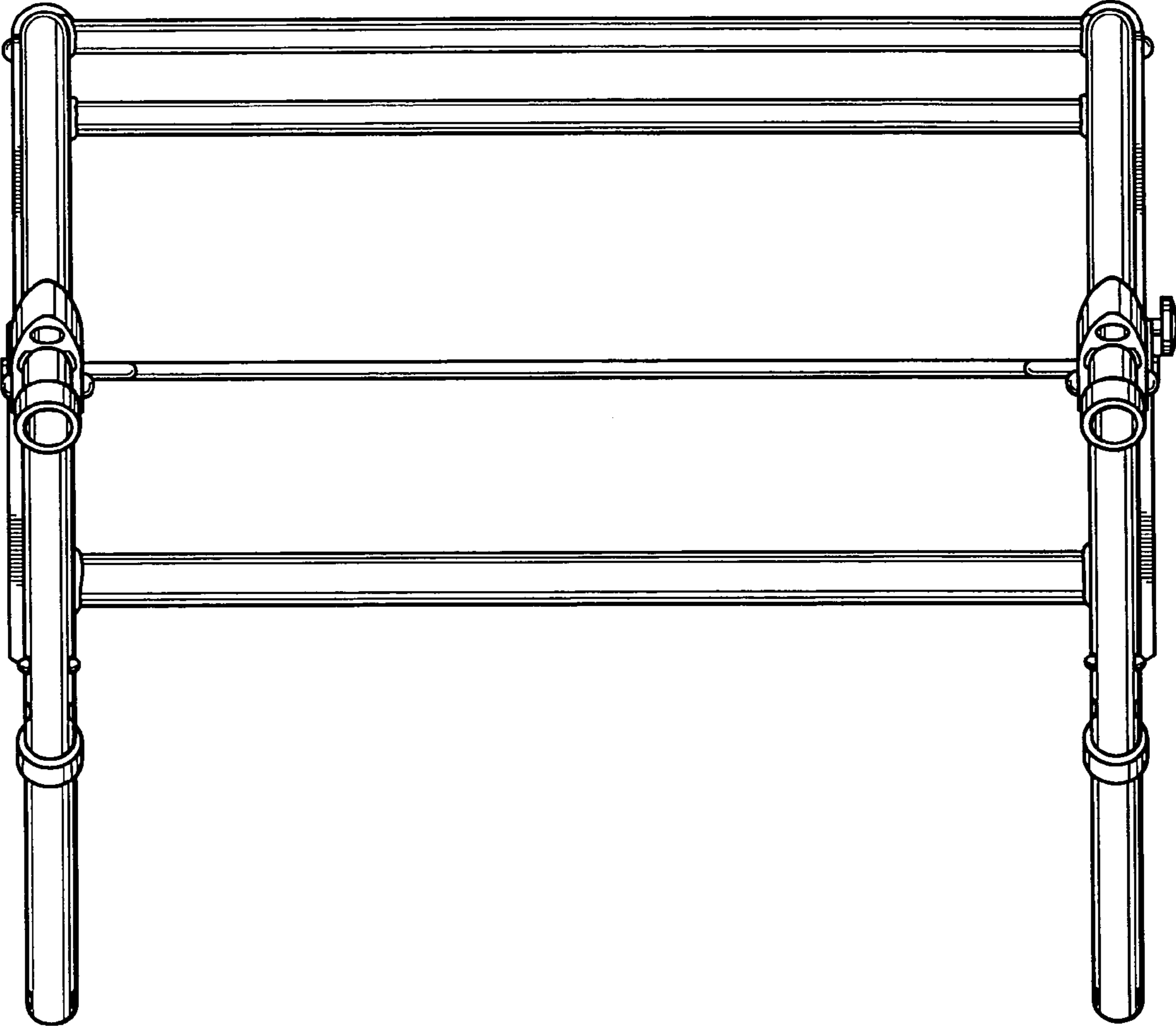


FIG. 4

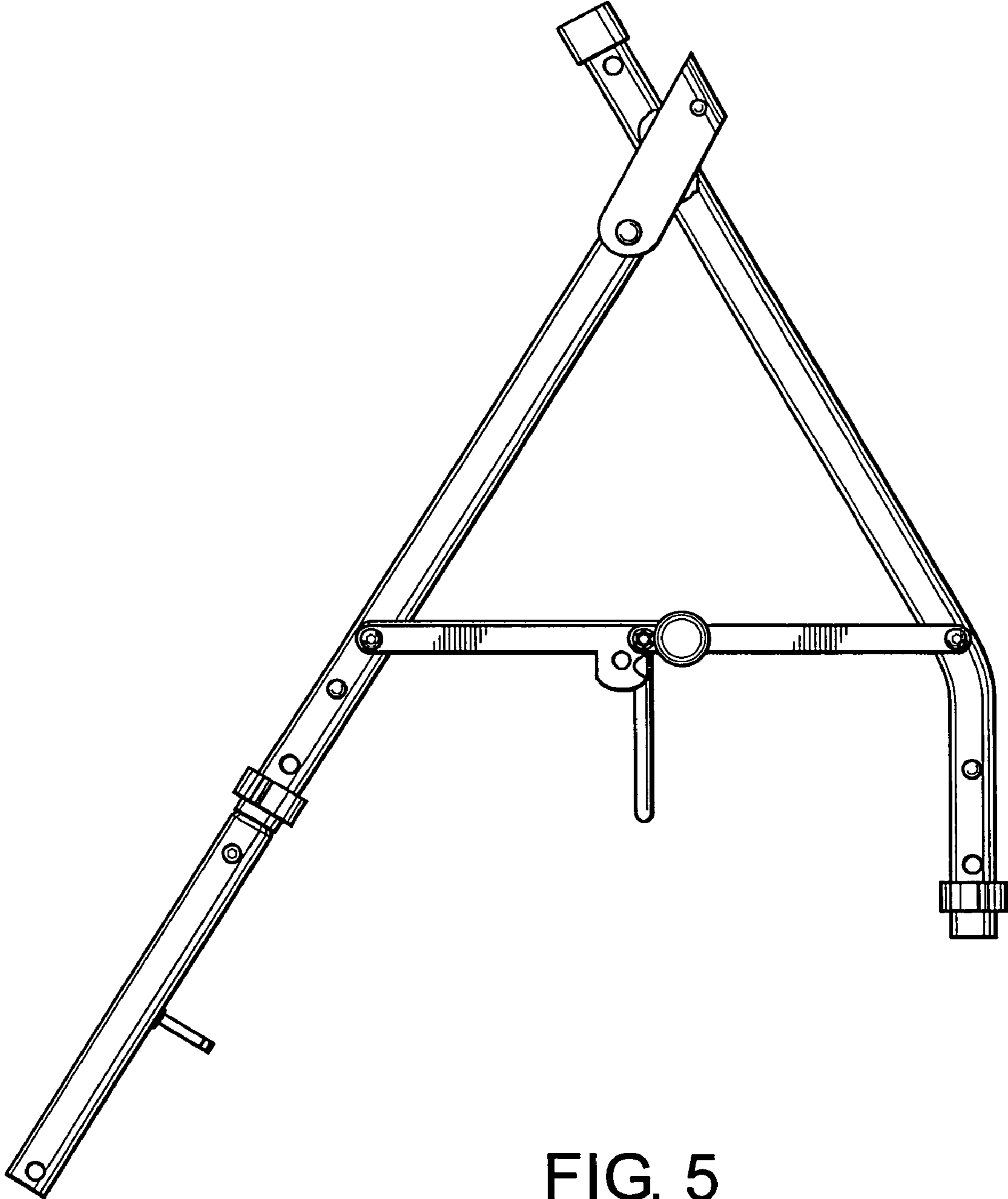


FIG. 5

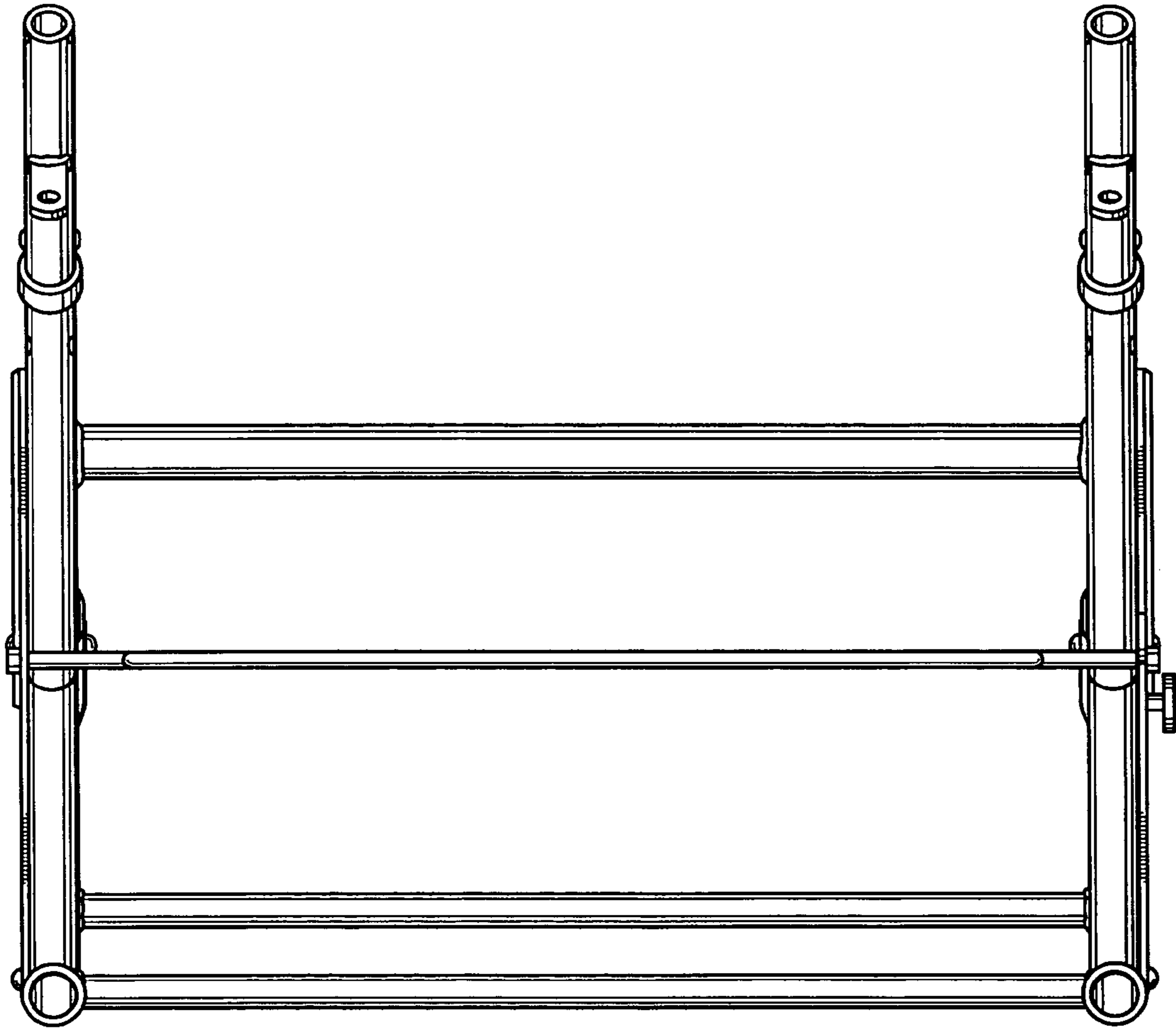


FIG. 6

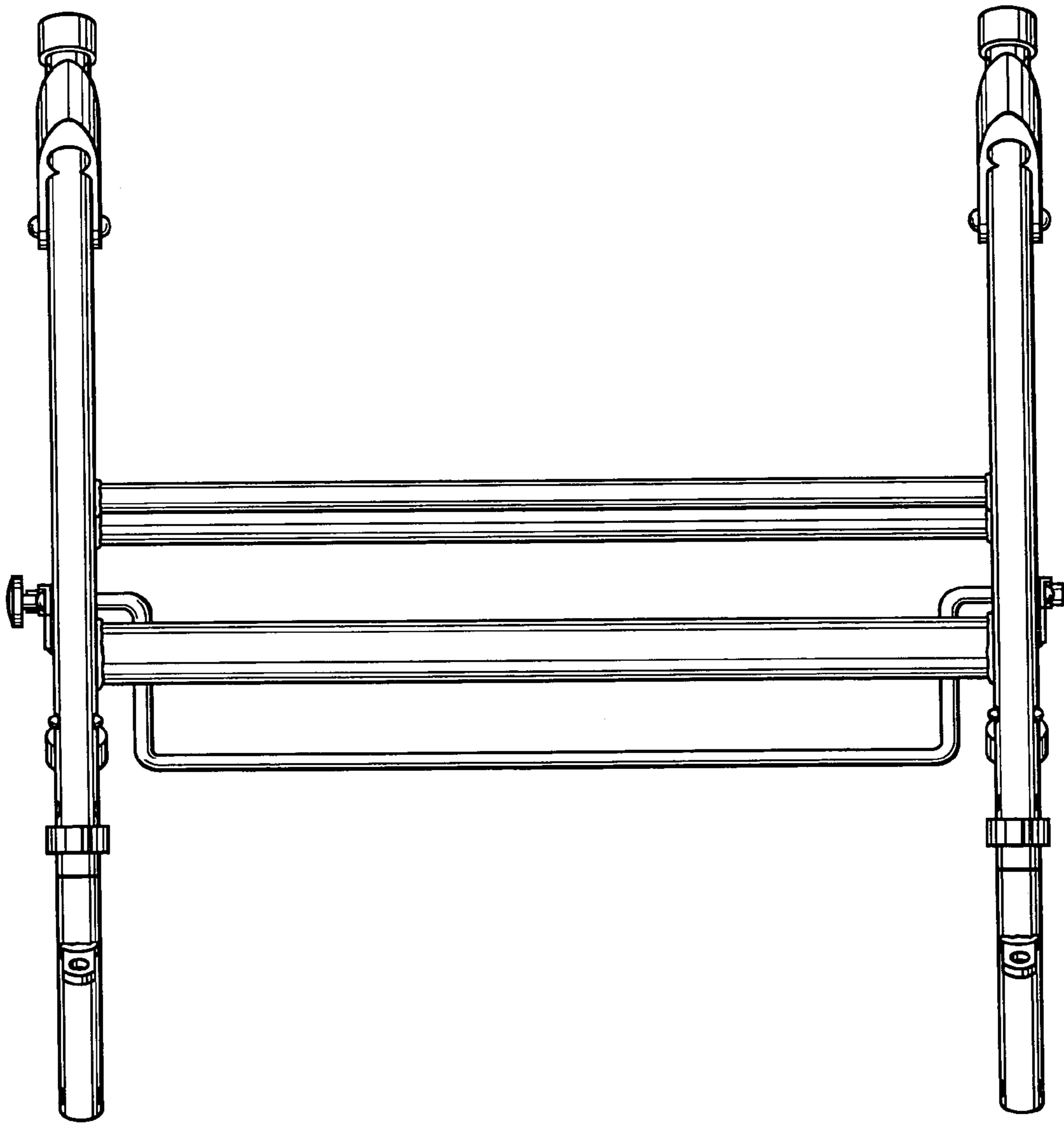


FIG. 7