



US00D572629S

(12) **United States Design Patent**
Kawagishi

(10) **Patent No.:** **US D572,629 S**
(45) **Date of Patent:** **** Jul. 8, 2008**

(54) **MOTORCYCLE**

D525,919 S * 8/2006 Sugimoto D12/110

(75) Inventor: **Masayuki Kawagishi**, Hamamatsu (JP)

* cited by examiner

(73) Assignee: **Suzuki Motor Corporation**,
Hamamatsu-shi, Shizuoka-Pref. (JP)

Primary Examiner—Cathron Brooks
Assistant Examiner—Linda Brooks
(74) *Attorney, Agent, or Firm*—Foley Hoag LLP; Dana M. Gordon

(**) Term: **14 Years**

(21) Appl. No.: **29/275,668**

(57) **CLAIM**

(22) Filed: **Jan. 3, 2007**

The ornamental design for a motorcycle, as shown and described.

(30) **Foreign Application Priority Data**

Jul. 5, 2006 (JP) 2006-017696

DESCRIPTION

(51) **LOC (8) Cl.** **12-11**

FIG. 1 is a front view of a motorcycle showing my new design;

(52) **U.S. Cl.** **D12/110**

FIG. 2 is a rear elevational view thereof;

(58) **Field of Classification Search** D12/110;

FIG. 3 is a right side elevational view thereof;

180/219, 220, 225, 229

FIG. 4 is a left side elevational view thereof;

See application file for complete search history.

FIG. 5 is a top view thereof;

(56) **References Cited**

FIG. 6 is a front perspective view of the right side thereof;

U.S. PATENT DOCUMENTS

FIG. 7 is a front perspective view of the left side thereof;

D394,027 S * 5/1998 Ban et al. D12/110

FIG. 8 is a rear perspective view of the right side thereof; and,

D395,621 S * 6/1998 Nishino D12/110

FIG. 9 is a rear perspective view of the left side thereof.

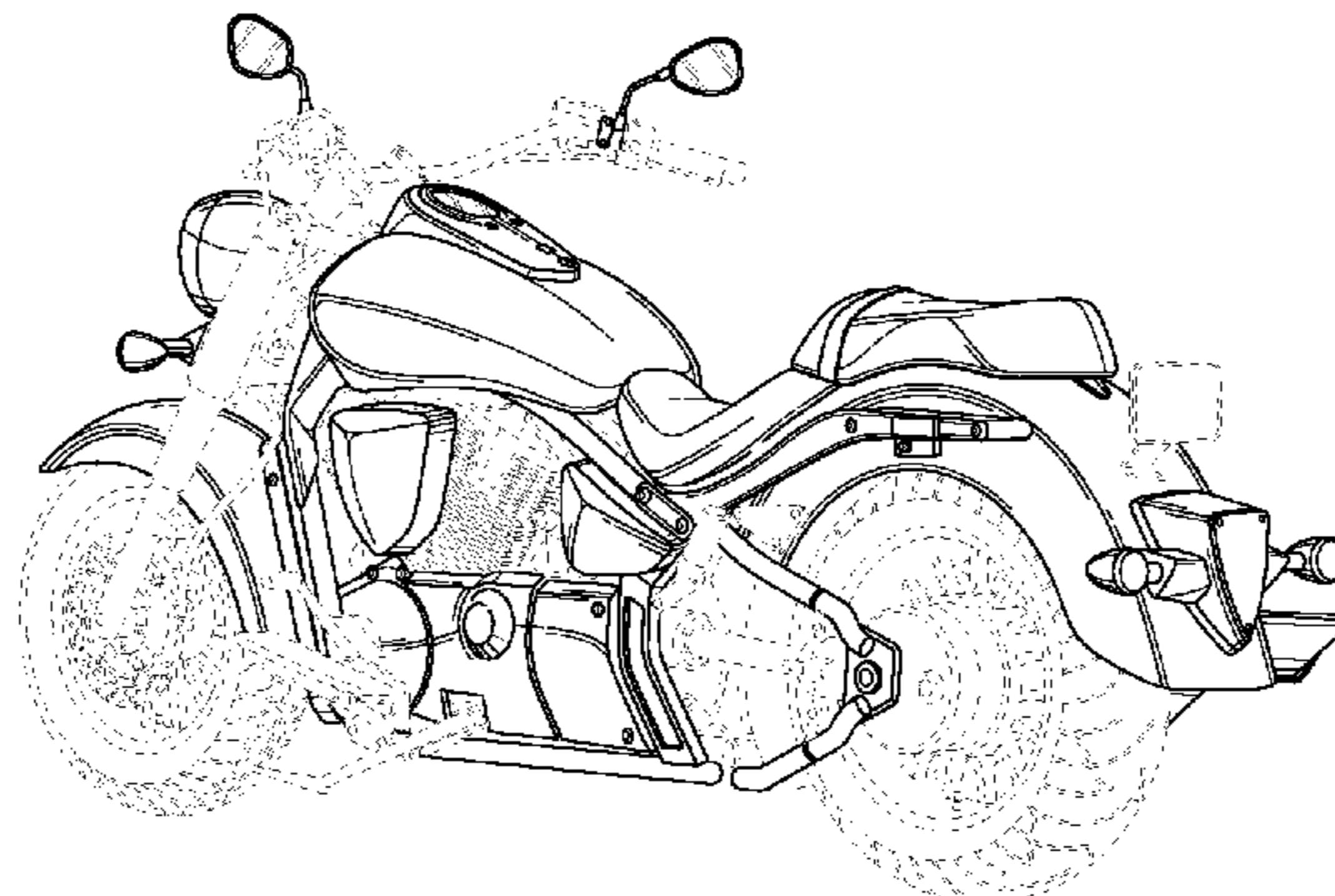
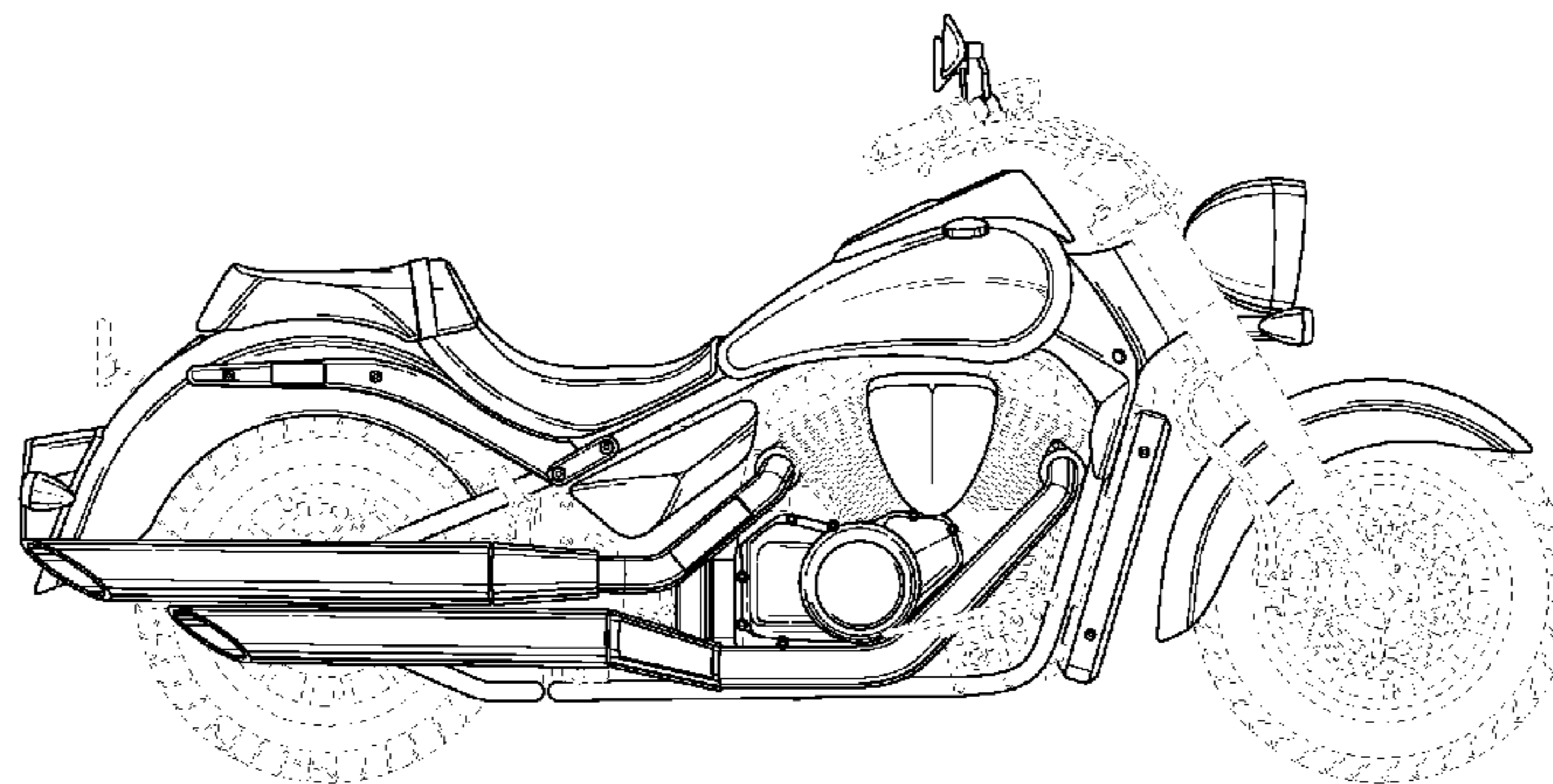
D439,868 S * 4/2001 Sugimoto D12/110

The broken lines shown are for illustrative purposes only and form no part of the claimed design.

D440,189 S * 4/2001 Ban et al. D12/110

D470,799 S * 2/2003 Yamaguchi et al. D12/110

1 Claim, 9 Drawing Sheets



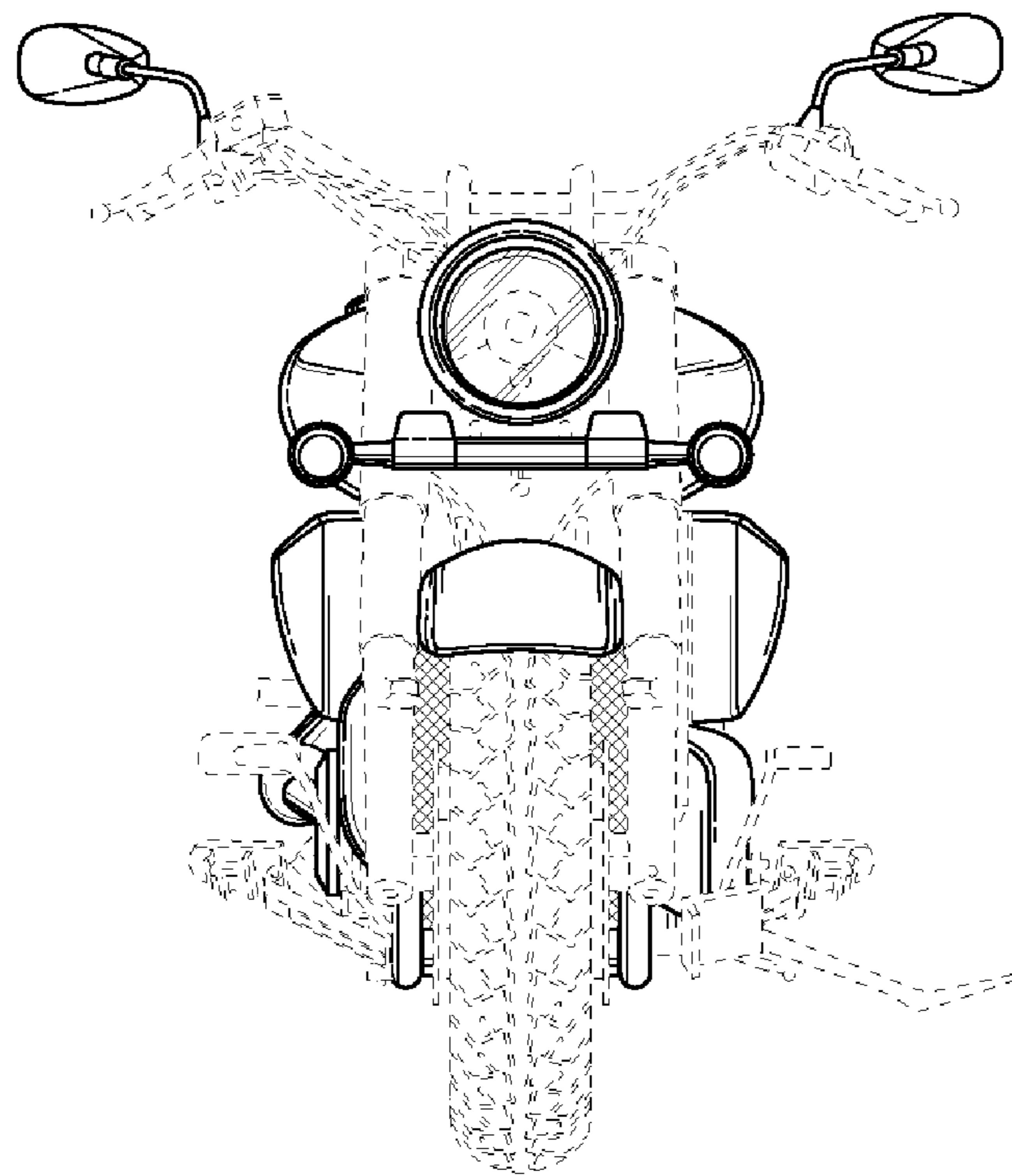


Fig. 1

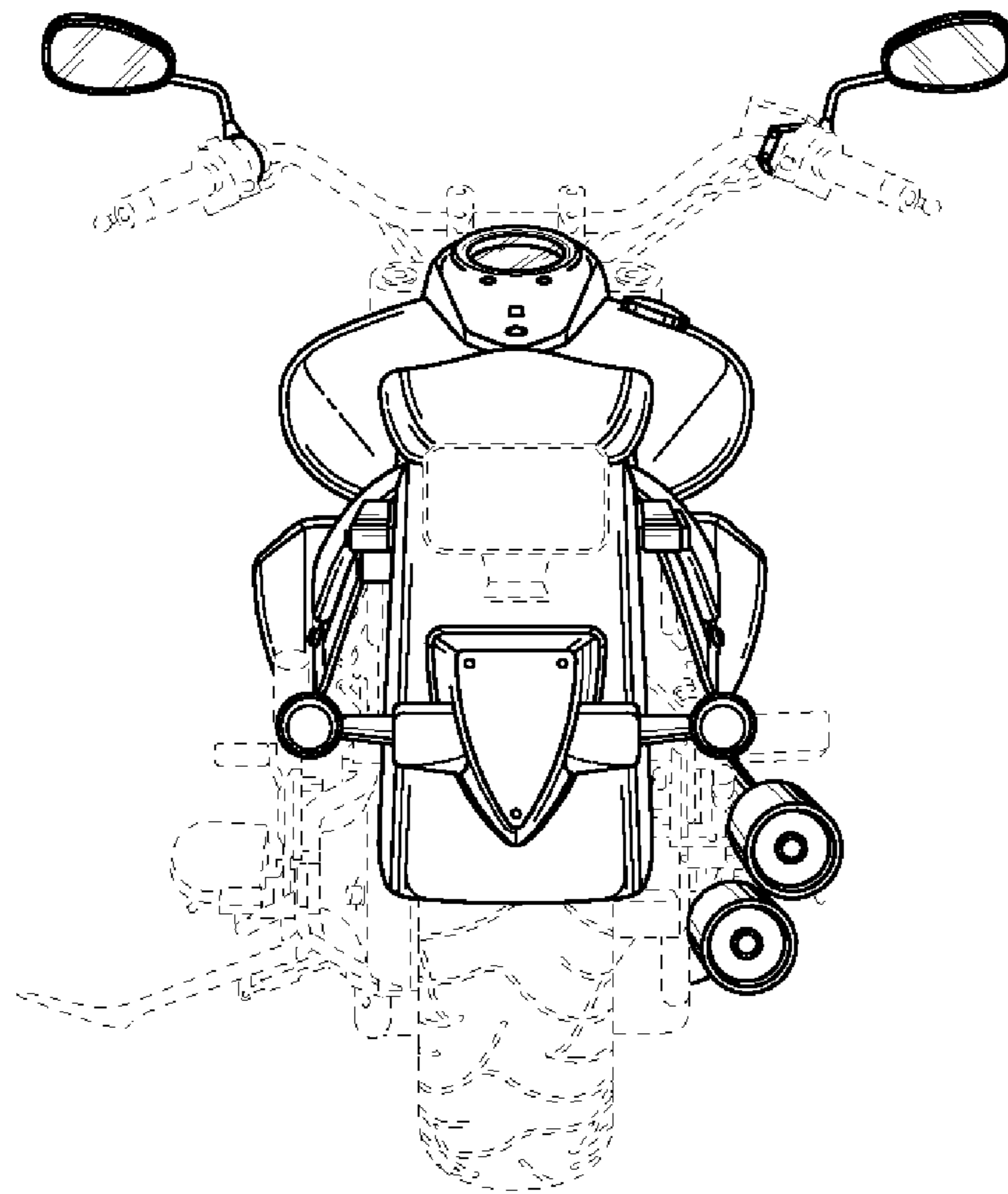


Fig. 2

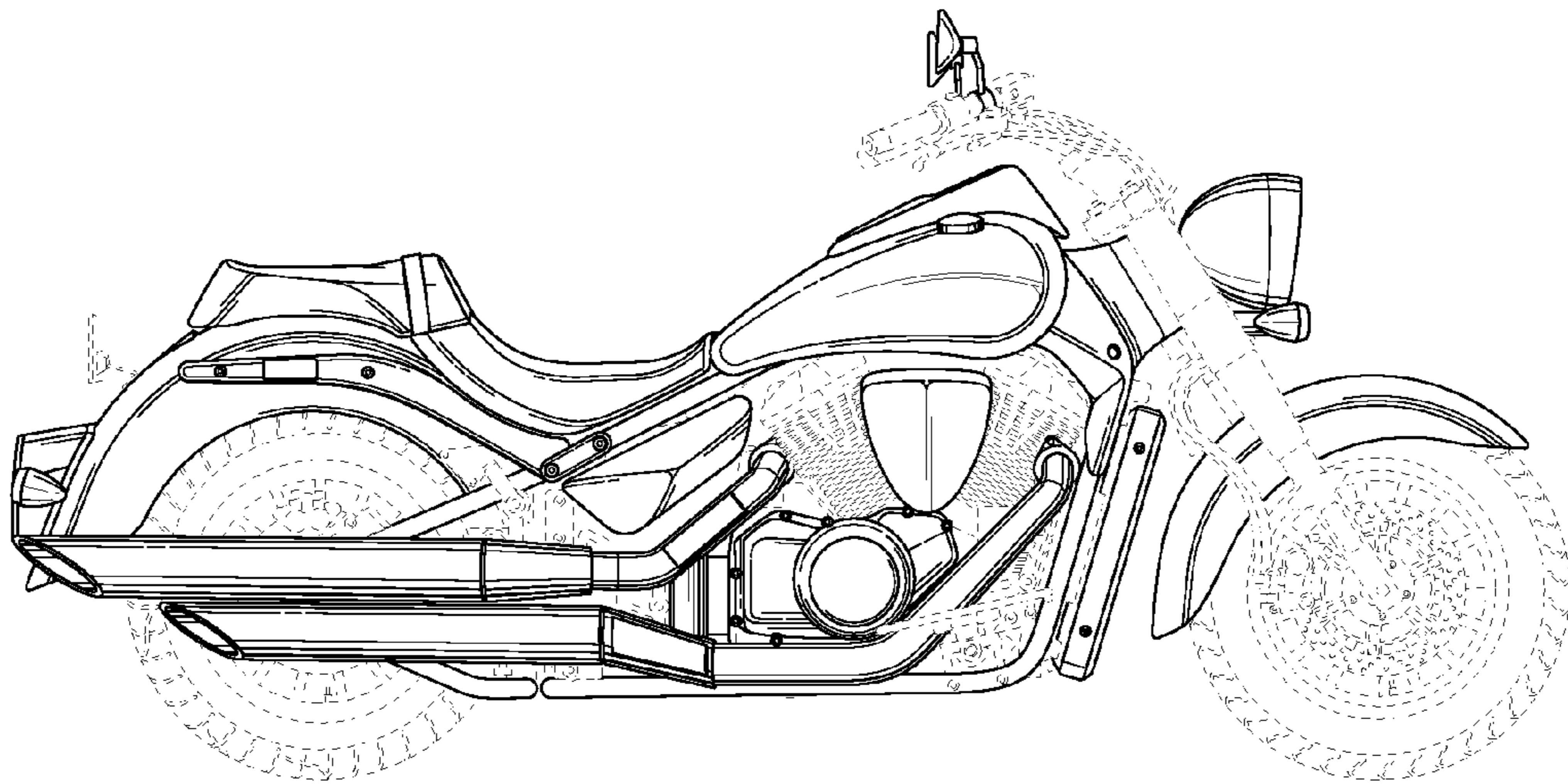


Fig. 3

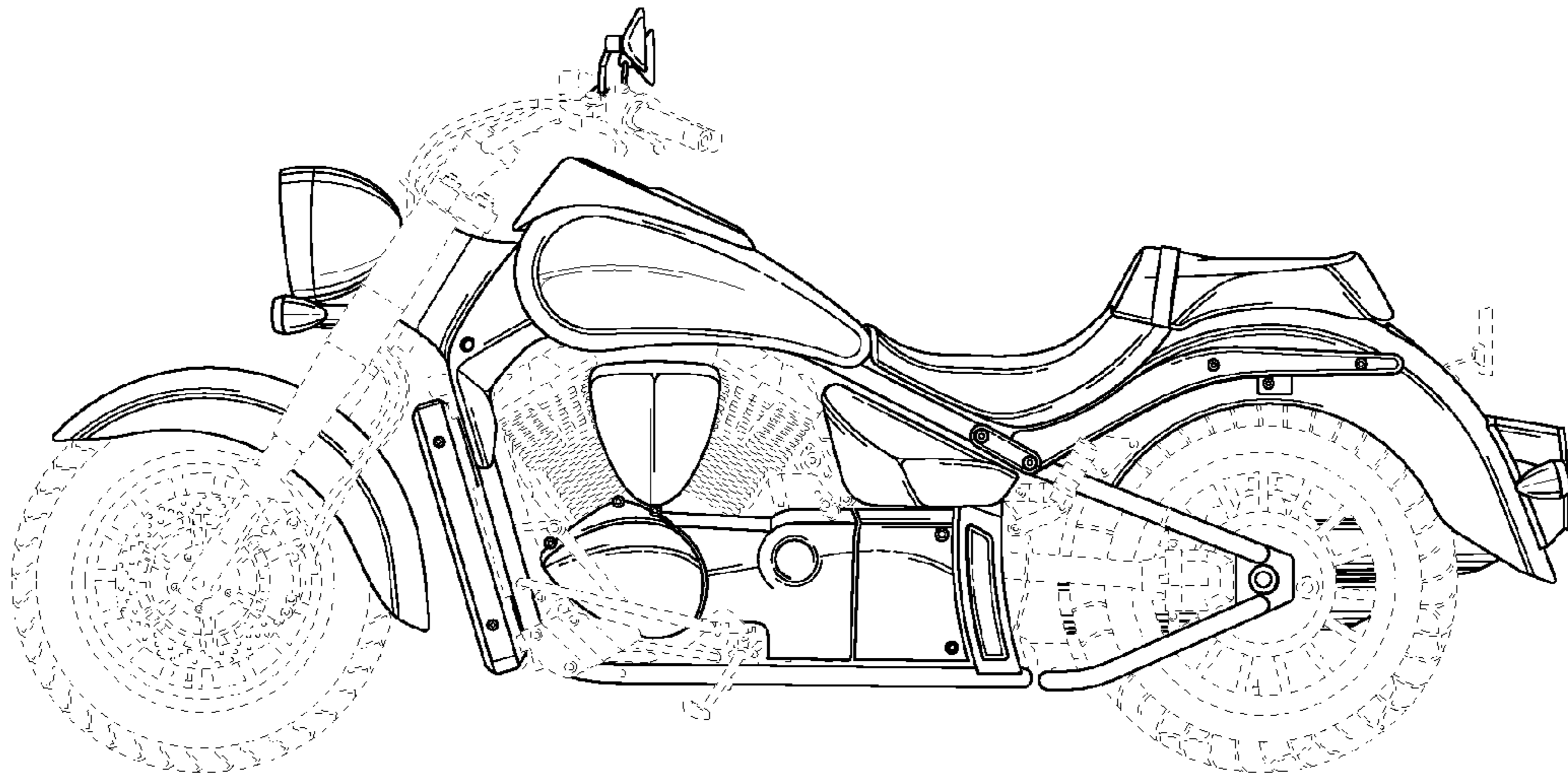


Fig. 4

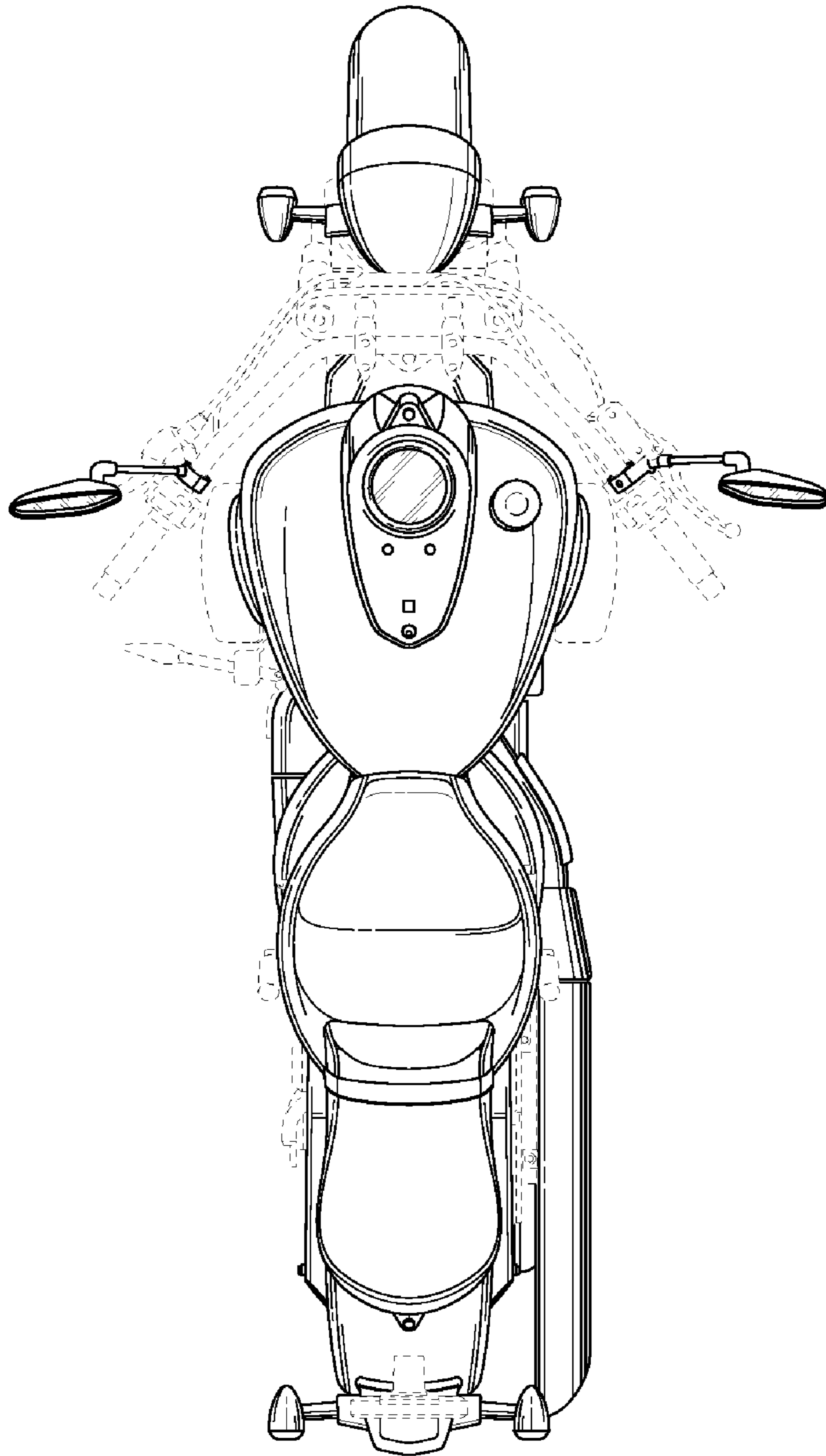


Fig. 5

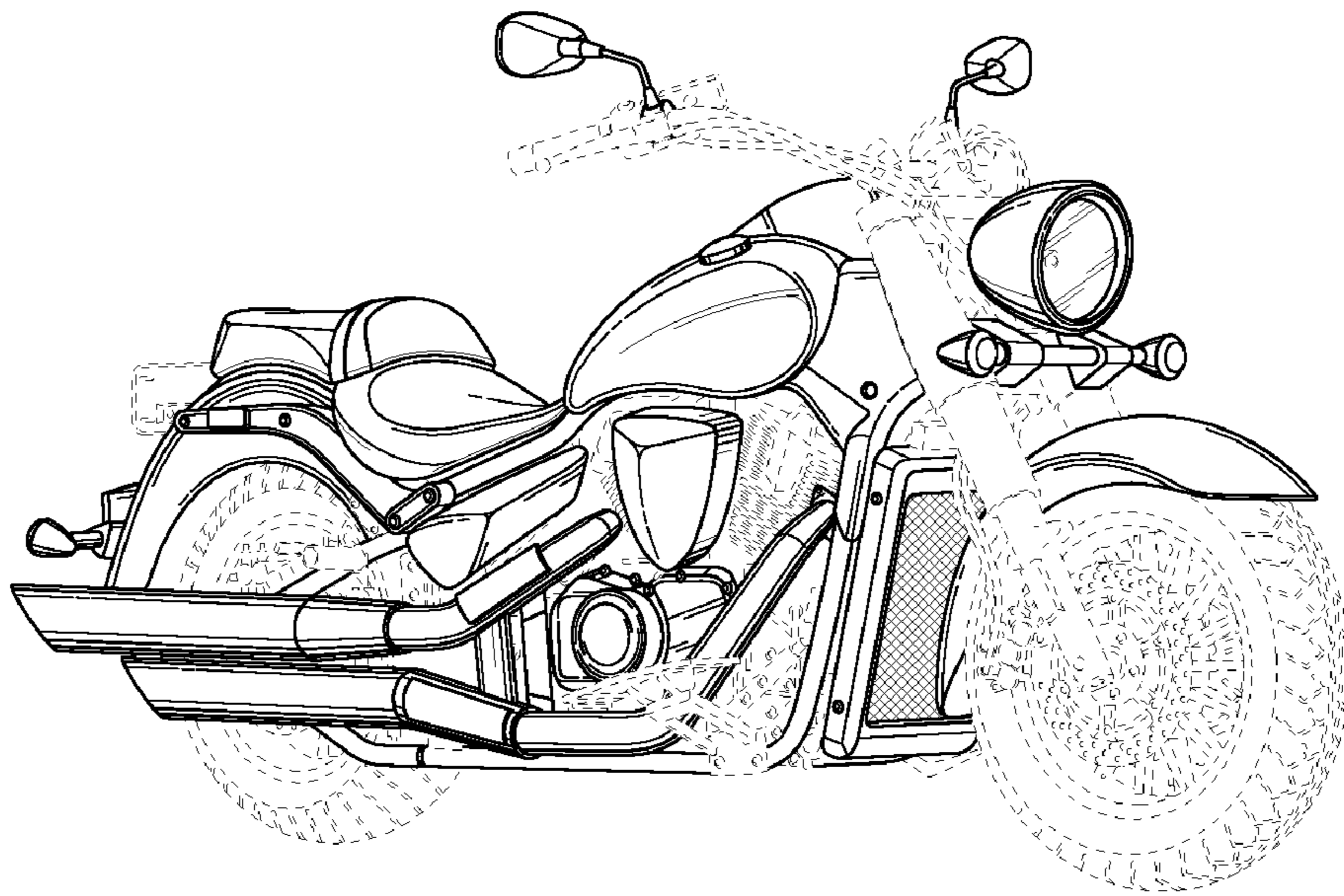


Fig. 6

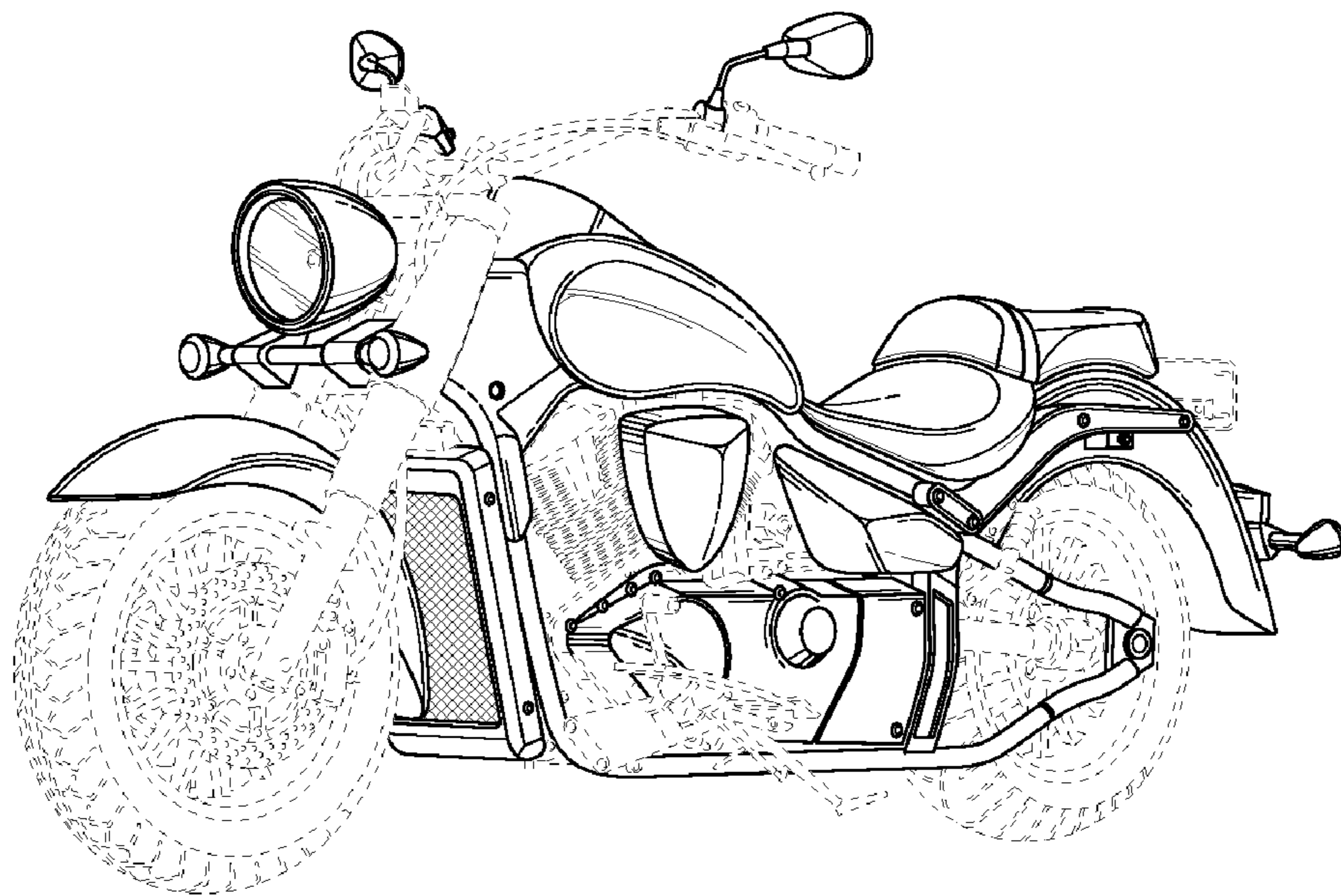


Fig. 7

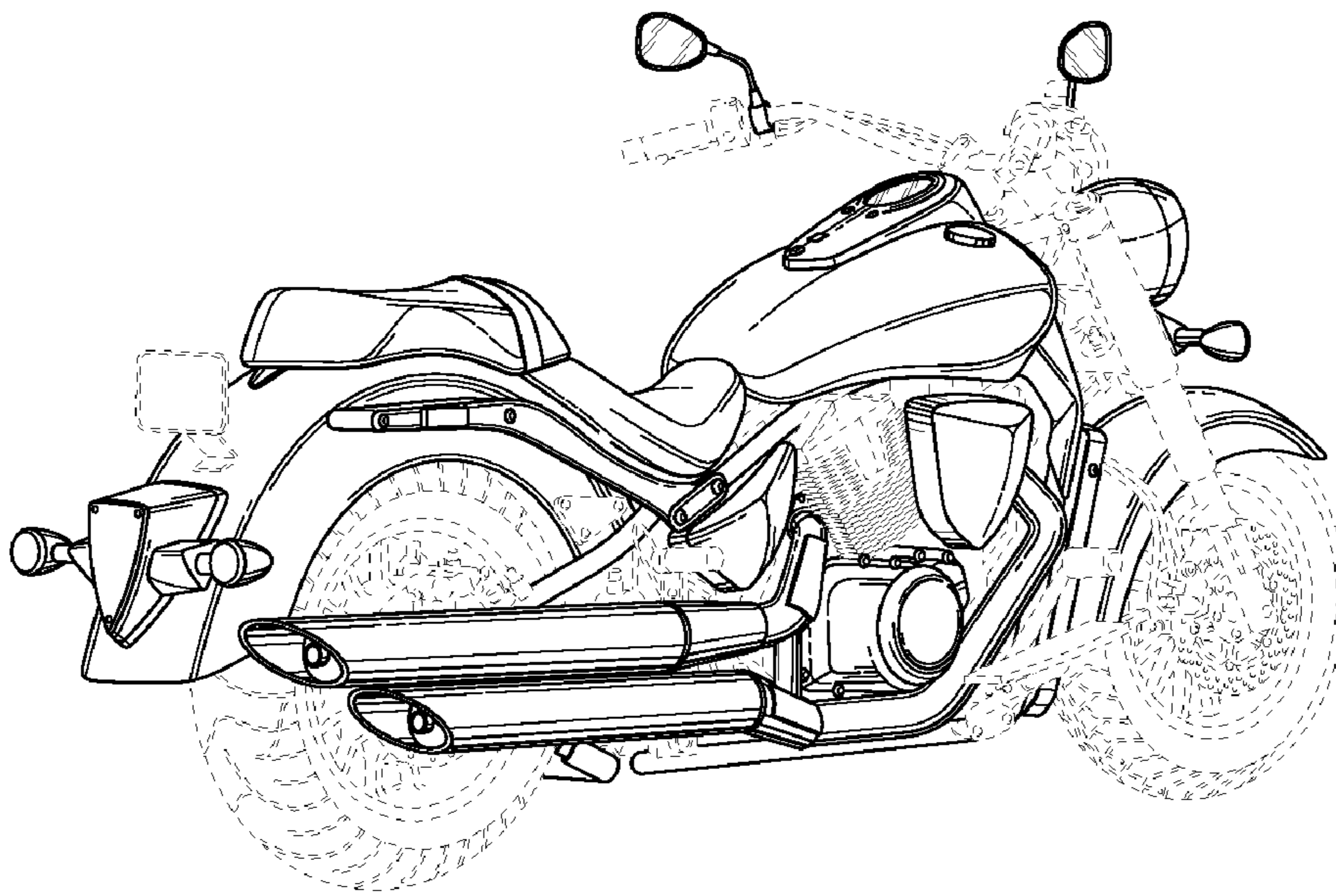


Fig. 8

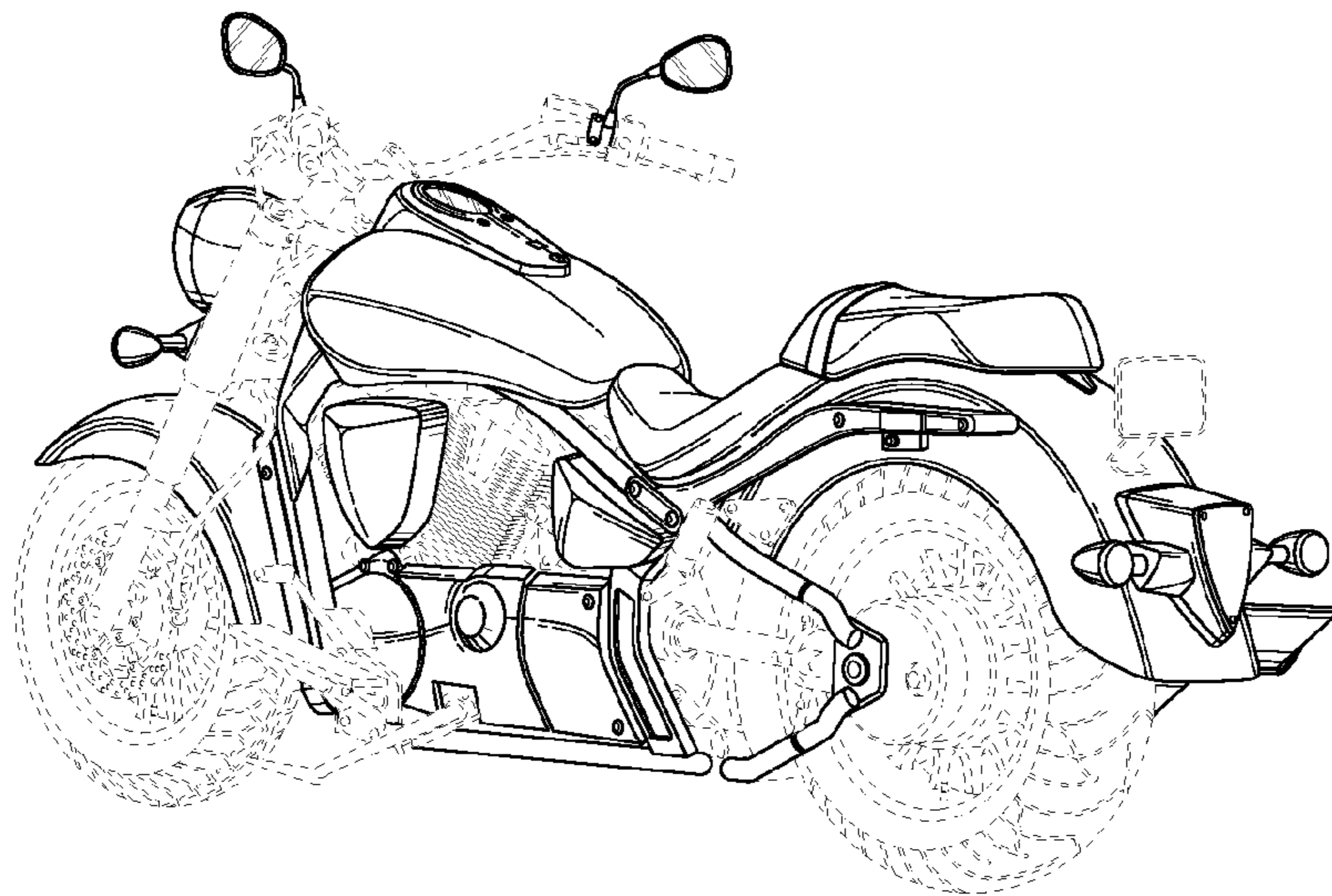


Fig. 9