

US00D572622S

(12) **United States Design Patent**
Akdemir

(10) **Patent No.:** **US D572,622 S**

(45) **Date of Patent:** **** Jul. 8, 2008**

(54) **CUT GEMSTONE MOUNT**

(76) **Inventor:** **Eddie Edip Akdemir**, 1Executive Dr.,
#365, Fort Lee, NJ (US) 07024

(**) **Term:** **14 Years**

(21) **Appl. No.:** **29/291,656**

(22) **Filed:** **Sep. 7, 2007**

(51) **LOC (8) Cl.** **11-01**

(52) **U.S. Cl.** **D11/91**

(58) **Field of Classification Search** D11/91,
D11/89, 90, 92, 93, 1, 2, 6-12, 16, 24-28,
D11/34-43, 79, 70, 222, 47, 75; 63/1.11-14.1,
63/13, 15-15.4, 20, 22, 23, 26-33
See application file for complete search history.

(56) **References Cited**

U.S. PATENT DOCUMENTS

2,035,244	A *	3/1936	Pejchar	63/26
2,769,322	A *	11/1956	Czuch	63/12
2,883,048	A *	4/1959	Lentz	63/30
3,014,354	A *	12/1961	McCary	63/27
D272,238	S *	1/1984	Liebrick et al.	D11/92
D275,660	S *	9/1984	Carroll	D11/70
D277,085	S *	1/1985	Liebrick et al.	D11/92
6,038,751	A *	3/2000	Butler	63/27
D453,121	S *	1/2002	Bowman	D11/91
6,389,846	B1 *	5/2002	Siebenberg	63/26
D477,243	S *	7/2003	Benderly	D11/91

6,634,184	B2 *	10/2003	Feldman	63/26
D543,894	S	6/2007	Akdemir		
2007/0204653	A1 *	9/2007	Douglas	63/27

* cited by examiner

Primary Examiner—Ian Simmons

Assistant Examiner—David G Muller

(74) *Attorney, Agent, or Firm*—Robert L. Billmers; Joanne M. Billmers; B² Patent Services

(57) **CLAIM**

The ornamental design for a cut gemstone mount, as shown and described.

DESCRIPTION

The ornamental design of this patent shows a mount for a Lida cut gemstone (described in USD D543,894). The mount can be utilized for holding the gemstone on a ring, pendant, earring or broach. The shape, size, and style are specific to augment the beauty of the Lida cut gemstone and are not meant to fit or hold other traditional cuts.

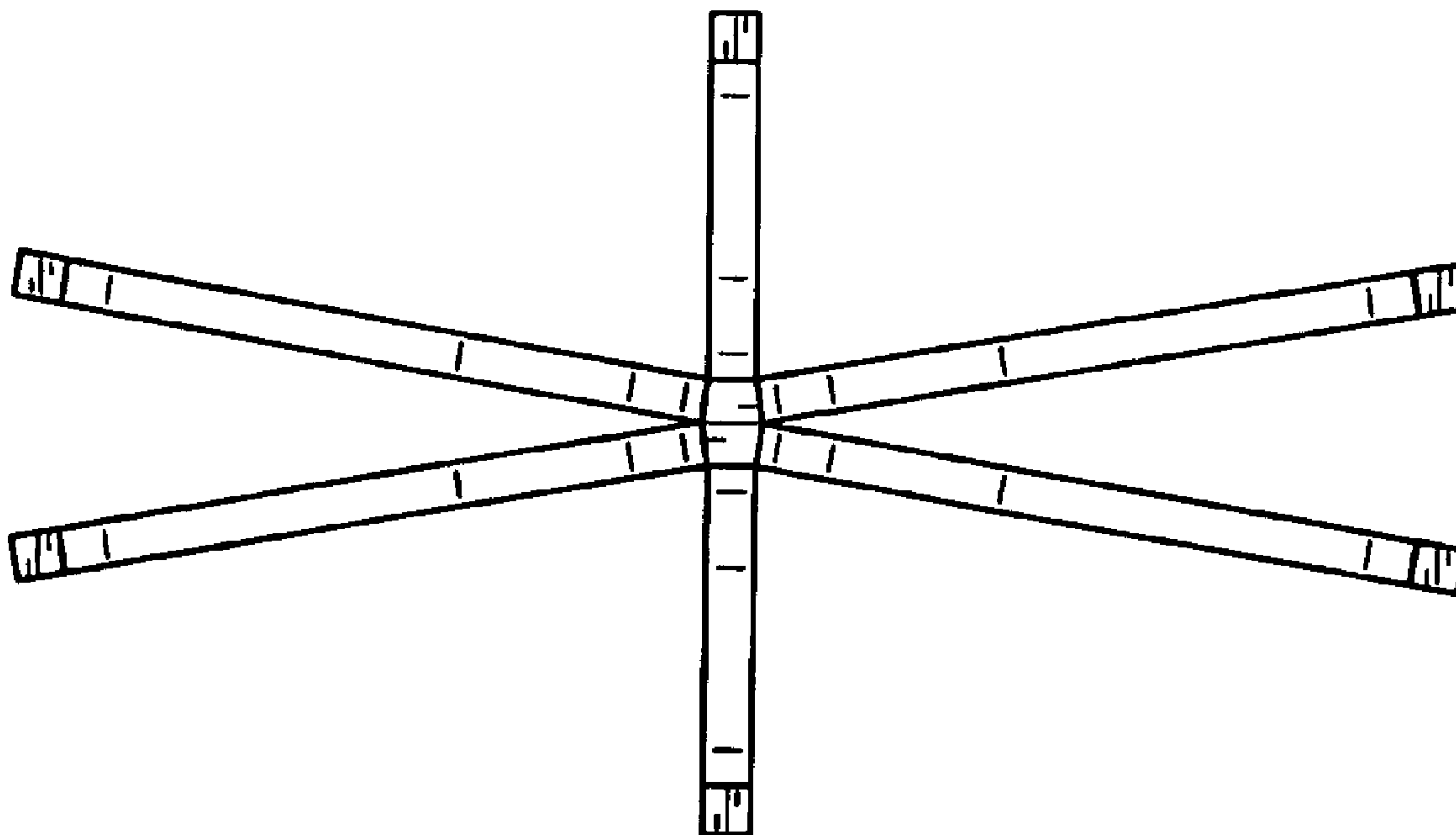
FIG. 1 is a top view of my new design;

FIG. 2 is a perspective view thereof;

FIG. 3 is a long side view of my invention; the other side is a mirror image of this side; and,

FIG. 4 is a short side view of my invention; the other side is a mirror view of this side.

1 Claim, 1 Drawing Sheet



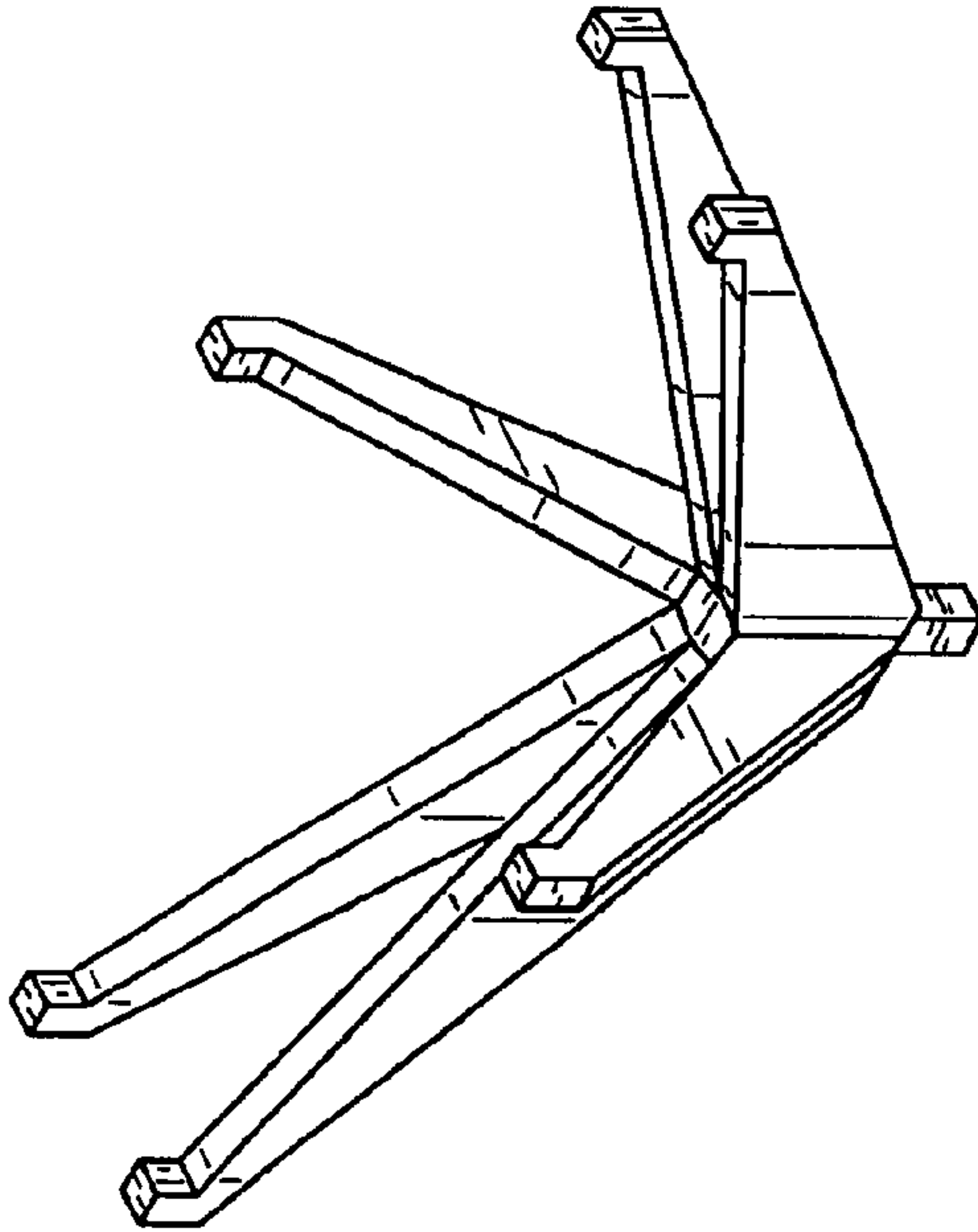


FIG. 1

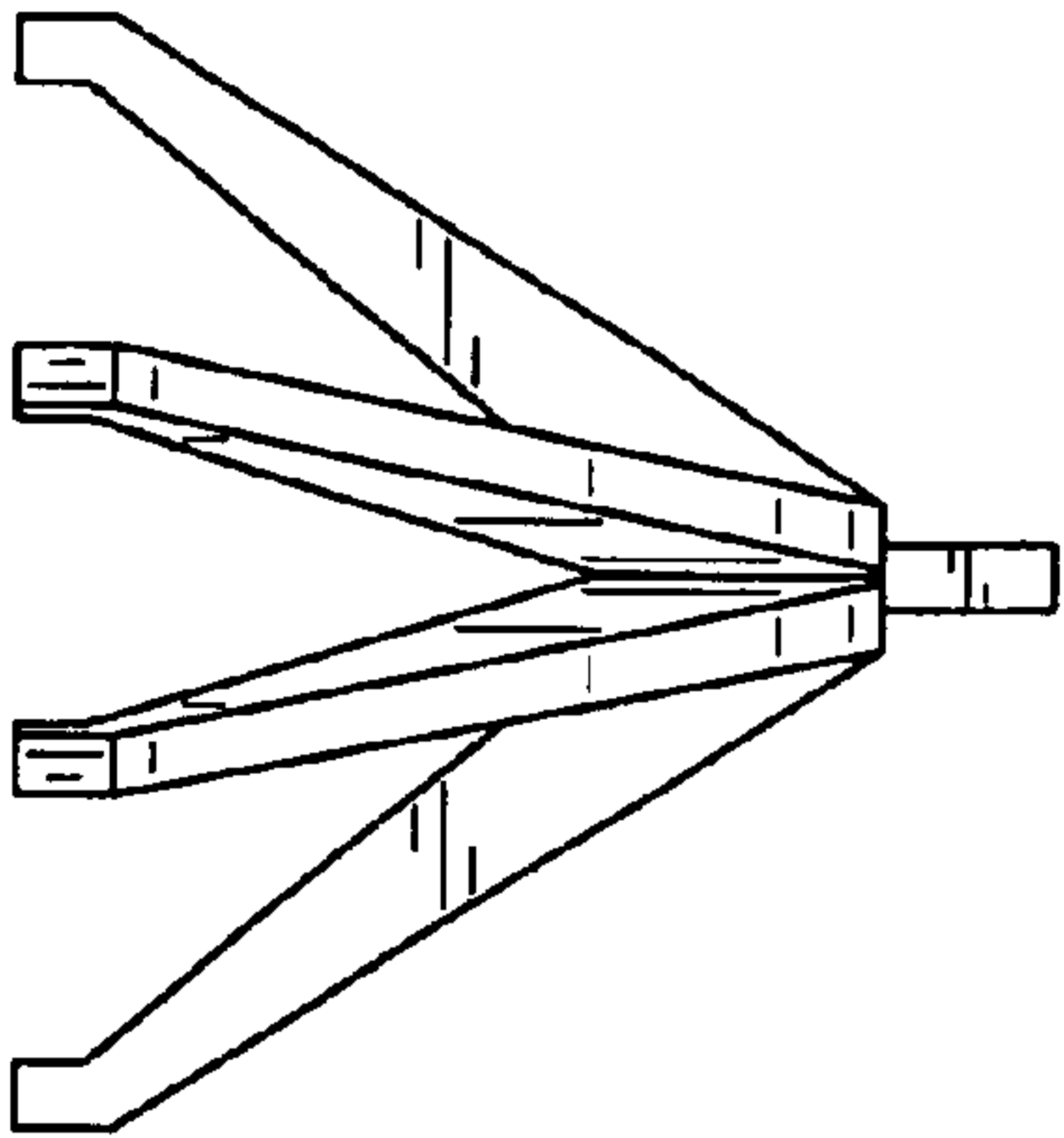


FIG. 2

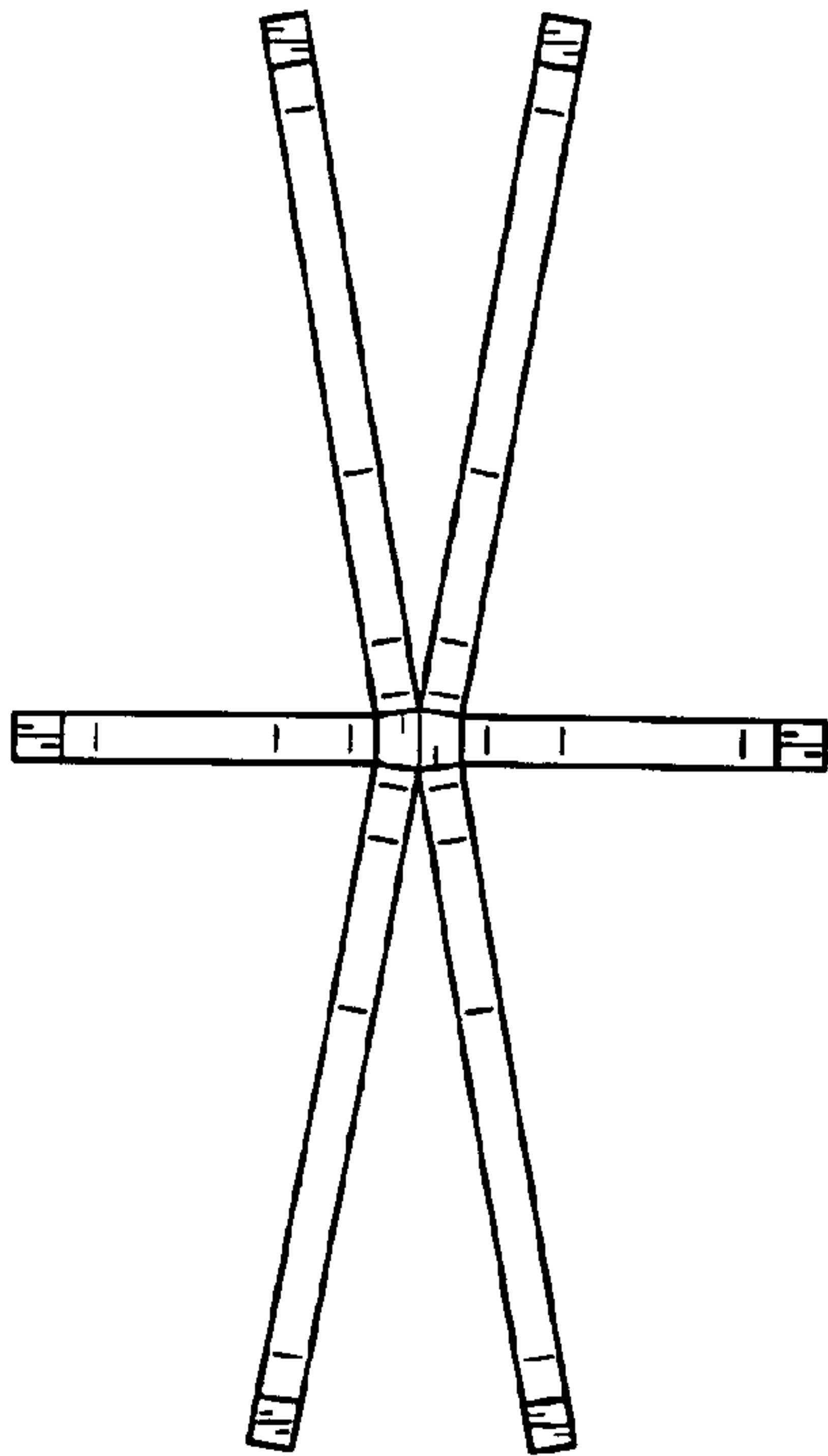


FIG. 3

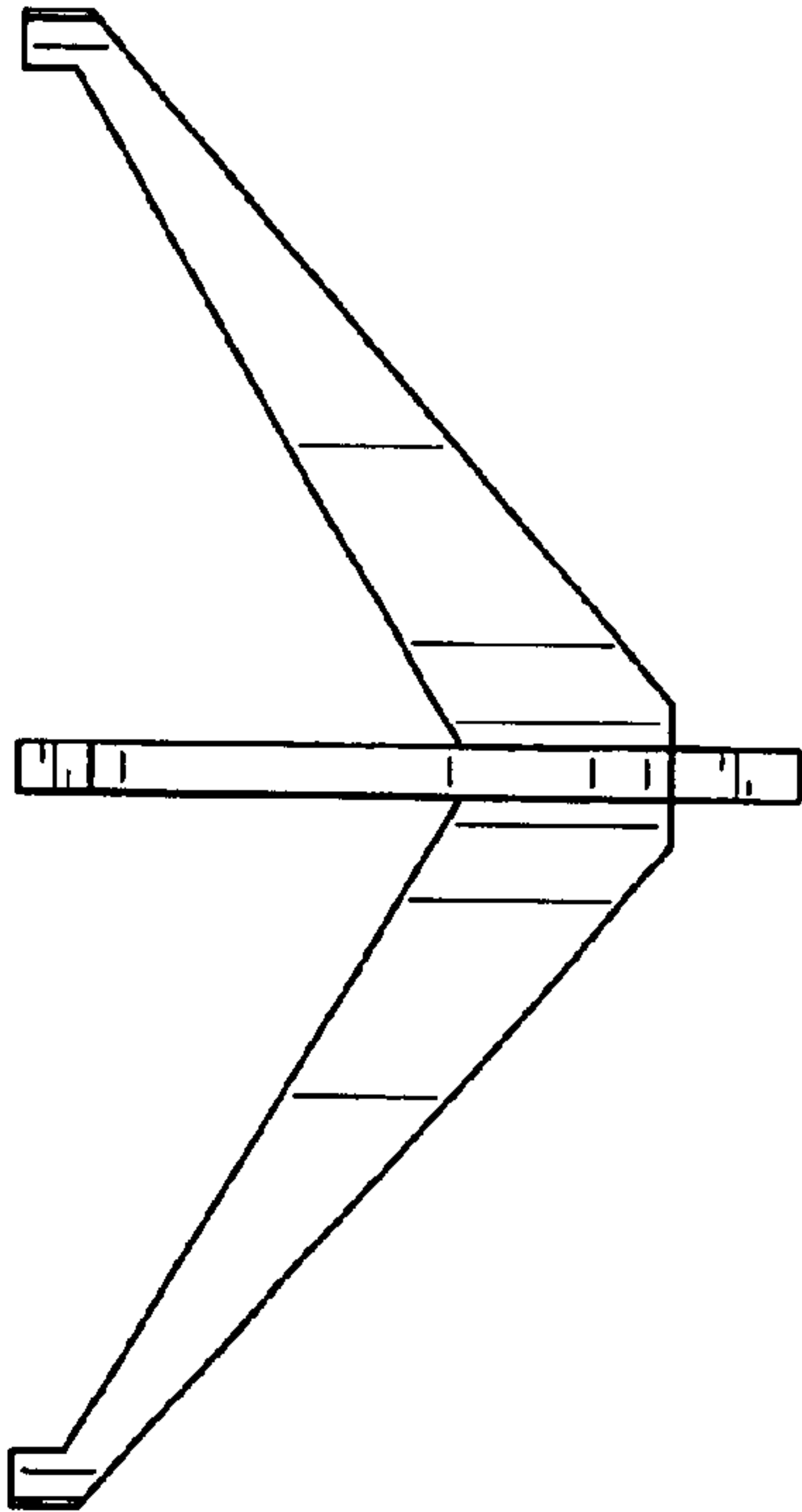


FIG. 4