



US00D572616S

(12) **United States Design Patent**
Godshaw et al.

(10) **Patent No.:** **US D572,616 S**
(45) **Date of Patent:** **** Jul. 8, 2008**

(54) **HAND HELD DEVICE TO MEASURE THE SIZE OF LUGGAGE AND WEIGH LUGGAGE**

(75) Inventors: **Donald E. Godshaw**, Evanston, IL (US);
Brad L. Schantz, Evanston, IL (US);
Zoran Gracer, Deerfield, IL (US)

(73) Assignee: **Travel Caddy, Inc.**, Elk Grove Village, IL (US)

(**) Term: **14 Years**

(21) Appl. No.: **29/266,173**

(22) Filed: **Sep. 15, 2006**

(51) **LOC (8) Cl.** **10-04**

(52) **U.S. Cl.** **D10/89**

(58) **Field of Classification Search** D10/89;
177/131, 148, 232, 233, 235, 238, 243, 225,
177/25.13

See application file for complete search history.

(56) **References Cited**

OTHER PUBLICATIONS

- www.alibaba.com, Hanging Scale, pp. 1-3.
- www.alibaba.com, Luggage Scale, pp. 1-2.
- www.magellans.com, Travel Utility Scale, pp. 1-2.

www.radioshack.com, Travelpro Luggage Scale, pp. 1-2.

www.sportys.com, Luggage Scale, pp. 1-3.

www.alibaba.com, Fishing Scale, pp. 1-2.

www.alibaba.com, Hanging Fishing Scale, pp. 1-2.

www.magellans.com, 75 lb. Luggage Scale, pp. 1-2.

Primary Examiner—Antoine D. Davis

(74) *Attorney, Agent, or Firm*—Banner & Witcoff, Ltd.

(57) **CLAIM**

The ornamental design for a hand held device to measure the size of luggage and weigh luggage.

DESCRIPTION

FIG. 1 is a front side elevation of a device to measure the size of luggage and weigh luggage. The broken lines form no part of the design;

FIG. 2 is a back side elevation of the device of FIG. 1;

FIG. 3 is a top side view of the device of FIG. 1;

FIG. 4 is a bottom side view of the device of FIG. 1;

FIG. 5 is a side elevation of the device of FIG. 1 as viewed from the right hand side;

FIG. 6 is a side elevation of the device of FIG. 1; and,

FIG. 7 is a perspective view of the device of FIG. 1.

1 Claim, 3 Drawing Sheets

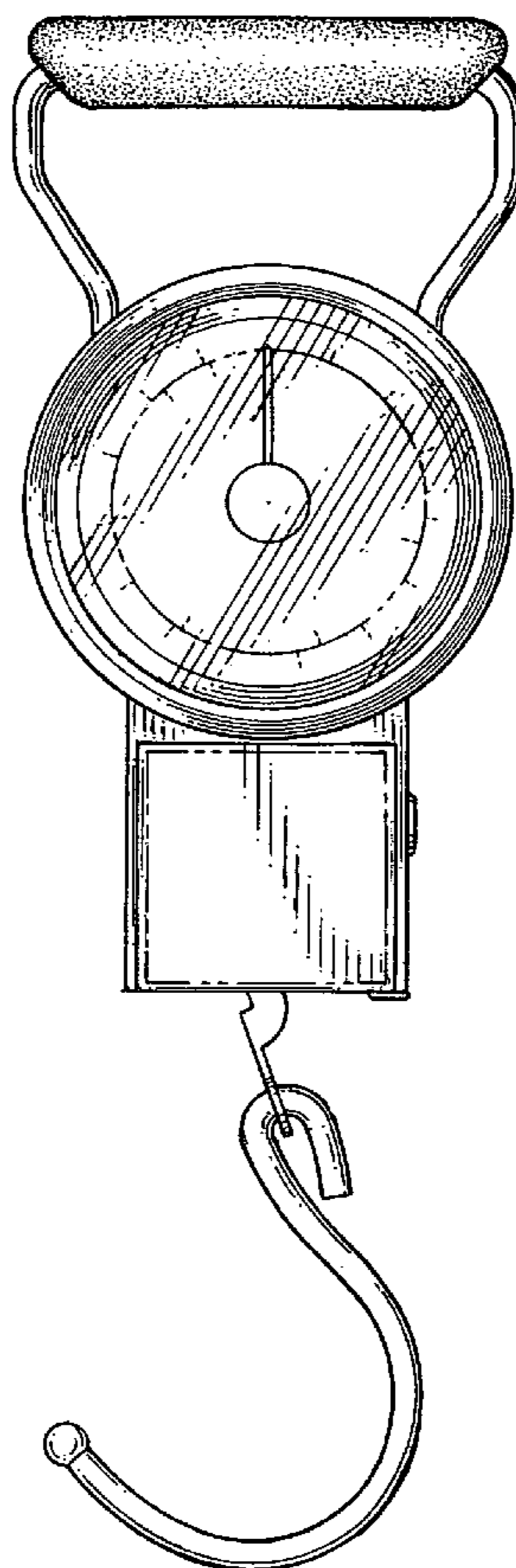


FIG.1

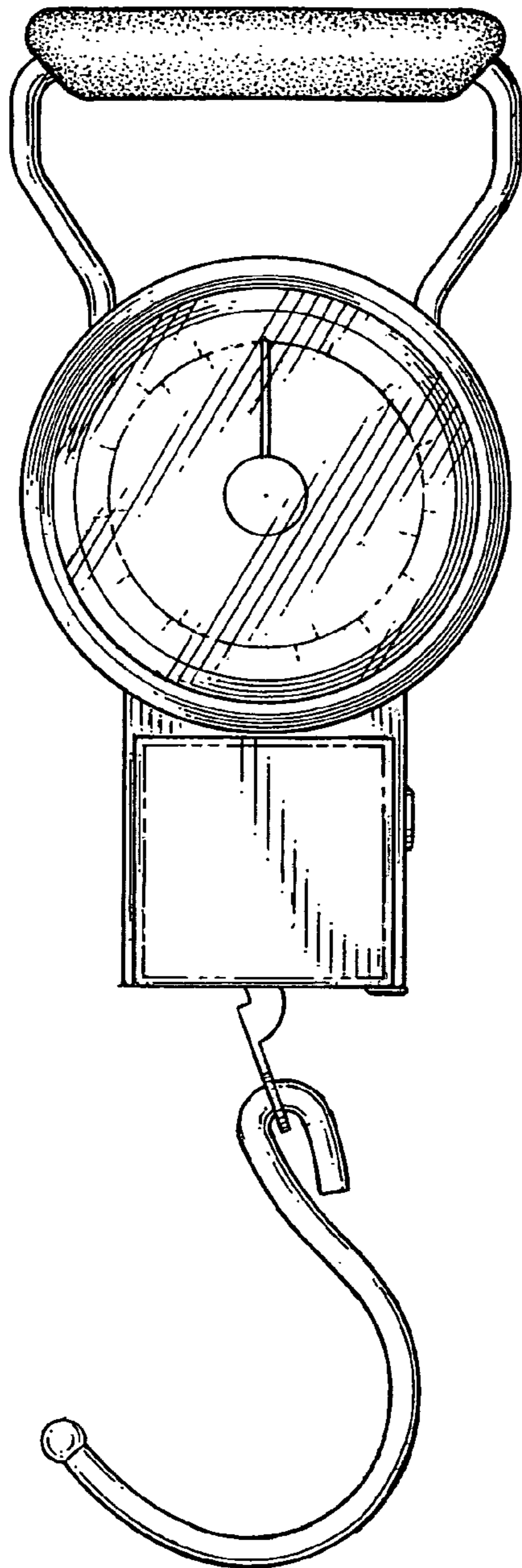


FIG.2

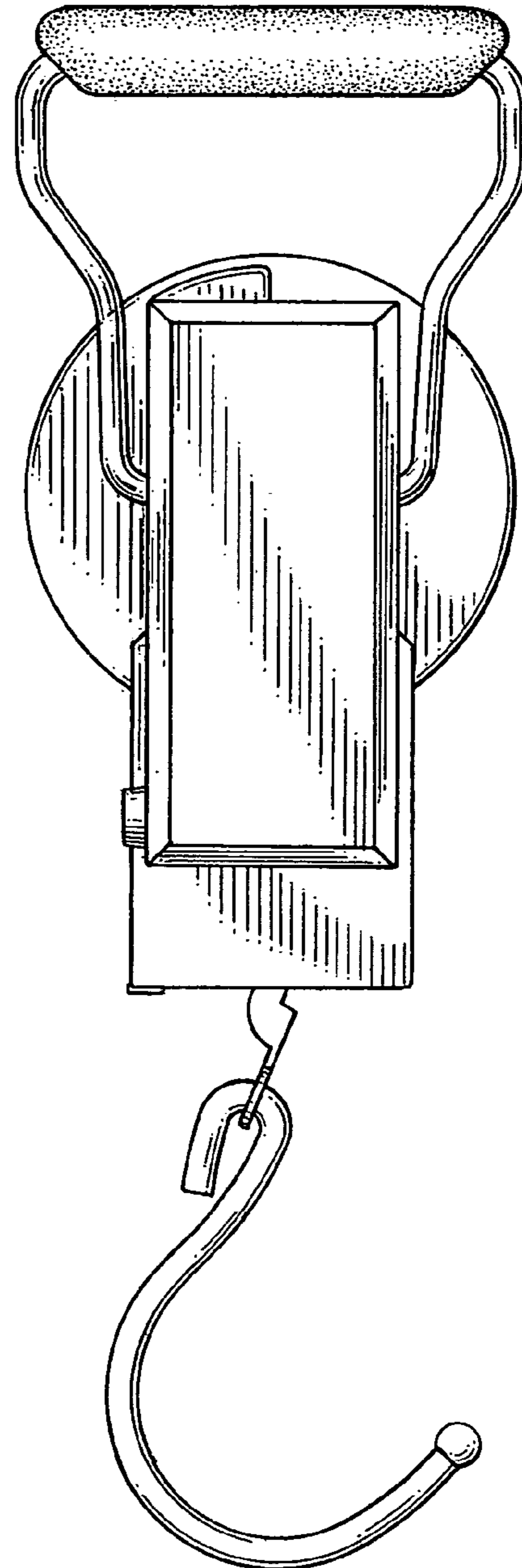


FIG.3

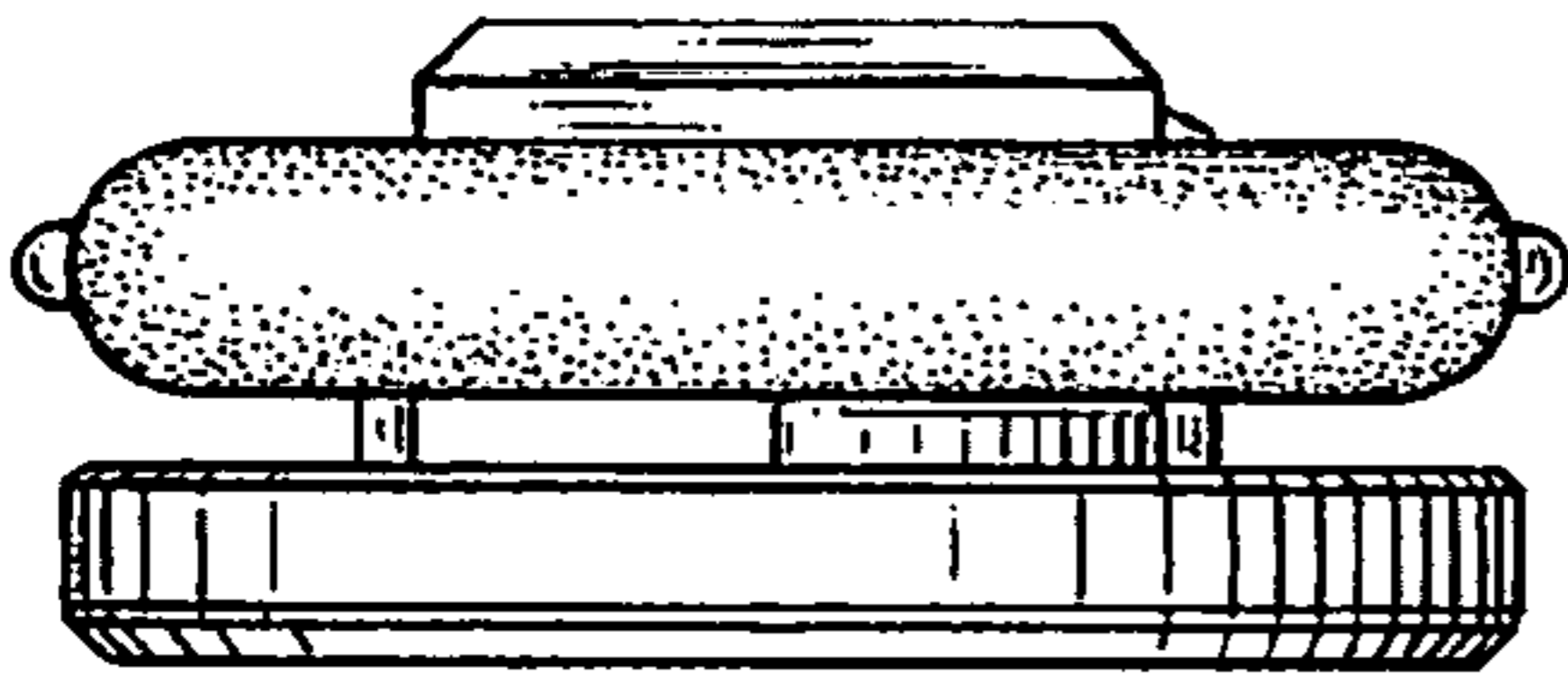


FIG.4

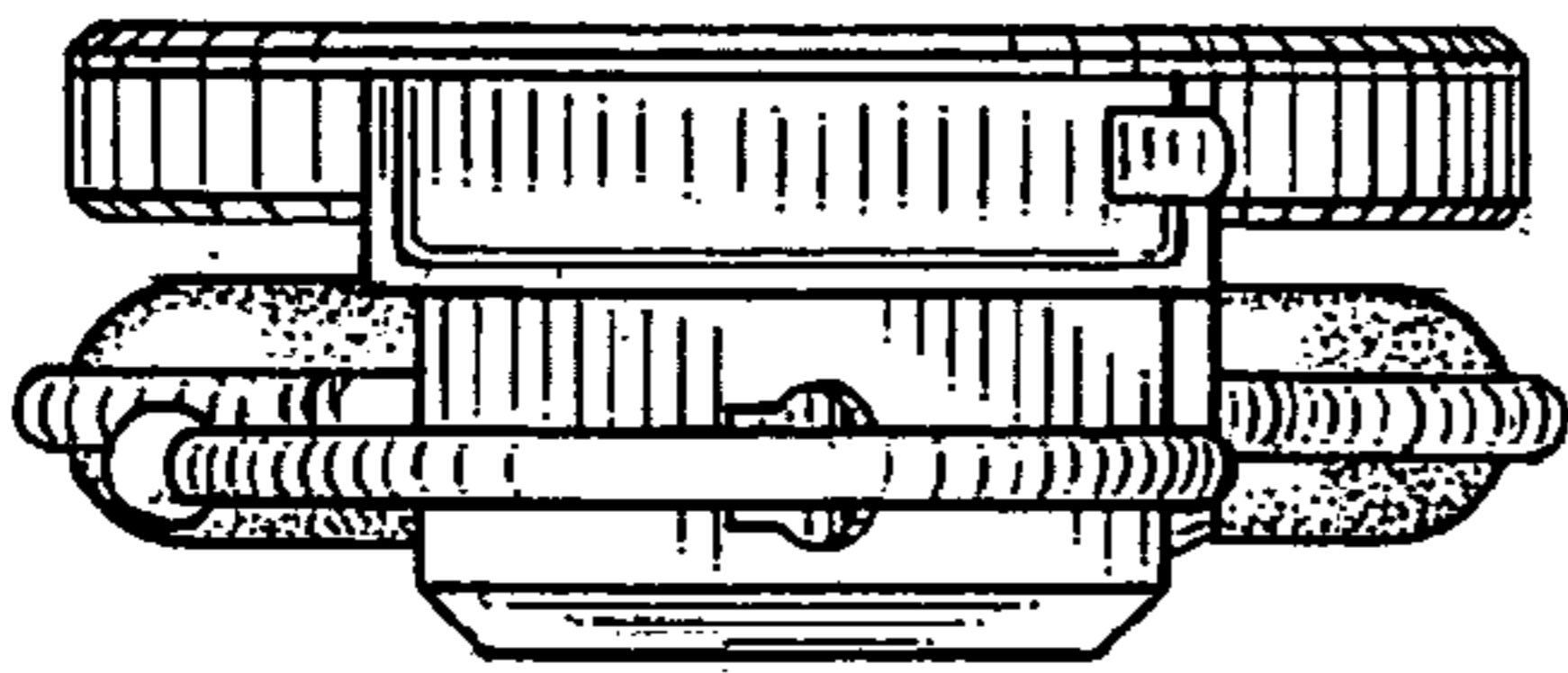


FIG.5

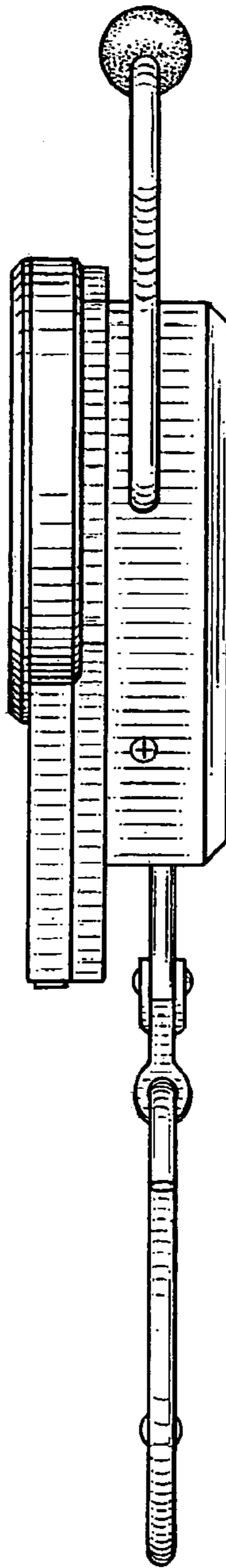


FIG.6

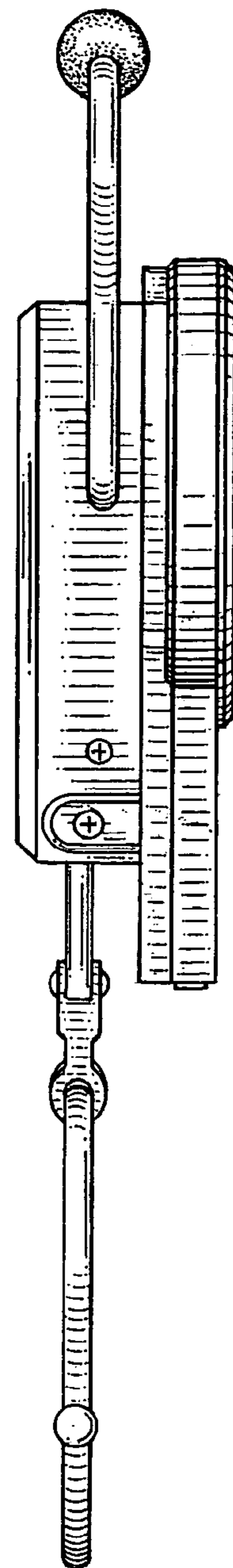


FIG. 7

