



US00D572614S

(12) **United States Design Patent**
McEwan et al.

(10) **Patent No.:** **US D572,614 S**
(45) **Date of Patent:** **** Jul. 8, 2008**

(54) **PORTION OF A TAPE CASE**

(75) Inventors: **Sean Michael McEwan**, Raleigh, NC
(US); **Brian D. Westbrook**, Raleigh, NC
(US)

(73) Assignee: **Cooper Brands, Inc.**, Houston, TX (US)

(**) Term: **14 Years**

(21) Appl. No.: **29/285,272**

(22) Filed: **Mar. 26, 2007**

(51) **LOC (8) Cl.** **10-04**

(52) **U.S. Cl.** **D10/72**

(58) **Field of Classification Search** D10/72;
33/755-771; 242/292, 381.1-381.6

See application file for complete search history.

(56) **References Cited**

U.S. PATENT DOCUMENTS

D178,567 S	8/1956	Holscher
D208,066 S	7/1967	Collura et al.
D310,043 S	8/1990	Kang
D311,697 S	10/1990	Kang
D322,943 S	1/1992	Sun
D324,346 S	3/1992	Ogasawara
D341,329 S	11/1993	Morris
D351,561 S	10/1994	Moffatt et al.
D365,769 S	1/1996	Kang
D377,911 S	2/1997	Ogasawara
D396,012 S	7/1998	Walsten
D398,870 S	9/1998	Konen et al.
D408,749 S	4/1999	Walsten
D410,859 S	6/1999	Hioki
D418,765 S	1/2000	Martone et al.

(Continued)

OTHER PUBLICATIONS

www.cooperhandtools.com, Lufkin Fiberglass Long Tapes ProSeries, © 2000-2005.

www.cooperhandtools.com, Lufkin Fiberglass Long Tapes Hi-Viz® Linear, © 2000-2005.

Primary Examiner—Antoine D Davis

(74) *Attorney, Agent, or Firm*—SAIDMAN DesignLaw Group

(57) **CLAIM**

The ornamental design for a portion of a tape case, as shown and described.

DESCRIPTION

This application is also related to co-pending application: Ser. No. 11/675,845, filed Feb. 16, 2007, and titled “Tape Measure with Interchangeable End Fittings” to Sean McEwan, Christopher T. Cluff, and Brian D. Westbrook, and co-pending application: Ser. No. 11/675,853, filed Feb. 16, 2007, and titled “Tape Measure with Moving Tape Exit Port” to Sean McEwan, Christopher T. Cluff, and Brian D. Westbrook.

FIG. 1 is a perspective view of a first embodiment of a portion of a tape case showing our new design;

FIG. 2 is a front view thereof;

FIG. 3 is a back view thereof;

FIG. 4 is a left side view thereof;

FIG. 5 is a right side view thereof;

FIG. 6 is a top view thereof;

FIG. 7 is a bottom view thereof;

FIG. 8 is a perspective view of a second embodiment thereof;

FIG. 9 is a front view thereof;

FIG. 10 is a back view thereof;

FIG. 11 is a left side view thereof;

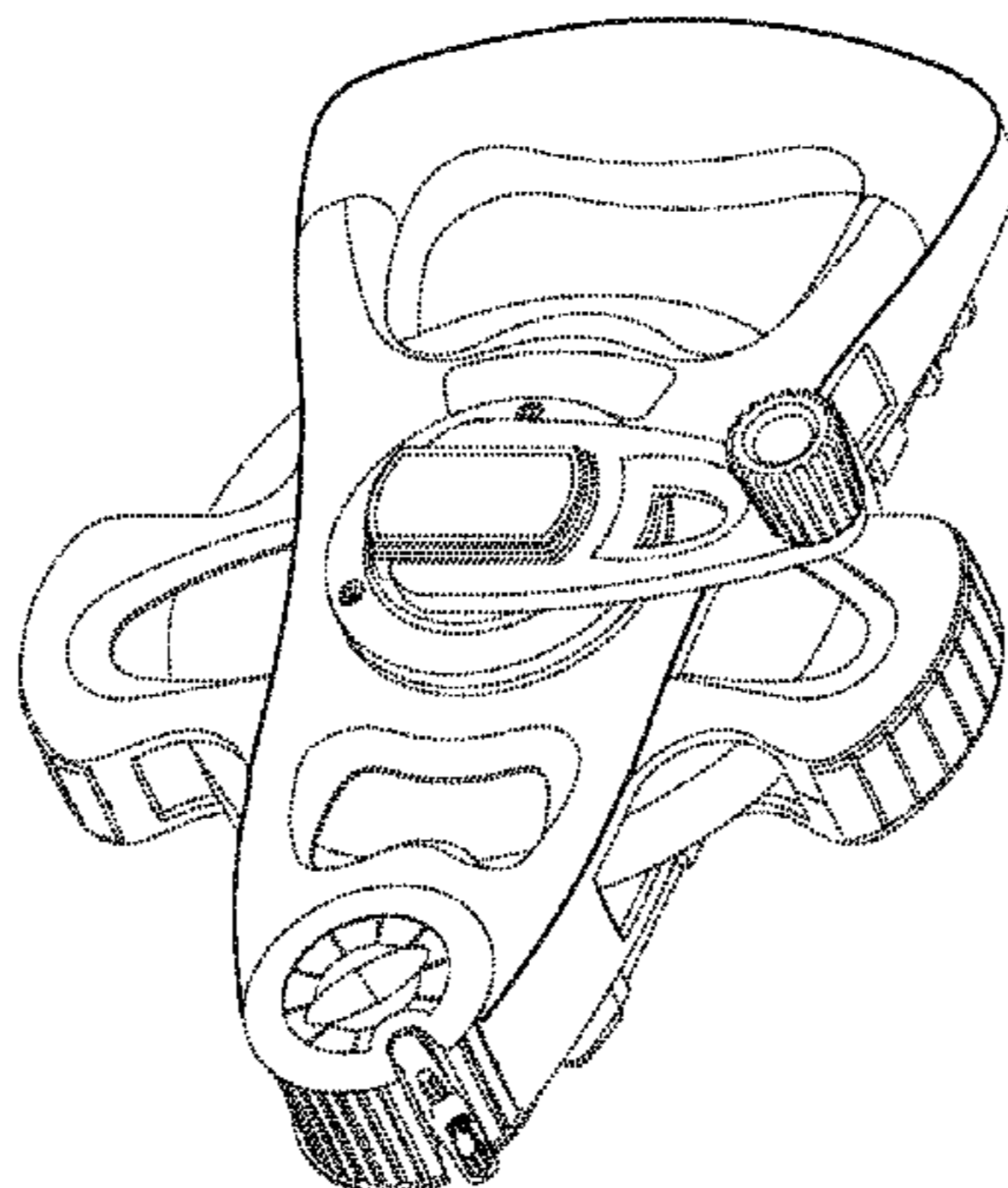
FIG. 12 is a right side view thereof;

FIG. 13 is a top view thereof; and,

FIG. 14 is a bottom view thereof.

The broken line showing of structural features is included for the purpose of illustrating non-claimed subject matter and forms no part of the claimed design.

1 Claim, 10 Drawing Sheets



US D572,614 S

Page 2

U.S. PATENT DOCUMENTS

D422,227 S	4/2000	Lin	D466,423 S	12/2002	Kram	
D423,380 S	4/2000	Kram	D478,292 S	8/2003	Hsu	
D430,047 S	8/2000	Martone et al.	6,622,396 B2 *	9/2003	Salazar	33/758
D431,480 S	10/2000	Walsten et al.	D489,012 S	4/2004	Olson	
D441,671 S	5/2001	Hsu	D490,330 S	5/2004	Konen	
D453,480 S	2/2002	Stocker et al.	D524,666 S *	7/2006	Huang	D10/72
D457,448 S	5/2002	Olson				

* cited by examiner

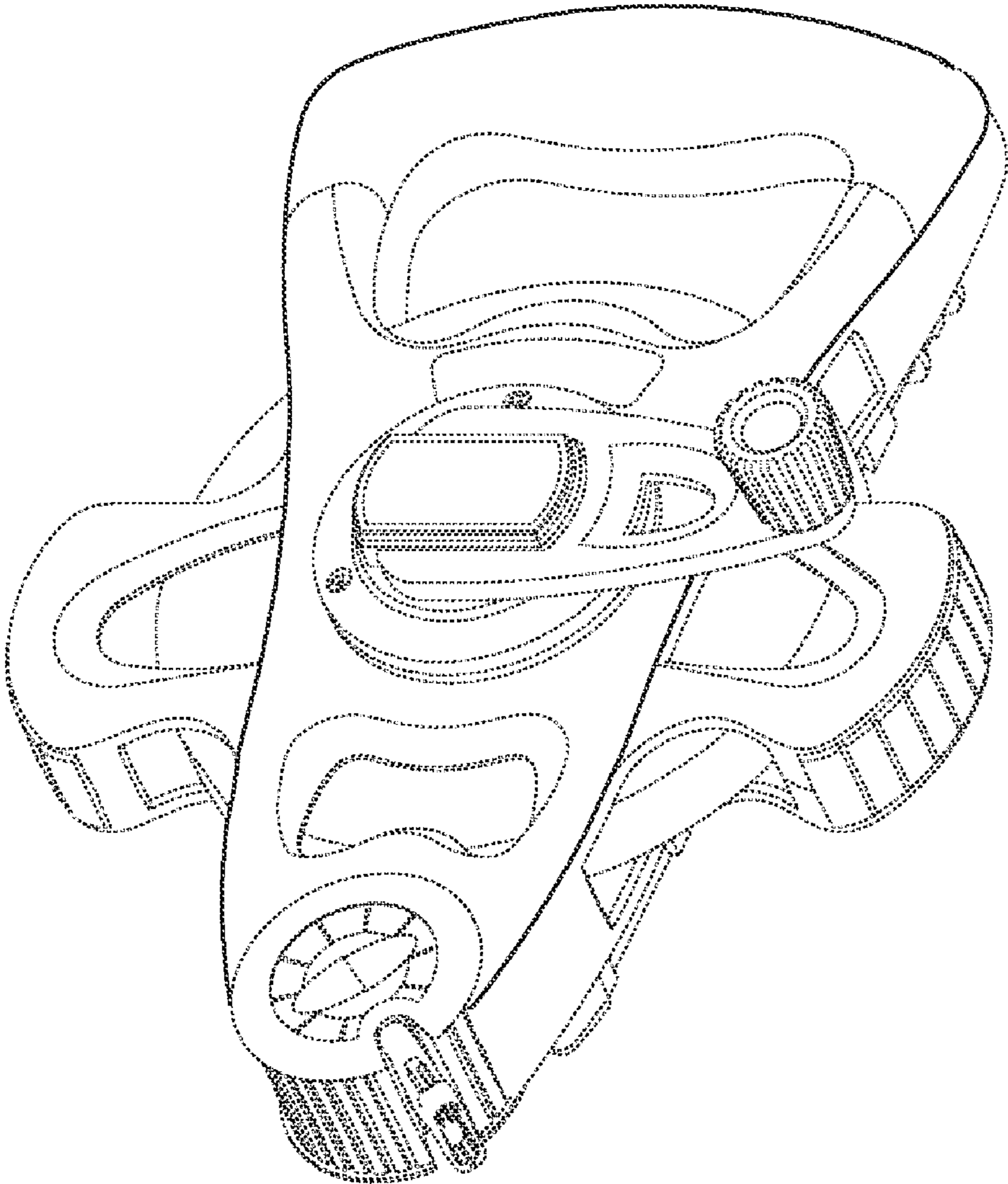


Fig. 1

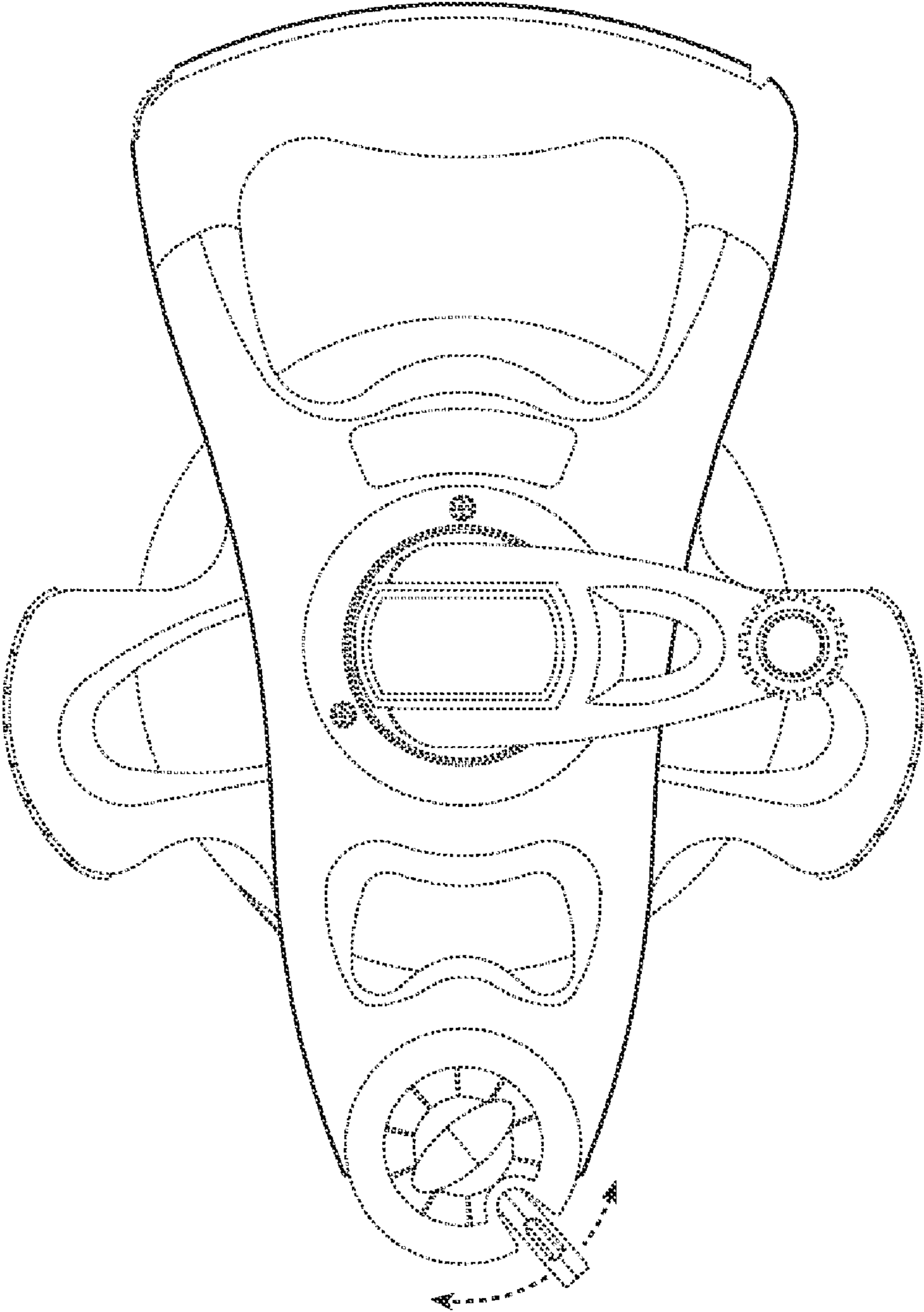


Fig. 2

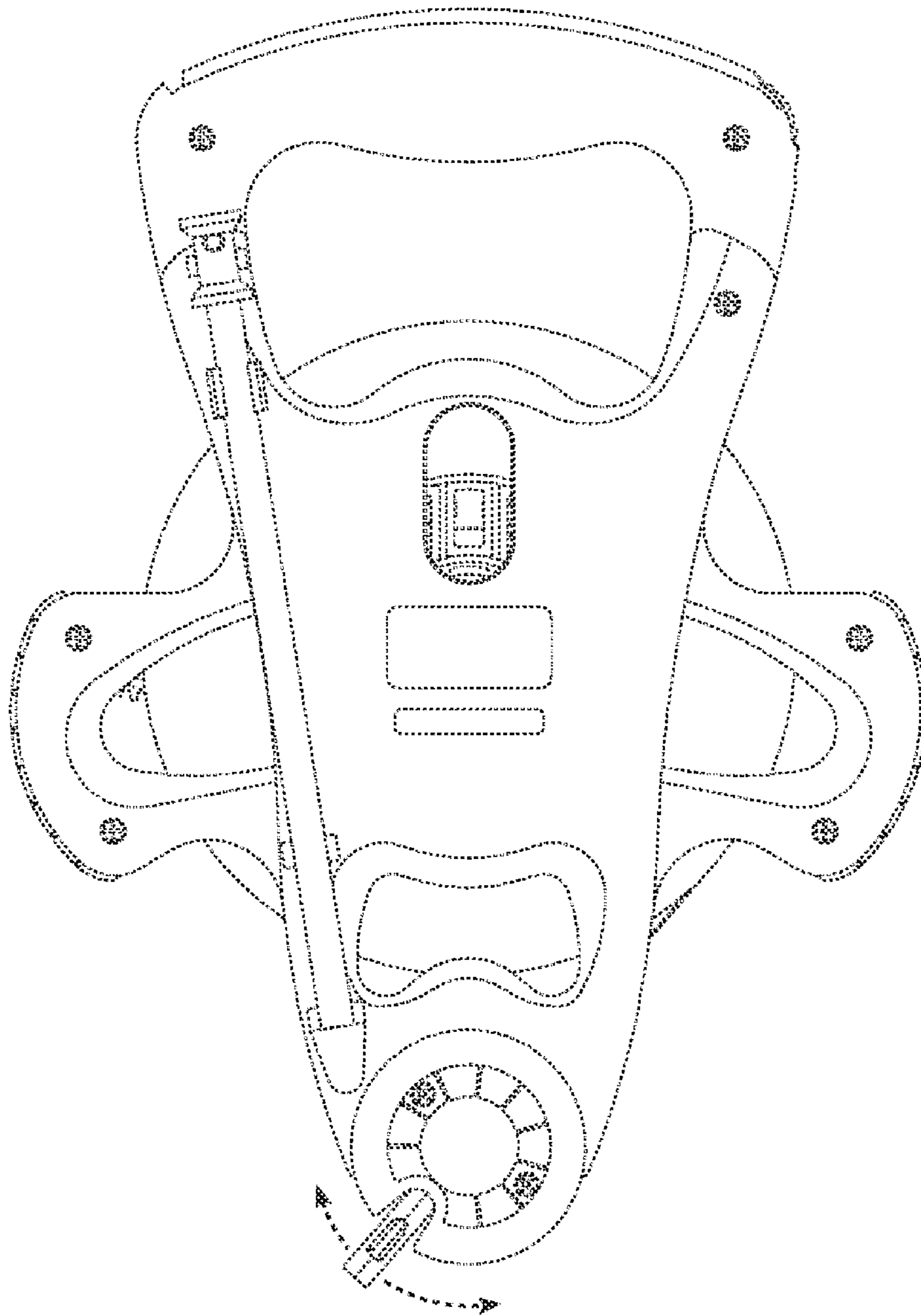


Fig. 3

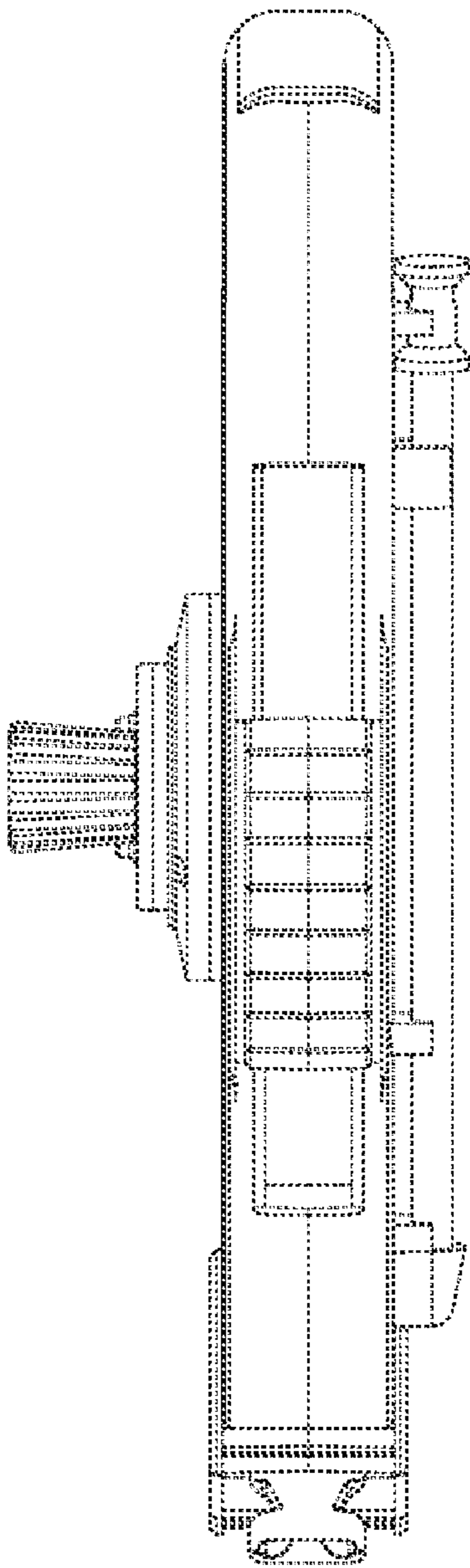


Fig. 4

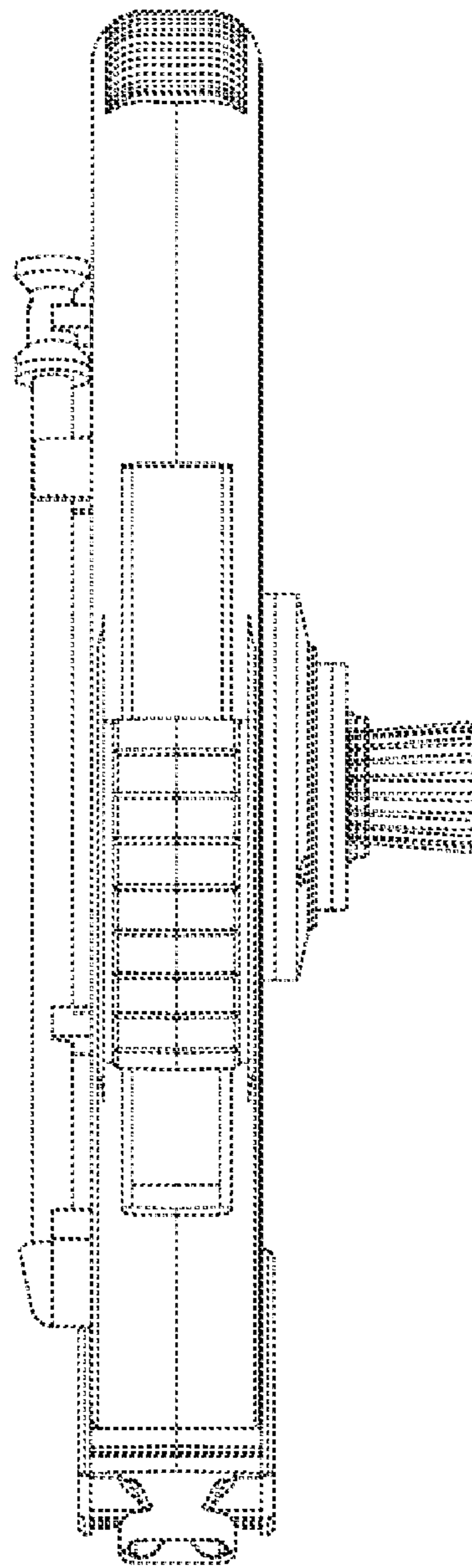


Fig. 5

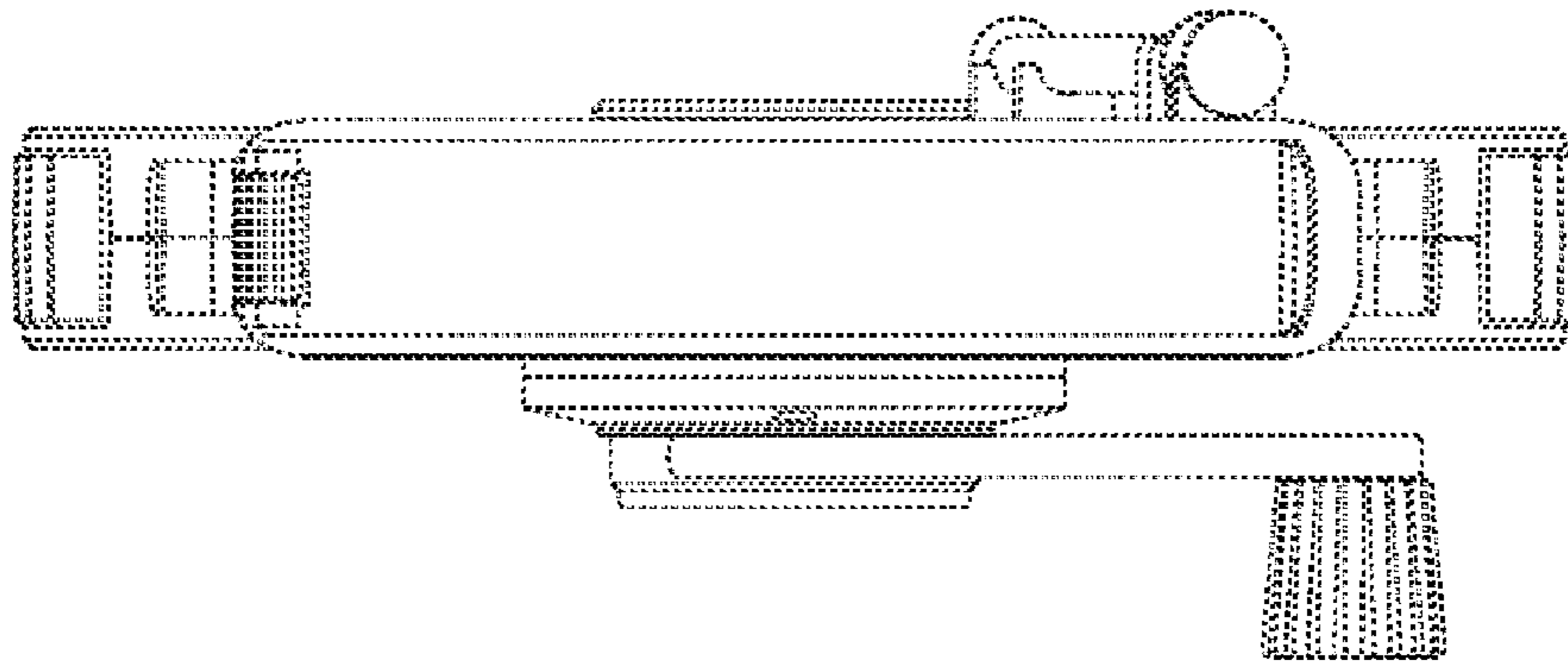


Fig. 6

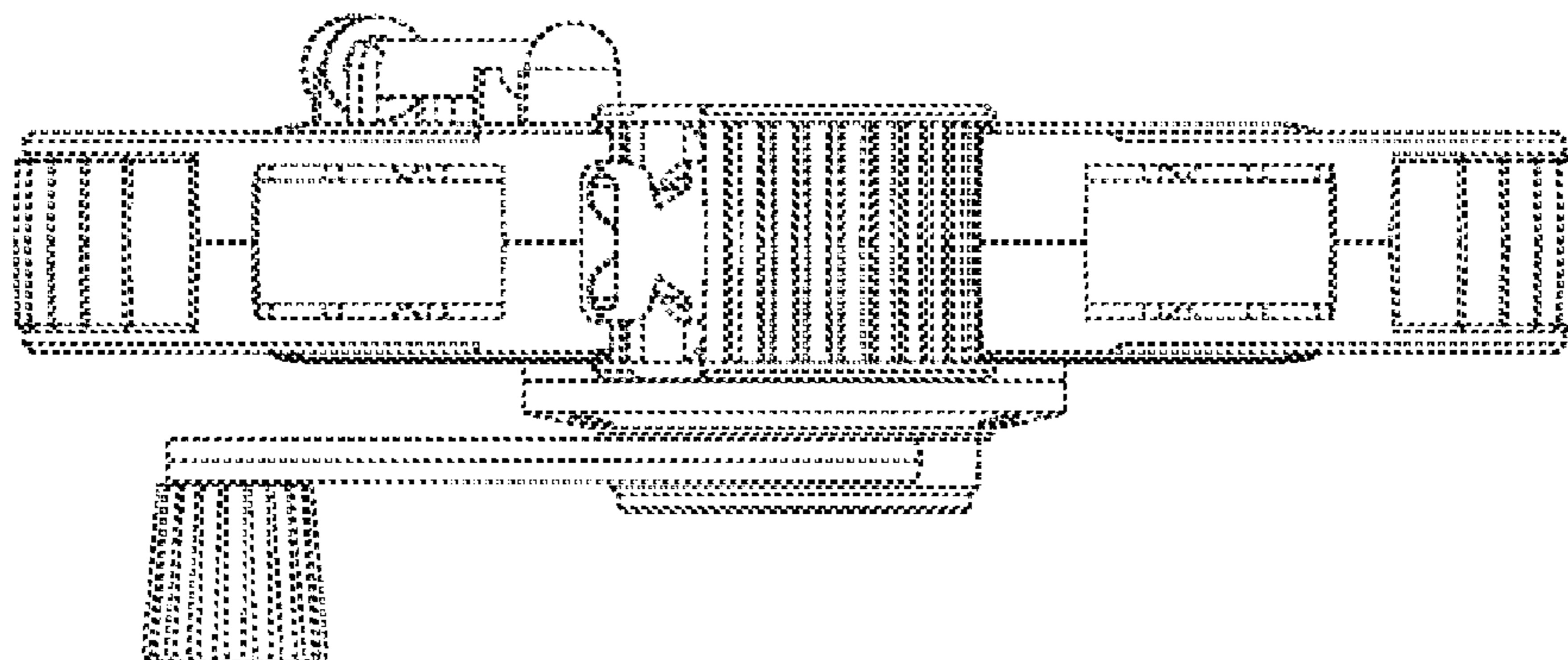


Fig. 7

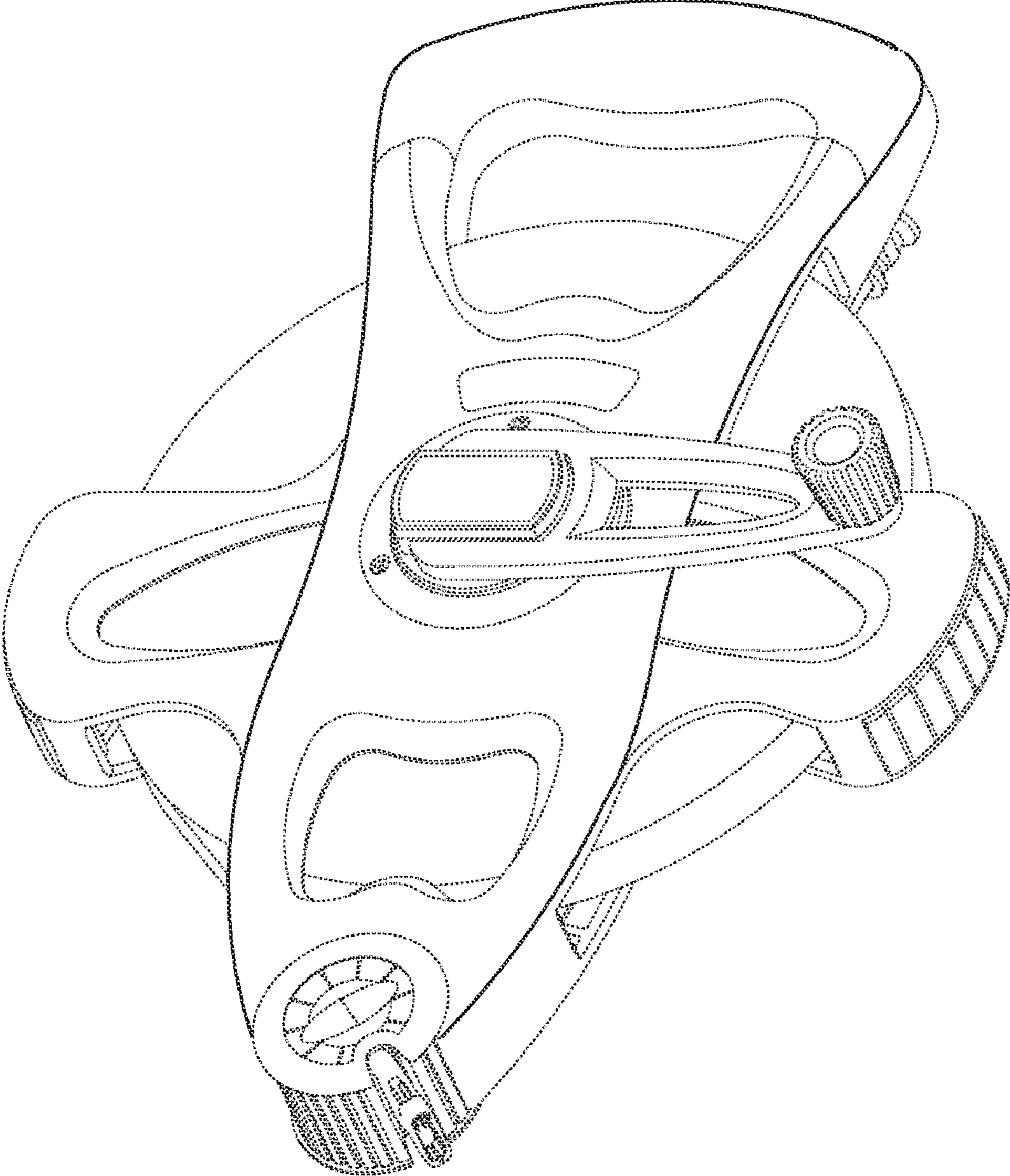


Fig. 8

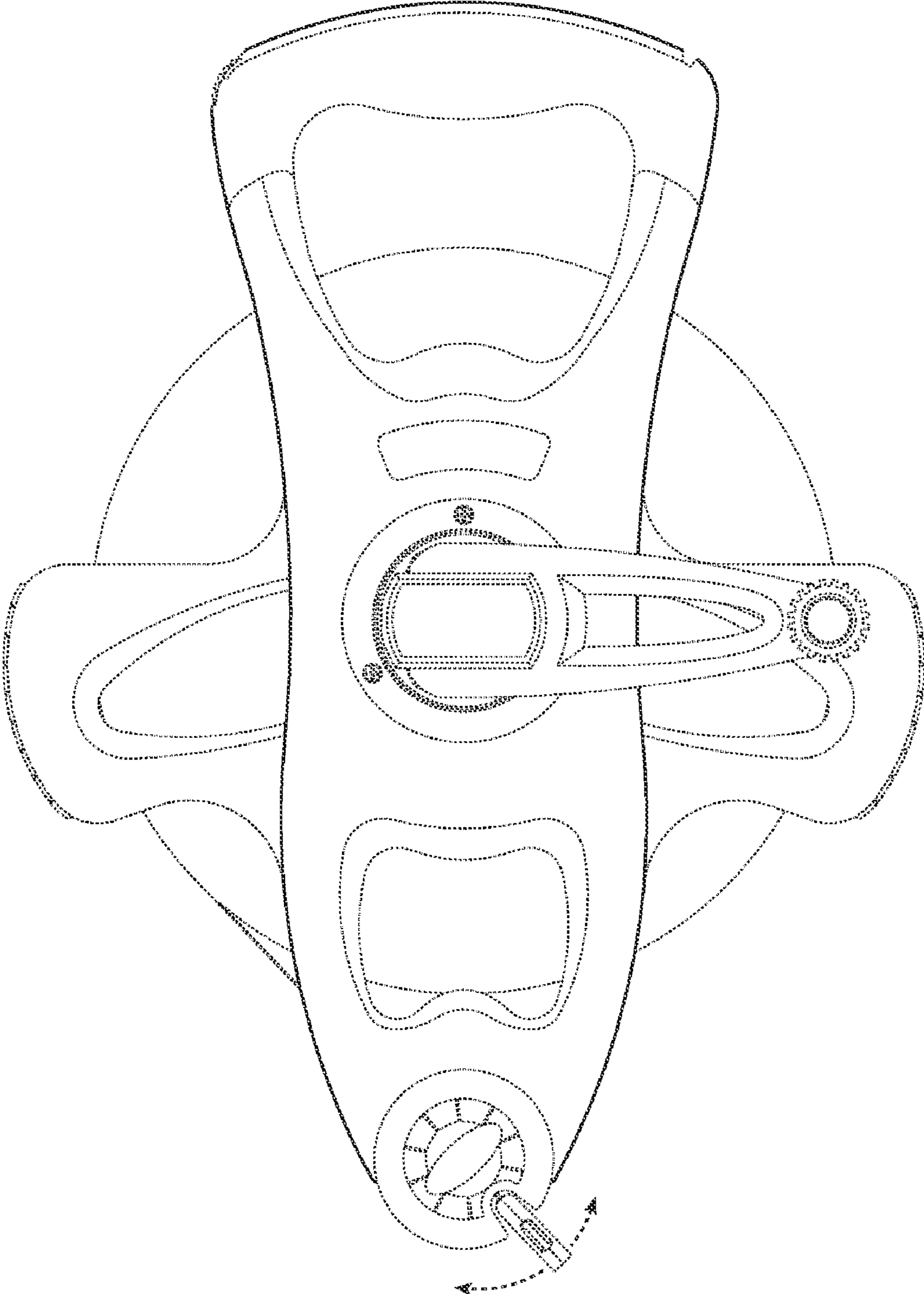


Fig. 9

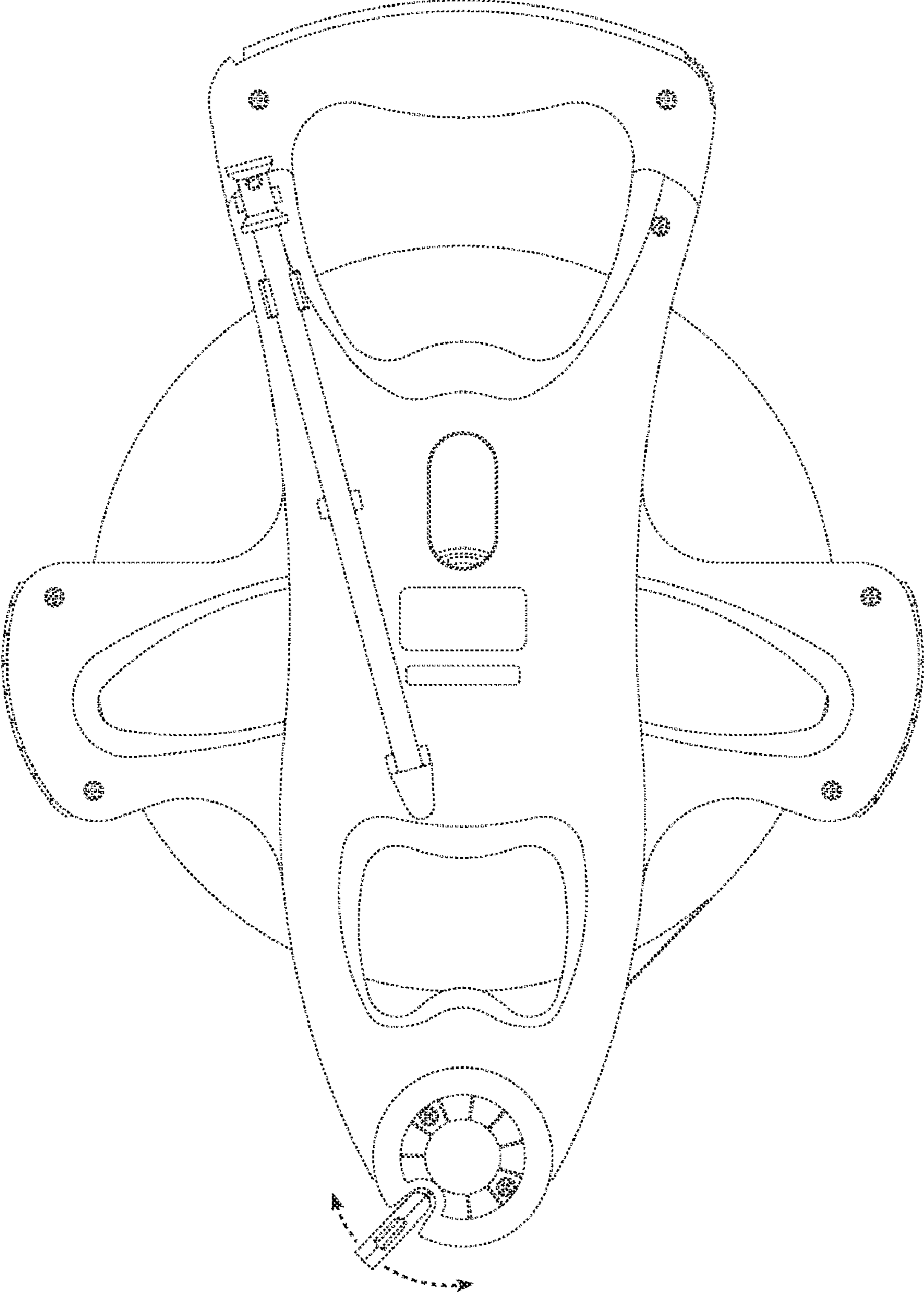


Fig. 10

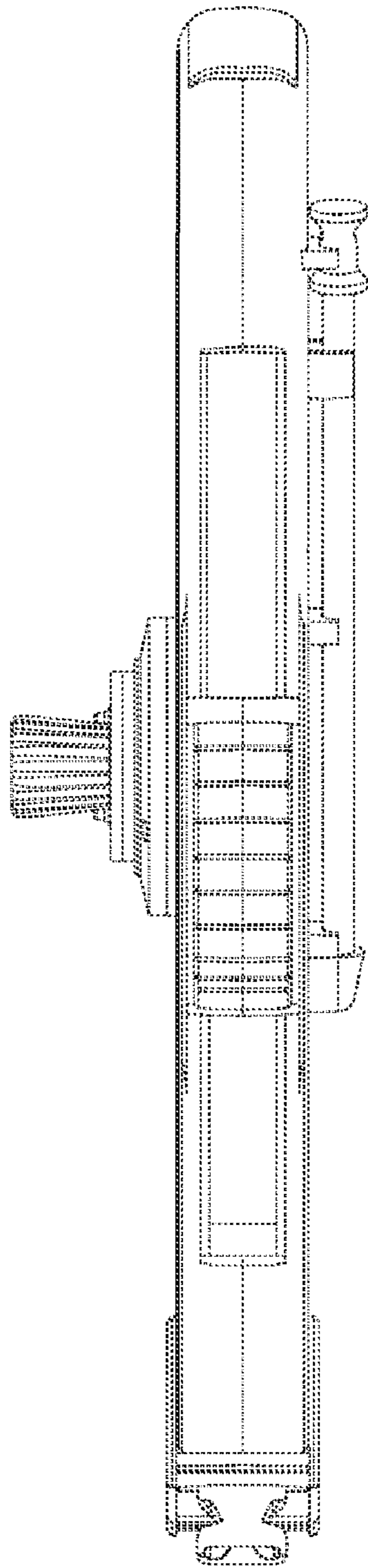


Fig. 11

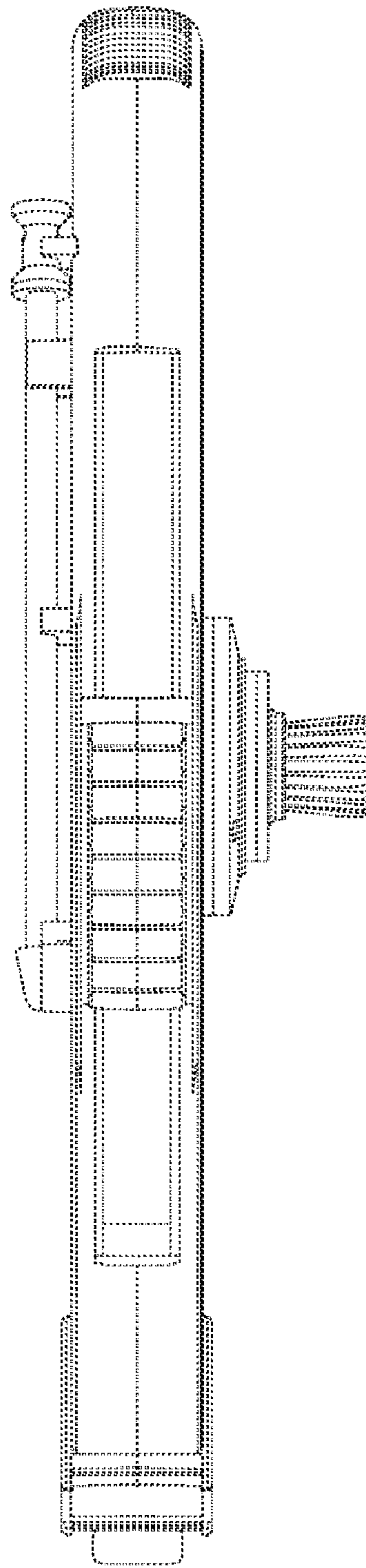


Fig. 12

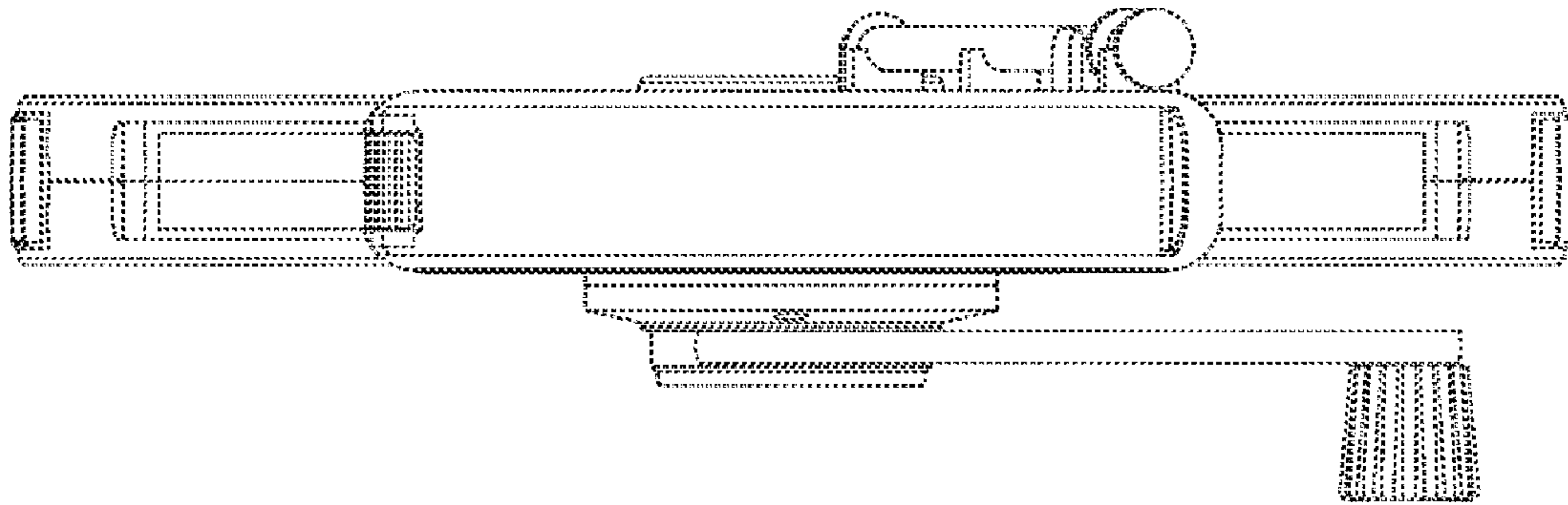


Fig. 13

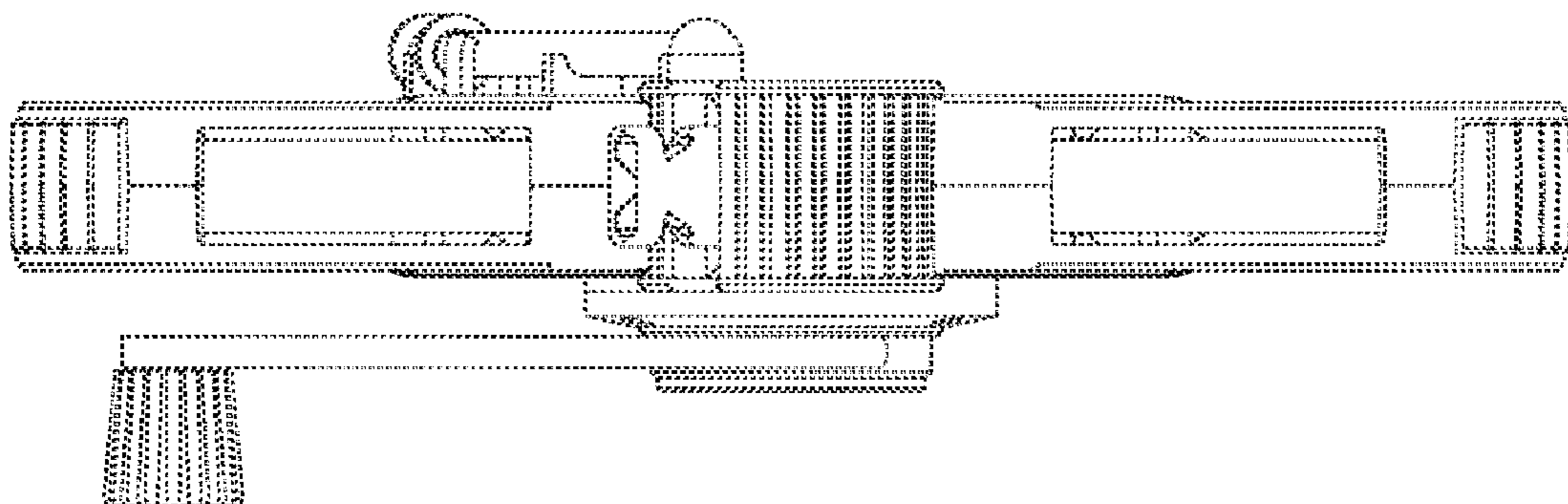


Fig. 14