



US00D572609S

(12) **United States Design Patent**  
**Colombo**

(10) **Patent No.:** **US D572,609 S**  
(45) **Date of Patent:** **\*\* Jul. 8, 2008**

(54) **WRIST WATCH**

(76) Inventor: **Marco Colombo**, Via Tevere, 7, Lainate  
(Milano) (IT) I-20020

(\*) Notice: This patent is subject to a terminal disclaimer.

(\*\*) Term: **14 Years**

(21) Appl. No.: **29/250,085**

(22) Filed: **Nov. 1, 2006**

(30) **Foreign Application Priority Data**

May 2, 2006 (IT) ..... MI2006O000090

(51) **LOC (8) Cl.** ..... **10-02**

(52) **U.S. Cl.** ..... **D10/39**

(58) **Field of Classification Search** ..... D10/30-39,  
D10/123-126; 368/276, 278, 281, 282, 285,  
368/223, 21, 28, 228, 232

See application file for complete search history.

(56) **References Cited**

**U.S. PATENT DOCUMENTS**

414,190	A *	11/1889	Cloud	.....	368/80
2,361,563	A *	10/1944	Pellaton	.....	368/80
2,535,543	A *	12/1950	Maizlish et al.	.....	368/27
3,277,646	A *	10/1966	Howard, Sr.	.....	368/281
3,570,239	A *	3/1971	Charles	.....	368/11
4,855,973	A *	8/1989	Crocco	.....	368/282
4,964,092	A *	10/1990	Brida	.....	368/282
D318,809	S *	8/1991	Bourquin et al.	.....	D10/39
D324,001	S *	2/1992	Kerr	.....	D10/128

D362,396	S *	9/1995	Chester	.....	D10/32
D391,176	S *	2/1998	Bulgari	.....	D10/39
D433,949	S *	11/2000	Helleu	.....	D10/30
6,275,450	B1 *	8/2001	Makiba	.....	368/80
D452,175	S *	12/2001	Finazzi	.....	D10/39
D470,778	S *	2/2003	Berke	.....	D10/32
6,690,623	B1 *	2/2004	Maano	.....	368/82
D495,258	S *	8/2004	Jorgensen	.....	D10/32
D505,086	S *	5/2005	Fernandez	.....	D10/39
D520,380	S *	5/2006	Correia	.....	D10/31
D533,090	S *	12/2006	Bajulaz	.....	D10/39
D539,175	S *	3/2007	Bolt et al.	.....	D10/39

\* cited by examiner

*Primary Examiner*—Lucy Lieberman

(74) *Attorney, Agent, or Firm*—Shoemaker and Mattare

(57) **CLAIM**

The ornamental design for a wrist watch, as shown and described.

**DESCRIPTION**

FIG. 1 is a front, bottom and left side perspective view of a wrist watch, showing my new design;

FIG. 2 is a rear, top and left side perspective view thereof;

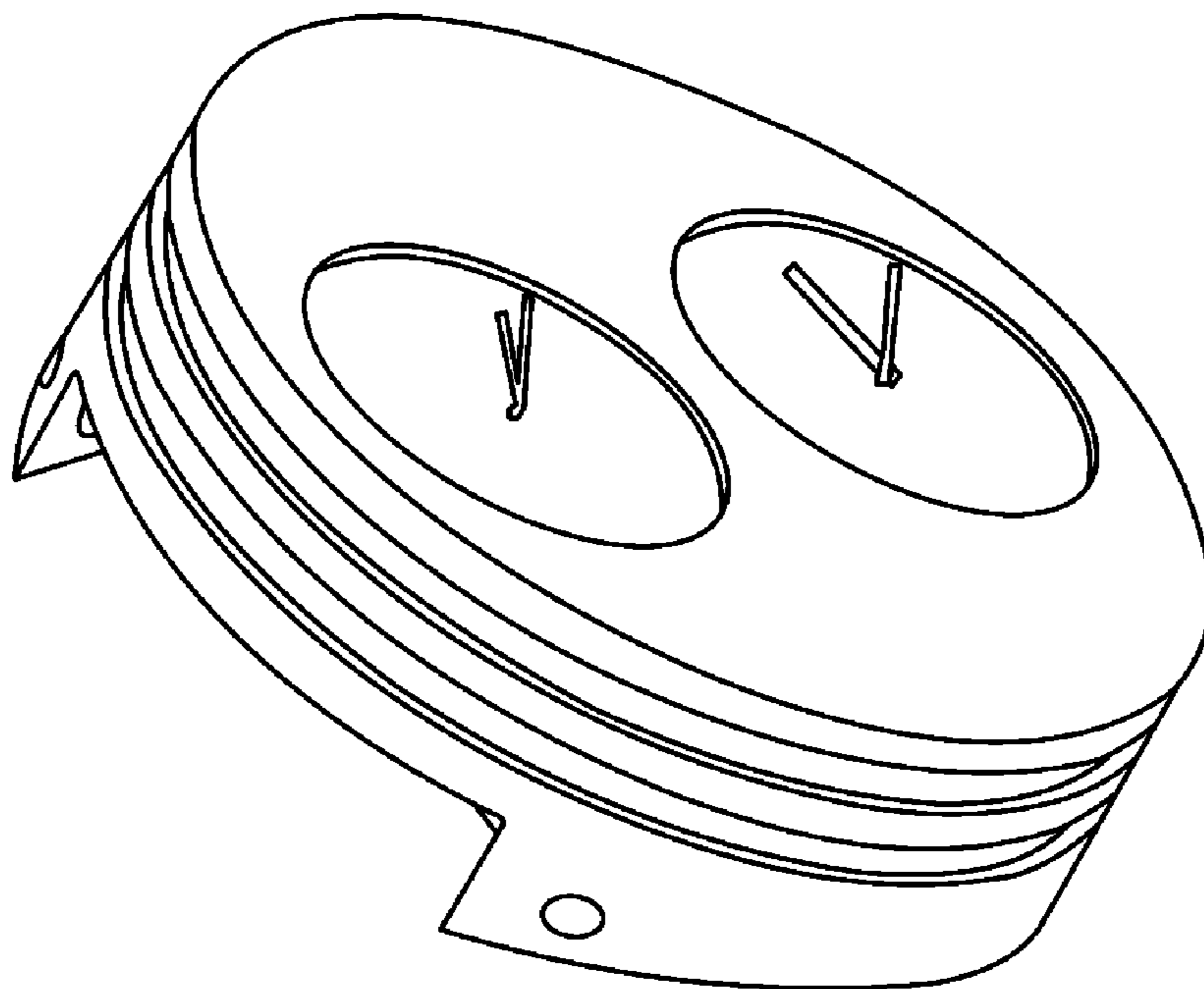
FIG. 3 is a front elevational view thereof;

FIG. 4 is a left side elevation of the wrist watch, the right side elevation being the same;

FIG. 5 is a top plan view of the wrist watch, the bottom plan view being the same; and,

FIG. 6 is a rear elevational view thereof.

**1 Claim, 6 Drawing Sheets**



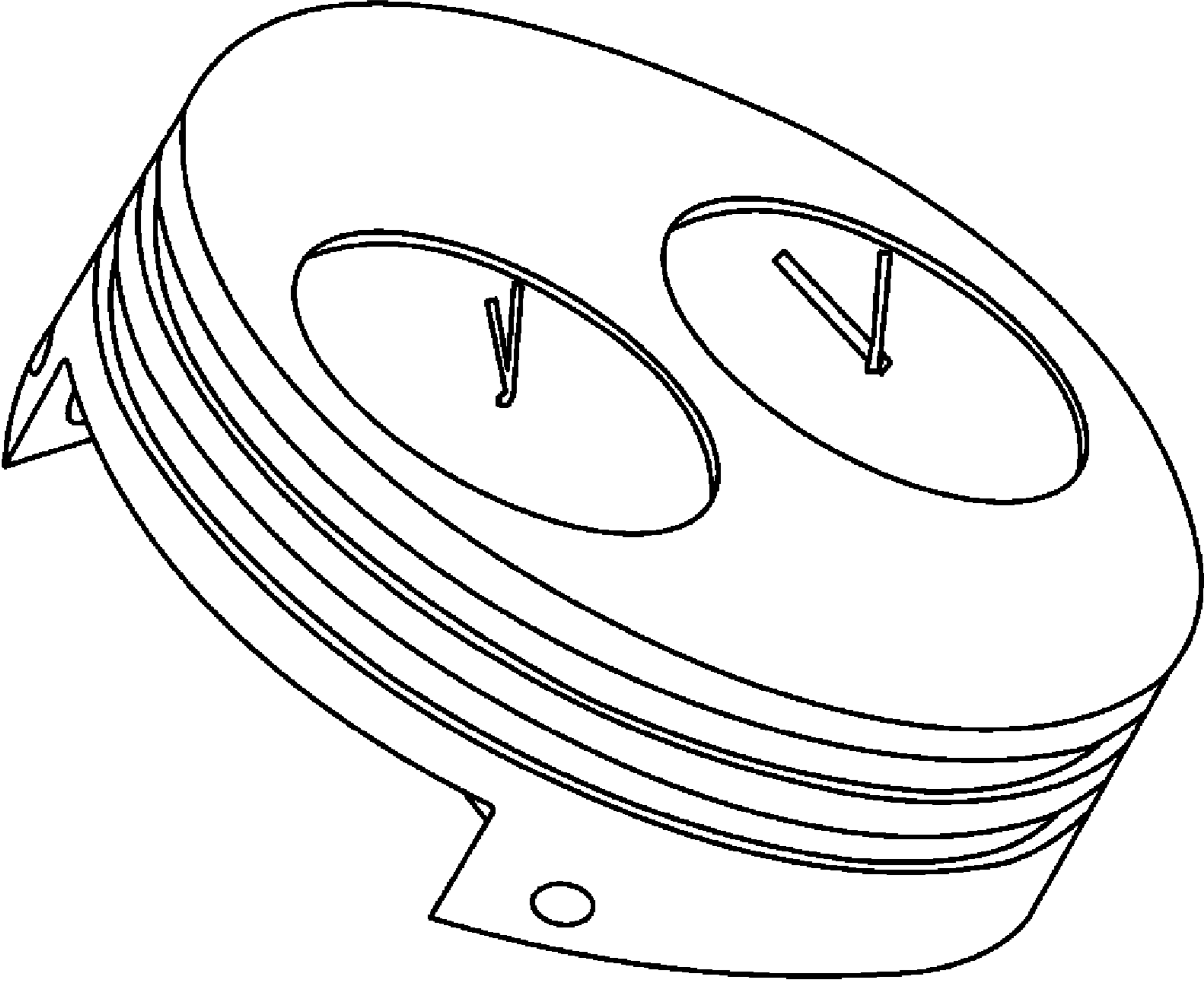


Fig. 1

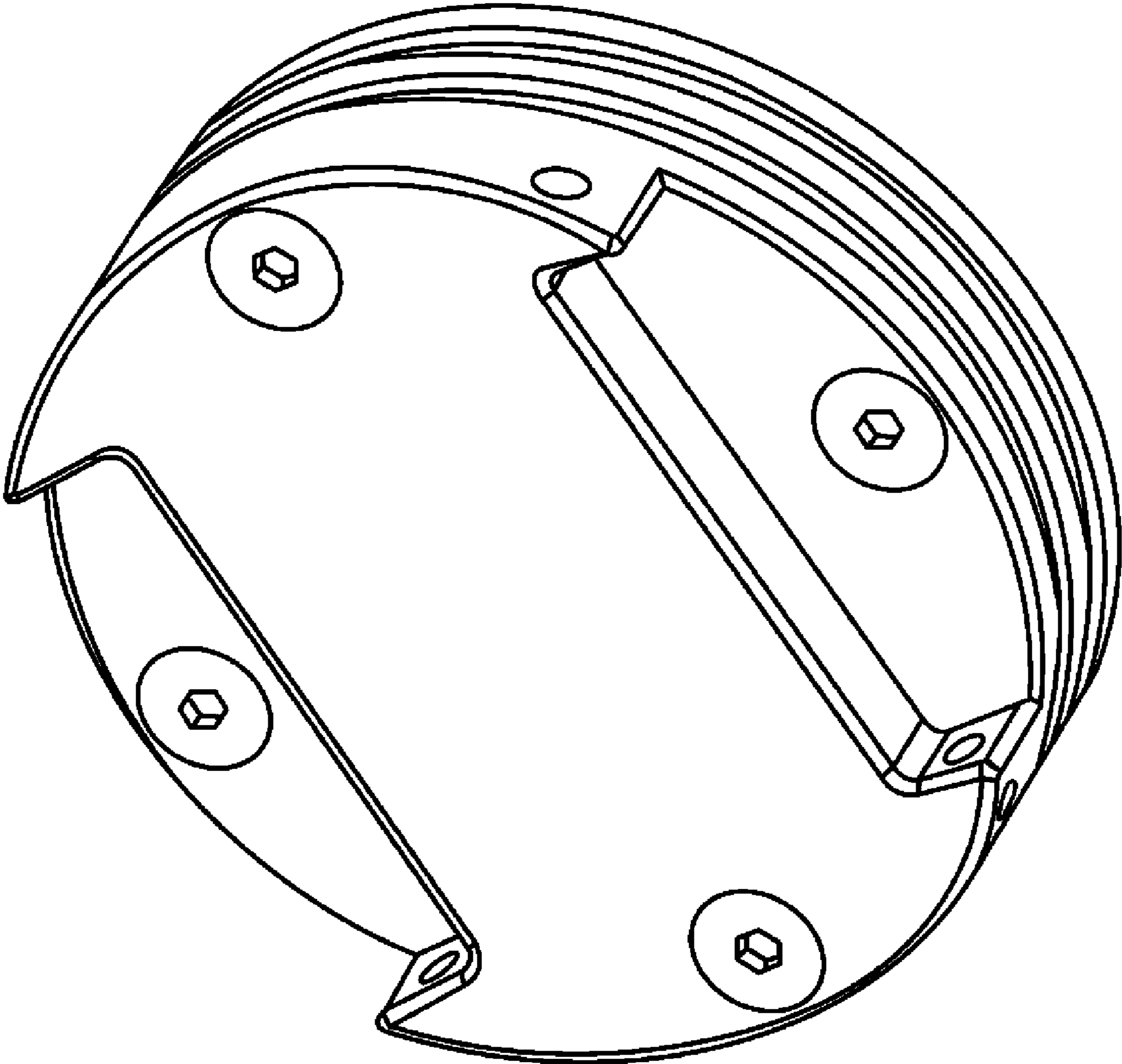
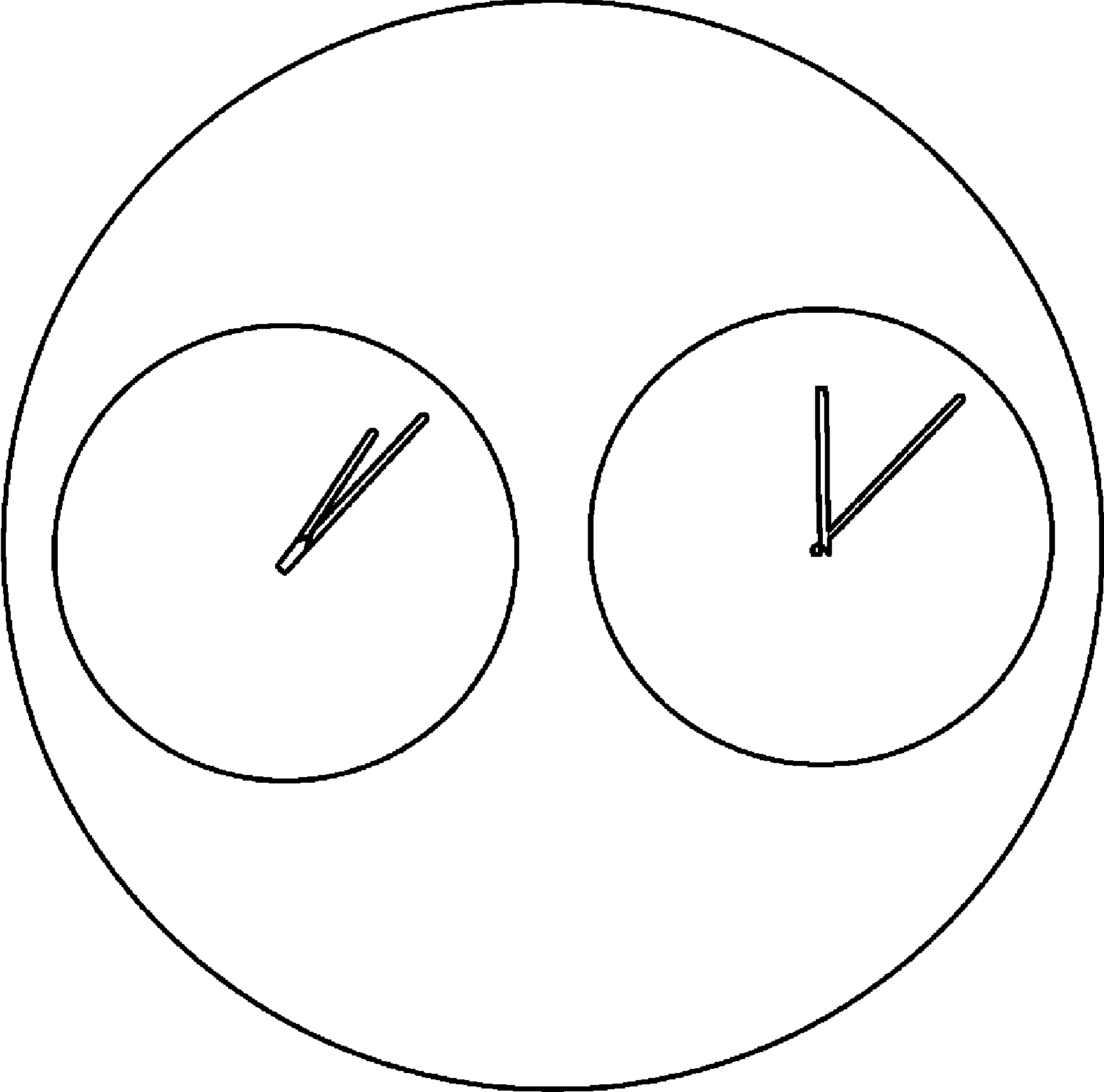


Fig. 2



**Fig. 3**

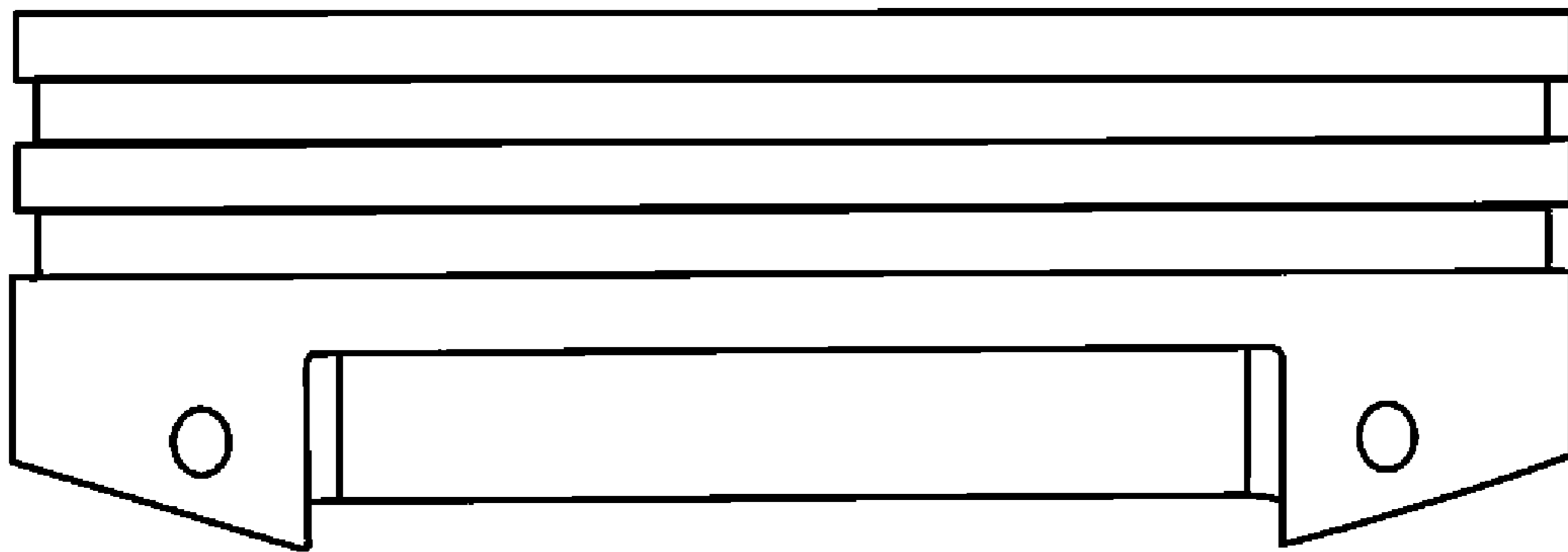
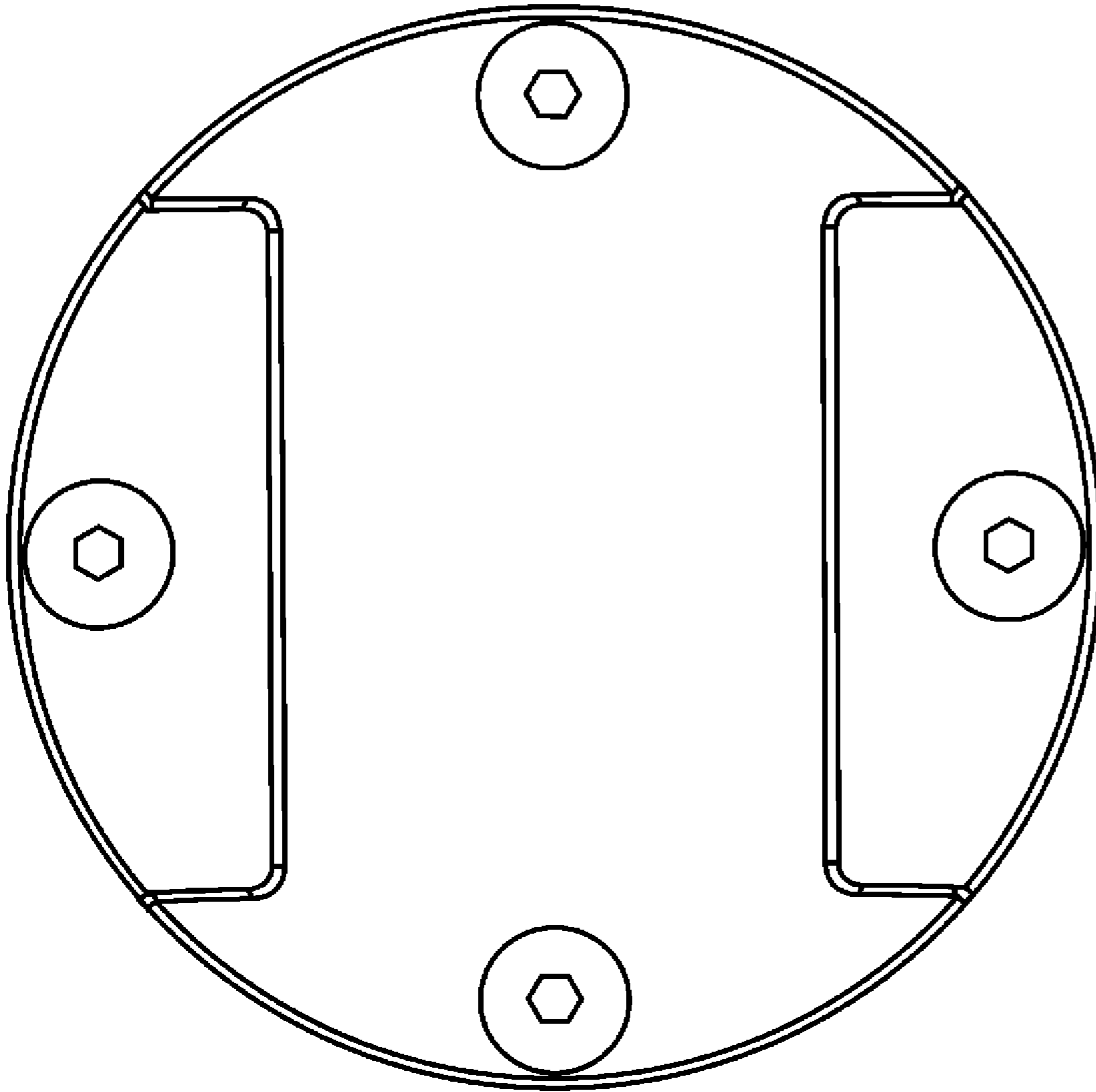


Fig. 4



Fig. 5



**Fig. 6**