



US00D572603S

(12) **United States Design Patent**
Josephs

(10) **Patent No.:** **US D572,603 S**
(45) **Date of Patent:** **** Jul. 8, 2008**

(54) **PIZZA SAVER BAG**

D476,883 S * 7/2003 Krohne D9/705
D510,686 S * 10/2005 Mounce D7/688

(76) Inventor: **Steven D. Josephs**, 2226 Gwenedd La.,
State College, PA (US) 16801

* cited by examiner

(**) Term: **14 Years**

Primary Examiner—Caron D. Veynar

Assistant Examiner—Abraham Bahta

(21) Appl. No.: **29/293,645**

(74) *Attorney, Agent, or Firm*—Richard L. Miller

(22) Filed: **Dec. 4, 2007**

(57) **CLAIM**

(51) **LOC (8) Cl.** **09-05**

The ornamental design for a pizza saver bag, as shown and described.

(52) **U.S. Cl.** **D9/709**

(58) **Field of Classification Search** D9/703–707,
D9/430–433, 414–416, 423, 426, 428; 206/525,
206/457, 557; 229/68.1, 87.05, 87.08, 107–108,
229/111, 115, 116.2, 123.3, 126, 129.1, 221,
229/223, 224, 238, 902–906, 924–926, 938;
283/116; D7/601, 602, 629

DESCRIPTION

See application file for complete search history.

FIG. 1 is a perspective view of a first embodiment of a pizza saver bag showing my new design;

FIG. 2 is a top elevational view, the bottoms elevational view being a mirror image thereof;

FIG. 3 is a right side elevational view, the left side being a mirror image thereof;

(56) **References Cited**

U.S. PATENT DOCUMENTS

D14,896 S *	3/1884	Wilson	D3/272
D85,410 S *	10/1931	Zupnik	D9/621
2,220,110 A	11/1940	Layton		
2,452,969 A	11/1948	Victor		
3,620,411 A	11/1971	Rump		
RE29,185 E	4/1977	Tolaas		
4,492,333 A	1/1985	Roberts		
4,784,864 A *	11/1988	Ikeda	426/115
4,811,846 A	3/1989	Bottega		
D306,405 S *	3/1990	Kuerti	D9/424
4,947,993 A	8/1990	Bruml et al.		
5,076,437 A	12/1991	Schindler		
5,098,013 A	3/1992	France et al.		
5,118,033 A *	6/1992	Kula	229/115
D369,540 S *	5/1996	Weder et al.	D9/629
6,230,917 B1	5/2001	Whitnell		
6,299,918 B1 *	10/2001	Morgese	426/112

FIG. 4 is a front elevational view thereof;

FIG. 5 is a rear elevational view thereof;

FIG. 6 is a perspective view of a second embodiment of a pizza saver bag showing my new design;

FIG. 7 is a top elevational view, the bottoms elevational view being a mirror image thereof;

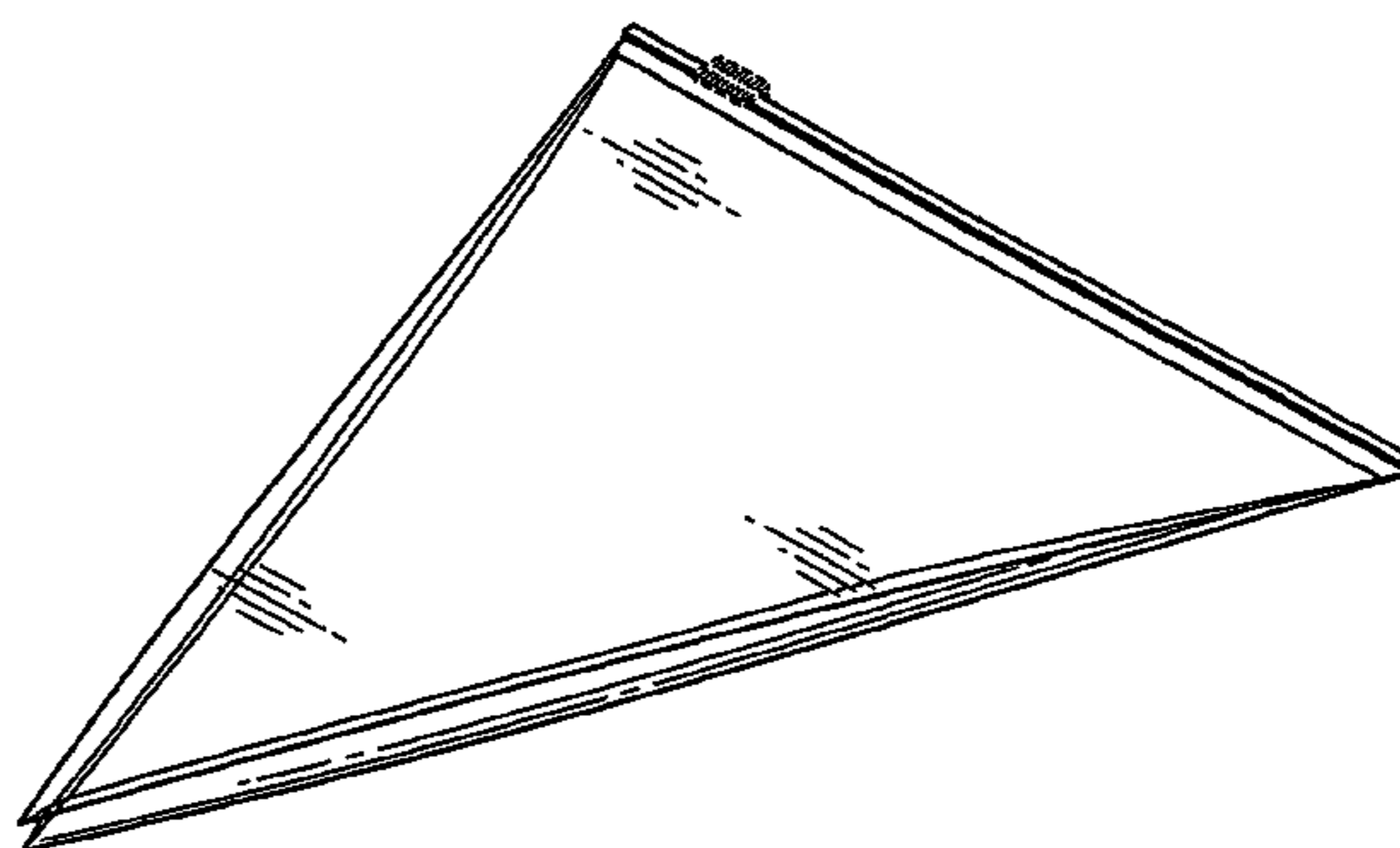
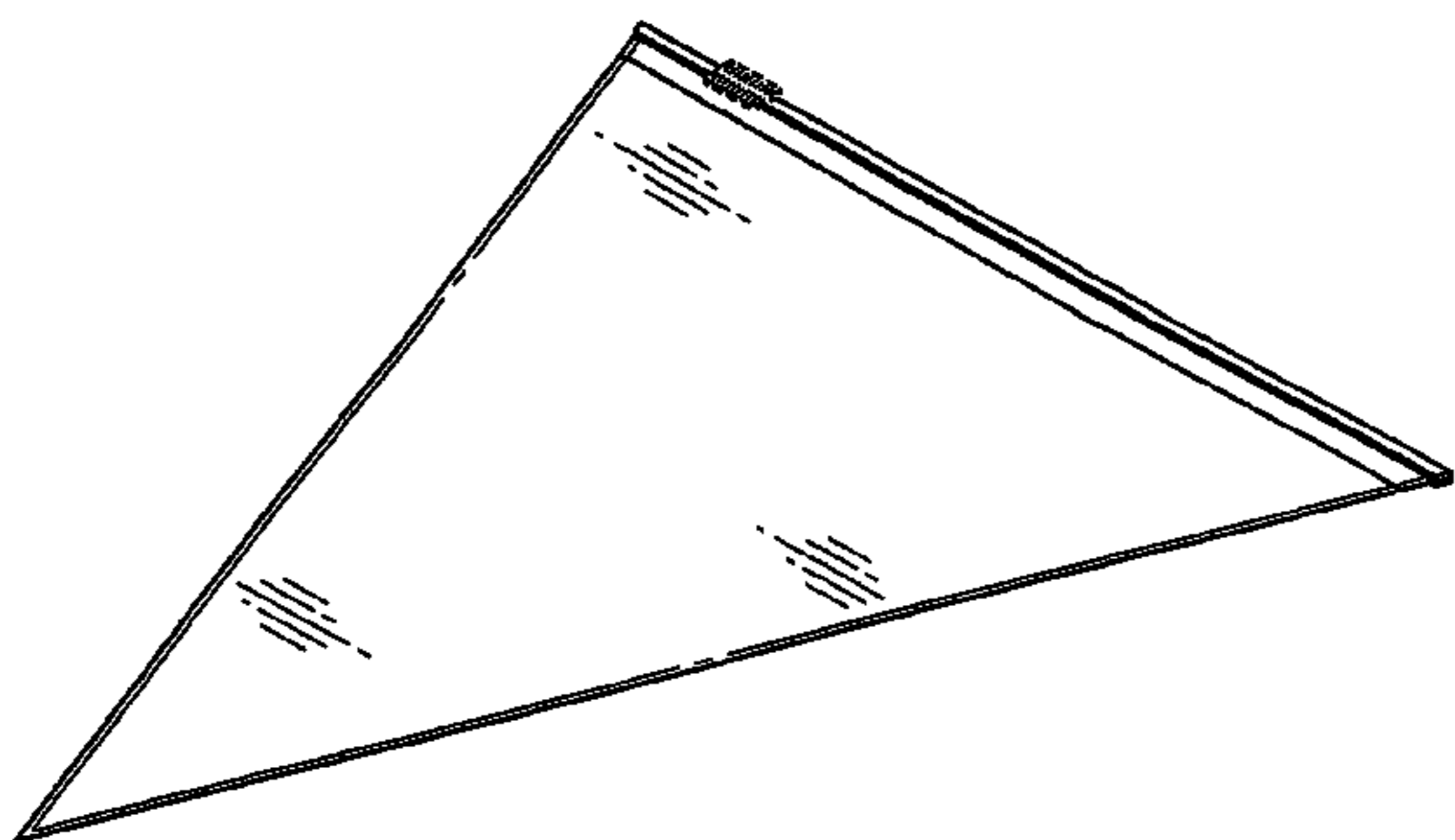
FIG. 8 is a right side elevational view, the left side being a mirror image thereof;

FIG. 9 is a front elevational view thereof; and,

FIG. 10 is a rear elevational view thereof.

The broken lines showing the mechanical sliding fastener device in FIGS. 1–10 are for illustrative purposes only and form no part of the claimed design.

1 Claim, 2 Drawing Sheets



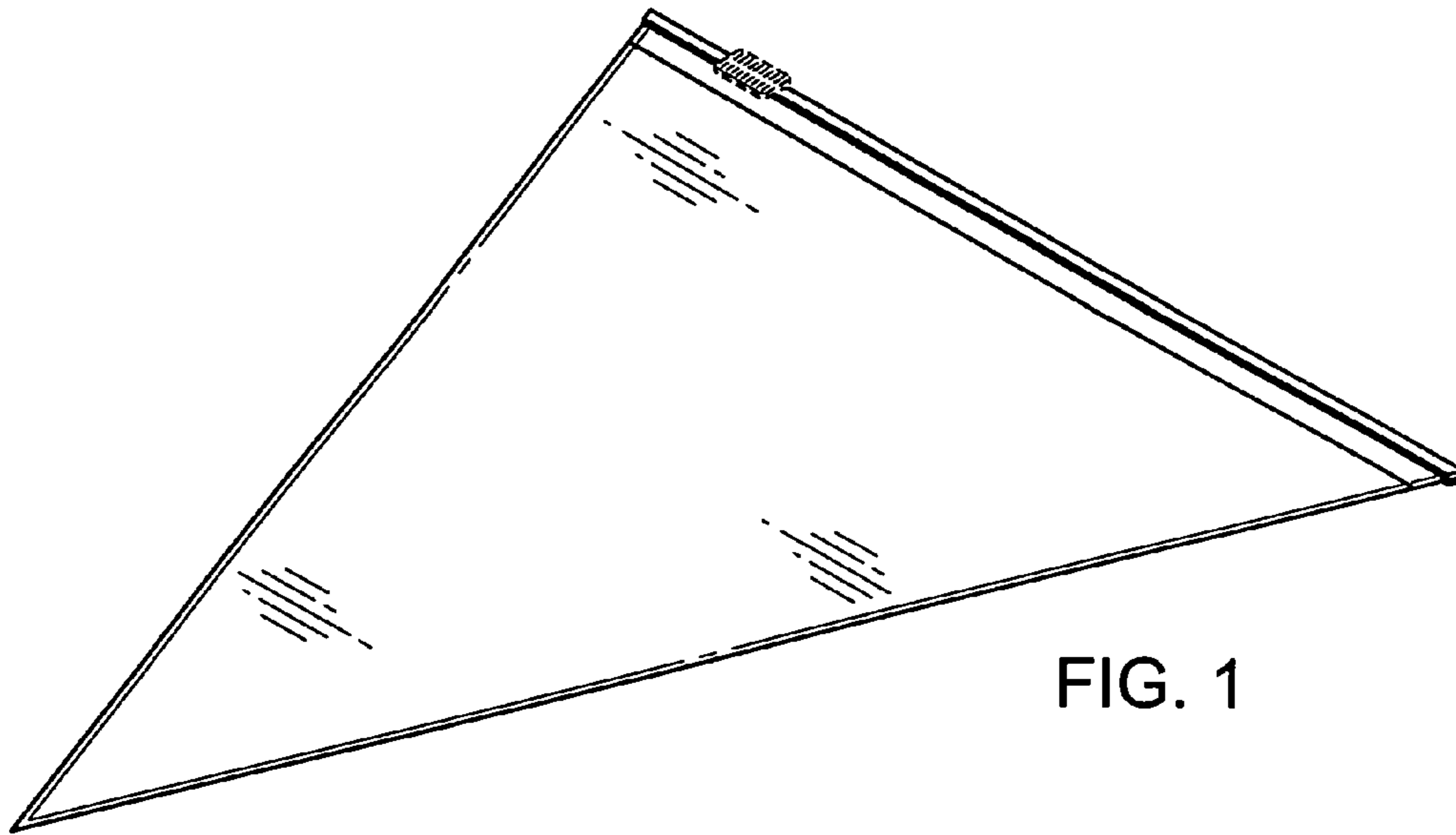


FIG. 1

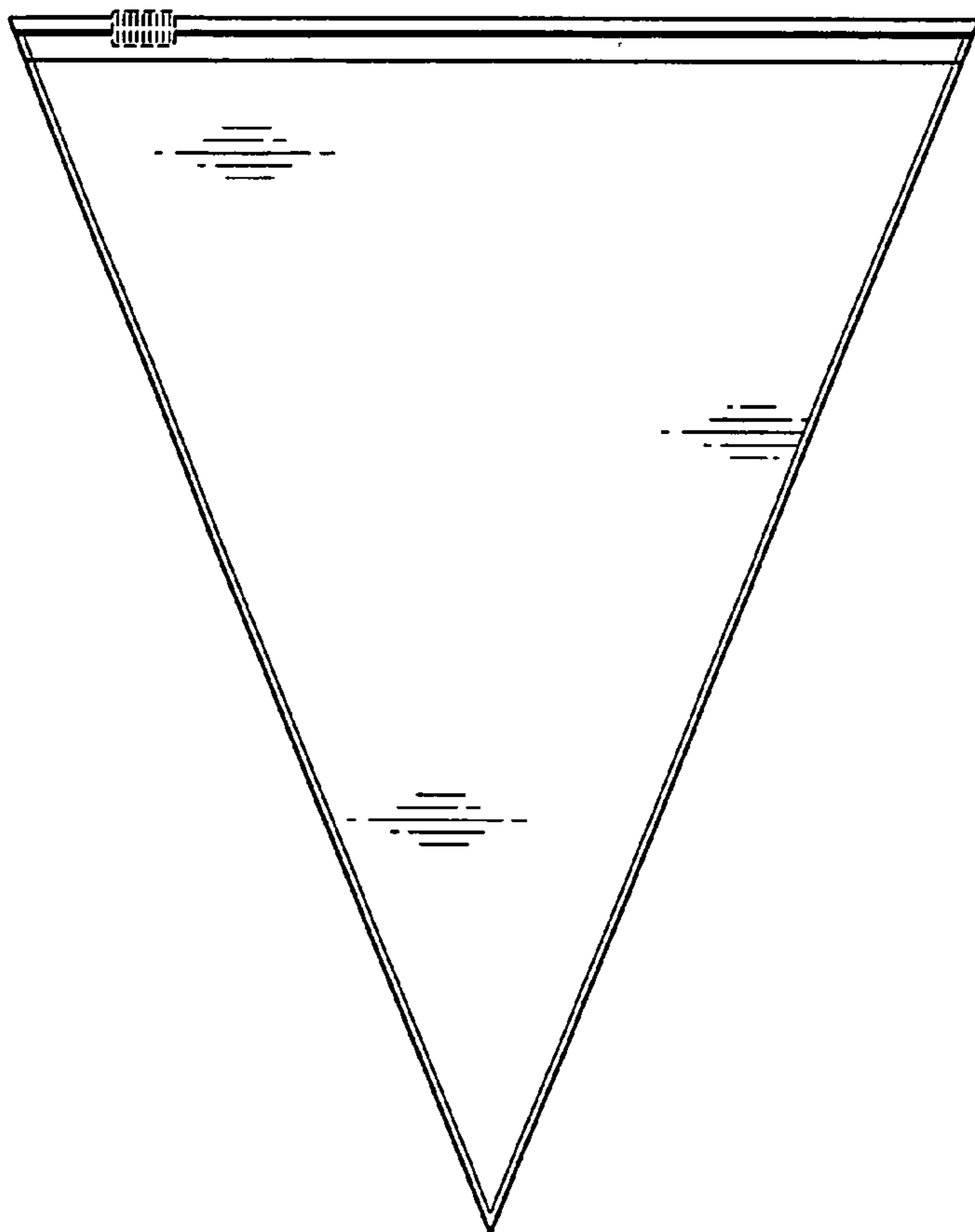


FIG. 2



FIG. 3



FIG. 4



FIG. 5

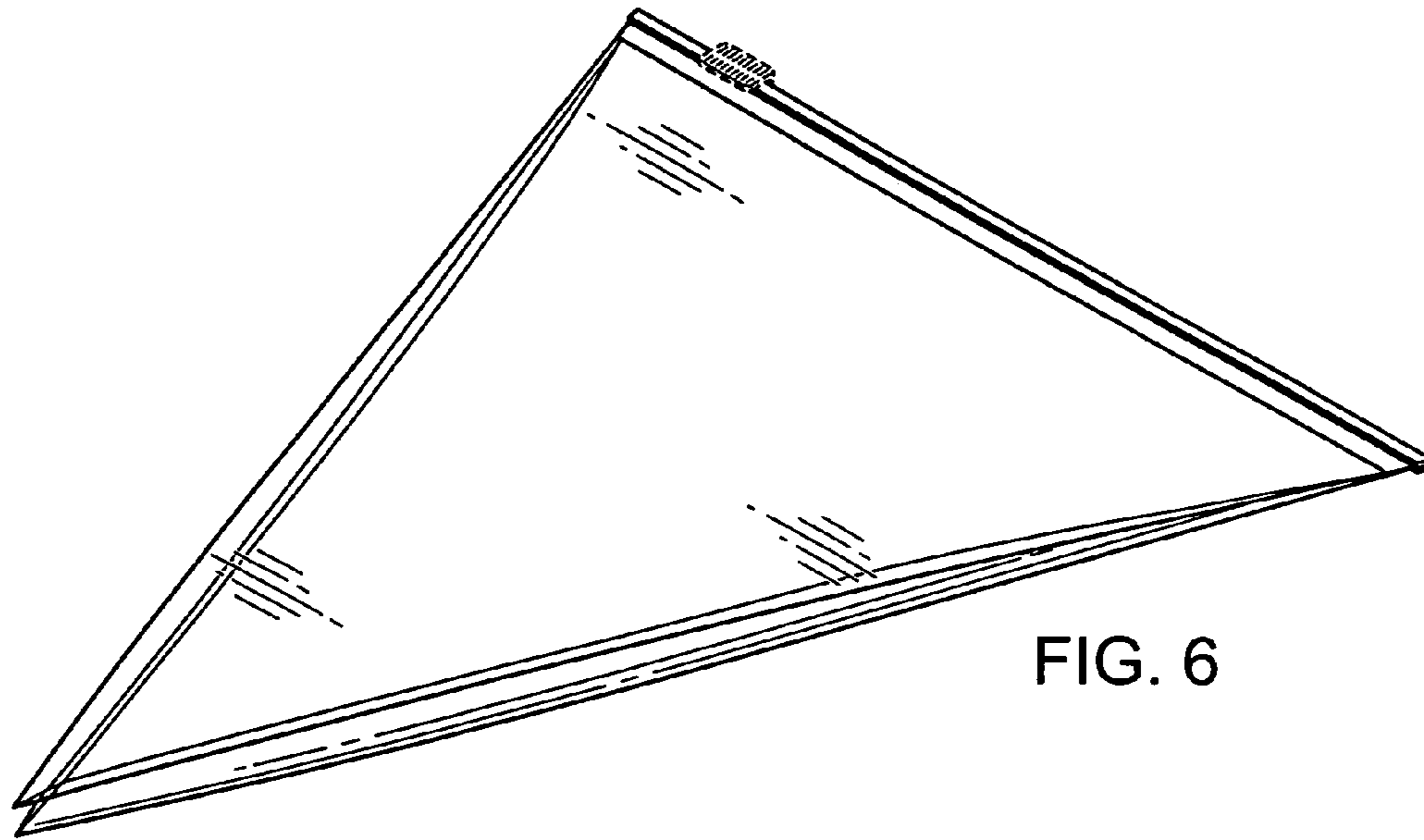


FIG. 6

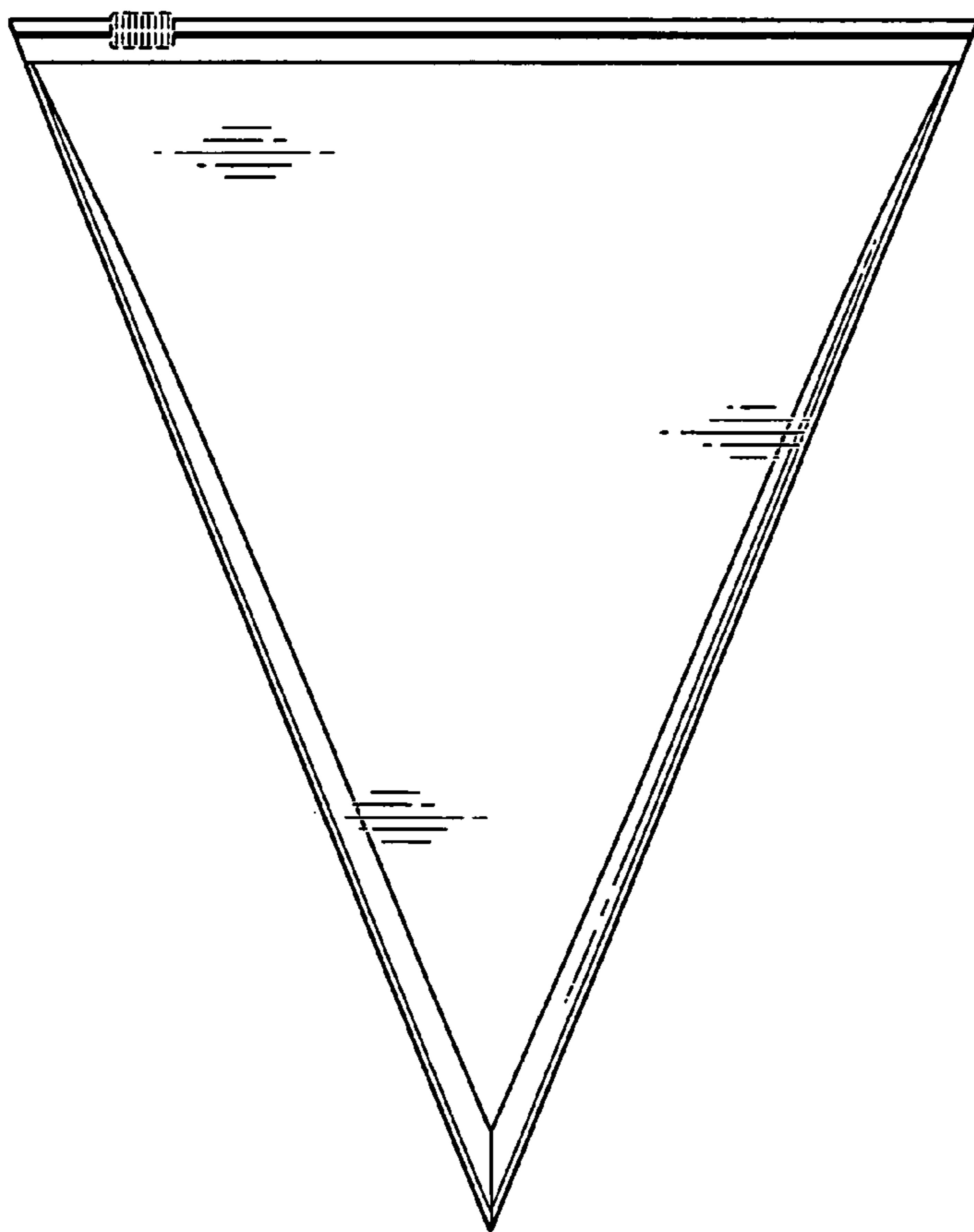


FIG. 7



FIG. 8



FIG. 9



FIG. 10