



US00D572600S

(12) **United States Design Patent**
Zboch et al.

(10) **Patent No.:** **US D572,600 S**
(45) **Date of Patent:** **** Jul. 8, 2008**

(54) **PORTION OF A BOTTLE**

(75) Inventors: **Gerald Zboch**, Barrington, IL (US);
Brent S. Nelson, Lakewood, IL (US)

(73) Assignee: **Stokely-Van Camp, Inc.**, Chicago, IL (US)

(**) Term: **14 Years**

(21) Appl. No.: **29/281,633**

(22) Filed: **Jun. 27, 2007**

Related U.S. Application Data

(62) Division of application No. 29/233,357, filed on Jun. 30, 2005, now Pat. No. Des. 550,096.

(51) **LOC (8) Cl.** **09-01**

(52) **U.S. Cl.** **D9/667; D9/539**

(58) **Field of Classification Search** D9/600,
D9/667, 500-505, 516, 530, 537-546, 549-551,
D9/556-561, 564; 215/379-383, 400; 206/457,
206/459.1, 459.5, 822-823; 220/890
See application file for complete search history.

(56) **References Cited**

U.S. PATENT DOCUMENTS

D446,446 S *	8/2001	Bretz et al.	D9/667
D446,711 S *	8/2001	Bretz et al.	D9/667
D449,980 S *	11/2001	Piccioli et al.	D9/667
D505,334 S *	5/2005	Bretz et al.	D9/667
D506,679 S *	6/2005	Bretz et al.	D9/667
D510,275 S *	10/2005	Bretz et al.	D9/667
D512,325 S *	12/2005	Bretz et al.	D9/667
D513,191 S *	12/2005	Bretz et al.	D9/667

* cited by examiner

Primary Examiner—Sandra Morris

(74) *Attorney, Agent, or Firm*—Banner & Witcoff, Ltd.

(57) **CLAIM**

The ornamental design for a portion of a bottle, as shown and described.

DESCRIPTION

FIG. 1 is a perspective view of a portion of a bottle showing our new design;

FIG. 2 is a front elevation plan view thereof, the opposite side being identical;

FIG. 3 is a side elevation plan view thereof representing a partial rotation of the bottle about its vertical axis, the opposite side being identical;

FIG. 4 is a top view thereof;

FIG. 5 is a bottom view thereof;

FIG. 6 is a perspective view of a portion of a bottle depicting a second embodiment of the new design;

FIG. 7 is a perspective view of a portion of a bottle depicting a third embodiment of the new design;

FIG. 8 is a side elevation plan view thereof, the opposite side being identical;

FIG. 9 is a side elevation plan view thereof representing a partial rotation of the bottle about its vertical axis, the opposite side being identical;

FIG. 10 is a top view thereof;

FIG. 11 is a bottom view thereof; and,

FIG. 12 is a perspective view of a portion of a bottle depicting a fourth embodiment of the new design.

The broken line showings immediately adjacent to the shaded areas represent unclaimed boundaries of the design and form no part of the claimed design. The remaining broken line showings of the rest of the bottle are for illustrative purposes only and form no part of the claimed design.

1 Claim, 10 Drawing Sheets

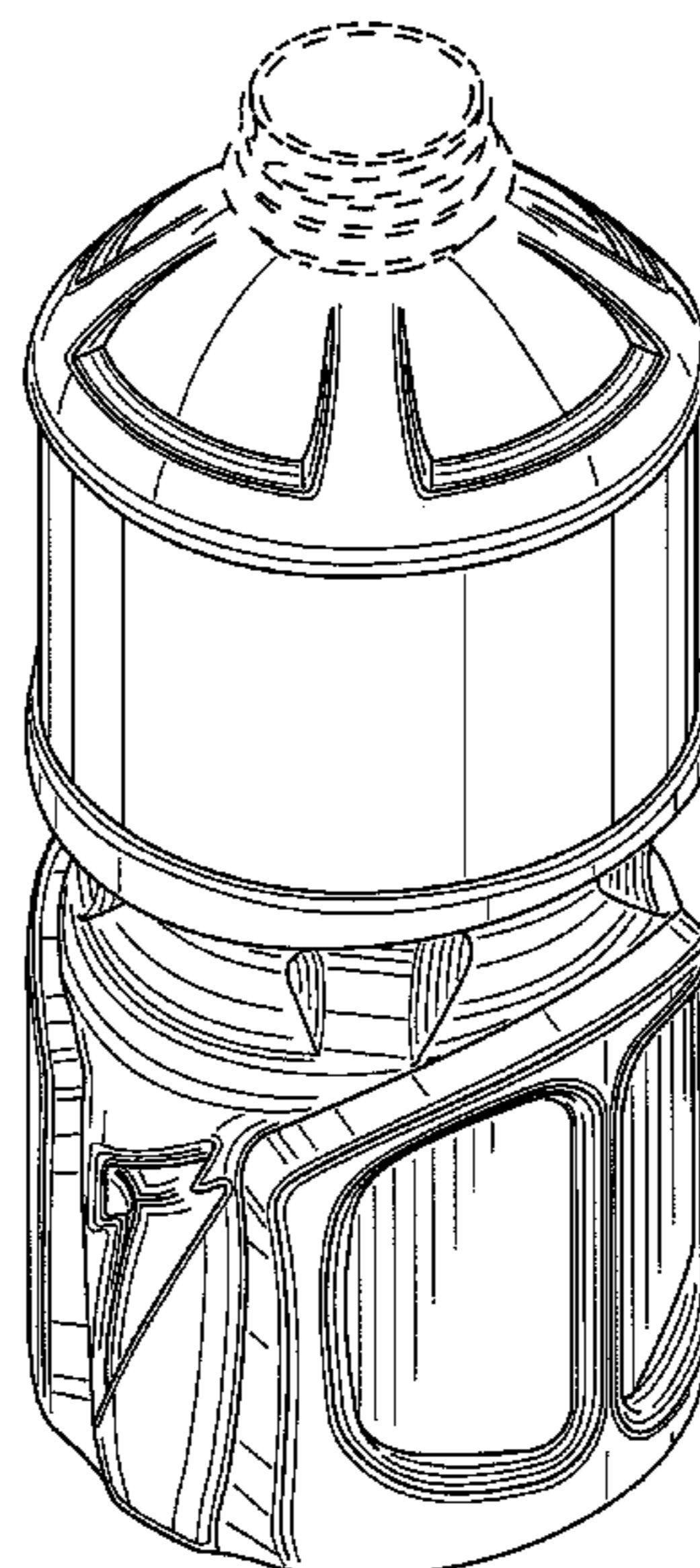


Fig. 1

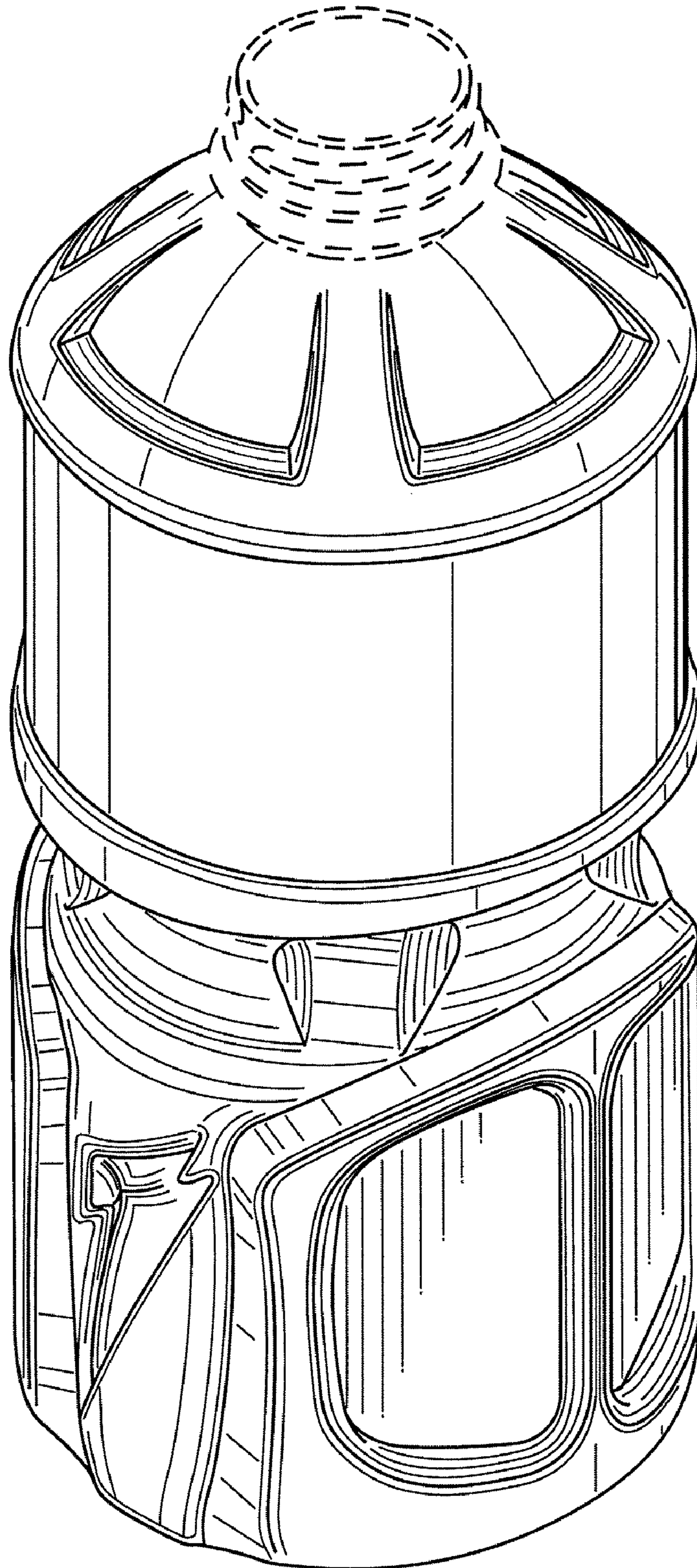


Fig. 2

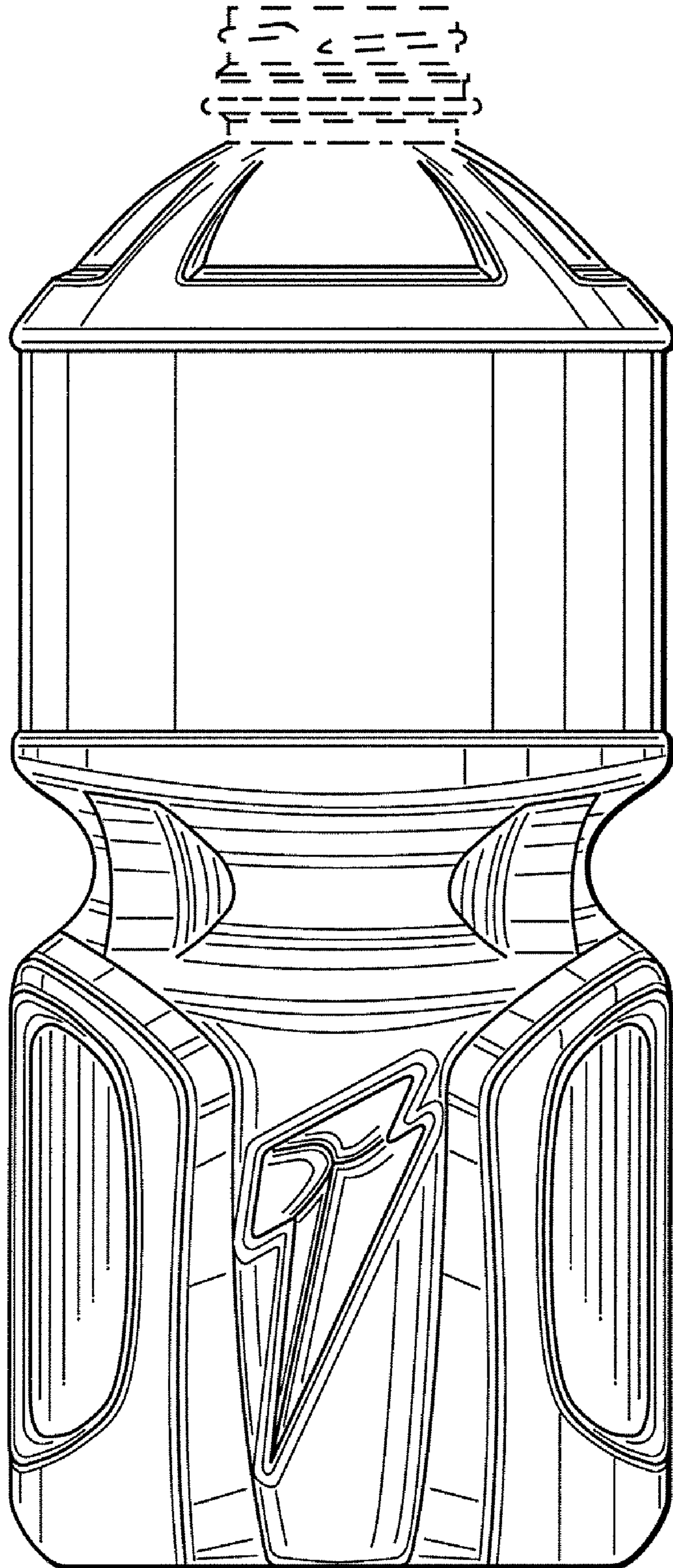


Fig. 3

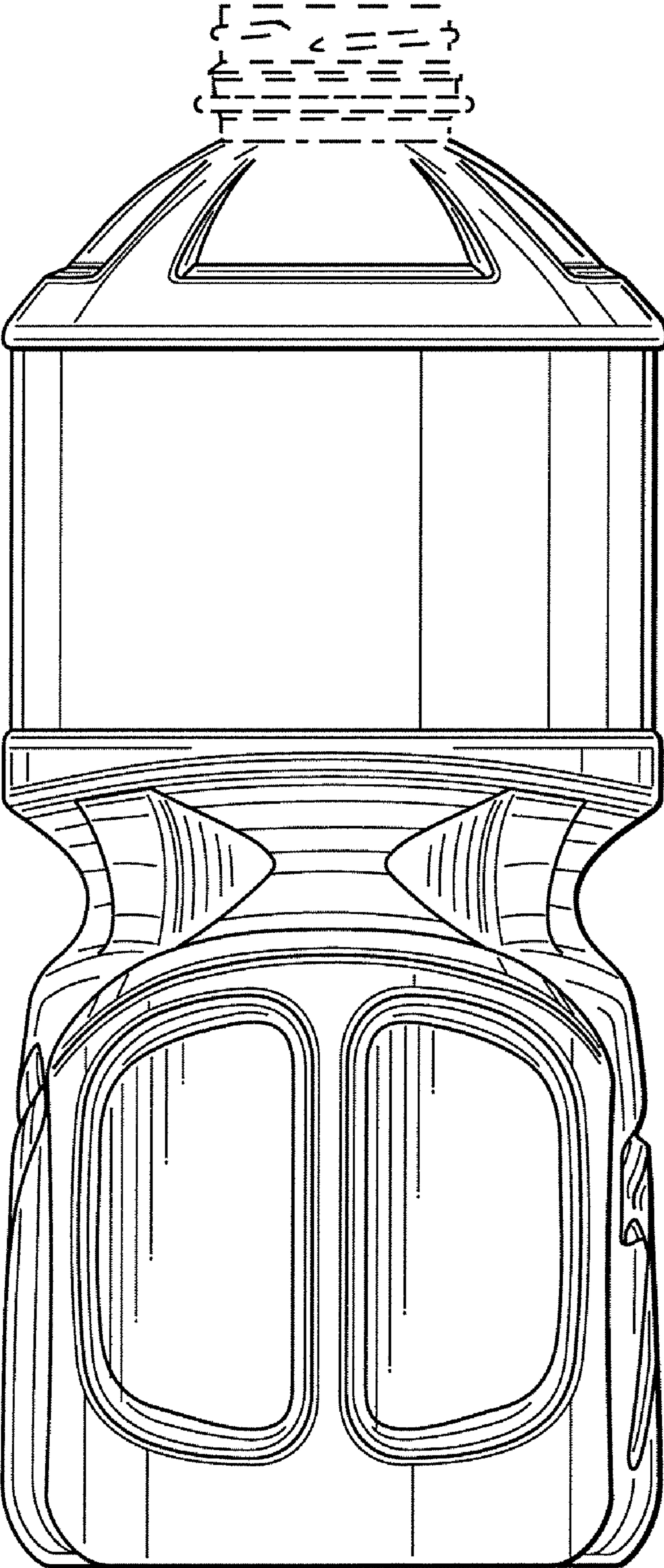


Fig. 4

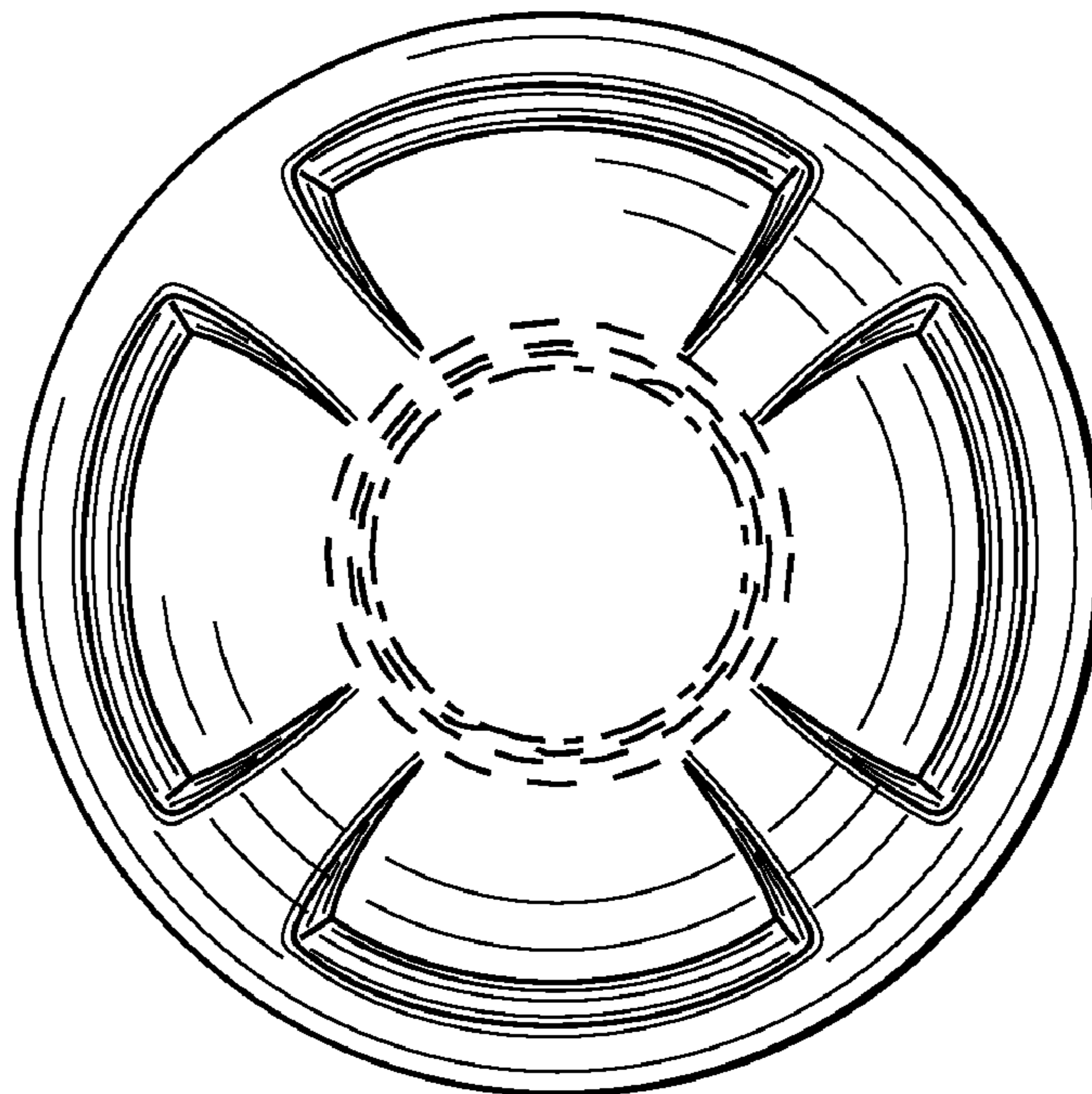


Fig. 5

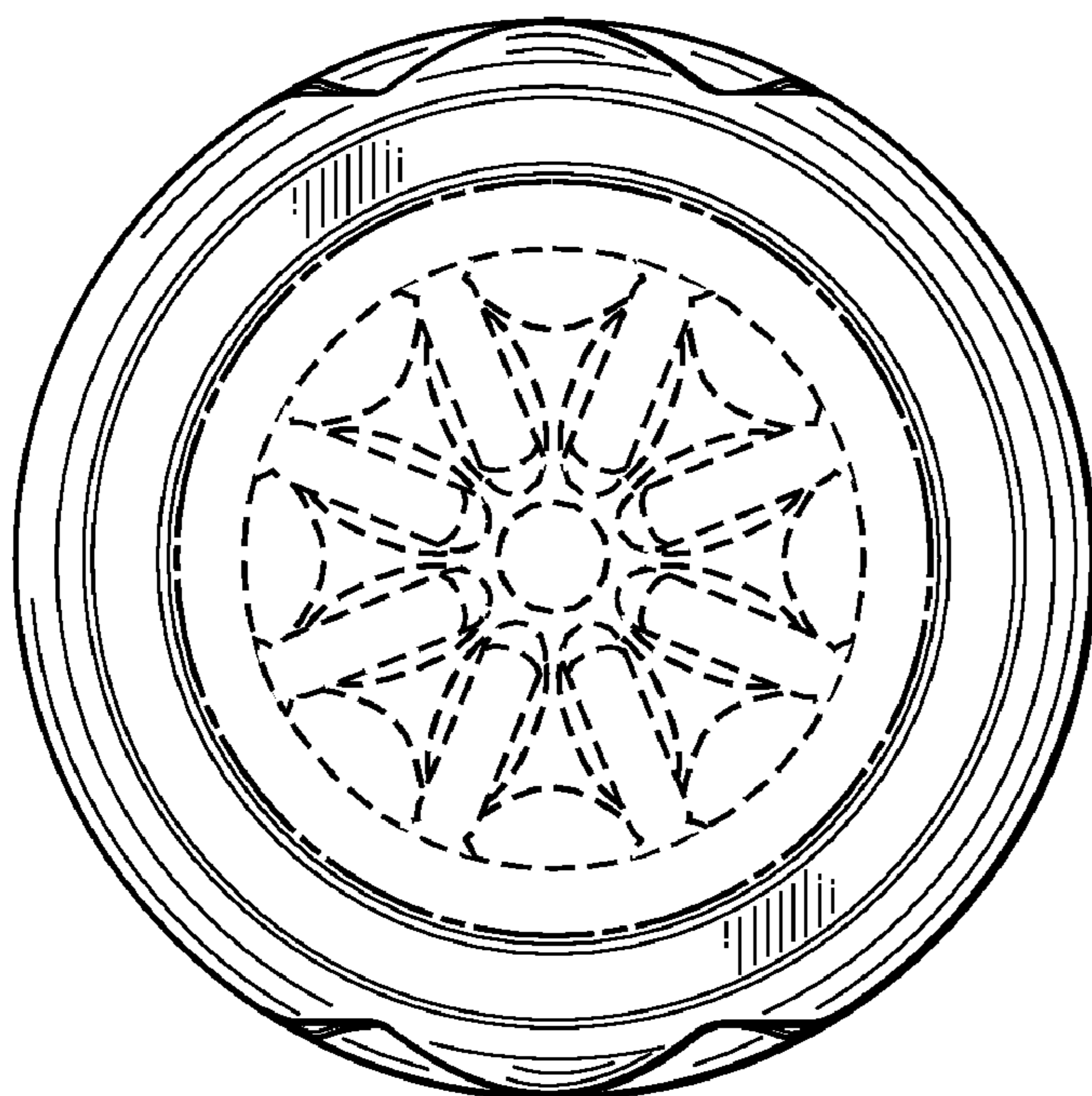


Fig. 6

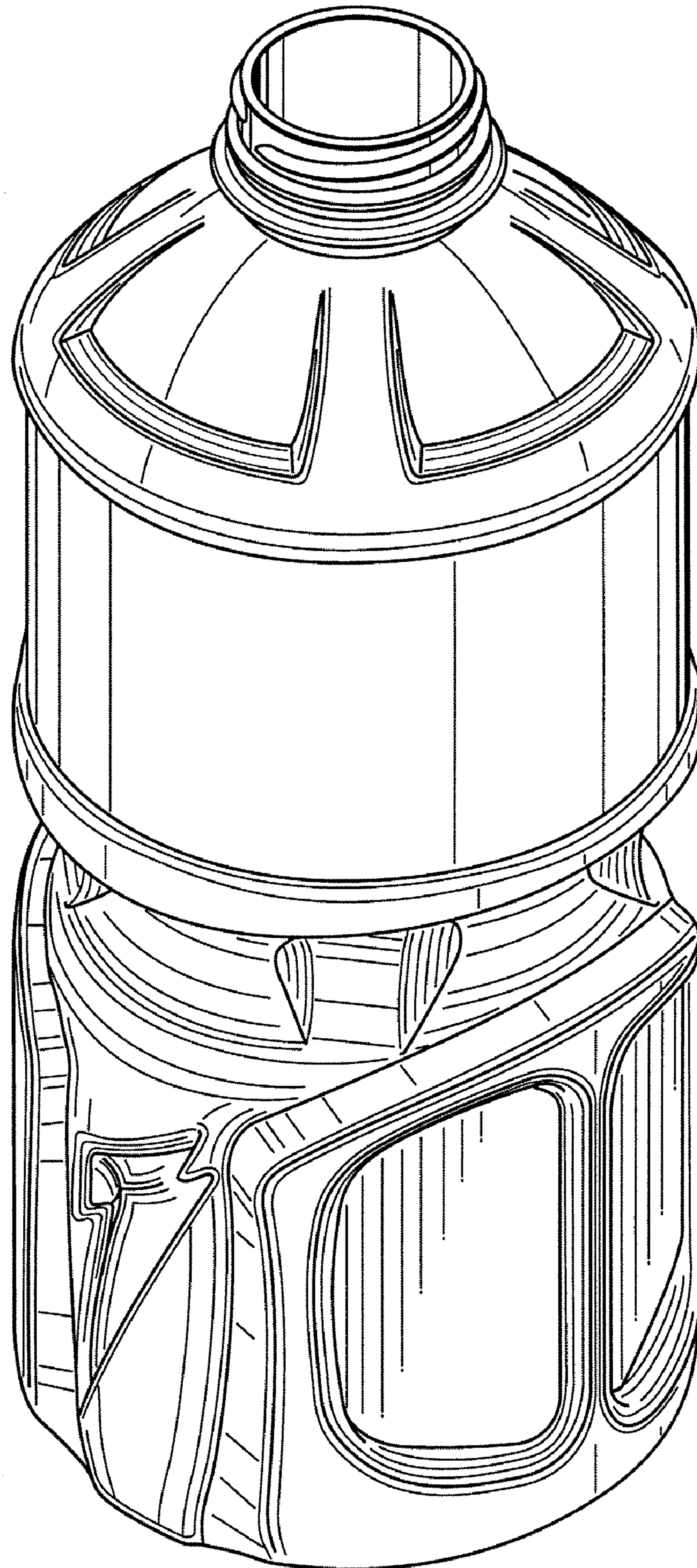


Fig. 7

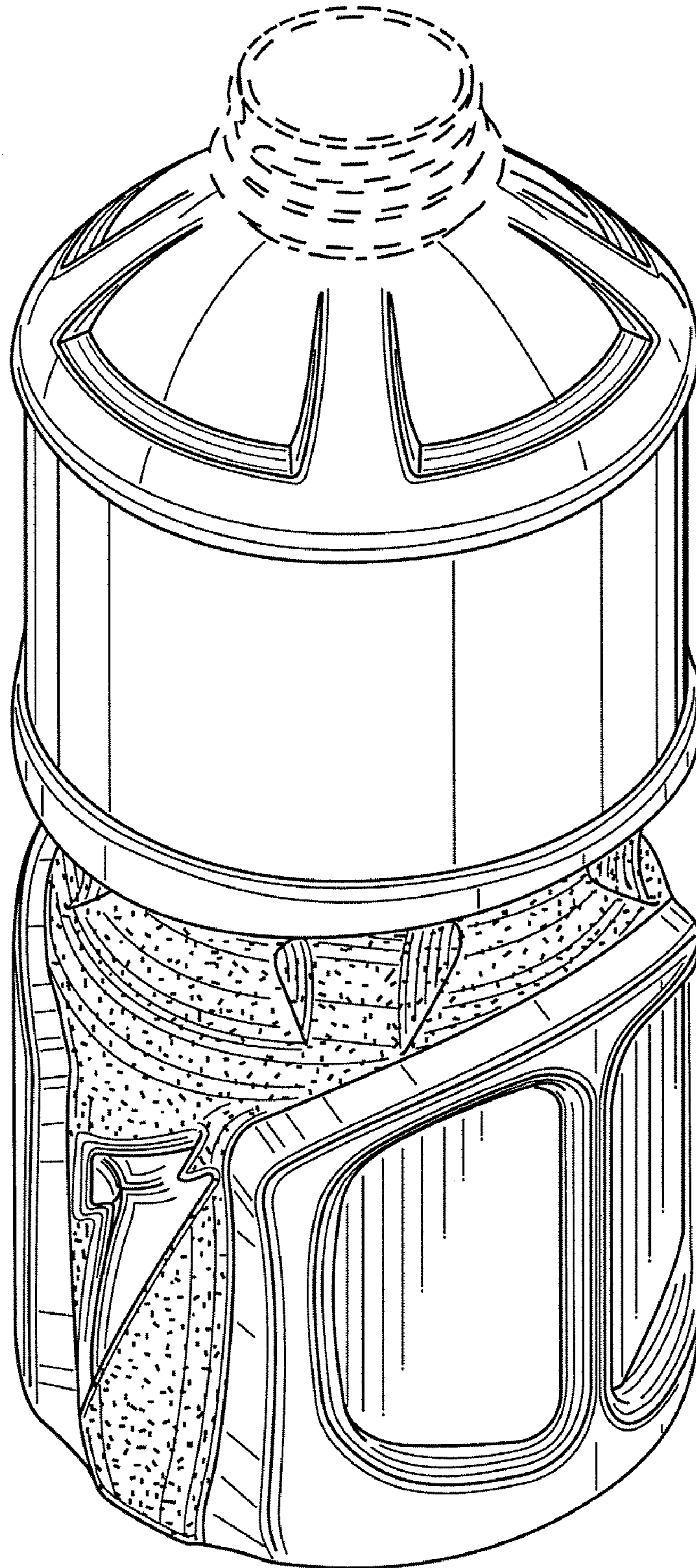


Fig. 8

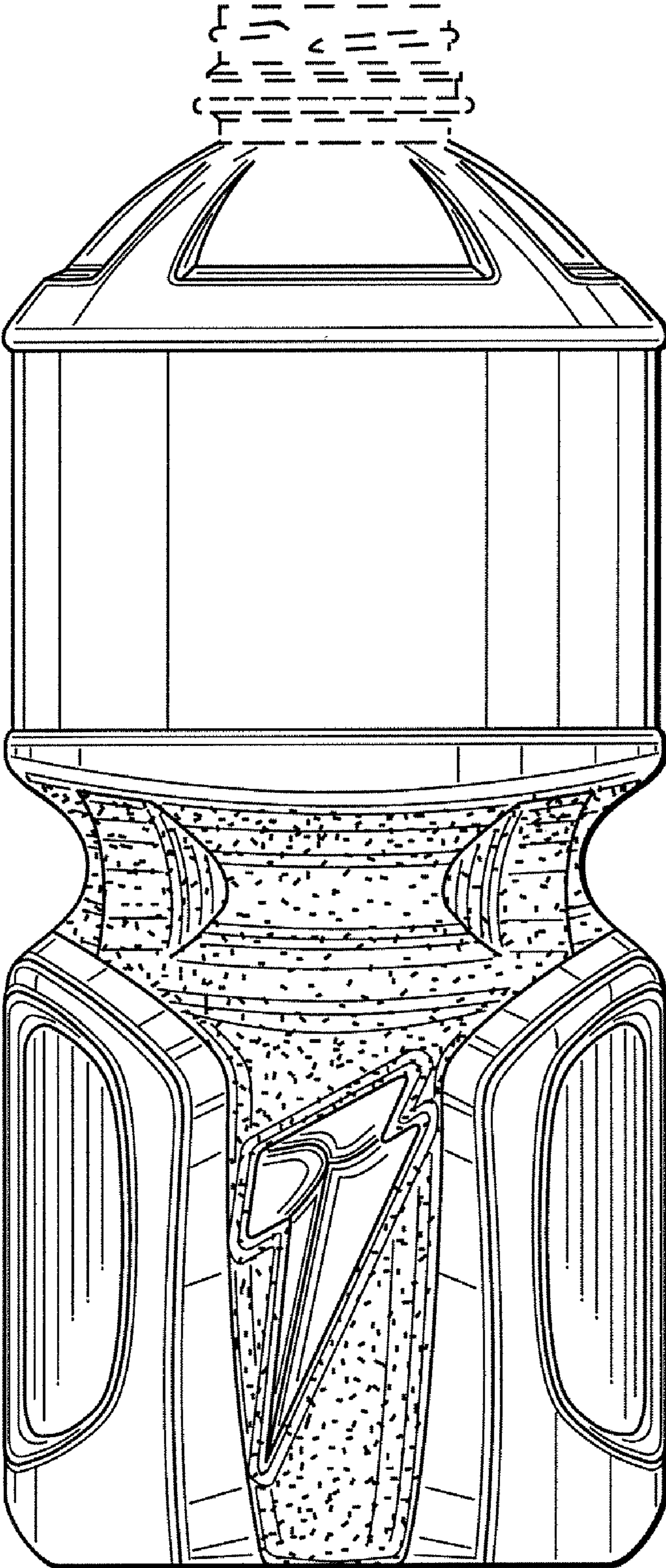


Fig. 9

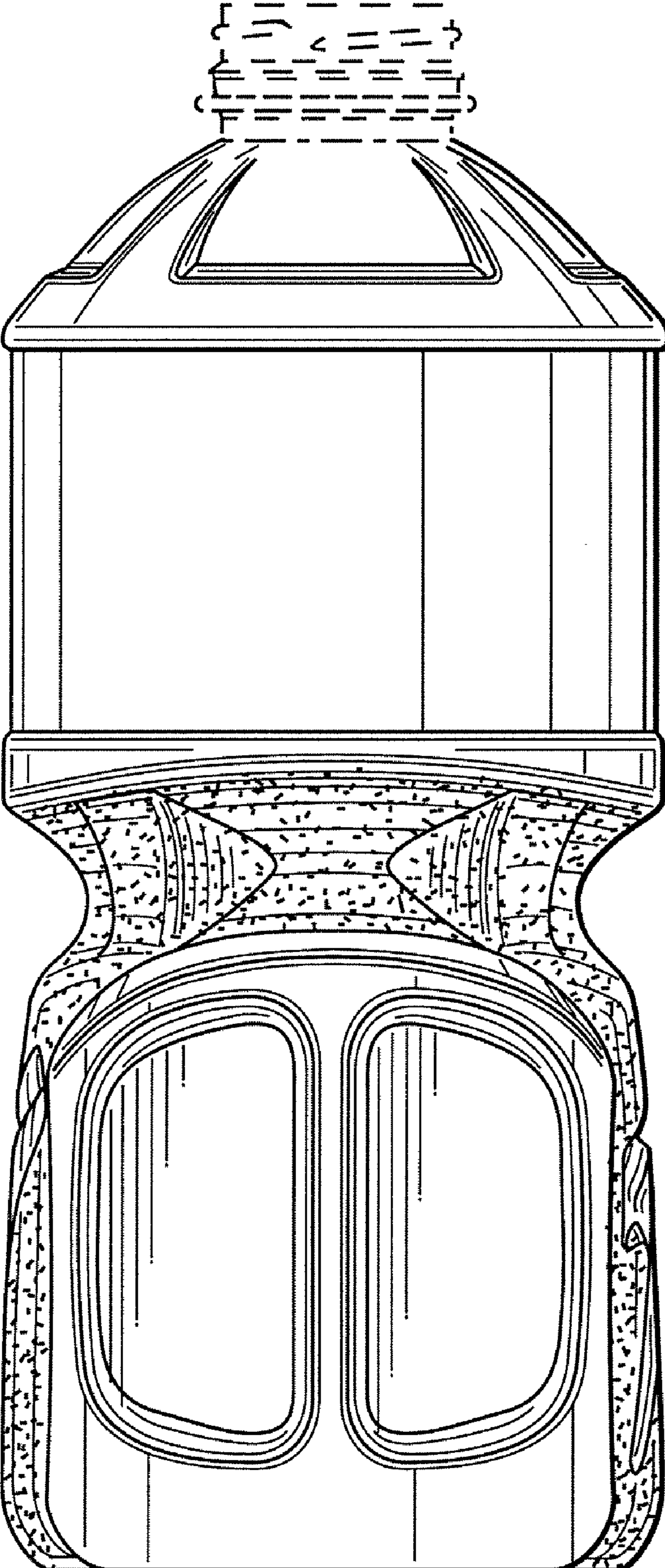


Fig. 10

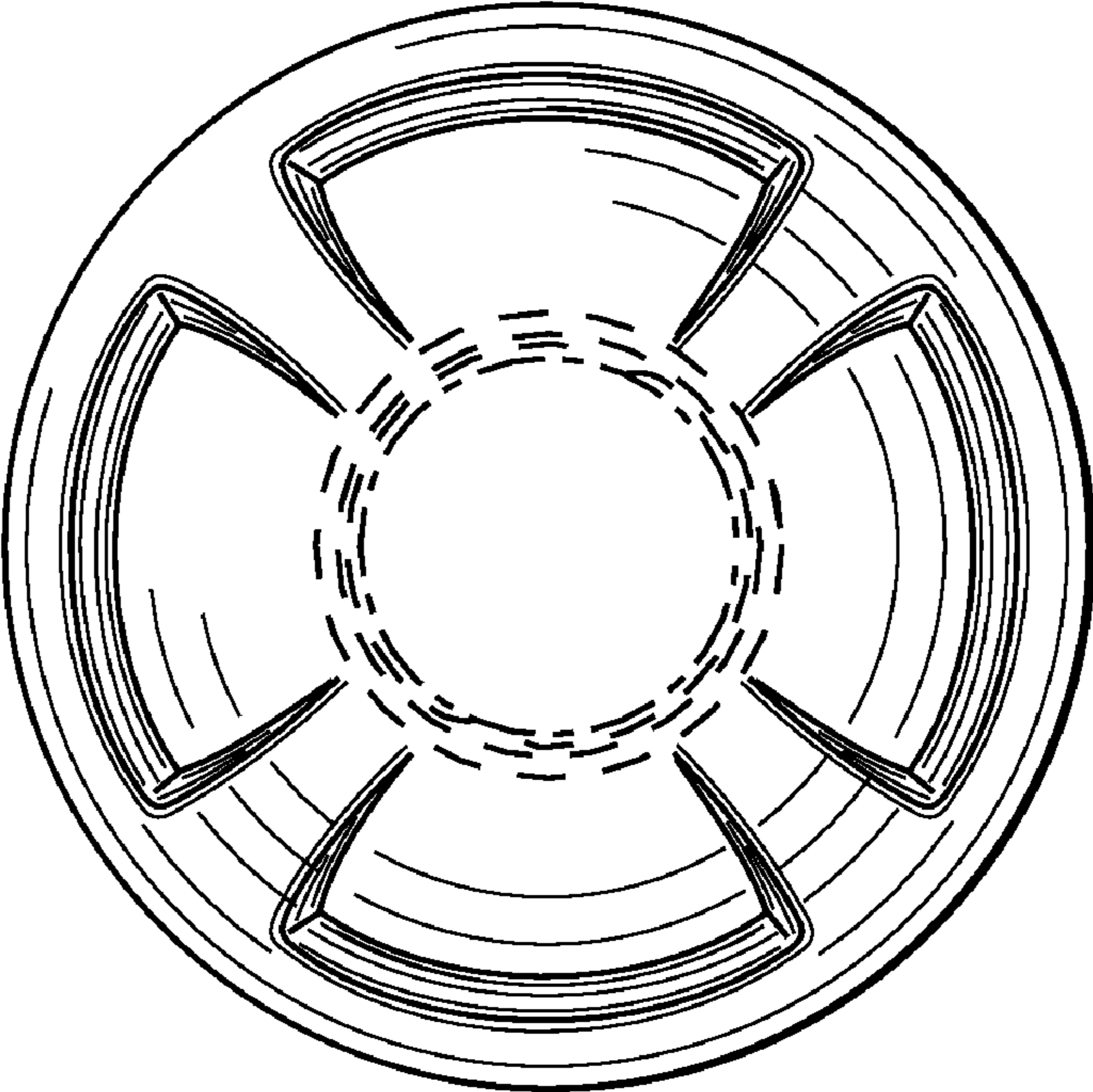


Fig. 11

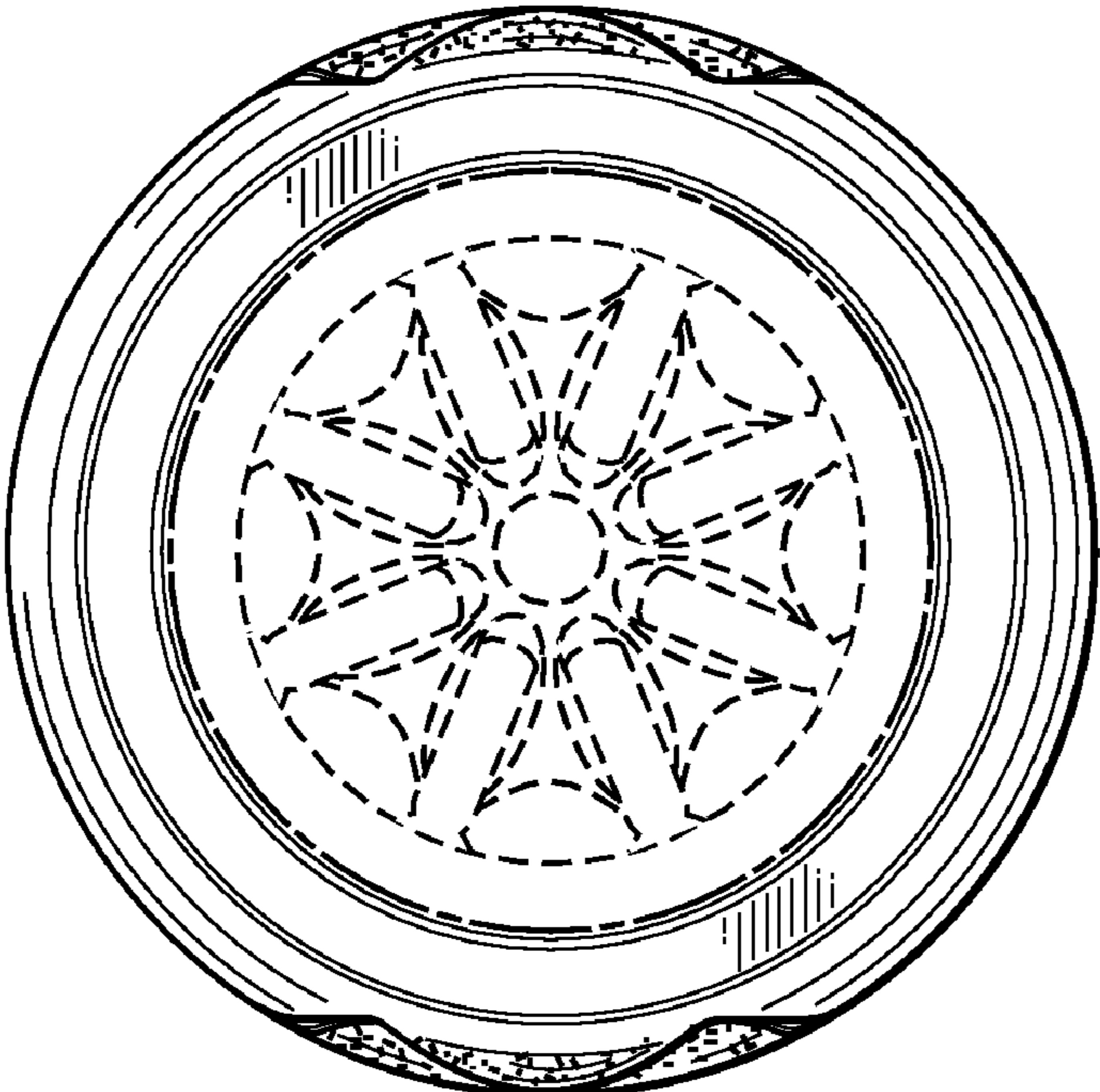


Fig. 12

