



US00D572595S

(12) **United States Design Patent**  
**Stern**

(10) **Patent No.:** **US D572,595 S**  
(45) **Date of Patent:** **\*\* Jul. 8, 2008**

(54) **BOTTLE**

D411,443 S \* 6/1999 Bakic ..... D9/629

(75) Inventor: **Itchak Stern**, Schwerte (DE)

\* cited by examiner

(73) Assignee: **Duotrunk Spirituosenvertrieb Stern & Kohn GBR**, Schwerte (GB)

*Primary Examiner*—Sandra Morris

(74) *Attorney, Agent, or Firm*—Fay Sharpe LLP

(\*\*) Term: **14 Years**

(57) **CLAIM**

(21) Appl. No.: **29/273,061**

The ornamental design for a bottle, as shown and described.

(22) Filed: **Feb. 26, 2007**

**DESCRIPTION**

(30) **Foreign Application Priority Data**

Aug. 31, 2006 (DE) ..... 4 06 04 593

(51) **LOC (8) Cl.** ..... **09-01**

(52) **U.S. Cl.** ..... **D9/629; D9/741; D9/614; D9/625**

(58) **Field of Classification Search** ..... D9/600–601, D9/614, 629, 737–738, 741, 516, 548; 215/379–383, 215/500; 206/822–823; 220/890  
See application file for complete search history.

FIG. 1 is a perspective view of a bottle from the upper right, with the label and caps removed, illustrating my new design;

FIG. 2 is an upside down perspective view thereof;

FIG. 3 is a front perspective view thereof;

FIG. 4 is a perspective view of the bottle laid on its back;

FIG. 5 is a top perspective view thereof;

FIG. 6 is a front elevational view thereof with a label attached to the bottle;

FIG. 7 is a top perspective view thereof from the left and closed by caps;

FIG. 8 is a front perspective view thereof;

FIG. 9 is a perspective view of the bottle laid on its back; and,

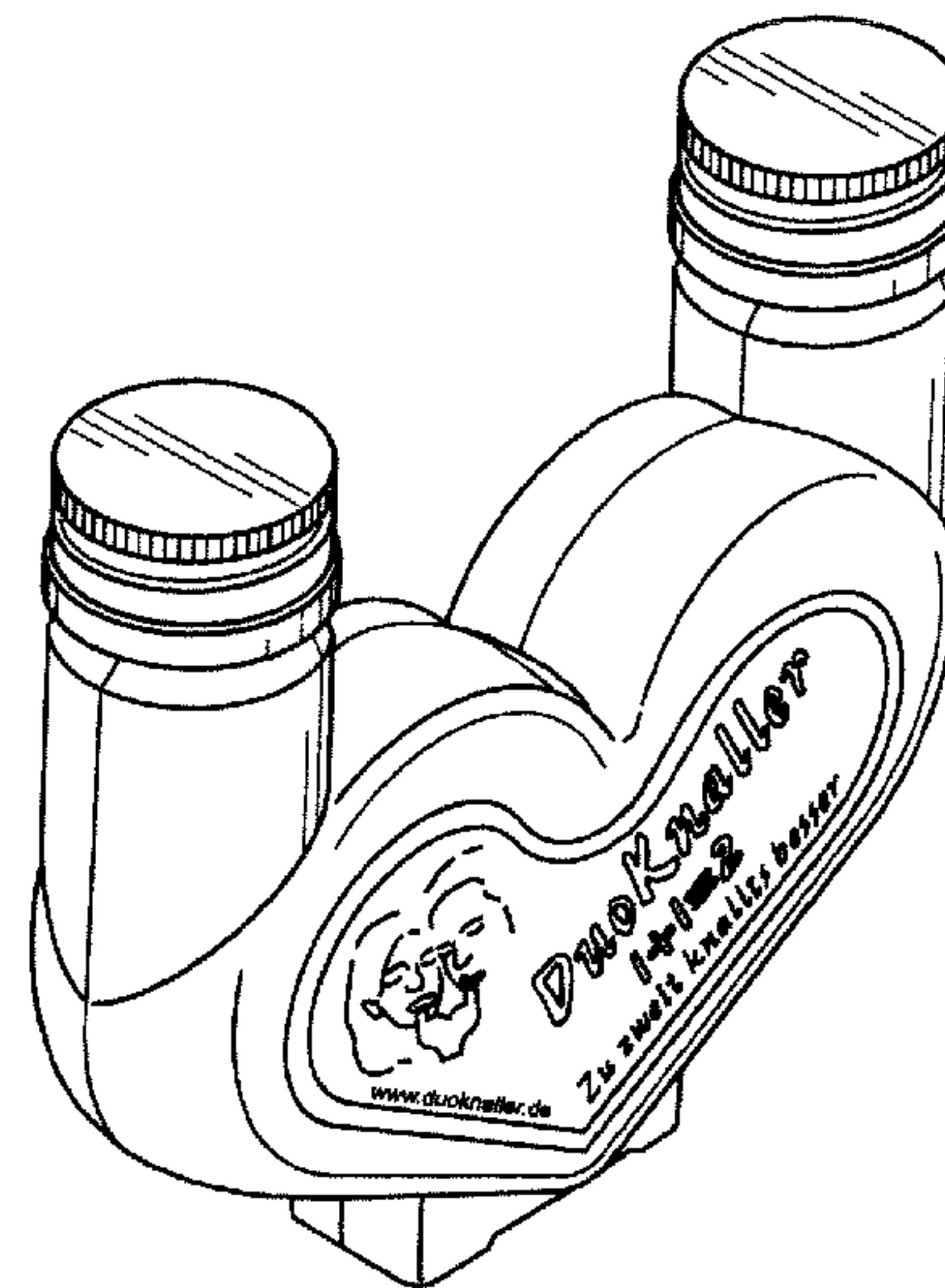
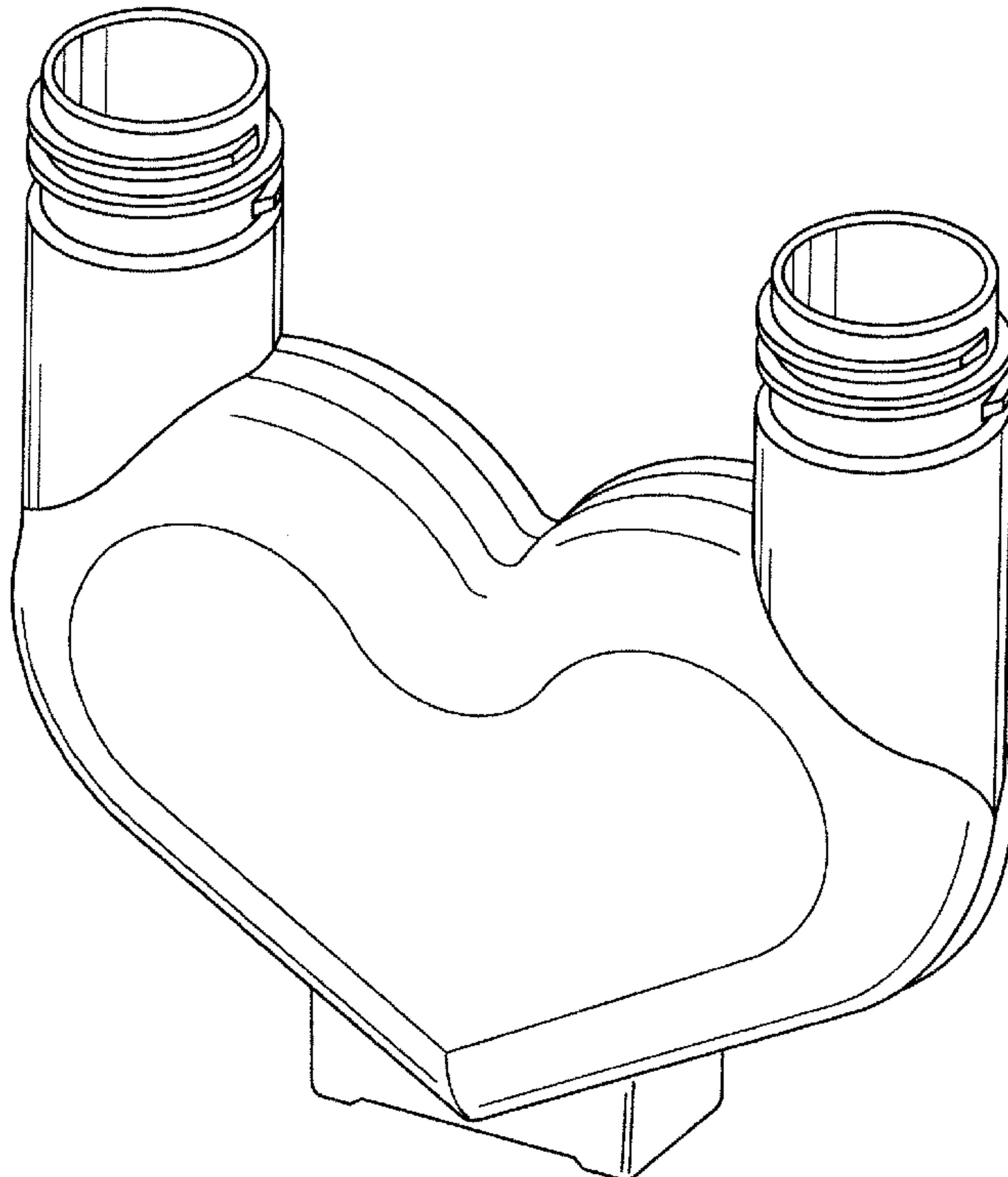
FIG. 10 is a side perspective view thereof.

(56) **References Cited**

**U.S. PATENT DOCUMENTS**

D307,111 S \* 4/1990 Green ..... D9/741  
4,971,211 A \* 11/1990 Lake ..... D9/741  
D407,635 S \* 4/1999 Fregeau ..... D9/629

**1 Claim, 6 Drawing Sheets**



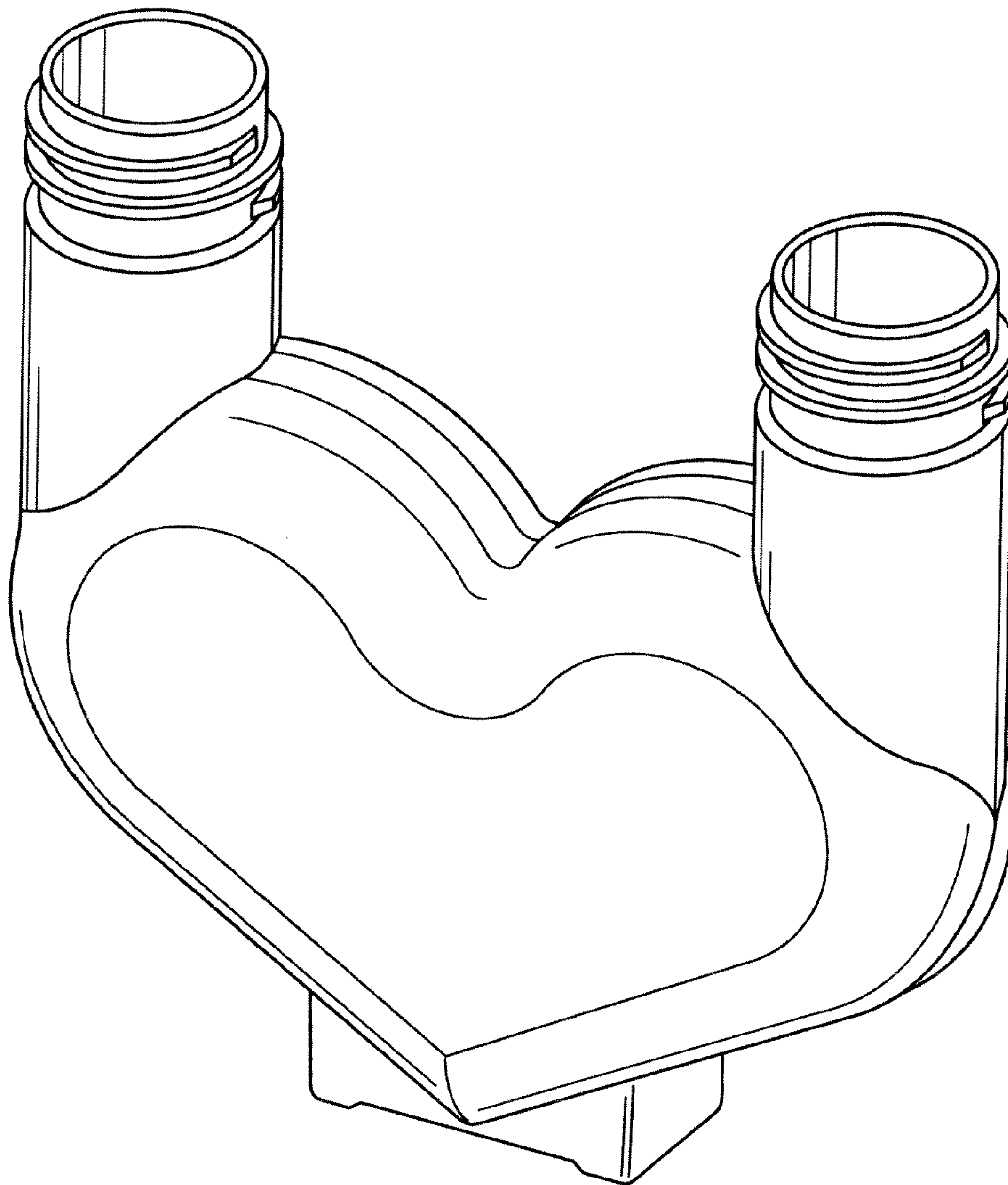


FIG. 1

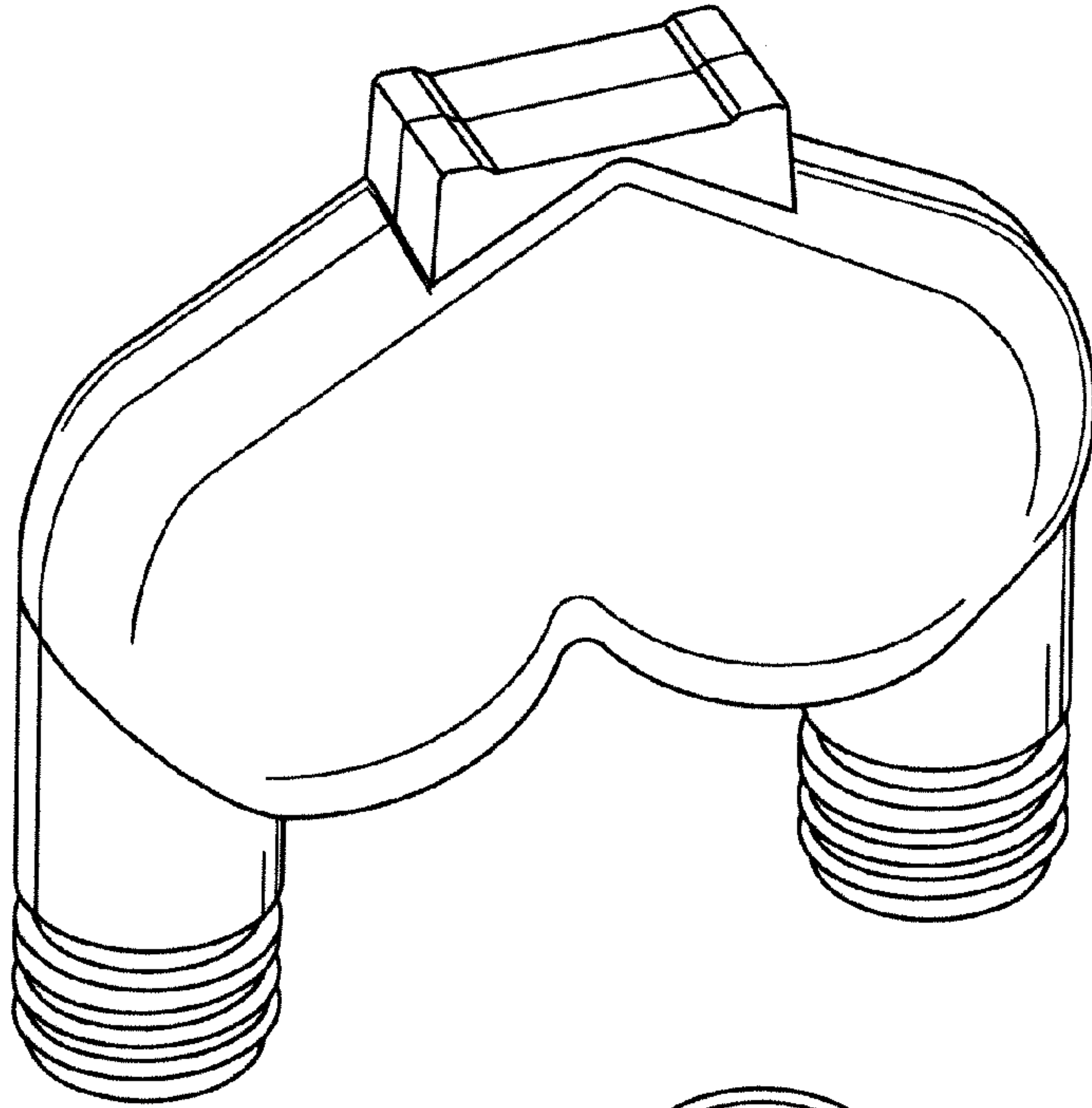


FIG. 2

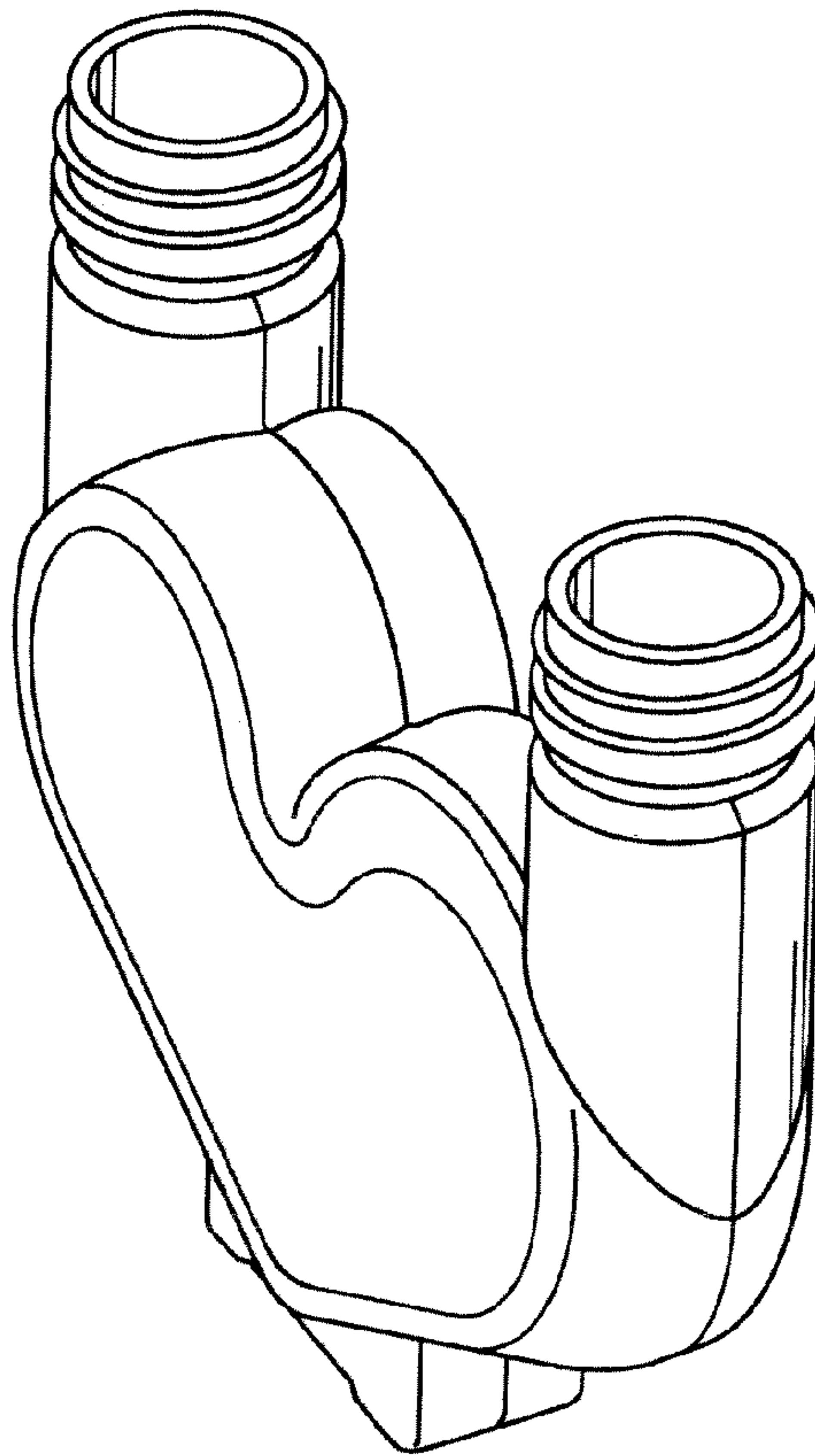


FIG. 5

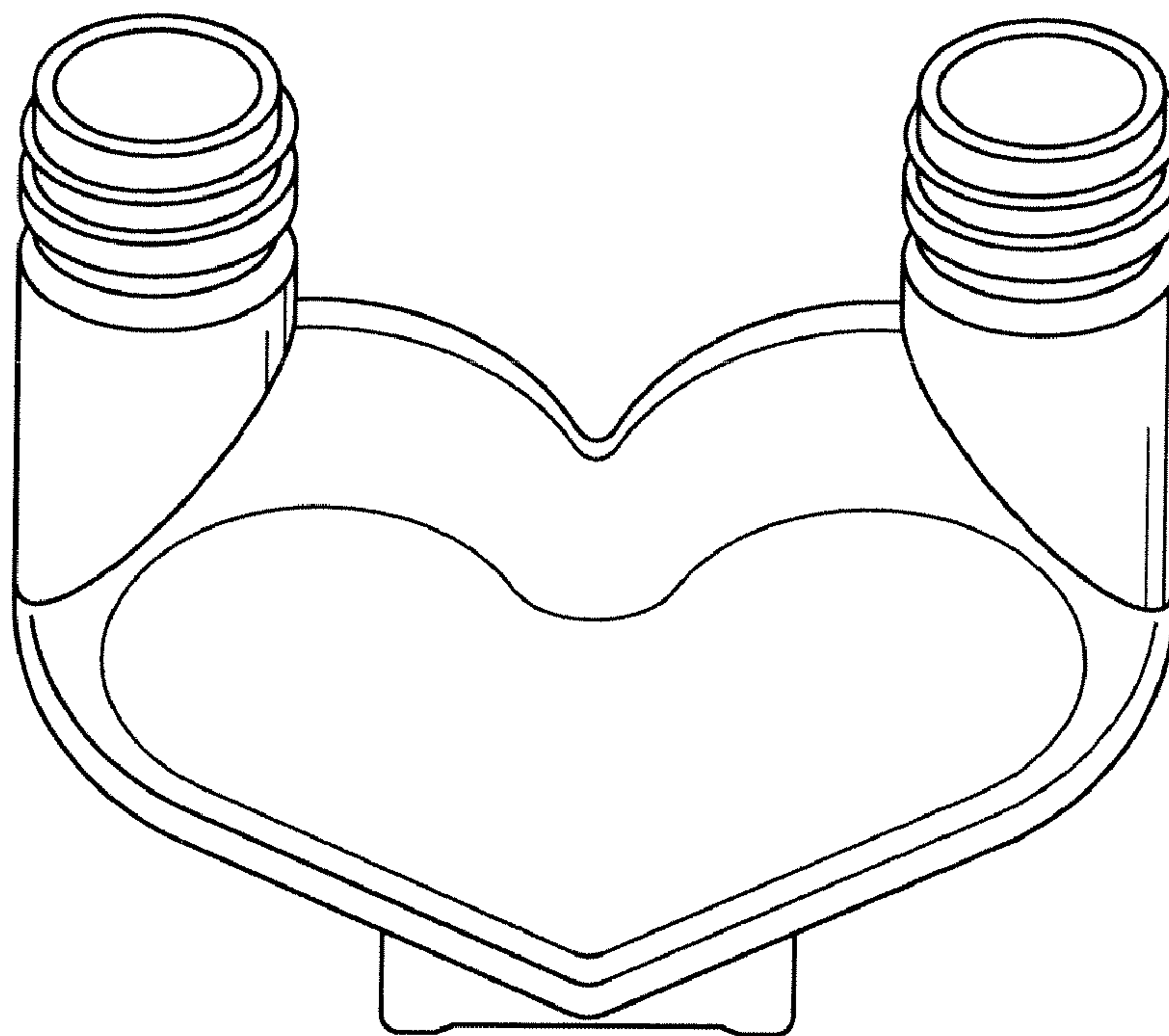


FIG. 3

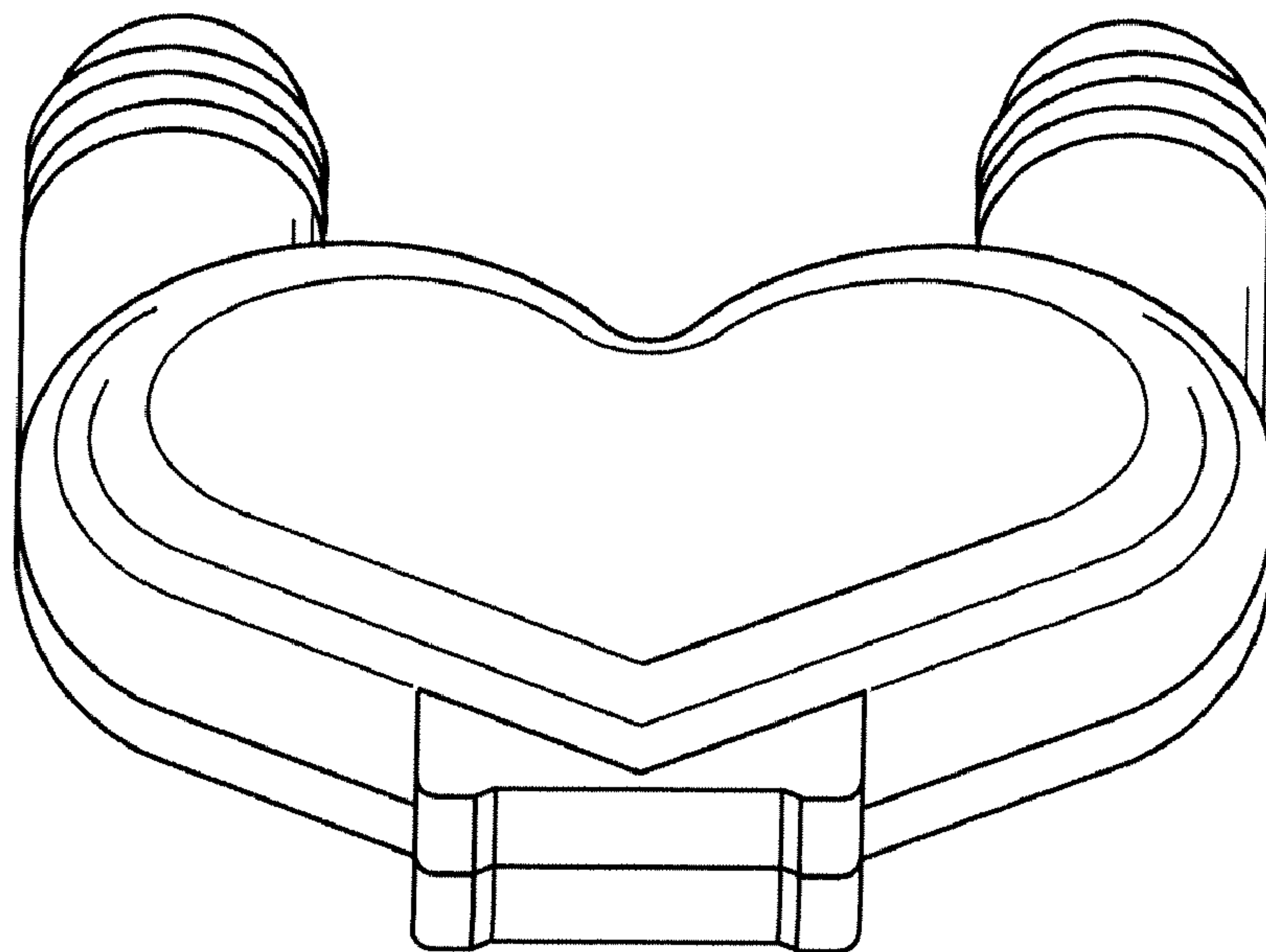


FIG. 4



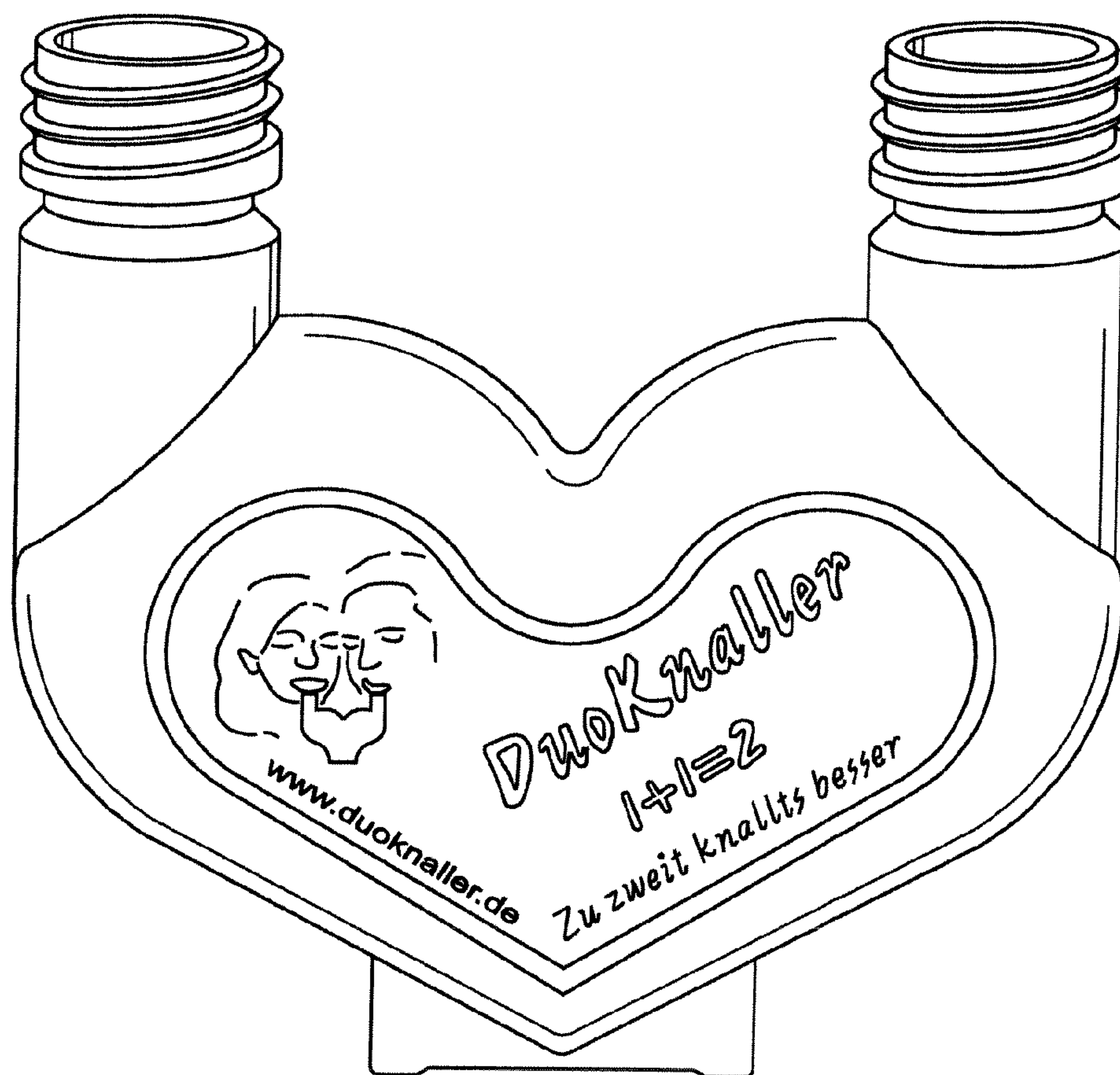


FIG. 6

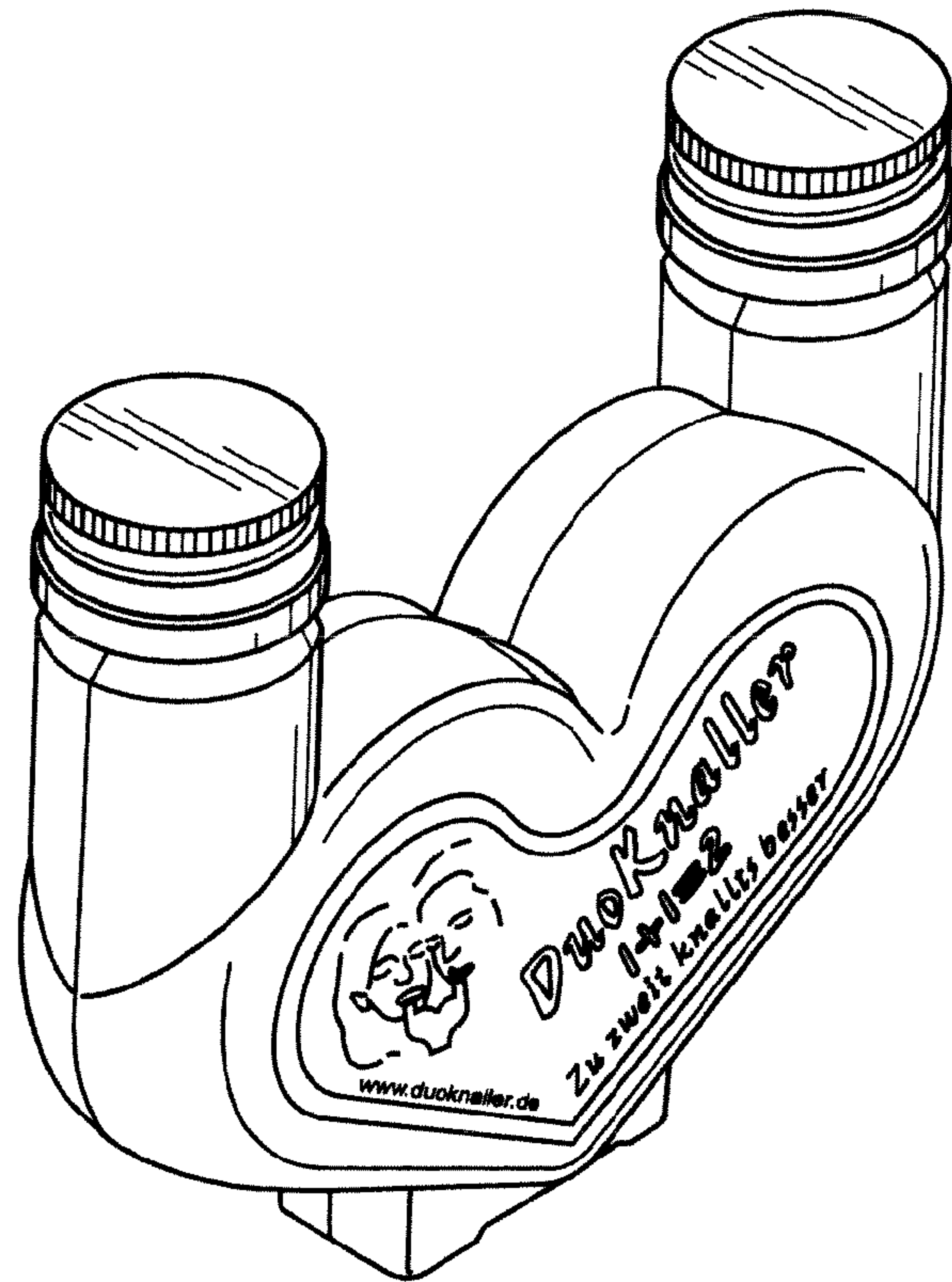


FIG. 7

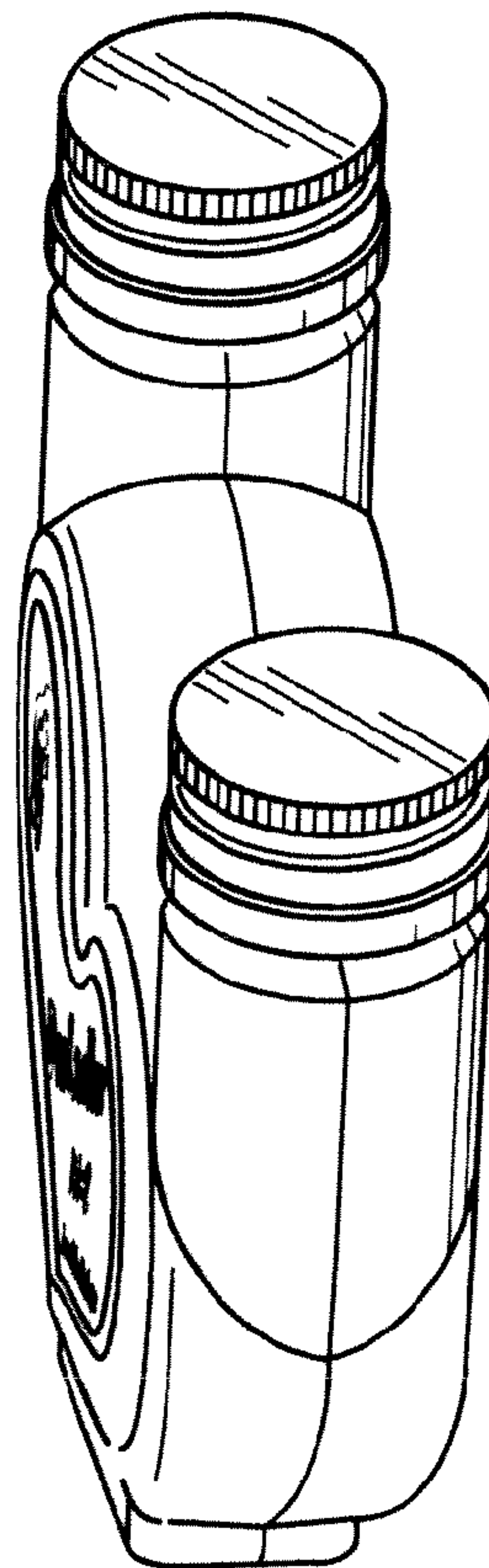


FIG. 10

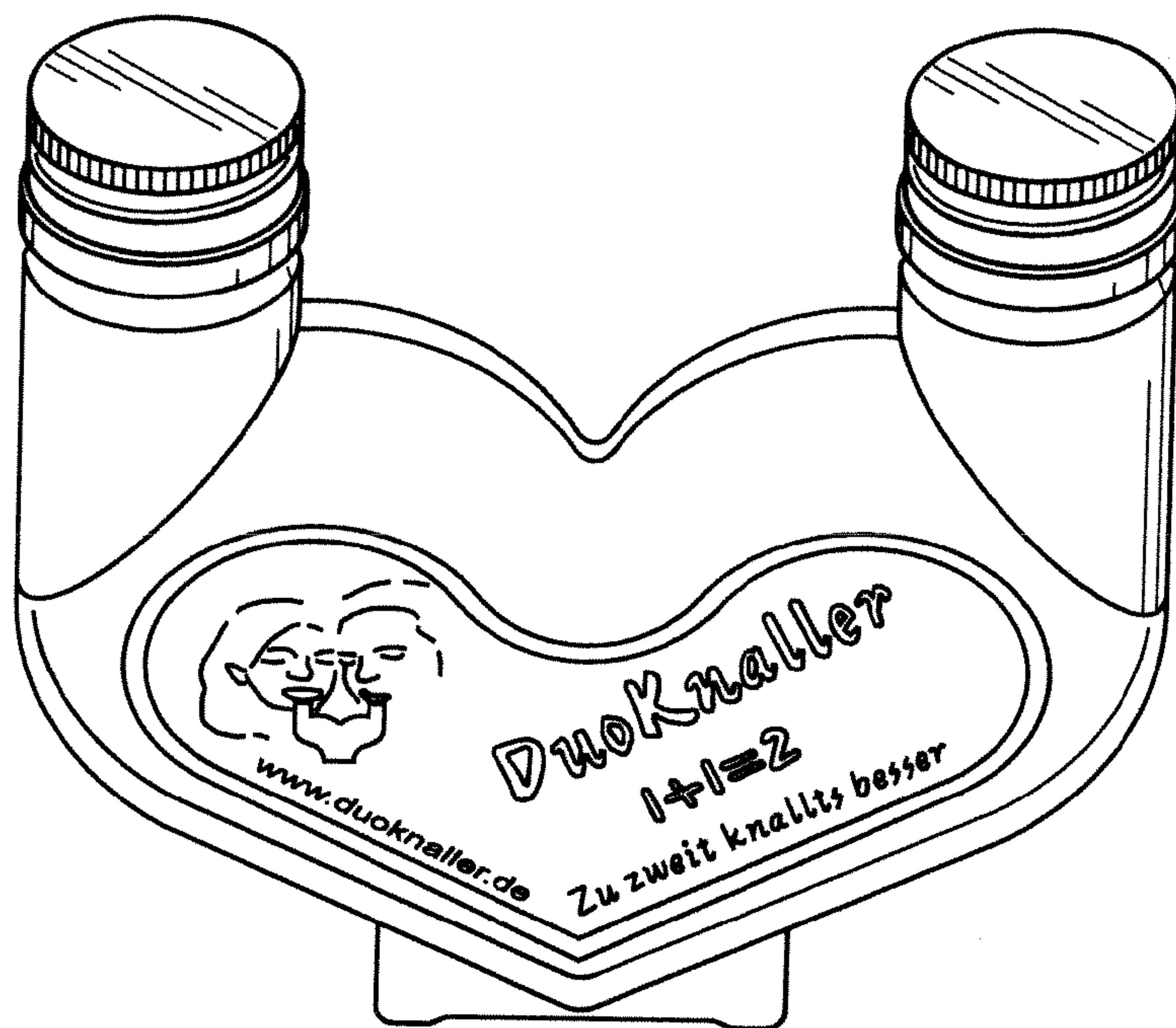


FIG. 8

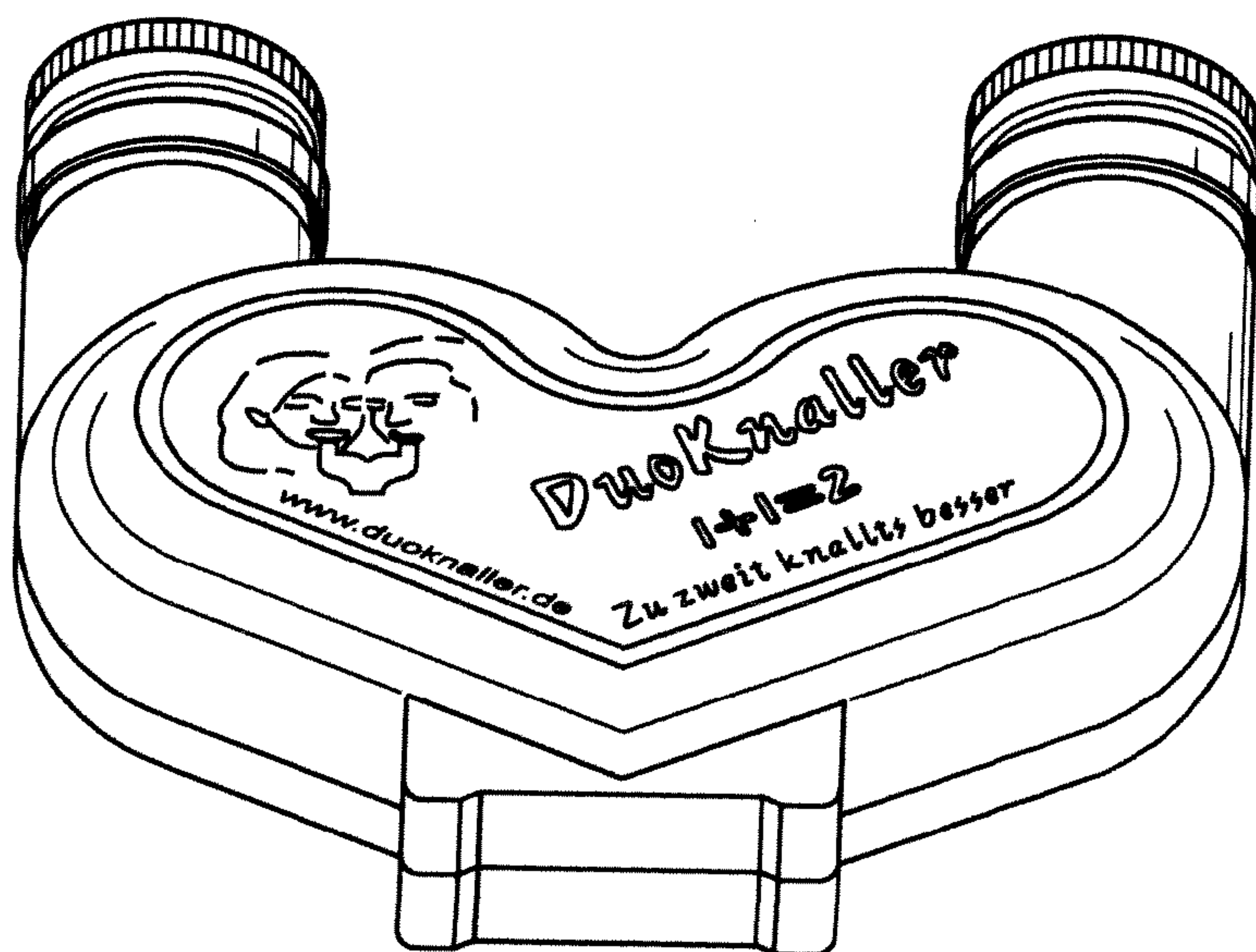


FIG. 9