



US00D572593S

(12) **United States Design Patent**
Adler et al.

(10) **Patent No.:** **US D572,593 S**
(45) **Date of Patent:** **** Jul. 8, 2008**

(54) **BOTTLE**

(75) Inventors: **Deborah B. Adler**, New York, NY (US);
Klaus Rosburg, New York, NY (US);
Patrick Douglas, Minneapolis, MN
(US); **Matthew S. Grisik**, Rosemount,
MN (US)

(73) Assignee: **Target Brands, Inc.**, Minneapolis, MN
(US)

(**) Term: **14 Years**

(21) Appl. No.: **29/277,823**

(22) Filed: **Mar. 9, 2007**

Related U.S. Application Data

(63) Continuation of application No. 29/221,974, filed on
Jan. 25, 2005, now Pat. No. Des. 542,661.

(51) **LOC (8) Cl.** **09-01**

(52) **U.S. Cl.** **D9/521**

(58) **Field of Classification Search** D9/516,
D9/521, 522, 530, 541, 543, 560, 563, 564,
D9/566, 569, 570, 572, 573, 574, 575; 215/379,
215/381, 382, 383, 384; 220/660, 662, 669,
220/670, 674, 675

See application file for complete search history.

(56) **References Cited**

U.S. PATENT DOCUMENTS

D11,149 S 4/1879 Hood
D18,997 S * 4/1889 Underhill D9/544

(Continued)

FOREIGN PATENT DOCUMENTS

DE 3723671 C2 8/1988

(Continued)

OTHER PUBLICATIONS

(IFW) Adler et al., "Pharmacy Bottle System", U.S. Appl. No.
11/042,849, filed Jan. 25, 2005.

(Continued)

Primary Examiner—Charles A. Rademaker

Assistant Examiner—Dana L Sipos

(74) *Attorney, Agent, or Firm*—Faegre & Benson LLP

(57) **CLAIM**

The ornamental design for a bottle, as shown and described.

DESCRIPTION

FIG. 1 is a top, right side, and rear perspective view of a bottle
of the present invention, with a label and a card insert
removed for ease of illustration;

FIG. 2 is a rear elevational view thereof;

FIG. 3 is a front elevational view thereof;

FIG. 4 is a left side elevational view thereof;

FIG. 5 is a right side elevational view thereof;

FIG. 6 is a top plan view thereof;

FIG. 7 is a bottom plan view thereof;

FIG. 8 is a top, left side, and front perspective view of a
second embodiment showing the bottle of FIG. 1 with a neck
ring;

FIG. 9 is a rear elevational view thereof;

FIG. 10 is a top, right side, and rear perspective view of a third
embodiment showing a label applied to the bottle of FIG. 1;

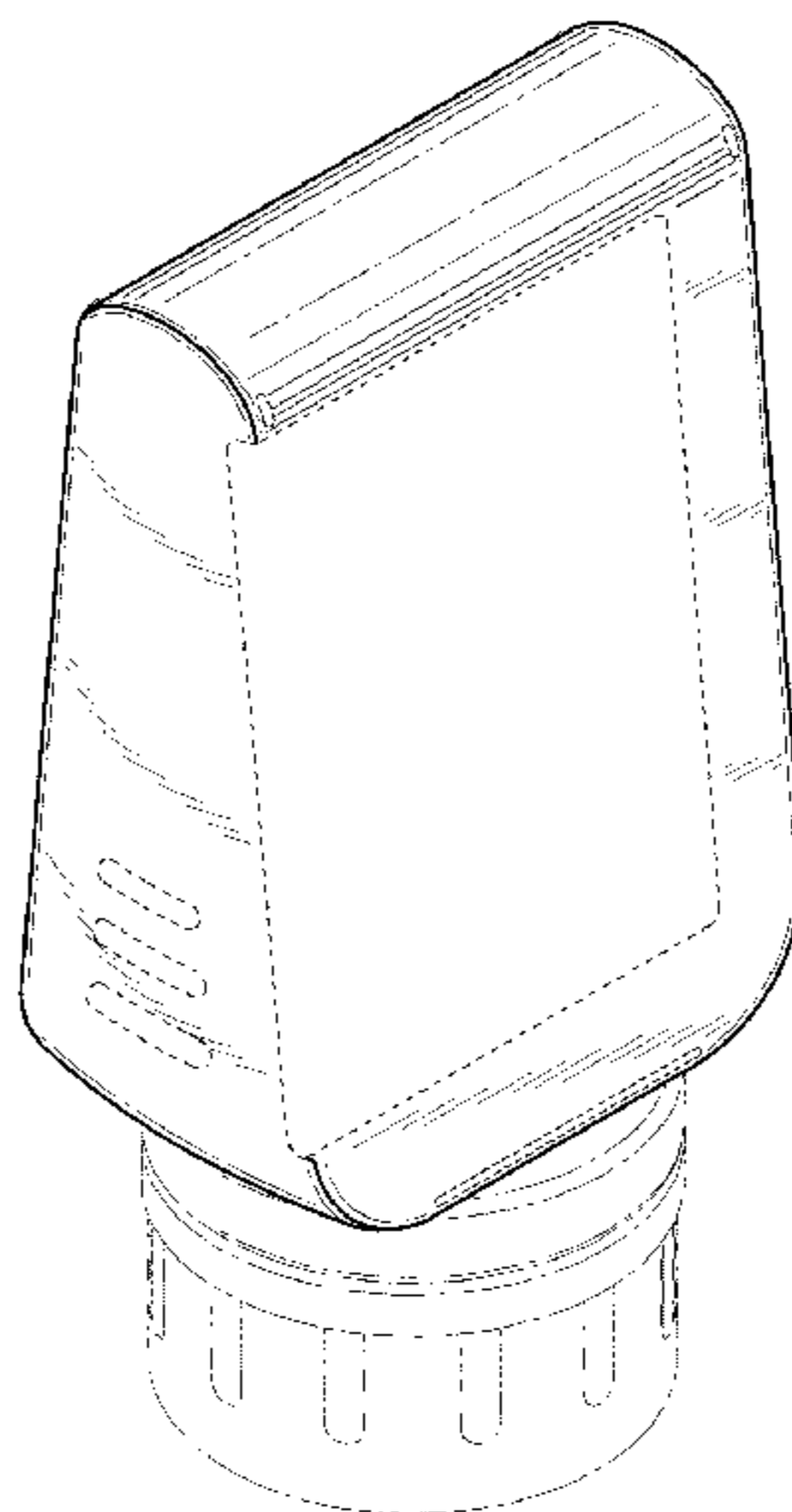
FIG. 11 is a front elevational view thereof;

FIG. 12 is a top, right side, and rear perspective view of a
fourth embodiment showing a label applied to the bottle of
FIG. 1 and an added card insert in broken lines; and,

FIG. 13 is a right side elevational view thereof.

The broken lines shown in the drawings are for illustrative
purposes only and form no part of the claimed design.

1 Claim, 7 Drawing Sheets



US D572,593 S

Page 2

U.S. PATENT DOCUMENTS					
406,017 A	6/1889	Woodward et al.	5,020,682 A	6/1991	Dutt
605,213 A	6/1898	Weller	D319,181 S	8/1991	Balavich
624,701 A	5/1899	Stevenson	D323,780 S *	2/1992	Addante D9/521
716,793 A	12/1902	Vogeler	5,102,169 A	4/1992	Mayfield
D45,565 S	4/1914	Lloyd	5,145,080 A	9/1992	Imbery, Jr.
1,181,098 A	4/1916	Lambert	5,165,546 A	11/1992	Jaeger et al.
1,289,218 A	12/1918	Maiden	5,172,936 A	12/1992	Sullivan et al.
1,554,191 A	9/1925	Alexander	D333,618 S	3/1993	Patel et al.
1,653,608 A	12/1927	Allen	5,193,032 A	3/1993	Hirth
1,686,354 A	10/1928	Wallace	5,204,775 A	4/1993	McDevitt
1,769,147 A	7/1930	Lennon	5,261,702 A	11/1993	Mayfield
1,815,268 A	7/1931	Newbery	D342,452 S	12/1993	Monaghan
1,850,369 A	3/1932	Andrews	5,284,363 A	2/1994	Gartner et al.
2,007,685 A	7/1935	Lyle	5,301,802 A	4/1994	Nemeroff
2,110,768 A	3/1938	Kellogg	5,309,279 A	5/1994	Halstead
D128,282 S	7/1941	Gelinas et al.	D350,691 S *	9/1994	Simion D9/695
2,270,277 A	1/1942	Dowd	5,343,647 A	9/1994	Bulka
D132,185 S	4/1942	McIntosh	5,346,069 A	9/1994	Intini
2,328,806 A	9/1943	Hooper	D351,796 S	10/1994	Deddens
2,528,259 A	10/1950	Annunziata	5,351,991 A	10/1994	McDonald
2,659,614 A	11/1953	Cook et al.	D355,125 S	2/1995	Patel et al.
2,847,971 A	11/1956	Painter	D355,126 S	2/1995	Paulovich et al.
2,844,893 A	7/1958	Keller	5,403,636 A	4/1995	Crum
2,920,777 A	1/1960	Cole	D360,134 S	7/1995	Snyder
2,961,108 A	11/1960	Johnson	5,448,844 A	9/1995	Miller, Jr. et al.
3,256,978 A	6/1966	Srigley et al.	5,476,420 A	12/1995	Manning
3,331,521 A	7/1967	Paige	D370,636 S	6/1996	Crawford
3,423,861 A	1/1969	Forsyth	5,588,239 A	12/1996	Anderson
3,433,378 A	3/1969	Ross	5,601,314 A	2/1997	Burns et al.
3,437,194 A	4/1969	Ames et al.	5,642,906 A	7/1997	Foote et al.
3,757,994 A	9/1973	Skoetsch	5,660,138 A	8/1997	Hirsch
3,787,993 A	1/1974	Lyon	5,662,239 A	9/1997	Heuvelman
3,822,780 A	7/1974	Ulmer et al.	D389,064 S *	1/1998	Sethi et al. D9/521
3,826,222 A	7/1974	Romick	5,704,144 A	1/1998	Groth
3,850,326 A	11/1974	Ryles	5,704,648 A	1/1998	Brown et al.
3,923,180 A	12/1975	Fields	5,713,681 A	2/1998	Venne et al.
3,996,879 A	12/1976	Walton	5,718,347 A	2/1998	Walker et al.
4,022,352 A	5/1977	Pehr	5,719,828 A	2/1998	Haas et al.
4,044,889 A	8/1977	Orentreich et al.	5,729,922 A	3/1998	Peterson et al.
4,064,645 A	12/1977	Wood	5,730,292 A	3/1998	Jones
RE29,793 E	10/1978	Pehr	5,758,440 A	6/1998	Yudin
4,143,786 A	3/1979	Goldberg et al.	5,760,975 A	6/1998	DiGiovanni
4,150,760 A	4/1979	d'Orgelys	D395,828 S	7/1998	Lecoule
D255,054 S	5/1980	Kingsford	5,779,072 A	7/1998	Krebs
4,246,709 A	1/1981	Selleslags	5,788,974 A	8/1998	D'Amico et al.
4,263,734 A	4/1981	Bradshaw	5,799,815 A	9/1998	Lang
4,284,200 A	8/1981	Bush et al.	5,800,144 A	9/1998	Glenn et al.
4,334,638 A	6/1982	Stock	5,829,789 A	11/1998	Treleaven et al.
D270,998 S	10/1983	Stark	5,887,736 A	3/1999	Mar
D274,309 S	6/1984	Aldrich, III	5,918,758 A	7/1999	Galton-Fenzi
4,535,903 A	8/1985	Franchi	D413,067 S	8/1999	Haley
D280,601 S	9/1985	Biesecker	5,980,352 A	11/1999	Rigberg
D282,909 S	3/1986	Biesecker	6,003,902 A	12/1999	Petkovsek
D285,535 S	9/1986	Buchholz et al.	D419,077 S *	1/2000	Sultan D9/563
4,732,411 A	3/1988	Siegel	6,023,865 A	2/2000	Preuss
4,799,712 A	1/1989	Biava et al.	6,068,300 A	5/2000	Vijuk et al.
D300,119 S	3/1989	Pacquin	6,081,392 A	6/2000	Pensmith
4,813,570 A	3/1989	Pontoppidan	6,086,702 A	7/2000	Rea
4,863,026 A	9/1989	Perkowski	6,196,593 B1	3/2001	Petrick et al.
4,868,027 A	9/1989	Hunkeler et al.	6,209,921 B1	4/2001	Hogan et al.
4,881,648 A	11/1989	Hagerty	6,220,439 B1	4/2001	Virvo
4,883,180 A	11/1989	Humphrey et al.	6,226,564 B1	5/2001	Stuart
D305,505 S	1/1990	Kunesh	6,241,844 B1	6/2001	Petkovsek
4,890,742 A	1/1990	Allison	D445,338 S *	7/2001	Helleu D9/521
4,913,083 A	4/1990	Valvo et al.	6,270,121 B1	8/2001	Dolan et al.
4,918,604 A	4/1990	Baum	6,278,545 B1	8/2001	Napier
4,919,285 A	4/1990	Roof et al.	6,360,462 B1	3/2002	Mengel
4,941,573 A	7/1990	Fuerstman	D456,271 S	4/2002	Maloney
4,972,657 A	11/1990	McKee	6,366,401 B1	4/2002	Gonda et al.
4,991,877 A	2/1991	Lieberman	6,367,639 B1	4/2002	Mar
5,011,032 A	4/1991	Rollman	6,367,640 B1	4/2002	Julian
			6,386,367 B1	5/2002	Bayliss, IV
			6,491,164 B1	12/2002	Virvo

US D572,593 S

Page 3

D470,415 S *	2/2003	Weber	D9/521	2004/0050750 A1	3/2004 Hannan et al.
6,549,345 B1	4/2003	Cardarelli		2004/0056479 A1	3/2004 Fox et al.
6,568,530 B2	5/2003	Takahashi et al.		2004/0075272 A1	4/2004 Kaufman
6,594,928 B1	7/2003	Clawson et al.		2004/0193454 A1	9/2004 Foote et al.
D480,002 S	9/2003	Canepa			
D480,005 S *	9/2003	Conway	D9/530		
6,621,629 B2	9/2003	Blumenthal et al.			
D480,960 S	10/2003	Gray et al.		EP	0 316 636 5/1989
6,669,804 B2	12/2003	Pendry et al.		EP	0146095 B1 8/1989
6,681,945 B1	1/2004	Harrold		EP	0609955 B1 4/1998
6,712,398 B1	3/2004	Fox et al.		EP	0609954 B1 7/1998
6,745,505 B2	6/2004	Moran		GB	2 006 713 A 5/1979
D497,311 S	10/2004	Walsh et al.		WO	WO03/098275 11/2003
6,860,390 B2	3/2005	Bowman		WO	2004/048216 A1 6/2004
6,964,345 B2	11/2005	Wetherell, Jr. et al.			
D520,365 S	5/2006	Andoh			
D526,569 S	8/2006	Wurster et al.			
D539,651 S	4/2007	Snyder			
D540,179 S	4/2007	Adler et al.			
D540,690 S	4/2007	Adler et al.			
D541,159 S	4/2007	Robinson			
D542,661 S	5/2007	Adler et al.			
7,225,937 B2	6/2007	Schroeder			
2001/0017817 A1	8/2001	De La Huerga			
2001/0054817 A1	12/2001	Kelley et al.			
2002/0020088 A1	2/2002	Kreutner			
2002/0041091 A1	4/2002	Eippert			
2002/0063739 A1	5/2002	Gosden et al.			
2002/0088732 A1	7/2002	Takahashi et al.			
2002/0129758 A1	9/2002	Hanley et al.			
2002/0162261 A1	11/2002	West et al.			
2002/0171238 A1	11/2002	Kozlowski et al.			
2003/0025320 A1	2/2003	Shoemaker			
2003/0028392 A1	2/2003	Davies			
2003/0091687 A1	5/2003	Copelan			
2003/0127351 A1	7/2003	Takahashi et al.			
2003/0192211 A1	10/2003	Elias			
2003/0193185 A1	10/2003	Valley et al.			
2003/0205897 A1	11/2003	Kaufman			
2003/0214129 A1	11/2003	Adler			

FOREIGN PATENT DOCUMENTS

EP	0 316 636	5/1989
EP	0146095 B1	8/1989
EP	0609955 B1	4/1998
EP	0609954 B1	7/1998
GB	2 006 713 A	5/1979
WO	WO03/098275	11/2003
WO	2004/048216 A1	6/2004

OTHER PUBLICATIONS

(IFW) Adler et al., "Bottle System", U.S. Appl. No. 29/221,984, filed Jan. 25, 2005.

(IFW) Adler et al., "Bottle System", U.S. Appl. No. 29/222,067, filed Jan. 25, 2005.

(IFW) Adler et al., "Pharmacy Bottle System", U.S. Appl. No. 11/042,907, filed Jan. 25, 2005.

(IFW) Adler et al., "Pharmacy Label System", U.S. Appl. No. 11/042,739, filed Jan. 25, 2005.

(IFW) Adler et al., "Medication Packaging and Labeling System", U.S. Appl. No. 10/437,474, filed May. 14, 2003.

(IFW) Adler et al., "Medication Packaging and Labeling System", U.S. Appl. No. 11/477,286, filed Jun. 28, 2006.

International Search Report from International Application No. PCT/US2005/019401, mailed Jan. 18, 2006 (8 pages).

U.S. Appl. No. 11/862,503, filed Sep. 27, 2007.

U.S. Appl. No. 29/277,825, filed Mar. 9, 2007.

U.S. Appl. No. 29/278,438, filed Mar. 29, 2007.

U.S. Appl. No. 29/278,568, filed Apr. 2, 2007.

Written Opinion of International Application No. PCT/US2005/019401, mailed Jul. 25, 2007, 9 pp.

(IFW) Deborah B. Adler, "Bottle", U.S. Appl. No. 29/296,974, filed Oct. 31, 2007.

* cited by examiner

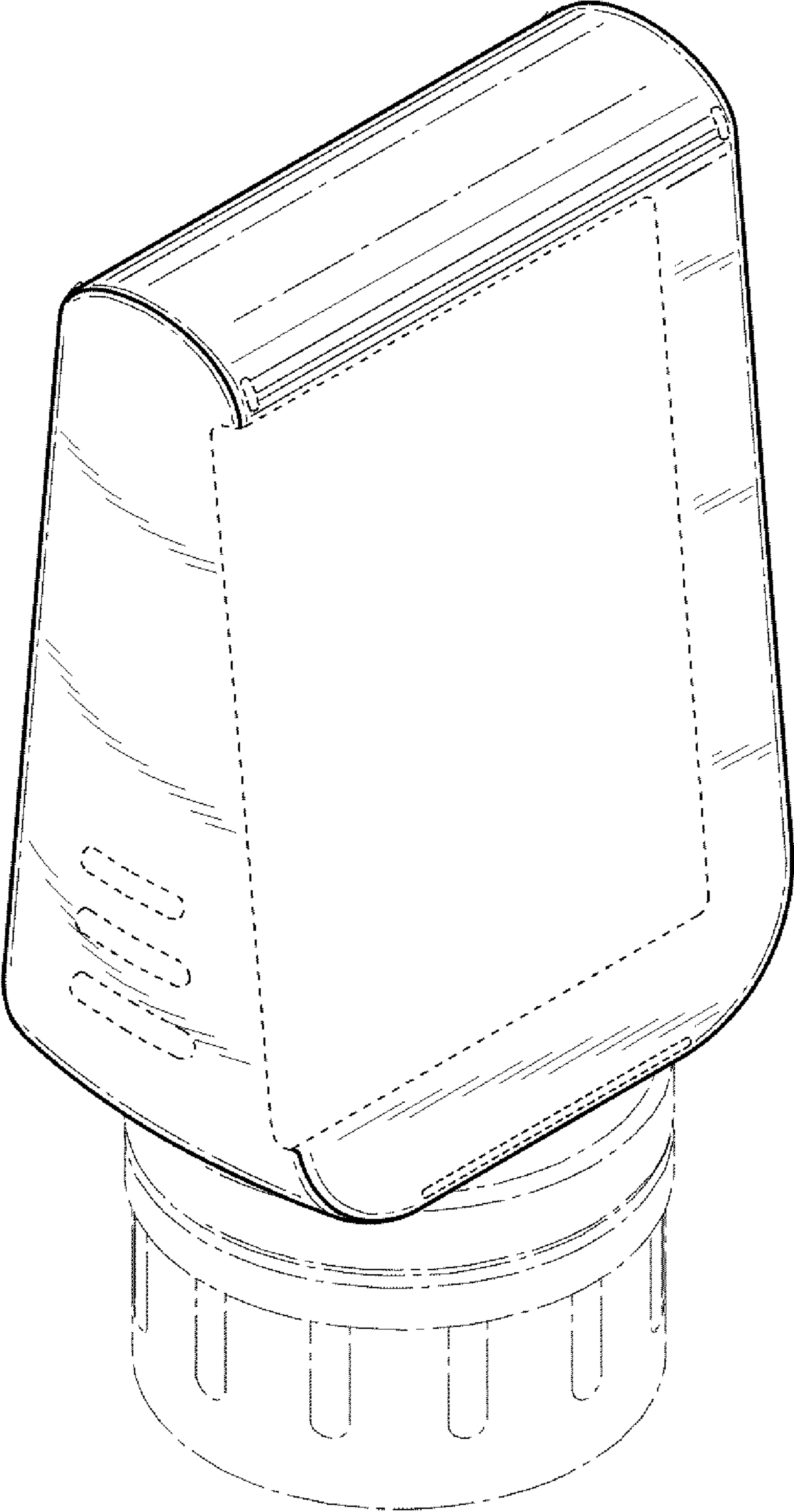


Fig. 1

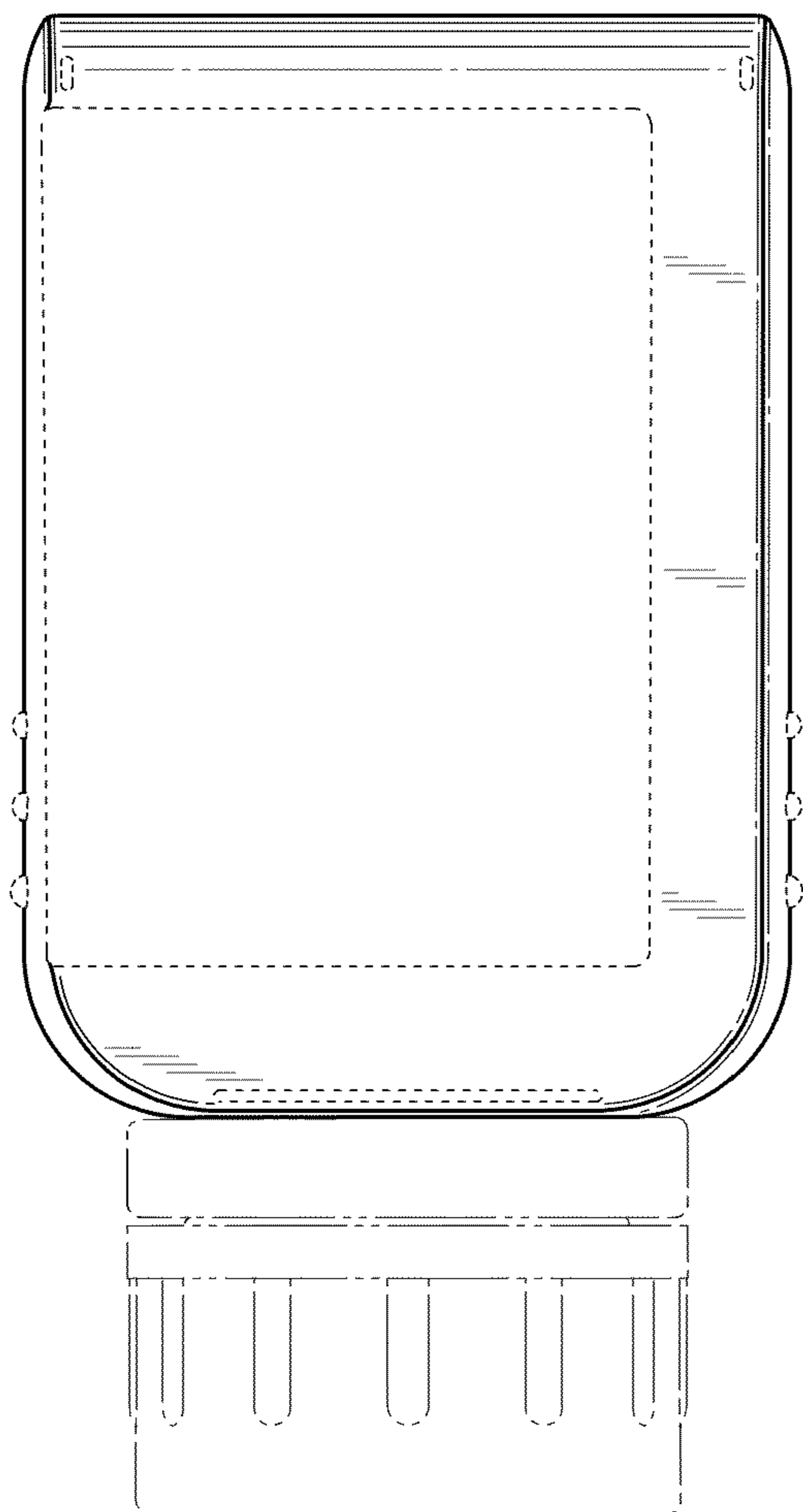


Fig. 2

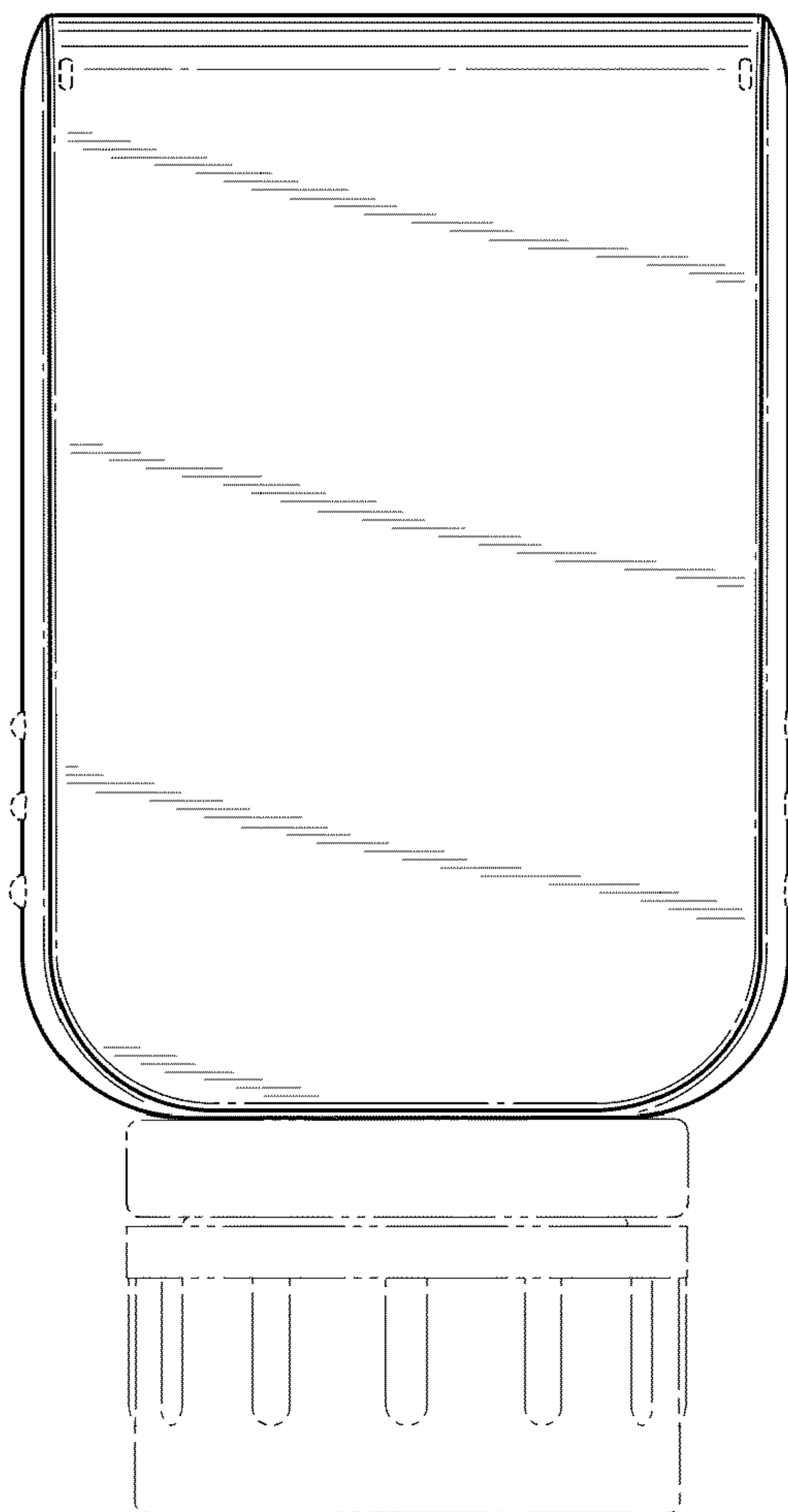


Fig. 3

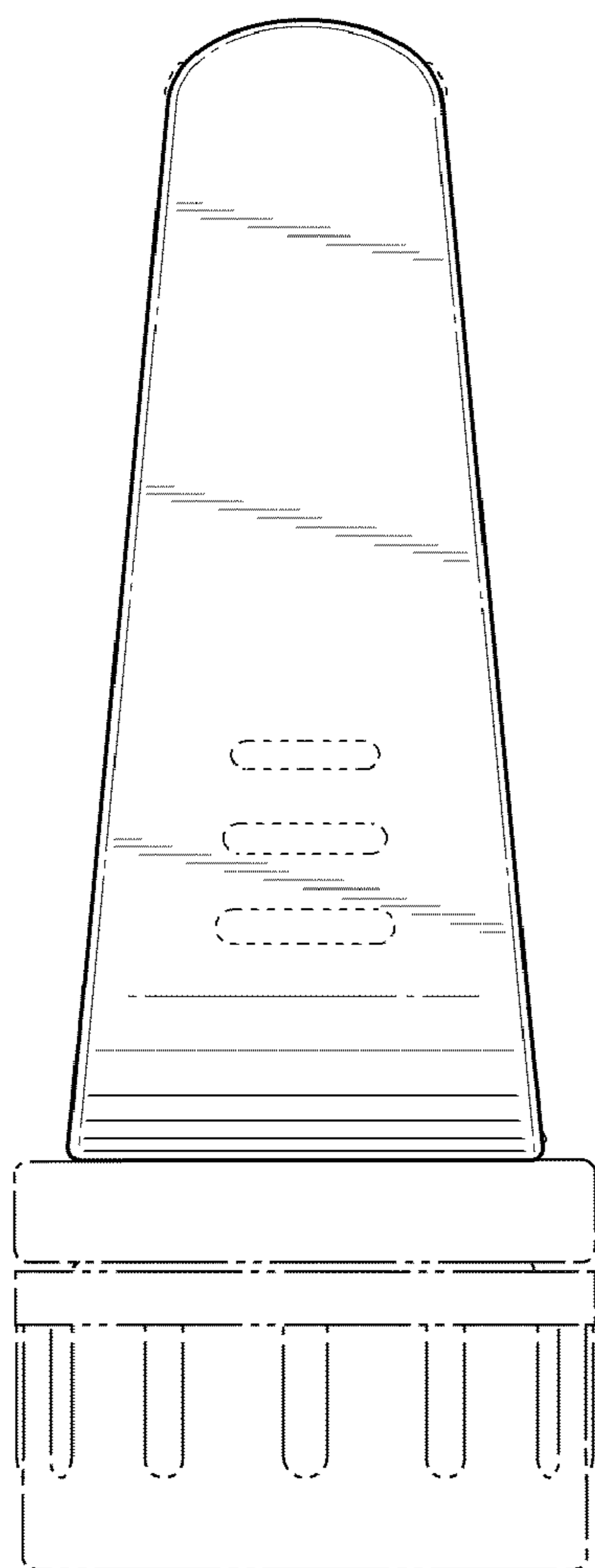


Fig. 4

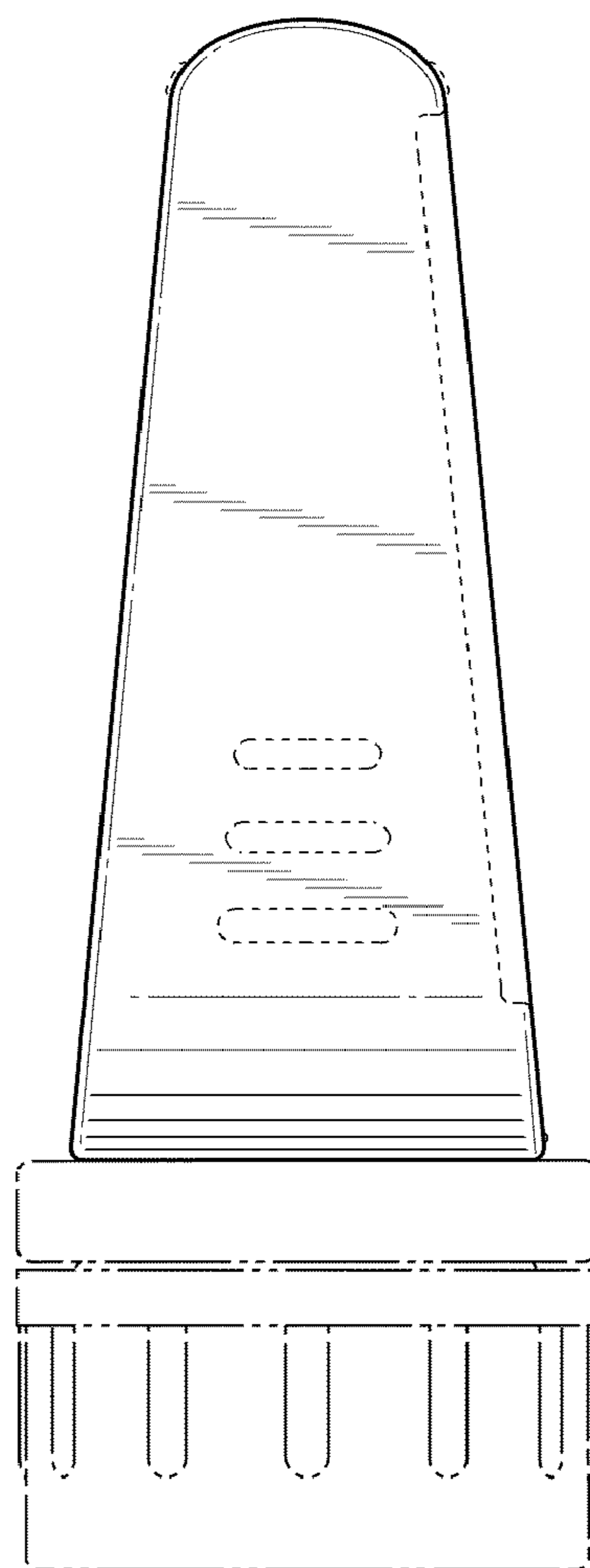


Fig. 5

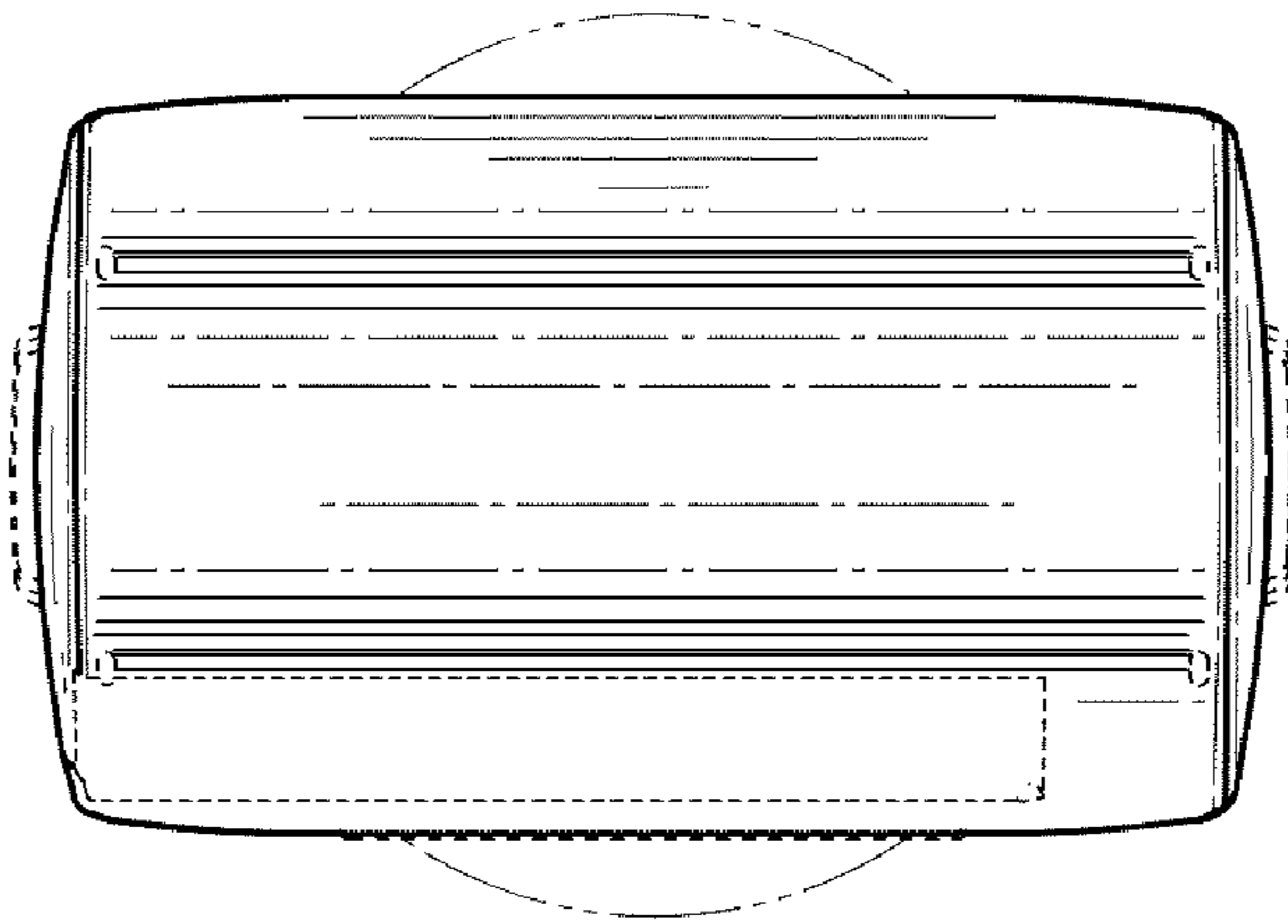


Fig. 6

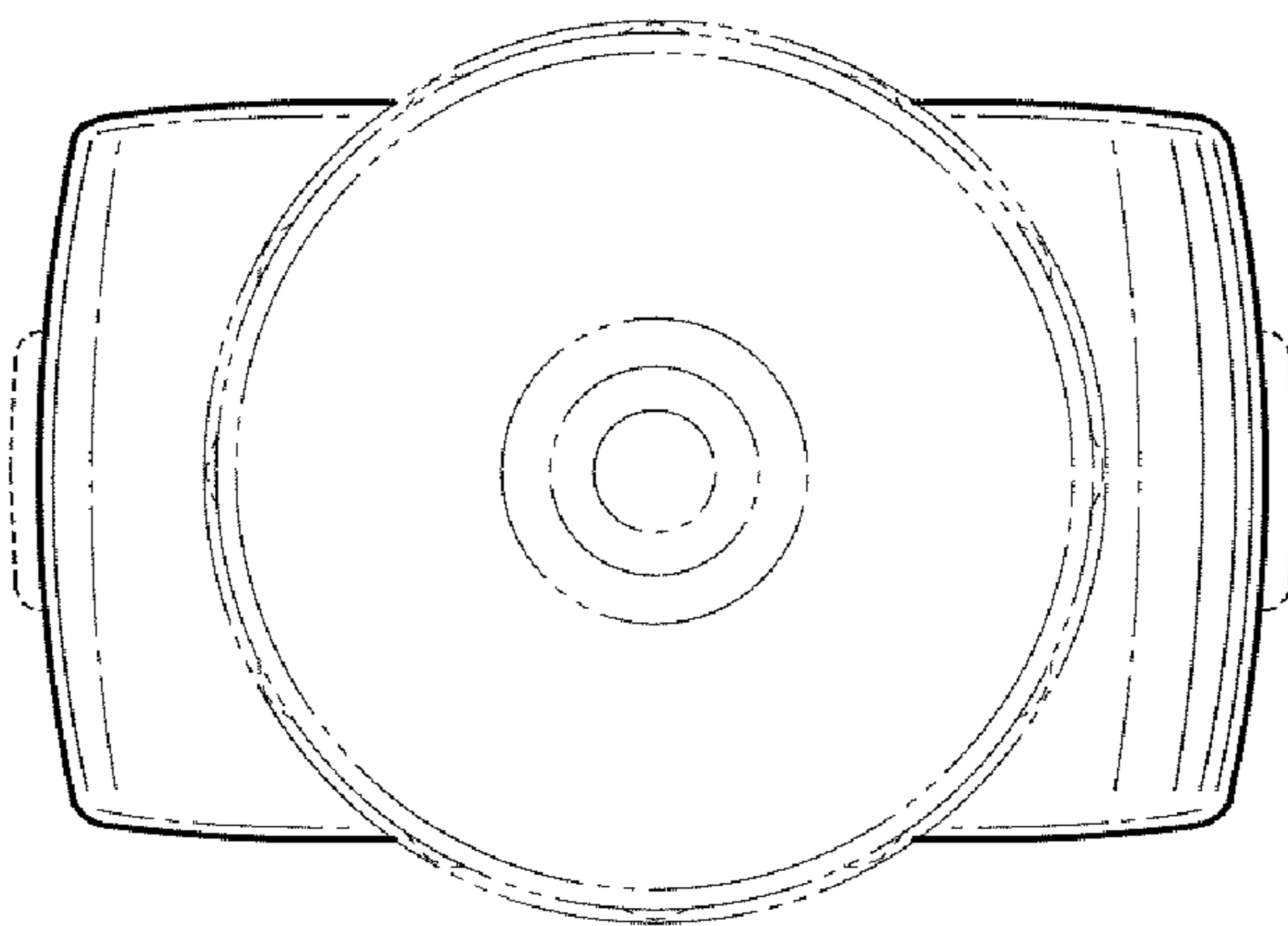


Fig. 7

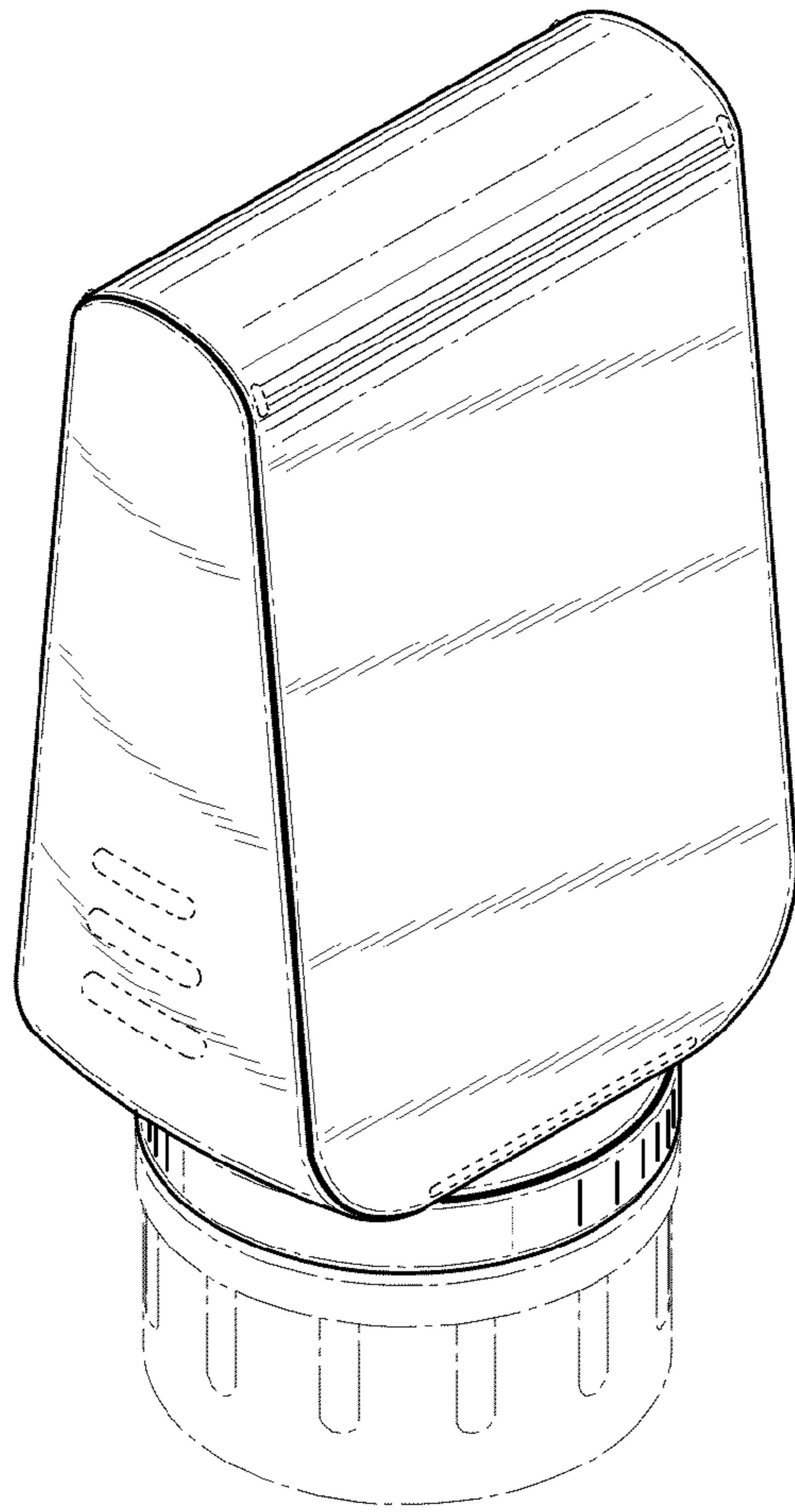


Fig. 8

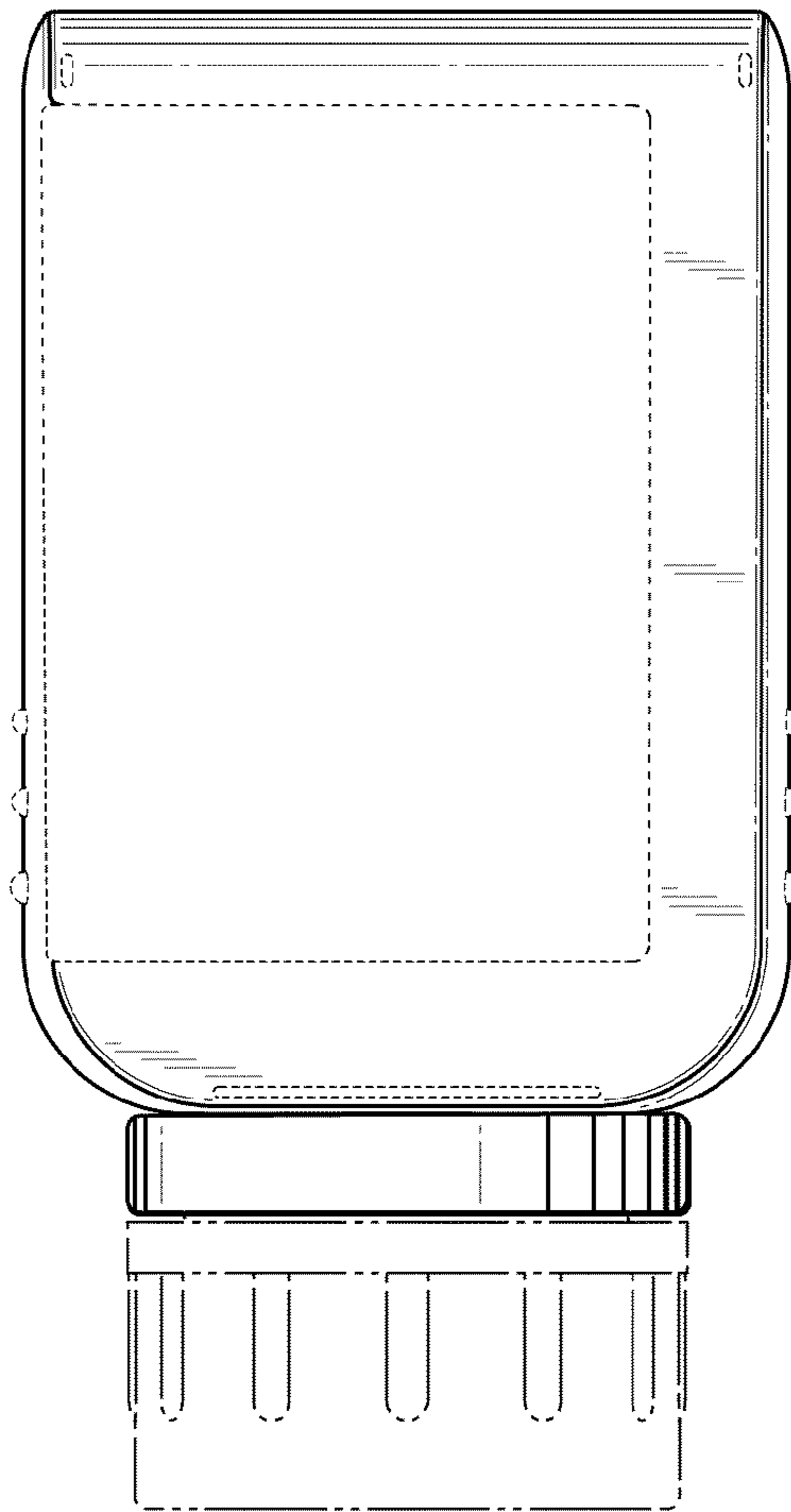


Fig. 9

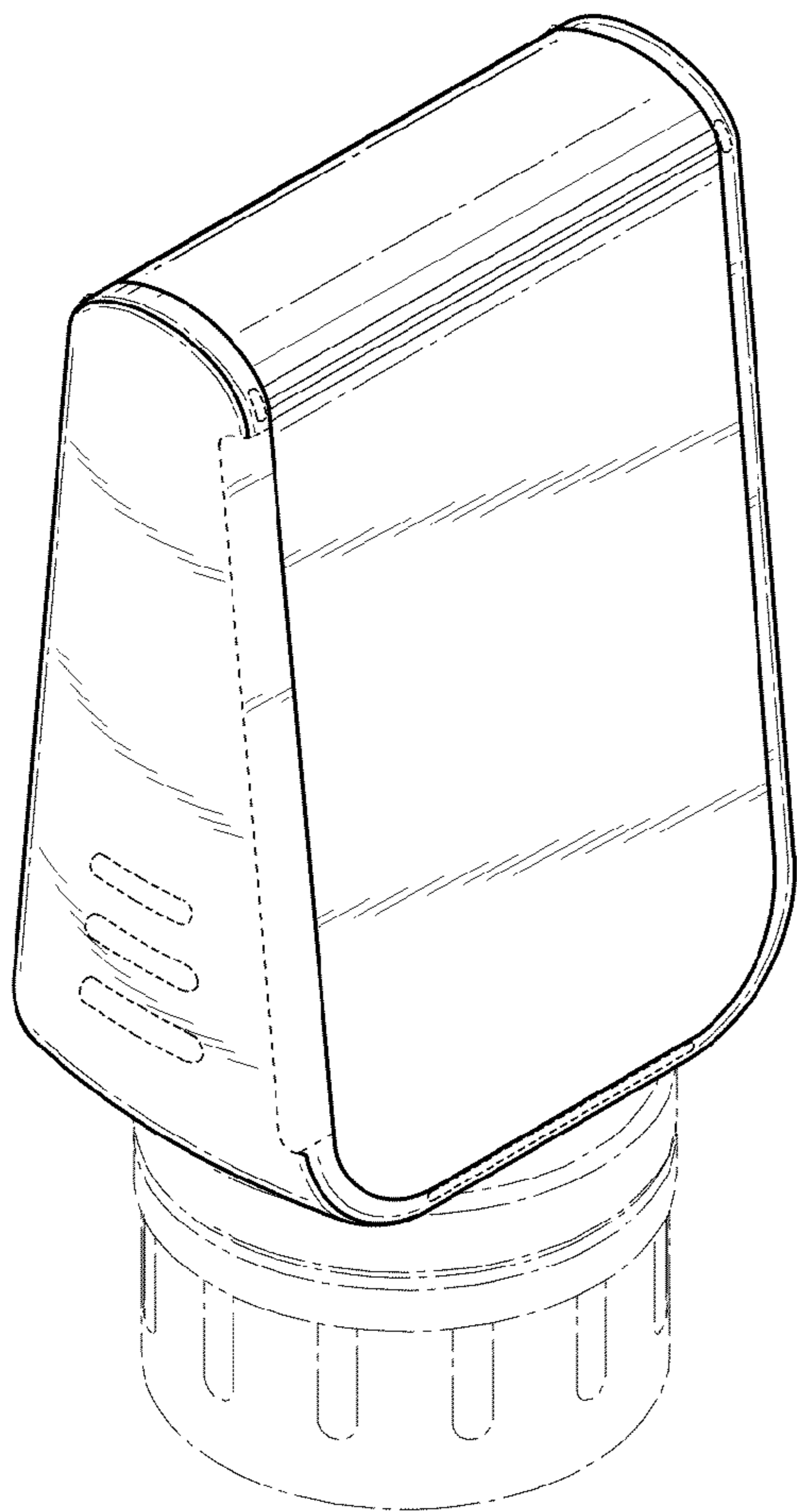


Fig. 10

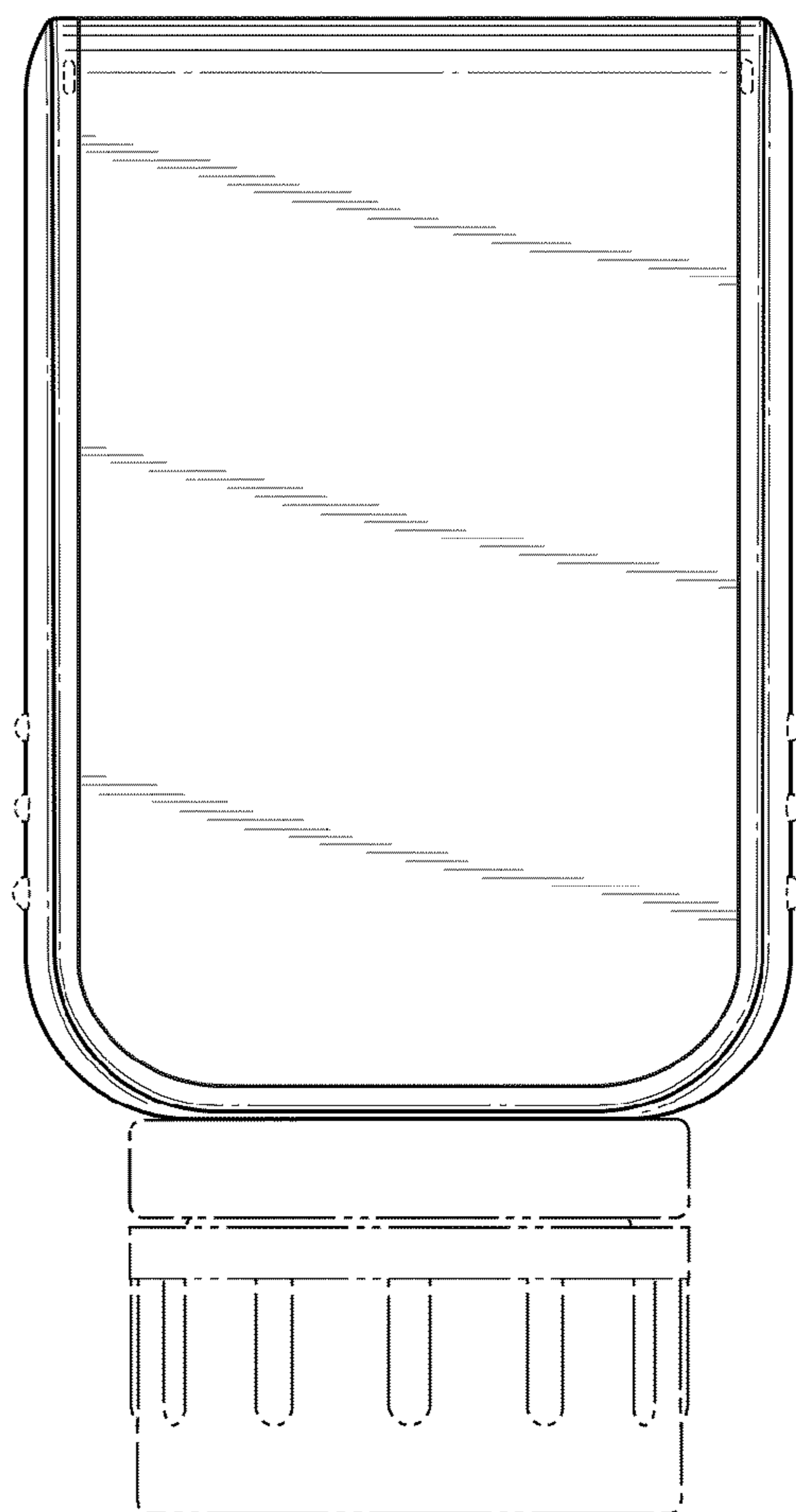


Fig. 11

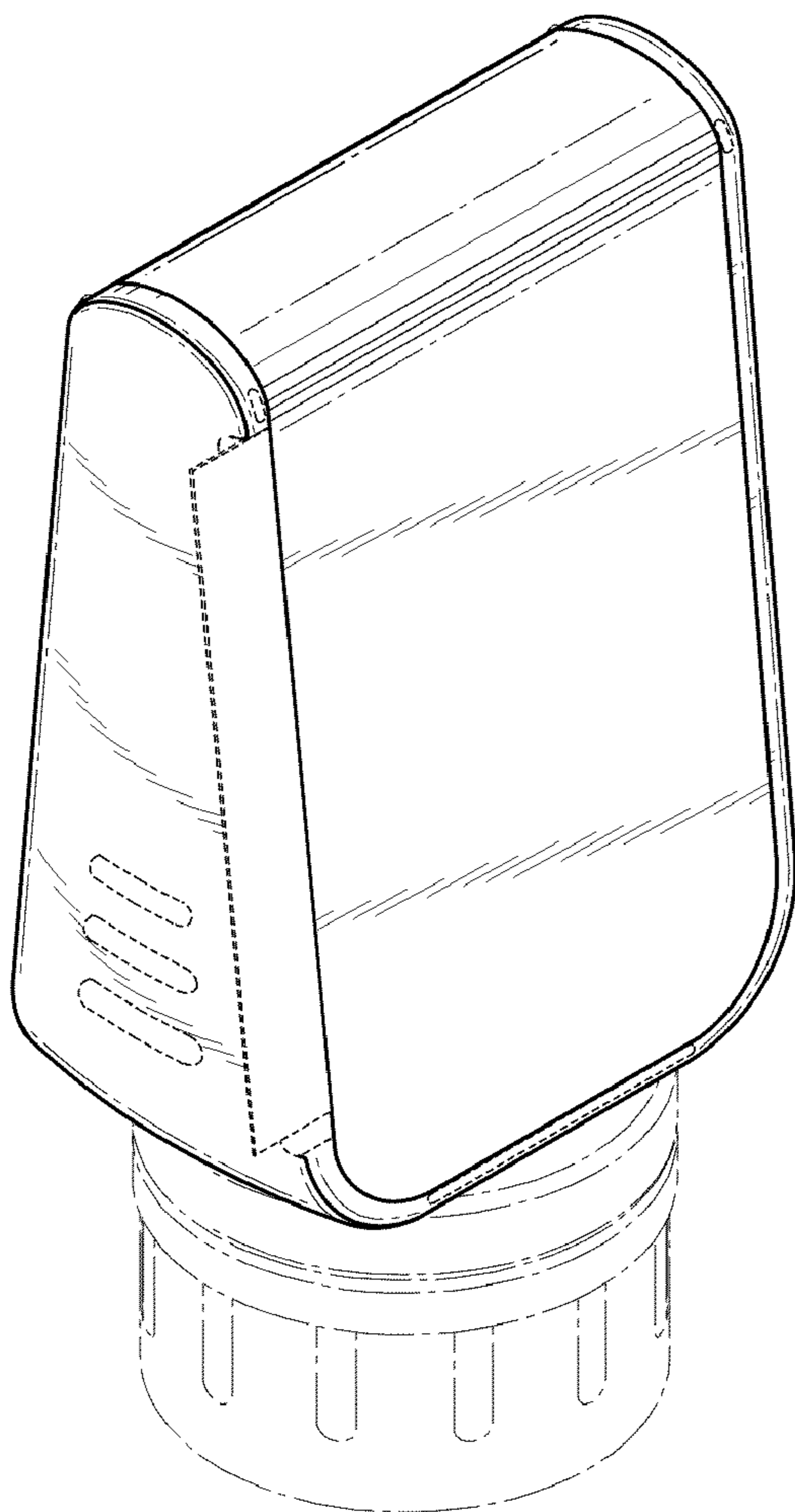


Fig. 12

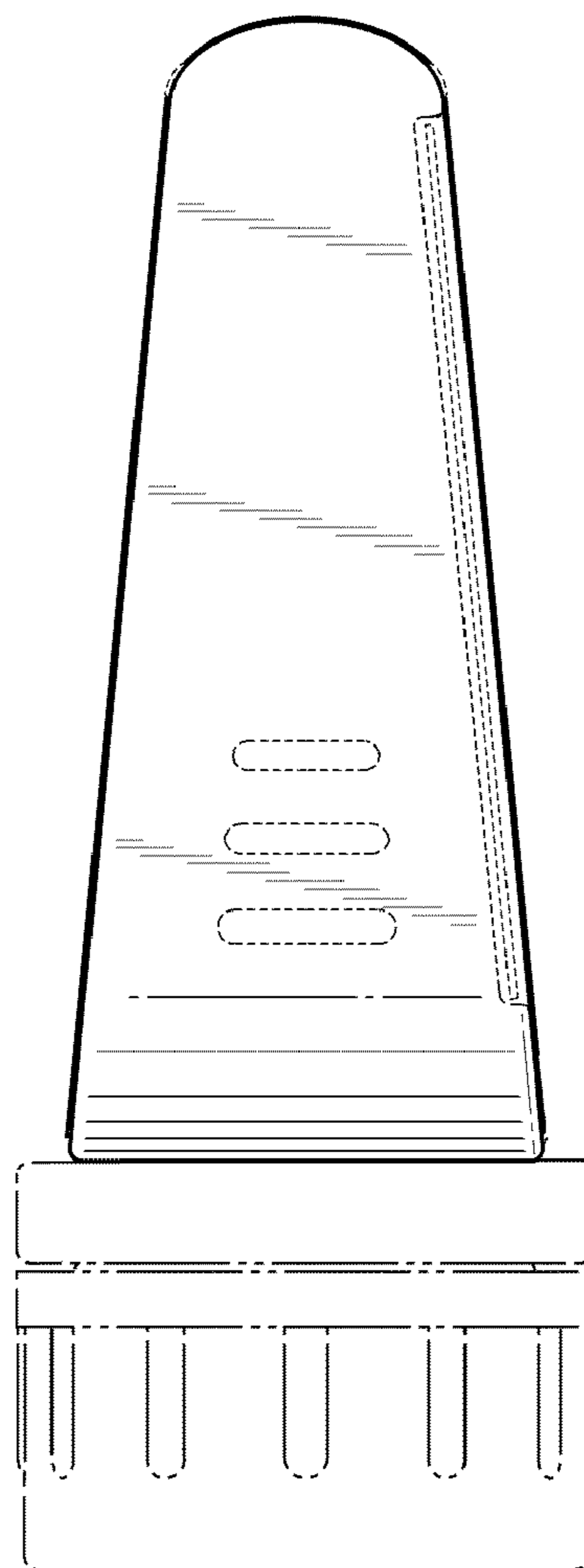


Fig. 13