



US00D572588S

(12) **United States Design Patent**  
**Osborn et al.**

(10) **Patent No.:** **US D572,588 S**  
(45) **Date of Patent:** **\*\* Jul. 8, 2008**

(54) **POLYMERIC PLASTIC INSERT FOR A GIFT CARD CONTAINER**

(76) Inventors: **Warren R. Osborn**, 5152 N. Edgewood Dr. Suite 165, Provo, UT (US) 84604-5813; **Bryan P. Dunford**, 5152 N. Edgewood Dr. Suite 165, Provo, UT (US) 84604-5813

(\*) Notice: This patent is subject to a terminal disclaimer.

(\*\*) Term: **14 Years**

(21) Appl. No.: **29/245,879**

(22) Filed: **Dec. 29, 2005**

**Related U.S. Application Data**

(63) Continuation-in-part of application No. 11/015,326, filed on Dec. 15, 2004.

(51) **LOC (8) Cl.** ..... **09-07**

(52) **U.S. Cl.** ..... **D9/456**

(58) **Field of Classification Search** ..... D9/455, D9/434, 414, 457, 456; D3/901; 229/403; 220/737-739, 592.17; 206/307, 449, 456, 206/562, 486-490, 564

See application file for complete search history.

(56) **References Cited**

**U.S. PATENT DOCUMENTS**

D224,928	S	*	10/1972	Wiley	.....	D9/456
D235,737	S	*	7/1975	Paone et al.	.....	D9/456
D276,702	S	*	12/1984	Entenmann et al.	.....	D9/456
D284,841	S	*	7/1986	Rowland et al.	.....	D9/456
5,147,042	A	*	9/1992	Levy	.....	206/456
D383,064	S	*	9/1997	Tsukikawa	.....	D9/432
D398,527	S	*	9/1998	Maceachern et al.	.....	D9/432
6,006,911	A	*	12/1999	Levy	.....	206/456
D511,093	S	*	11/2005	Keeton	.....	D9/433
2006/0151349	A1	*	7/2006	Andrews et al.	.....	206/456

\* cited by examiner

*Primary Examiner*—Robert M. Spear  
*Assistant Examiner*—Susan Bennett Hattan  
(74) *Attorney, Agent, or Firm*—Angus C. Fox, III

(57) **CLAIM**

What is claimed is the ornamental design for a polymeric plastic insert for a gift card container, as shown and described.

**DESCRIPTION**

FIG. 1 is an isometric exploded view showing a first embodiment of our new design for a polymeric plastic insert for a gift card container installed within a sheet metal gift card container, a gift card positioned for installation within a recess within the insert and a lid positioned for installation on the container;

FIG. 2 is an isometric top/end/side view of an injection-molded, first embodiment polymeric plastic insert for a gift card container;

FIG. 3 is an isometric bottom/end/side view thereof;

FIG. 4 is an elevational view of either side thereof;

FIG. 5 is an elevational view of either end thereof;

FIG. 6 is a top plan view thereof;

FIG. 7 is a bottom plan view thereof;

FIG. 8 is an isometric top/end/side view of a vacuum-formed, second embodiment polymeric plastic insert for a gift card container;

FIG. 9 is an isometric bottom/end/side view thereof;

FIG. 10 is an elevational view of either side thereof;

FIG. 11 is an elevational view of either end thereof;

FIG. 12 is a top plan view thereof;

FIG. 13 is a bottom plan view thereof; and,

FIG. 14 is an isometric exploded view showing a second embodiment of our new design for a polymeric plastic insert for a gift card container installed within a sheet metal gift card container, a gift card positioned for installation on the container.

The broken line in the drawings depict environmental subject matter only and form no party of the claimed design.

**1 Claim, 6 Drawing Sheets**

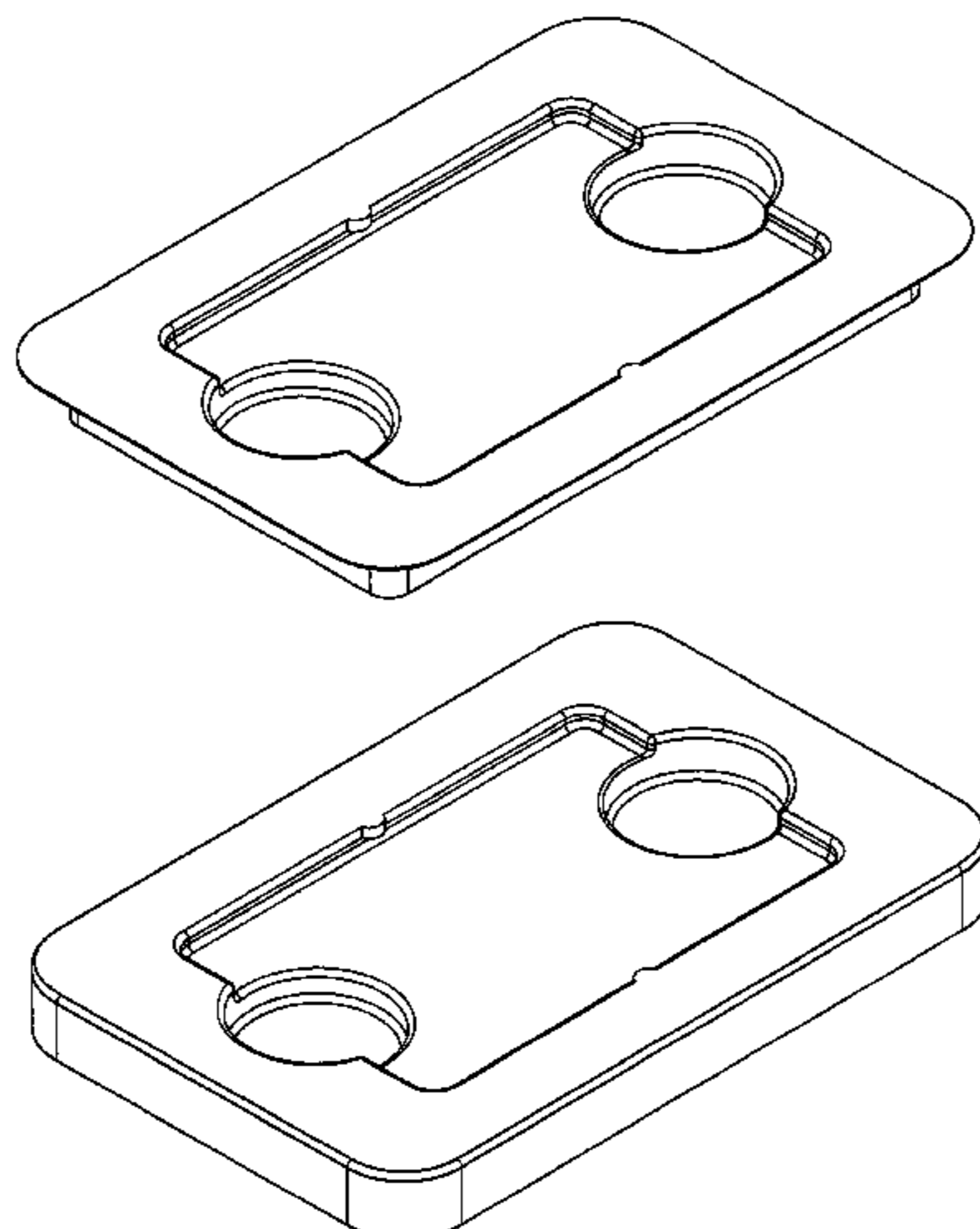
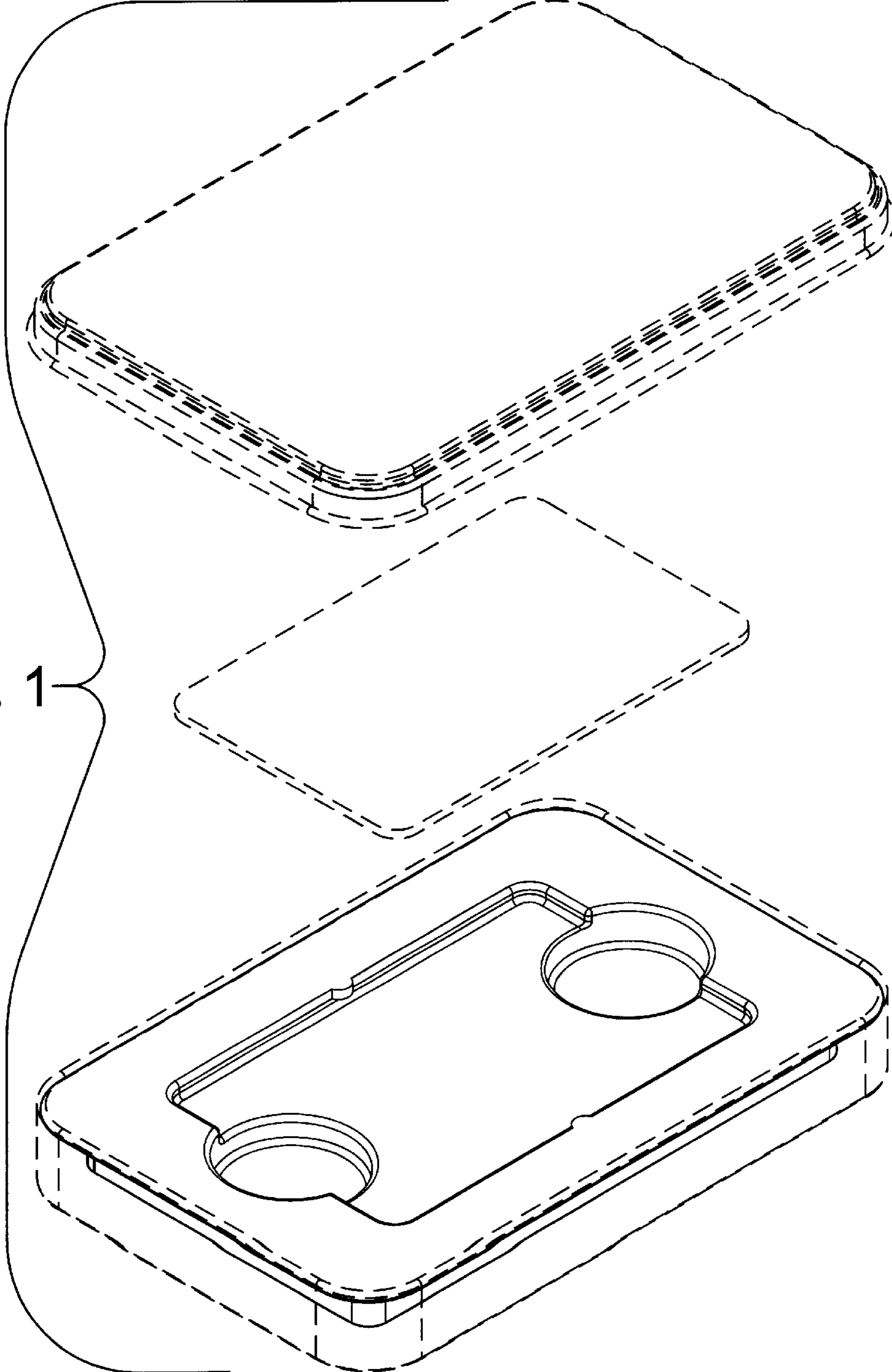


FIG. 1



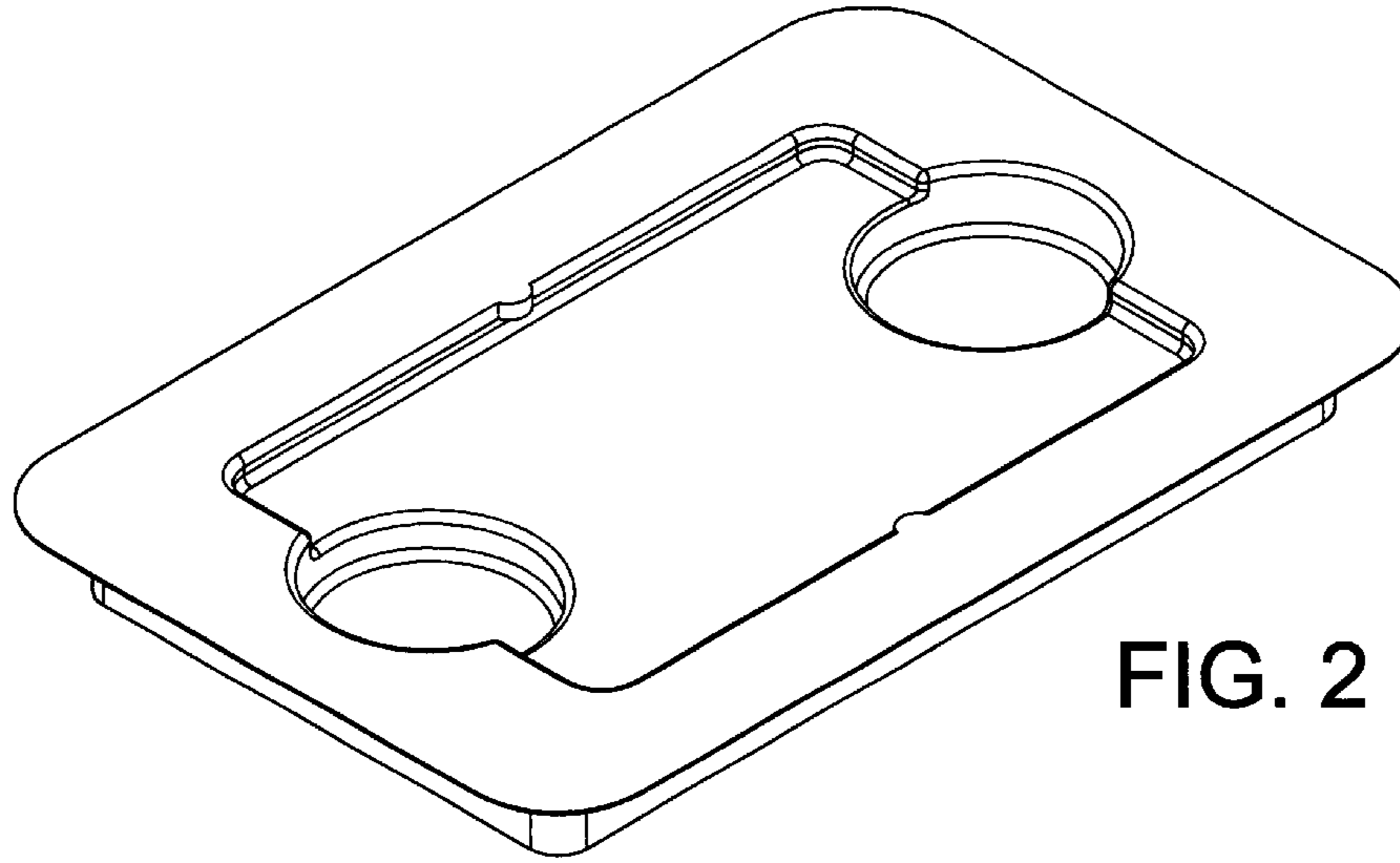


FIG. 2

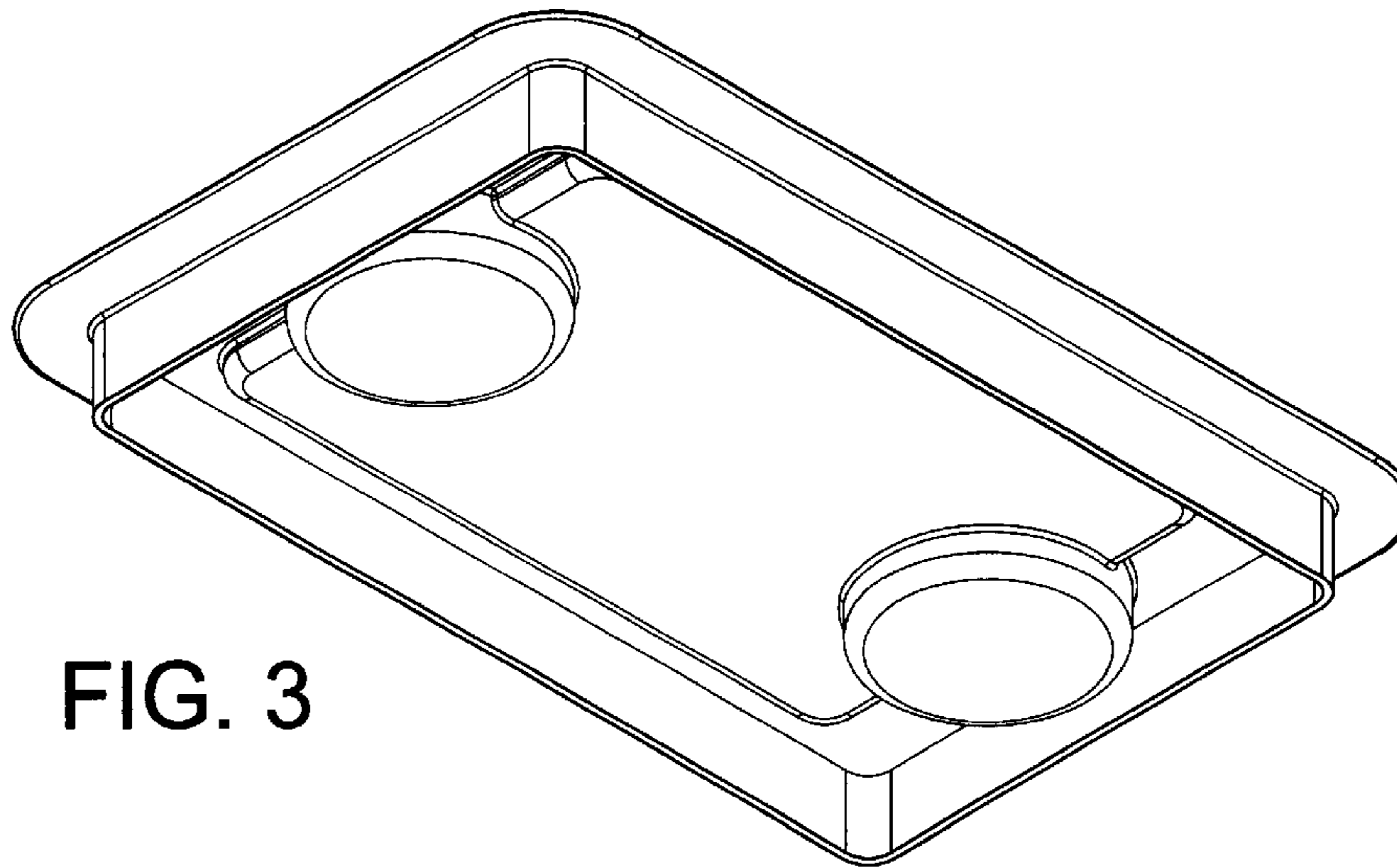


FIG. 3

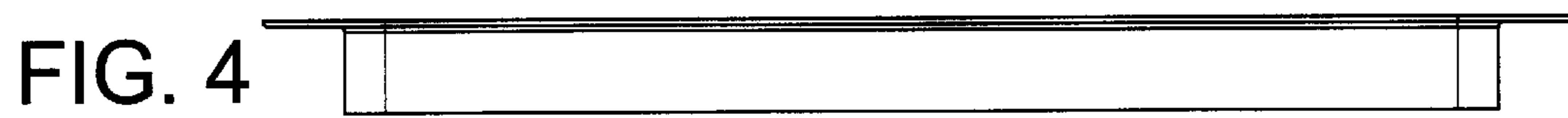


FIG. 4



FIG. 5

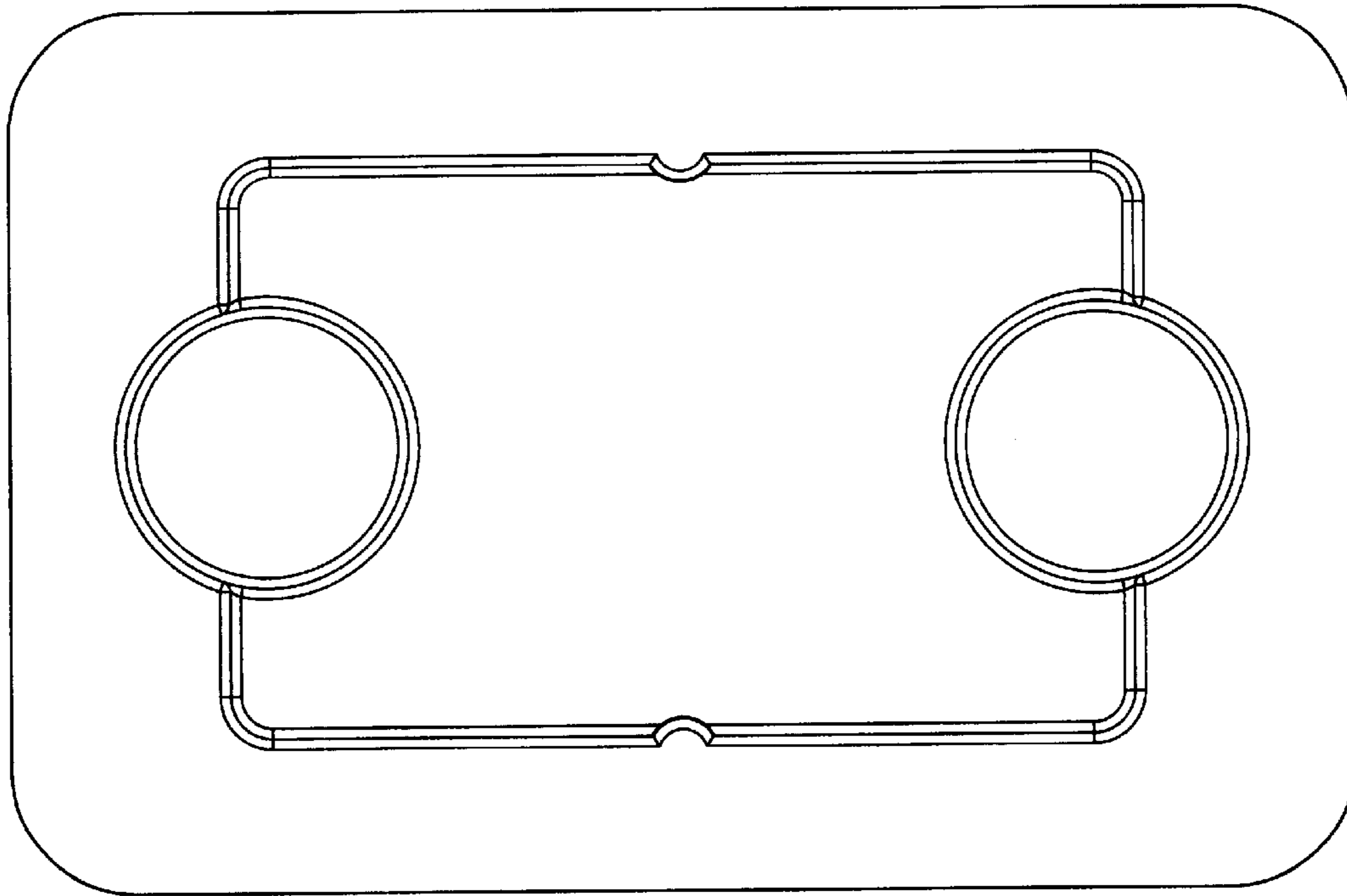


FIG. 6

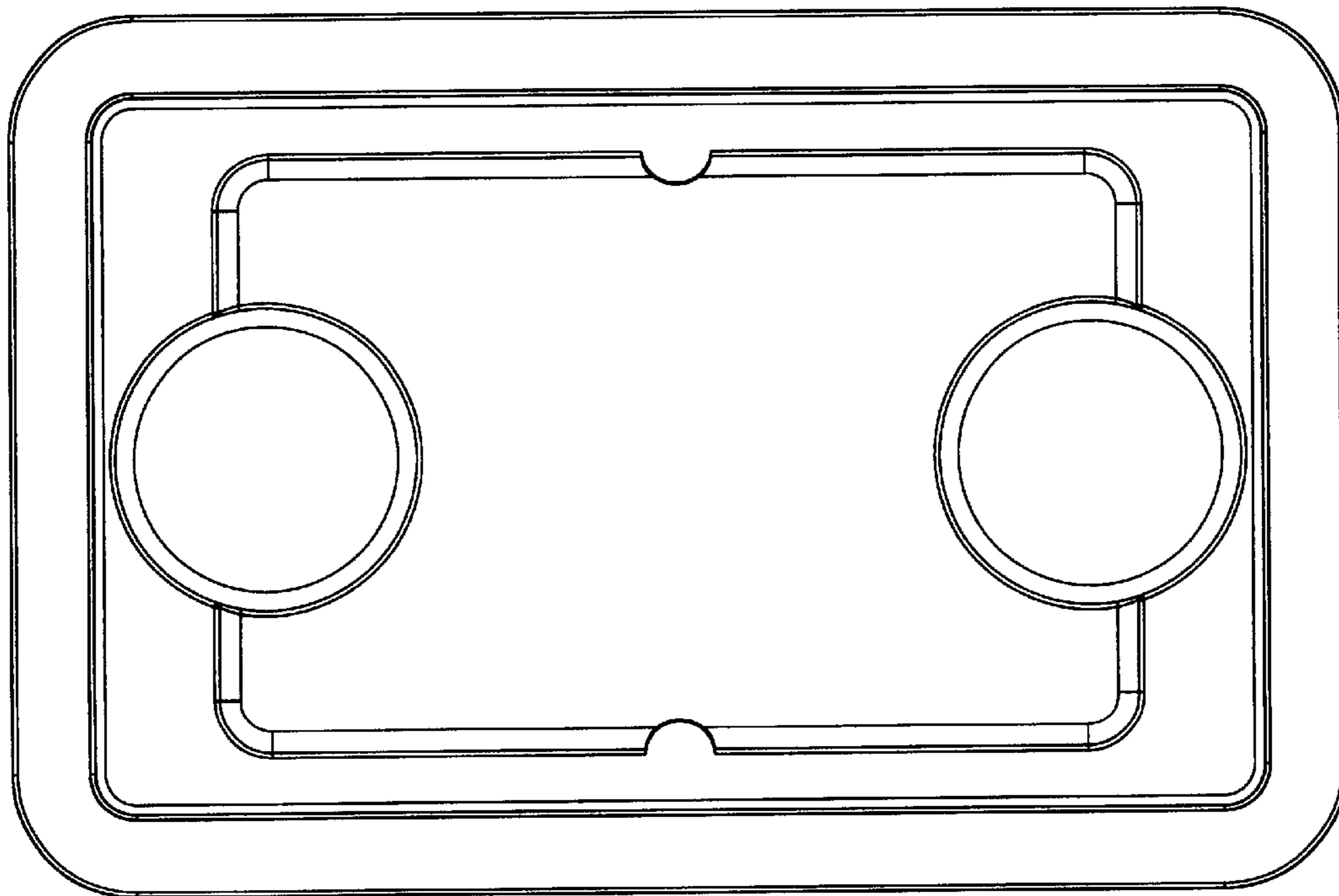


FIG. 7

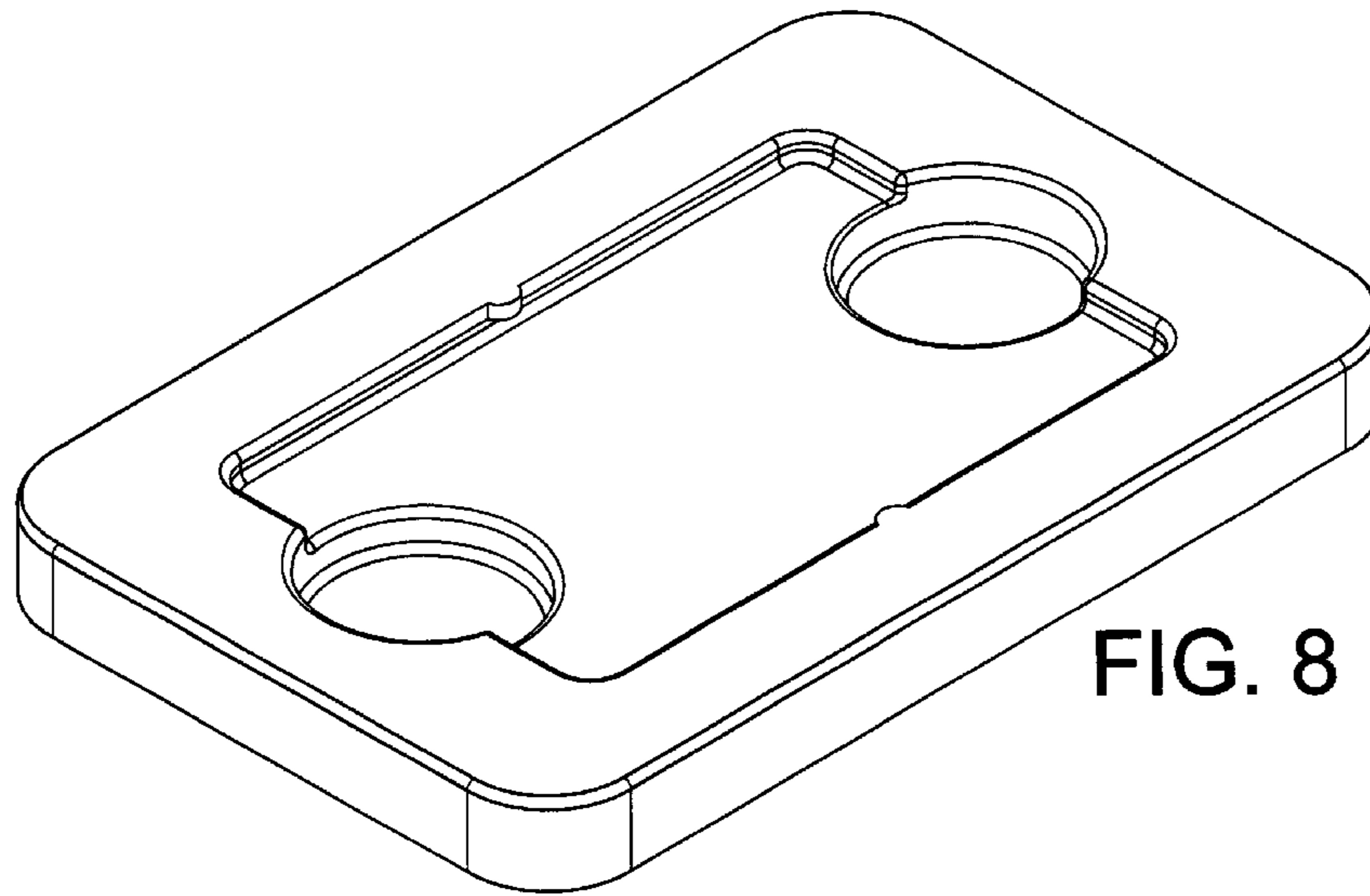


FIG. 8

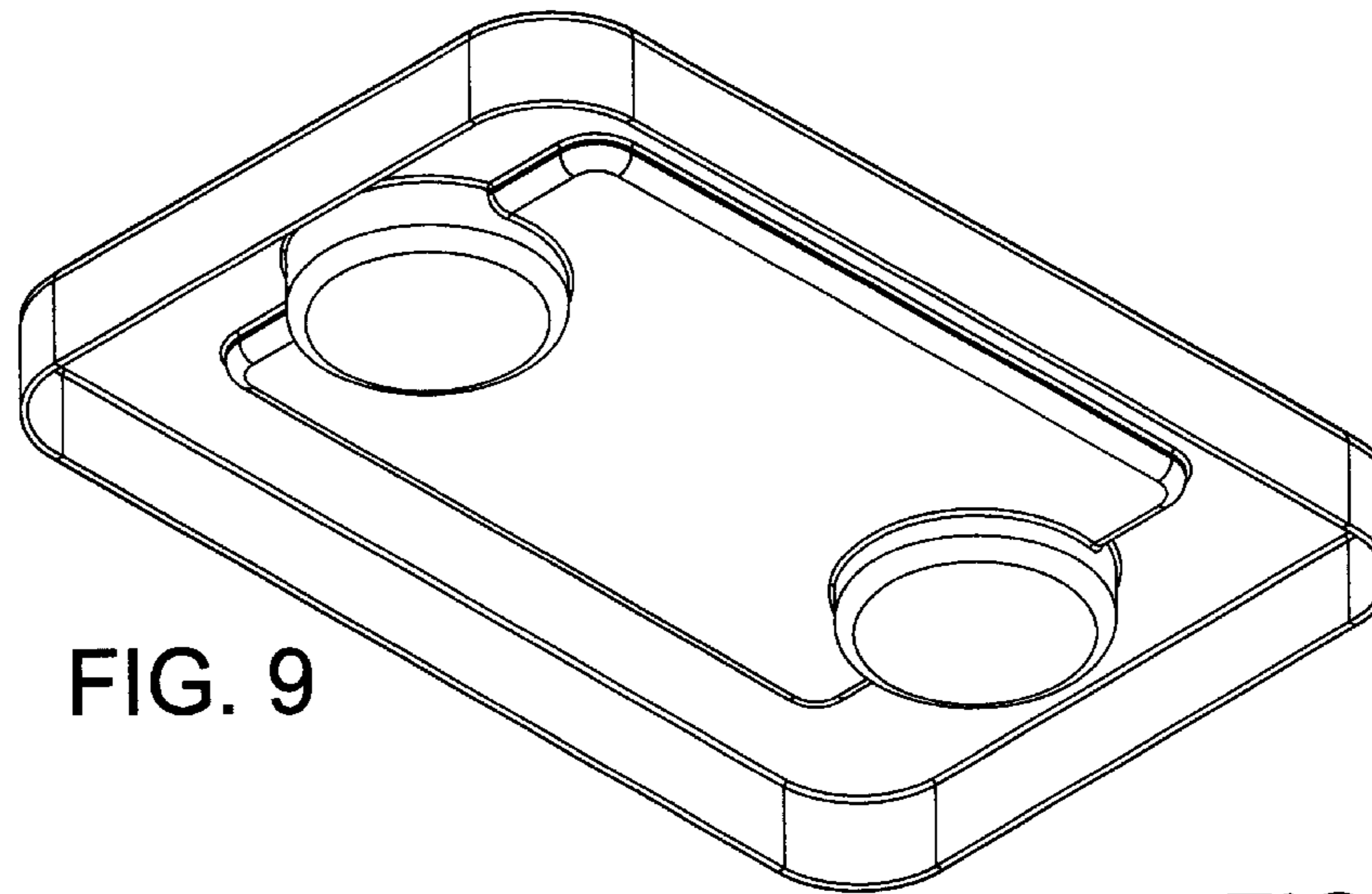


FIG. 9

FIG. 10

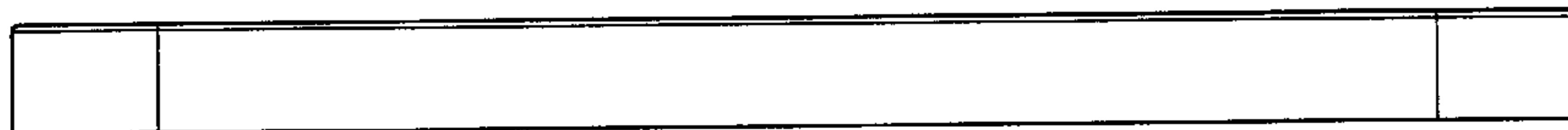


FIG. 11

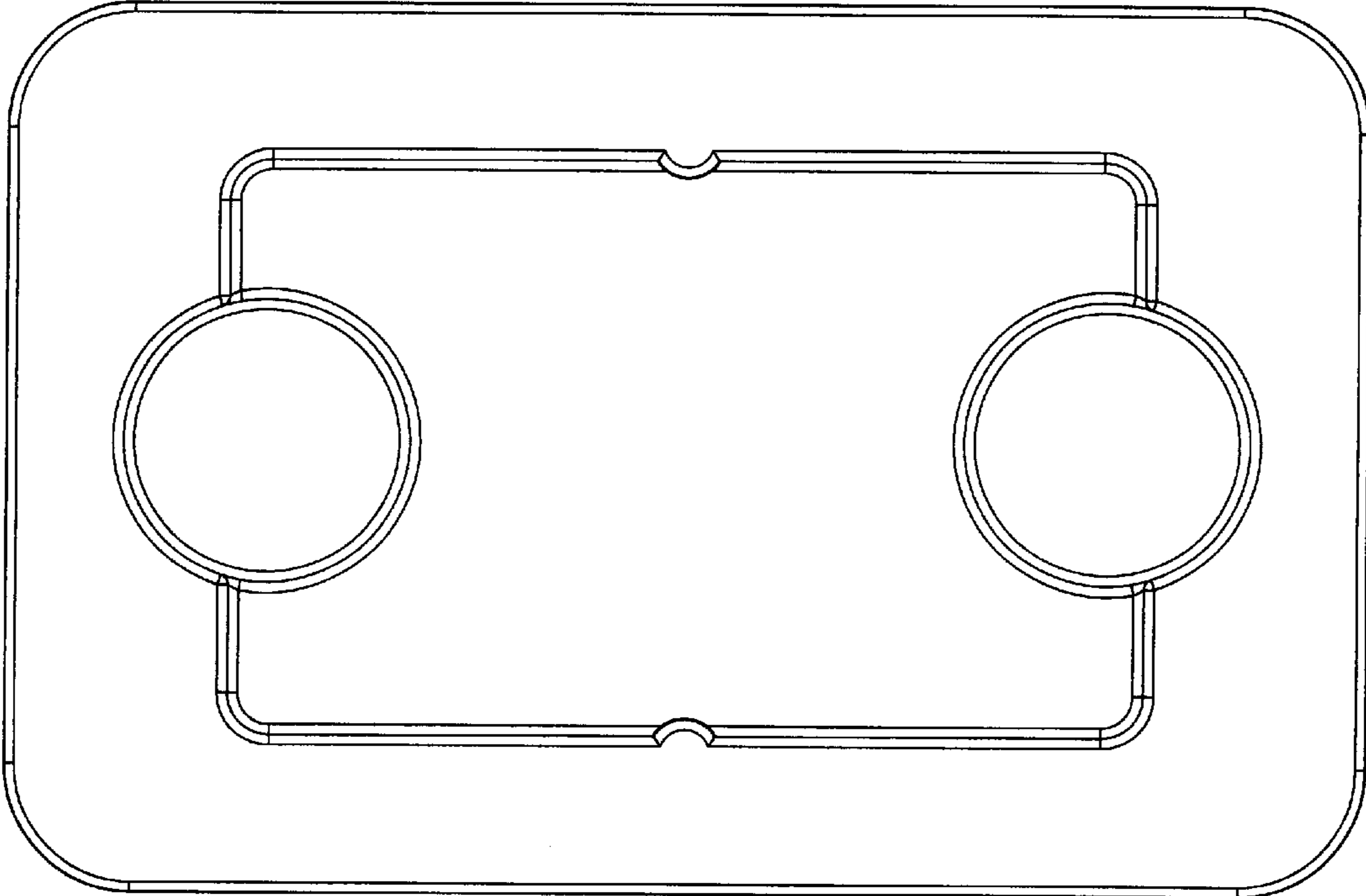


FIG. 12

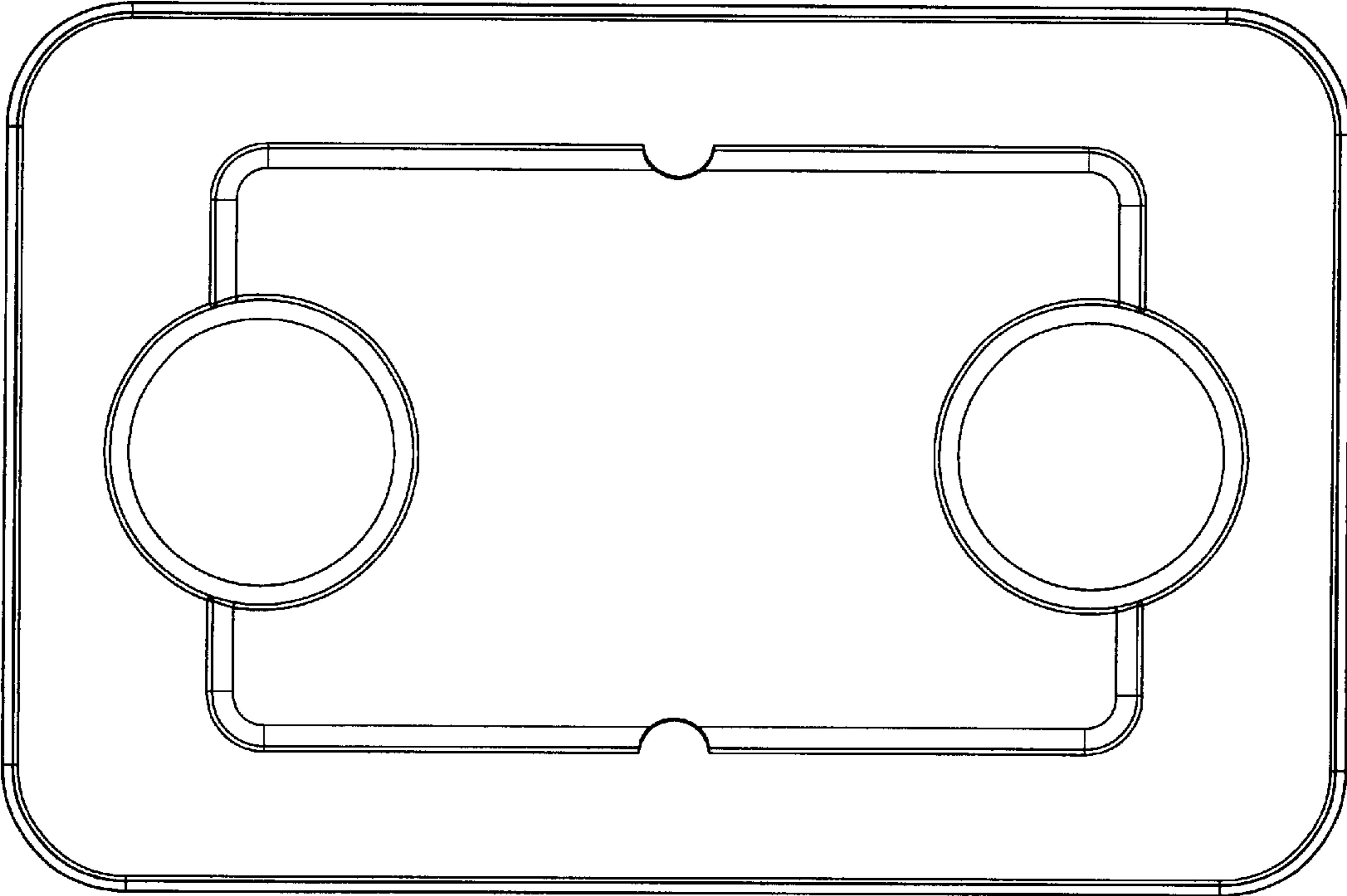


FIG. 13

FIG. 14

