



US00D572586S

(12) **United States Design Patent**  
**Medema**

(10) **Patent No.:** **US D572,586 S**  
(45) **Date of Patent:** **\*\* Jul. 8, 2008**

(54) **AEROSOL CAP**

(75) Inventor: **Douglas J. Medema**, Belding, MI (US)

(73) Assignee: **BISSELL Homecare, Inc.**, Grand Rapids, MI (US)

(\*\*) Term: **14 Years**

(21) Appl. No.: **29/298,740**

(22) Filed: **Dec. 12, 2007**

(51) **LOC (8) Cl.** ..... **09-07**

(52) **U.S. Cl.** ..... **D9/445; D9/454**

(58) **Field of Classification Search** ..... D9/662,  
D9/661, 529, 504, 454, 453, 452, 448, 445,  
D9/444, 435, 726, 503, 689, 459, 728, 682;  
222/5, 148, 402.13; 220/915, 796, 675, 284,  
220/200, 212; 215/281, 222; D7/728, 608,  
D7/510; D11/152; D23/223

See application file for complete search history.

(56) **References Cited**

**U.S. PATENT DOCUMENTS**

- D201,320 S \* 6/1965 Hirohama ..... D9/453
- D346,112 S \* 4/1994 Alcindor ..... D9/726
- D371,304 S \* 7/1996 Onneweer ..... D9/503
- D402,203 S \* 12/1998 de Laforcade ..... D9/448

- D418,758 S \* 1/2000 Yucknut ..... D9/503
- 6,116,469 A \* 9/2000 Wallays et al. .... 222/148
- D447,418 S \* 9/2001 Bezek et al. .... D9/504
- D454,282 S \* 3/2002 Mano ..... D7/608
- D459,155 S \* 6/2002 Atkin et al. .... D7/510
- 6,472,007 B2 \* 10/2002 Bezek et al. .... 220/212
- 6,596,328 B1 \* 7/2003 Bezek et al. .... 220/212
- D481,935 S \* 11/2003 Kunesh et al. .... D9/689
- D490,709 S \* 6/2004 Bezek ..... D9/444
- D508,414 S \* 8/2005 Lamb et al. .... D9/504
- D518,727 S \* 4/2006 Haley et al. .... D9/504

\* cited by examiner

*Primary Examiner*—Gary D. Watson

*Assistant Examiner*—Susan B Hattan

(74) *Attorney, Agent, or Firm*—McGarry Bair PC

(57) **CLAIM**

The ornamental design for an aerosol cap, as shown and described.

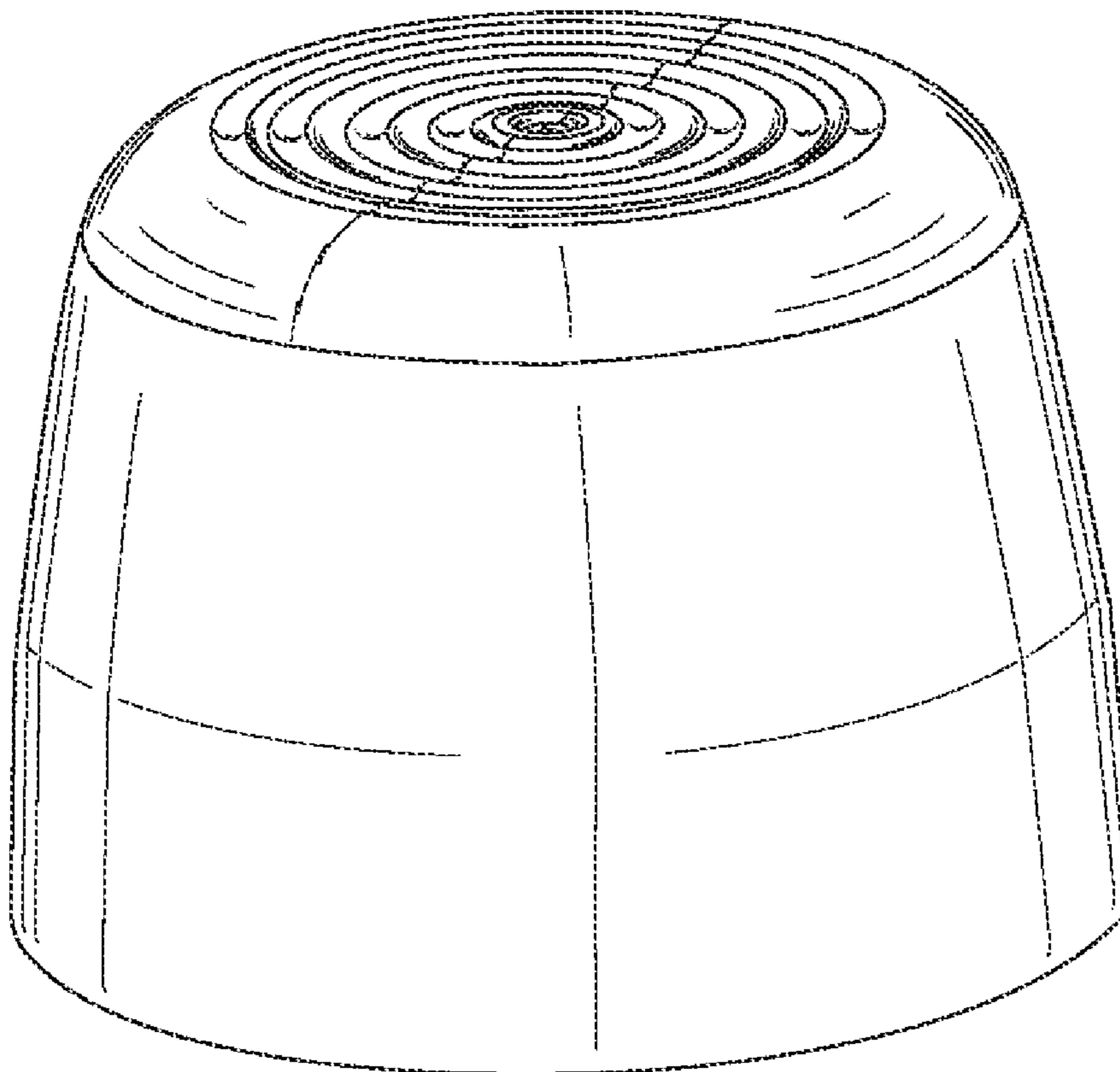
**DESCRIPTION**

FIG. 1 is a perspective view of the aerosol cap which embodies my design;

FIG. 2 is a side view thereof, and,

FIG. 3 is a top view thereof.

**1 Claim, 1 Drawing Sheet**



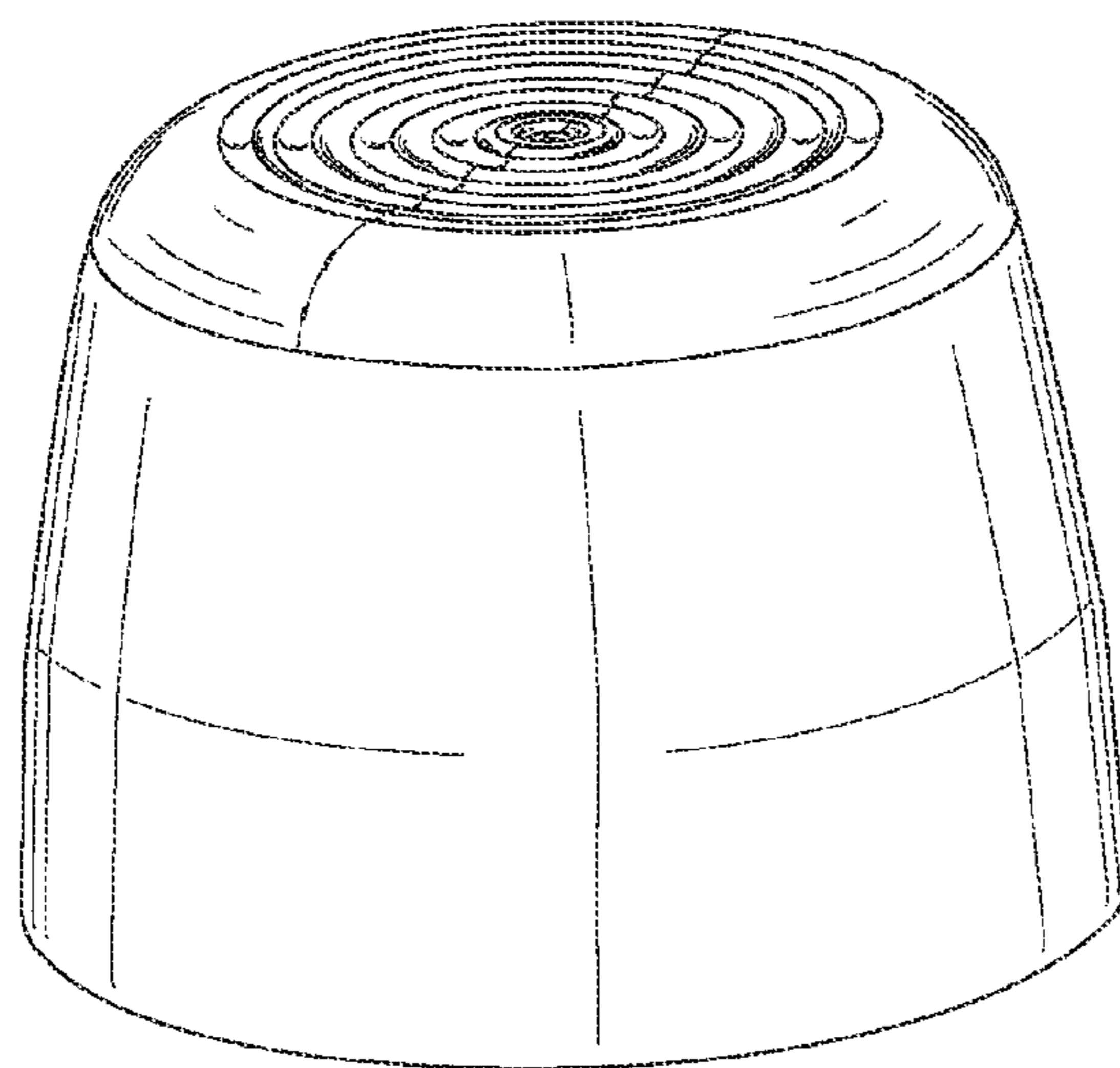


Fig. 1

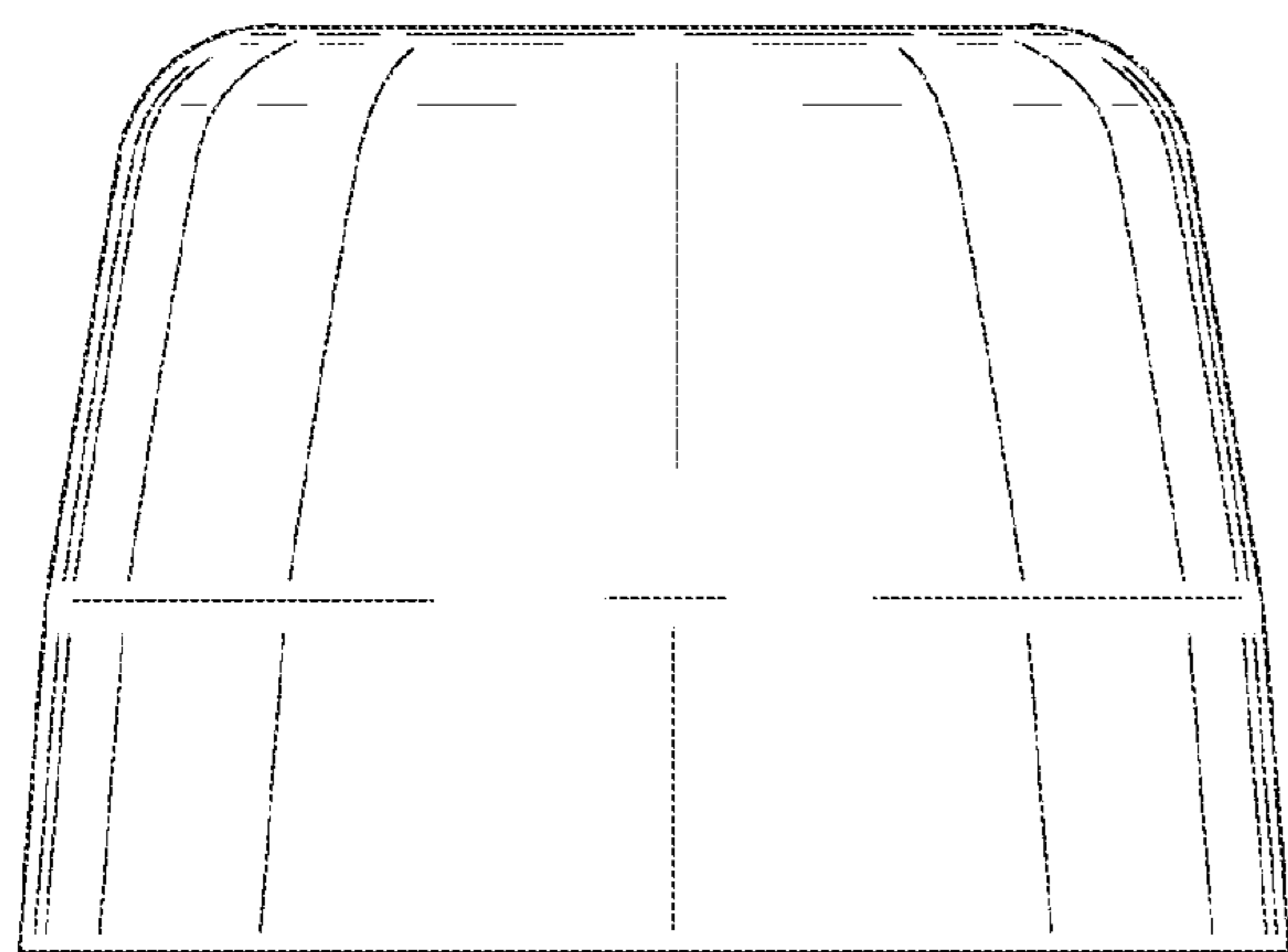


Fig. 2

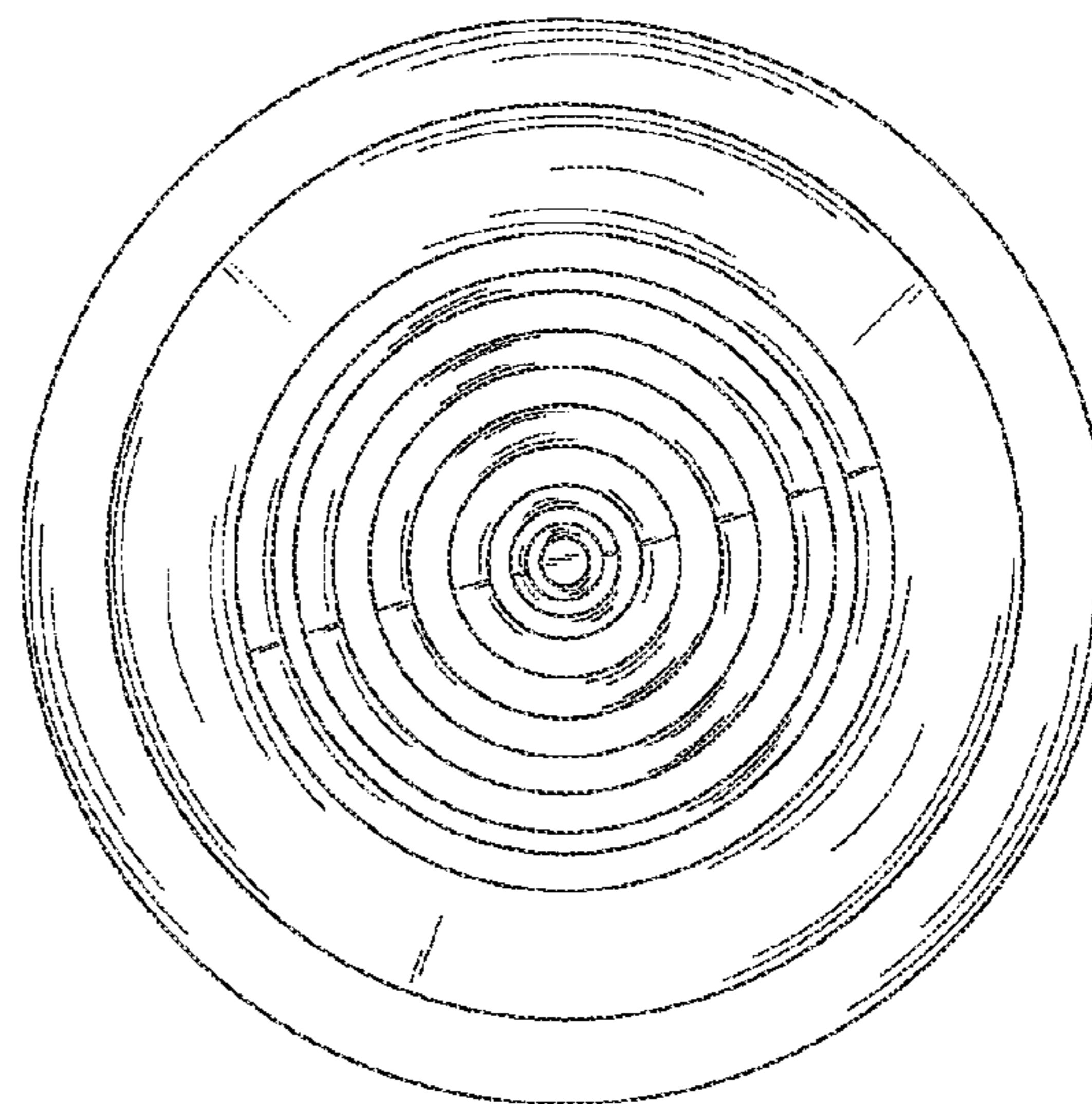


Fig. 3