

US00D572585S

(12) **United States Design Patent**
Perrin et al.

(10) **Patent No.:** **US D572,585 S**
(45) **Date of Patent:** **** Jul. 8, 2008**

(54) **CAP**
(75) Inventors: **Timothy E. Perrin**, Hartford, WI (US);
Theodore E. Dhein, Sussex, WI (US);
James A. Piper, III, St. Charles, IL
(US); **Kieron Tse**, Batavia, IL (US)
(73) Assignee: **Bradley Fixtures Corporation**,
Menomonee Falls, WI (US)

3,945,381 A 3/1976 Silver
4,052,985 A 10/1977 Coleman et al.
D248,448 S 7/1978 McClure et al.
4,106,673 A 8/1978 Donoghue
4,259,953 A 4/1981 Shaw
4,363,146 A 12/1982 Liautaud
4,740,206 A 4/1988 Allander
4,758,237 A 7/1988 Sacks

(Continued)

(**) Term: **14 Years**

FOREIGN PATENT DOCUMENTS

(21) Appl. No.: **29/282,038**

DE 32 45 464 A1 7/1983

(22) Filed: **Jul. 10, 2007**

(Continued)

(51) **LOC (8) Cl.** **09-07**

(52) **U.S. Cl.** **D9/443; D9/445**

(58) **Field of Classification Search** D9/662,
D9/661, 529, 504, 454, 453, 452, 448, 445,
D9/444, 435, 726, 503, 689, 429, 728, 682;
222/5, 402.13, 148; 220/915, 796, 675, 284,
220/200, 212; 215/281, 222; D23/223, 260;
D7/728, 608, 510; D11/152

See application file for complete search history.

OTHER PUBLICATIONS

Bradley Corporation, Installation Instructions for Opti-Aid® Personal Eyewash Station, bearing a designations of "© 2006 Bradley Corporation" and "Jun. 6, 2006".

(Continued)

Primary Examiner—Gary D. Watson
Assistant Examiner—Susan B Hattan

(74) *Attorney, Agent, or Firm*—Foley & Lardner LLP

(56) **References Cited**

(57) **CLAIM**

U.S. PATENT DOCUMENTS

1,336,109 A 4/1920 Trullinger
1,557,620 A 10/1925 Robinson
1,846,763 A 2/1932 Schaefer
1,944,901 A 1/1934 Mock
2,019,071 A 10/1935 Carr
2,524,720 A 10/1950 Watrous
2,543,163 A 2/1951 Greiner
2,626,606 A 1/1953 Campbell
2,714,975 A 8/1955 Greene
2,754,821 A 7/1956 Burbig et al.
2,994,483 A 8/1961 Christian
3,016,898 A 1/1962 Erwin
3,121,511 A 2/1964 Whitehead
3,409,009 A 11/1968 Vasse
3,439,674 A 4/1969 Lelicoff
3,456,650 A 7/1969 Schwarzman
3,598,121 A 8/1971 Lelicoff

We claim the ornamental design for a cap, as shown and described.

DESCRIPTION

FIG. 1 is a perspective view of the claimed design;

FIG. 2 is a top view of FIG. 1;

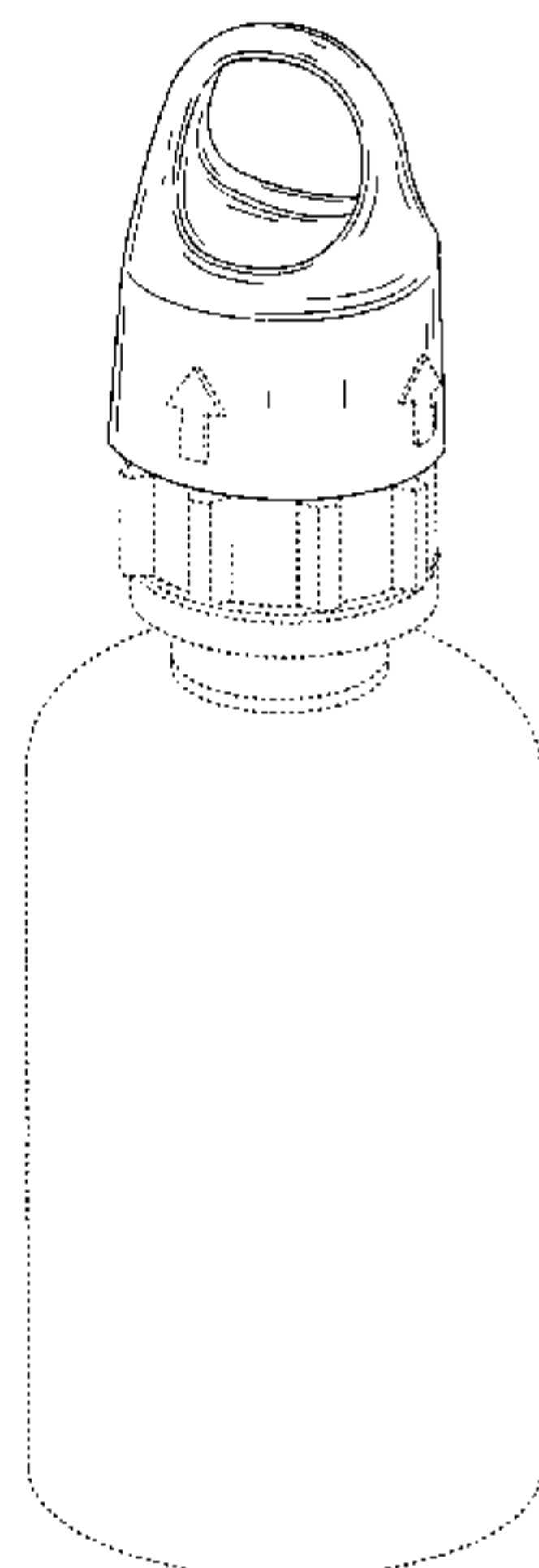
FIG. 3 is a bottom view of FIG. 1;

FIG. 4 is a front view of FIG. 1, the rear view being identical to FIG. 4; and,

FIG. 5 is a right side view of FIG. 1, the left side view being identical to FIG. 5.

The broken lines in the drawings are for illustrative purposes only and form no part of the claimed design.

1 Claim, 4 Drawing Sheets



US D572,585 S

Page 2

U.S. PATENT DOCUMENTS

5,007,905	A	4/1991	Bauer	
5,030,214	A	7/1991	Spector	
D332,379	S *	1/1993	Murphy	D9/443
5,201,726	A	4/1993	Kirkham	
5,216,765	A	6/1993	Paterson et al.	
5,314,085	A	5/1994	Collado Bonet	
5,320,615	A	6/1994	Van Keuren	
5,342,327	A	8/1994	Epstein	
5,588,564	A	12/1996	Hutson et al.	
6,032,705	A	3/2000	Murphy et al.	
D422,916	S *	4/2000	Herrmann	D9/443
6,105,639	A	8/2000	Murphy et al.	
D454,066	S *	3/2002	Trabal	D9/443
D458,134	S *	6/2002	Berish et al.	D9/443
6,398,766	B1	6/2002	Branch	
6,423,040	B1	7/2002	Benktzon et al.	
6,547,770	B2	4/2003	Carlsson et al.	
D479,800	S *	9/2003	McRae	D9/443
D485,757	S *	1/2004	Roth et al.	D9/443
6,758,837	B2	7/2004	Peclat et al.	
6,976,279	B1	12/2005	Berke et al.	
7,011,652	B1	3/2006	Berke et al.	
D524,909	S *	7/2006	Bakke et al.	D23/233
D530,608	S *	10/2006	Nukuto et al.	D9/445
D531,030	S *	10/2006	Nukuto et al.	D9/445
D533,076	S *	12/2006	Awbrey et al.	D9/529
D554,512	S *	11/2007	Nukuto et al.	D9/529
2002/0004653	A1	1/2002	Carlsson et al.	
2002/0161344	A1	10/2002	Peclat et al.	
2002/0193757	A1	12/2002	Benktzon et al.	
2004/0078010	A1	4/2004	Ahlstrom et al.	
2004/0215157	A1	10/2004	Peclat et al.	
2005/0054992	A1	3/2005	Madritsch et al.	
2006/0011657	A1	1/2006	Wright	
2006/0129113	A1	6/2006	Merrick	

FOREIGN PATENT DOCUMENTS

DE	3302868	8/1984
DE	35 00 549 A1	7/1986

DE	44 09 845 A1	8/1994
DE	101 20 827 A1	11/2001
EP	0 348 228 A1	12/1989
EP	0 685 218 B1	9/1998
EP	0 911 056 A1	4/1999
EP	0 998 895 A1	5/2000
EP	0 986 354 B1	12/2004
GB	2 260 125 A	4/1993
GB	2 362 639 A	11/2001
GB	2 389 314	12/2003
GB	2 392151 A	2/2004
JP	2001/187106	7/2001
JP	2001/309960	11/2001
JP	2003/144519	5/2003
WO	WO 86/05682	10/1986
WO	WO 87/02237	4/1987
WO	WO89/12434	12/1989
WO	WO 96/19177	6/1996
WO	WO 98/55059	12/1998
WO	WO 99/59519	11/1999
WO	WO 01/45632 A2	6/2001
WO	WO 01/72261 A3	10/2001
WO	WO 02/32370 A1	4/2002
WO	WO 02/062488 A1	8/2002
WO	WO 03/065967 A1	8/2003

OTHER PUBLICATIONS

Bradley Corporation, Installation Instructions for OneStep™ Personal Eyewash Station, bearing a designations of “© 2004 Bradley Corporation” and “Jul. 6, 2004”.

Bradley Corporation, Installation Instructions for Opti-Aid® Personal Eyewash Station, bearing a designations of “©2006 Bradley Corporation” and “Nov. 1, 2006”.

Bradley Corporation, Installation Instructions for Opti-Aid® Plus Personal Eyewash Station, bearing a designations of “© 2006 Bradley Corporation” and “Nov. 1, 2006”.

Bradley Corporation, Installation Instructions for Opti-Aid® Plus Personal Eyewash Station, bearing a designations of “© 2006 Bradley Corporation” and “Sep. 26, 2006”.

* cited by examiner

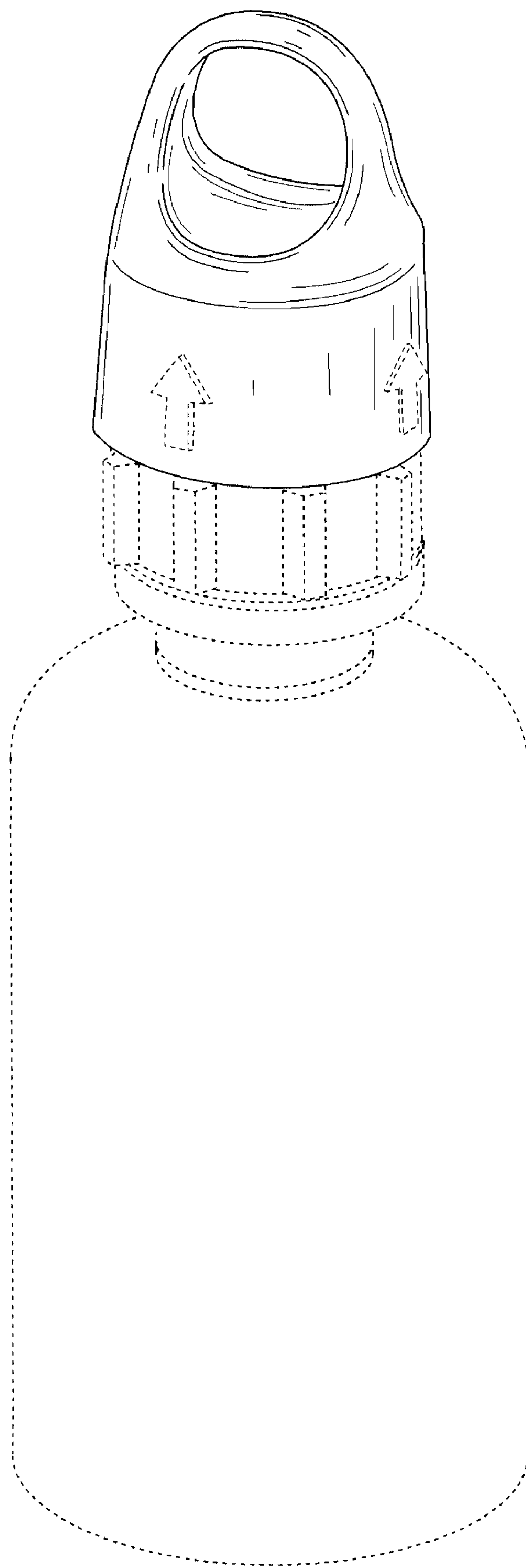


FIG. 1

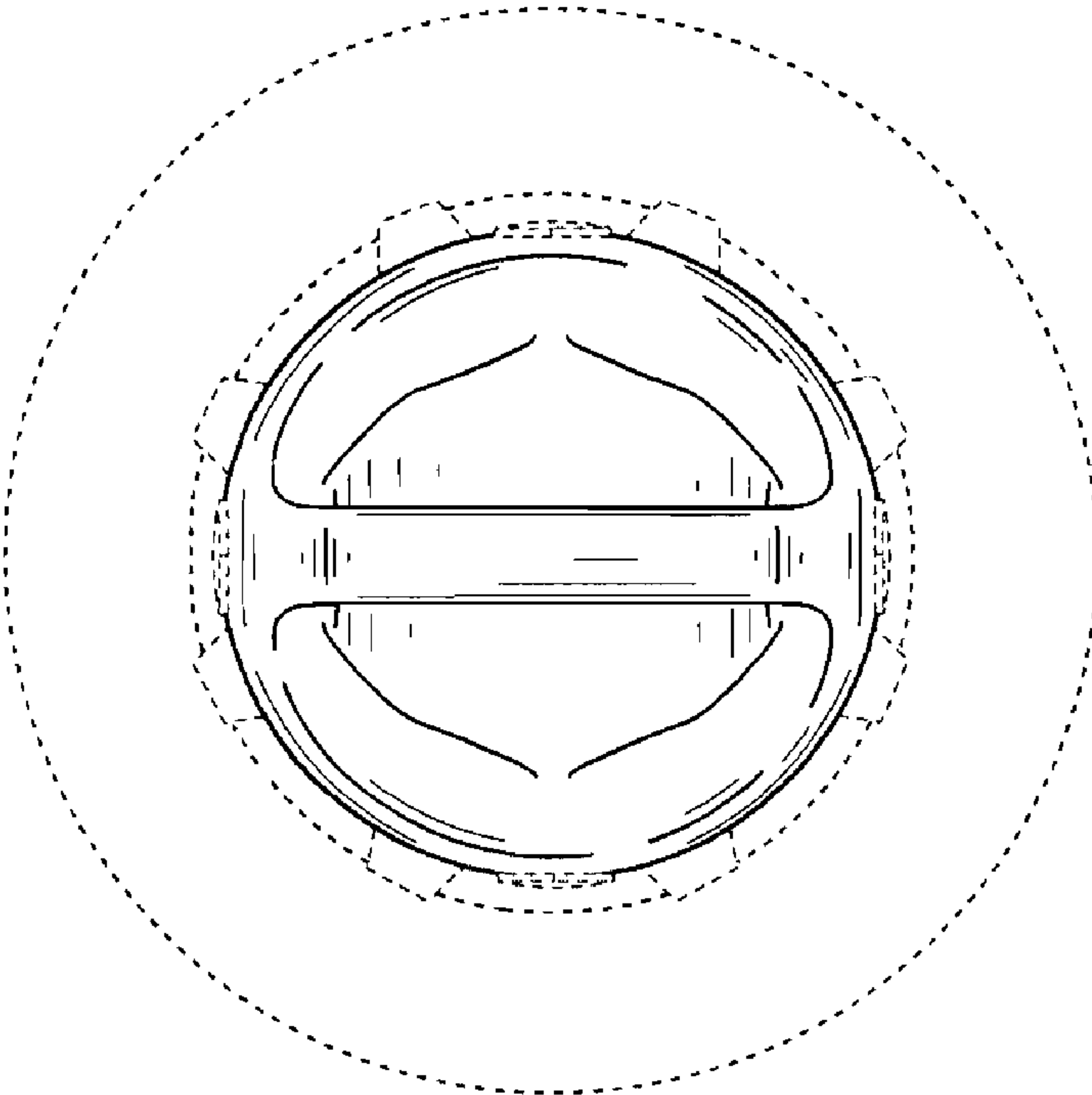


FIG. 2

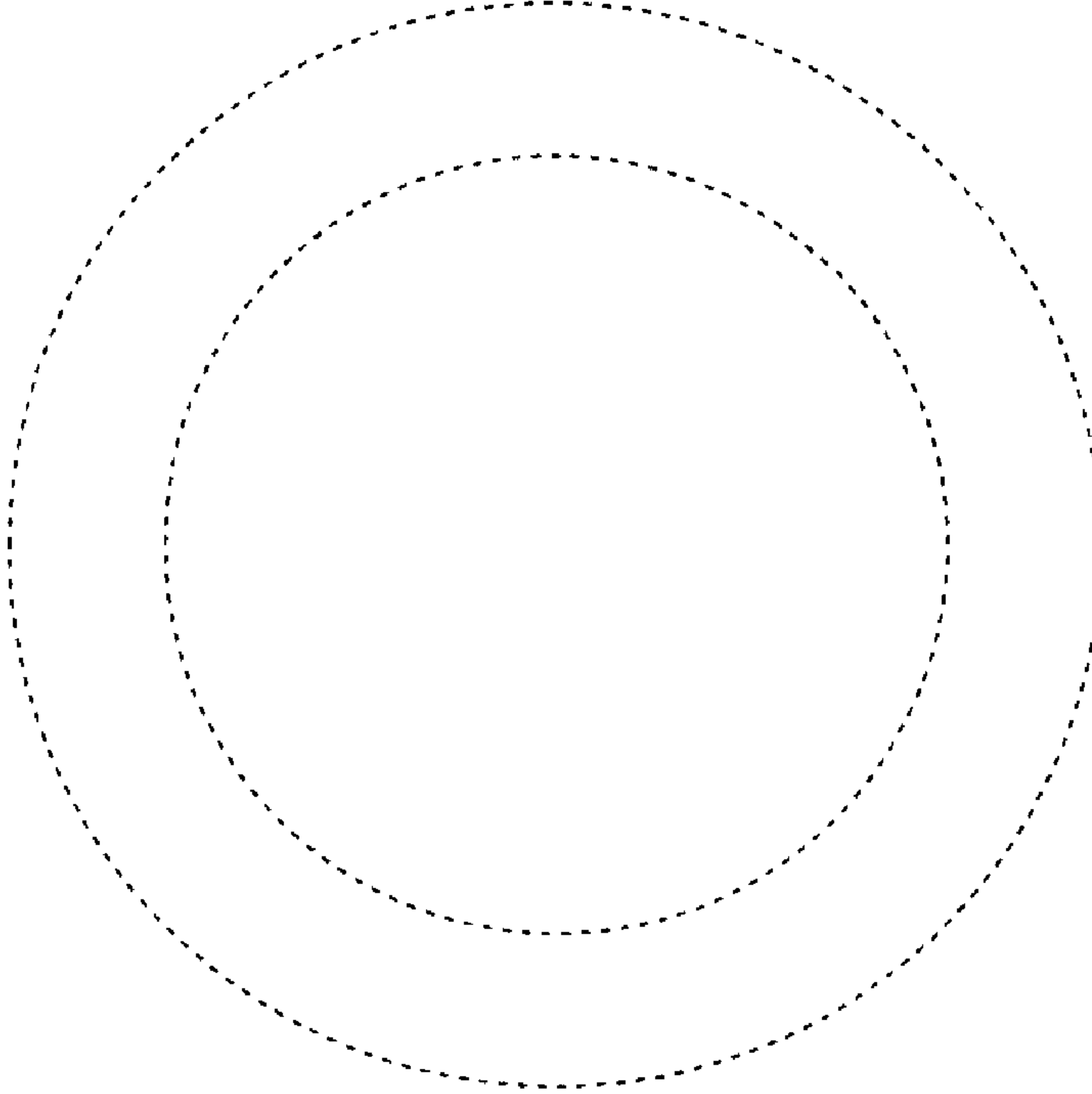


FIG. 3

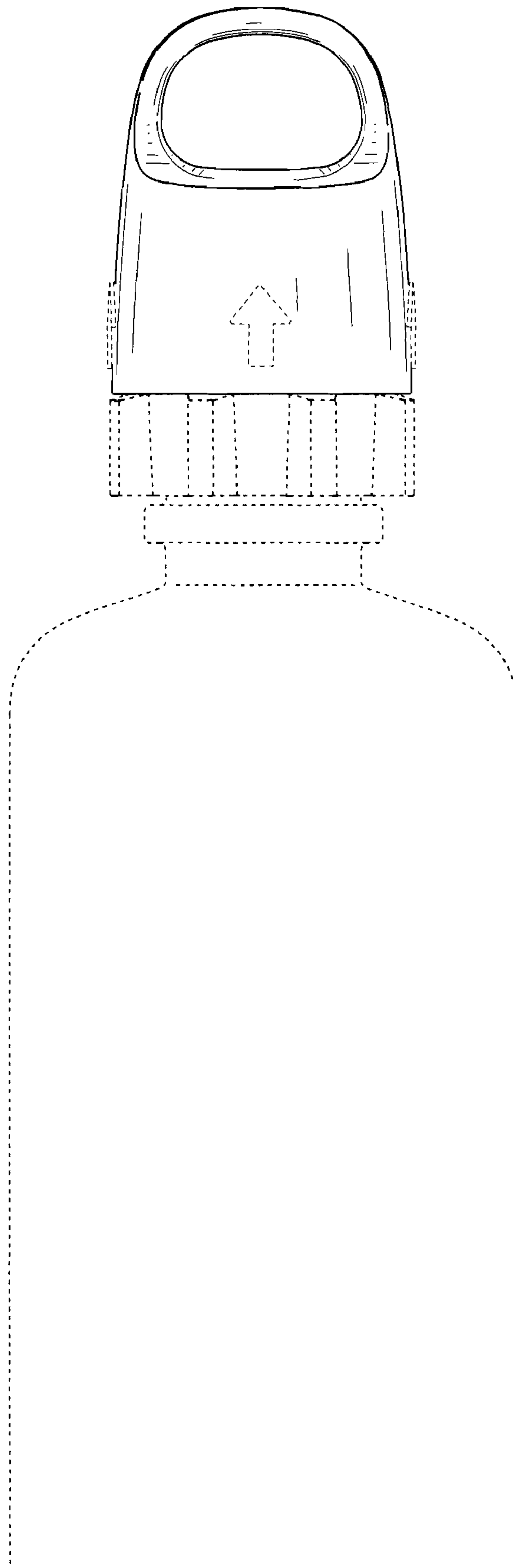


FIG. 4

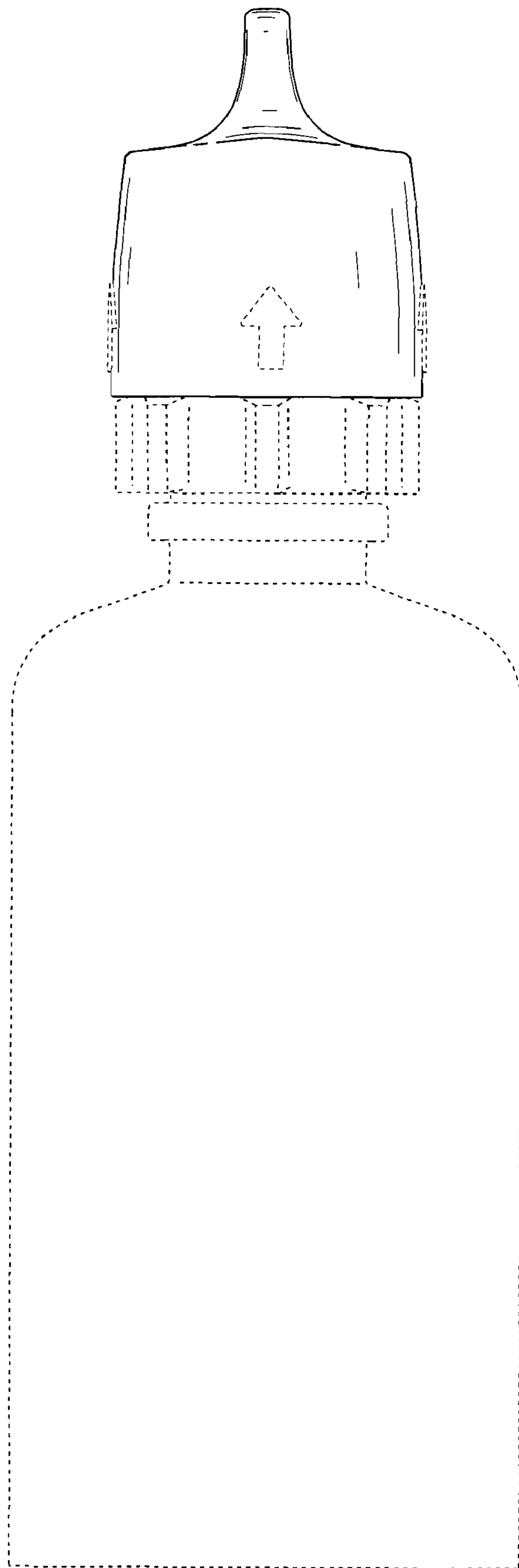


FIG. 5