



US00D572582S

(12) **United States Design Patent**  
**Lymn et al.**

(10) **Patent No.:** **US D572,582 S**  
(45) **Date of Patent:** **\*\* Jul. 8, 2008**

(54) **PACKAGE FOR FOOD PRODUCTS**

(75) Inventors: **Kim Lymn**, Long Lake, MN (US); **Cari Tully**, Minneapolis, MN (US); **Brendan Dillon**, Minneapolis, MN (US); **Dana Mattingly**, Minneapolis, MN (US); **Gandhi Sifuentes**, Whittier, CA (US); **Craig Snedden**, Culver City, CA (US)

(73) Assignee: **Target Brands, Inc.**, Minneapolis, MN (US)

(\*\*) Term: **14 Years**

(21) Appl. No.: **29/296,410**

(22) Filed: **Oct. 19, 2007**

(51) **LOC (8) Cl.** ..... **09-03**

(52) **U.S. Cl.** ..... **D9/426**

(58) **Field of Classification Search** ..... D9/414-418, D9/420-426, 430-432, 761, 737, 757; D7/357, D7/629, 602, 553.1-553.8, 538; 206/521.1, 206/564, 541, 546; 220/23.8, 23.83, 315, 220/324, 326, 367, 556, 4.21, 4.23, 835, 220/839; 229/406, 902-904, 906, 407, 110  
See application file for complete search history.

(56) **References Cited**

**U.S. PATENT DOCUMENTS**

D222,828 S	1/1972	Giraudet	.....	D9/757
D230,569 S *	3/1974	Fallowfield	.....	D9/423
D256,097 S *	7/1980	Amberg	.....	D9/423
D262,355 S	12/1981	Oakley	.....	D9/757
D263,798 S *	4/1982	Edwards	.....	D9/426
D278,412 S *	4/1985	Yeung	.....	D9/420
D282,147 S	1/1986	Mangla	.....	D9/757
D282,245 S *	1/1986	Yeung	.....	D9/425
D363,879 S	11/1995	Krupa et al.	.....	D9/423
D376,314 S *	12/1996	Krupa	.....	D9/425
D394,985 S	6/1998	Curtis et al.	.....	D7/538
D407,014 S *	3/1999	McCann	.....	D9/423
D407,015 S *	3/1999	Jones	.....	D9/426
D409,085 S *	5/1999	Wyslotsky et al.	.....	D9/425
D411,448 S	6/1999	Baker	.....	D9/415

D446,450 S *	8/2001	Zettle et al.	.....	D9/425
D512,305 S *	12/2005	Ramirez et al.	.....	D9/425
D514,452 S	2/2006	Enriquez	.....	D9/758
D531,894 S *	11/2006	Ramirez et al.	.....	D9/423
D557,601 S *	12/2007	Minidis et al.	.....	D9/425
2004/0007583 A1	1/2004	Lin	.....	220/835

**OTHER PUBLICATIONS**

The Brenmar Company, Inc., Hinged Cupcake/Muffin Containers, <http://www.brenmarco.com/supermarket/SUPERMARKET%20LARGE%20PAGES/cupcakecont.html>, Jan. 31, 2008, 3 pages.

Plastic Container City, Hinged Plastic Containers, [http://www.plasticcontainercity.com/Hinged\\_Plastic\\_Containers-Produced.html](http://www.plasticcontainercity.com/Hinged_Plastic_Containers-Produced.html), Jan. 31, 2008, 5 pages.

Country Clean Paper Supplies, <http://www.wesellcoffee.com/page72.html>, Jan. 31, 2008, 11 pages.

CM Packaging, [http://www.cmpackaging.com/ProductCart/pc/viewCat\\_g.asp?idCategory=63](http://www.cmpackaging.com/ProductCart/pc/viewCat_g.asp?idCategory=63), Jan. 31, 2008, 1 page.

(Continued)

*Primary Examiner*—Robert M. Spear

*Assistant Examiner*—Susan E Krakower

(74) *Attorney, Agent, or Firm*—Theodore M Magee; Westman, Champlin & Kelly, P.A.

(57) **CLAIM**

The ornamental design for a package for food products, as shown and described.

**DESCRIPTION**

FIG. 1 is a top left front perspective view of the package for food products.

FIG. 2 is a left side view of the package for food products.

FIG. 3 is a right side view of the package for food products.

FIG. 4 is a front view of the package for food products.

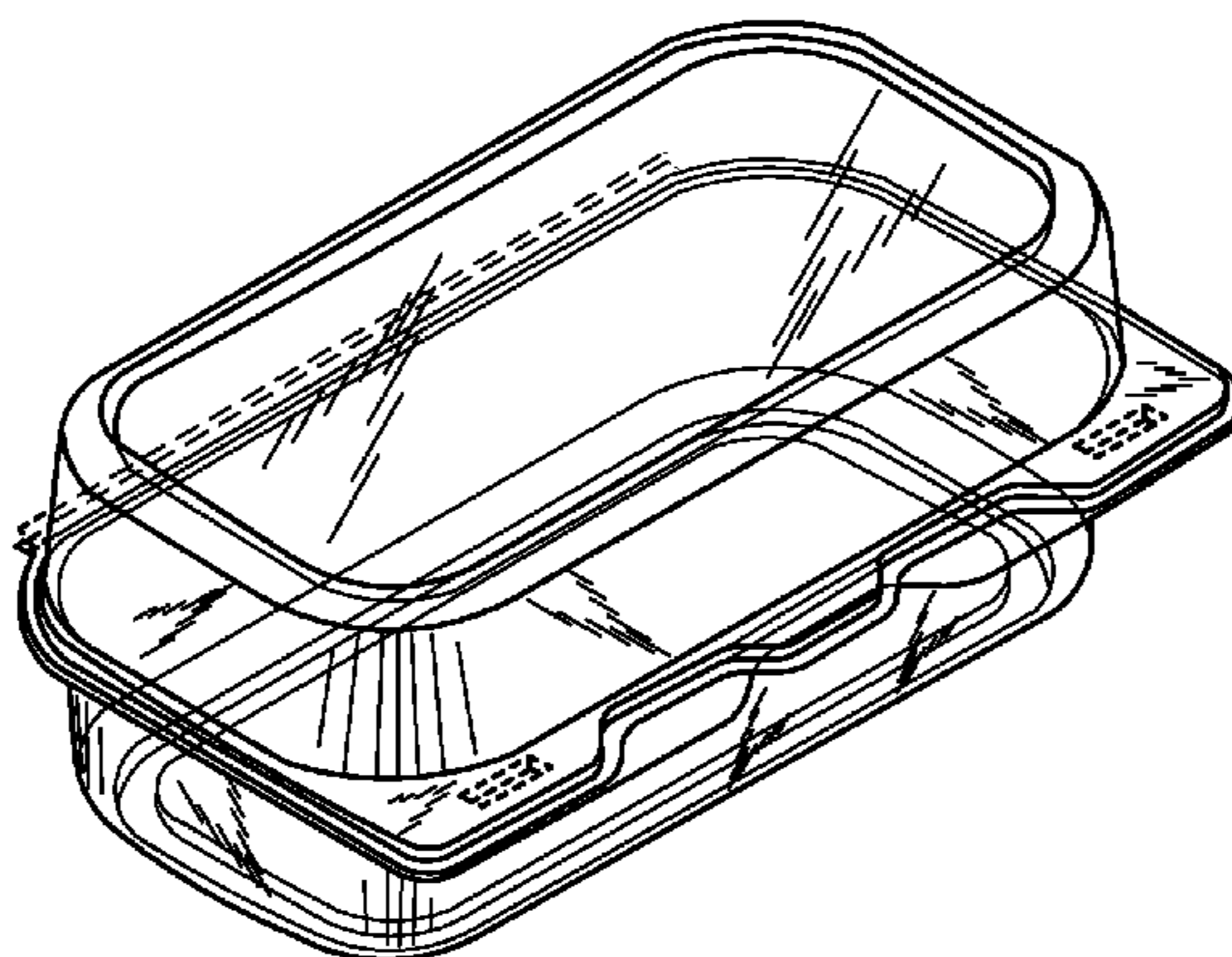
FIG. 5 is a back view of the package for food products.

FIG. 6 is a top view of the package for food products; and,

FIG. 7 is a bottom view of the package for food products.

The broken lines show environmental subject matter and form no part of the claimed design.

**1 Claim, 7 Drawing Sheets**



OTHER PUBLICATIONS

CM Packaging, [http://www.cmpackaging.com/ProductCart/pc/viewCat\\_h.asp?idCategory=59](http://www.cmpackaging.com/ProductCart/pc/viewCat_h.asp?idCategory=59), Jan. 31, 2008, 4 pages.

Genpak, Clear Hinged Baery Containers, <http://www.genpak.com/cfm/containersbycategory.cfm?catid=71>, Jan. 31, 2008, 3 pages.

ReStockIt.com, Black Plastic Hinged Lid Hoagie Container, [http://www.restockit.com/Black-Plastic-Hinged-Lid-Hoagie-Container-8-\(REY12481\).html](http://www.restockit.com/Black-Plastic-Hinged-Lid-Hoagie-Container-8-(REY12481).html), Jan. 31, 2008, 7 pages.

ReStockIt.com, Plastic Hinged Lid Containers, <http://www.restockit.com/Plastic-Hinged-Lid-Containers.html>, Jan. 31, 2008, 9 pages.

ReStockIt.com, Clear Plastic Hinged Lid 1 Compartment, [http://www.restockit.com/H-Lik---Plastic---1Comp---Large---Clear---\(C55UT1DART\)---ON-SALE-TODAY!.html](http://www.restockit.com/H-Lik---Plastic---1Comp---Large---Clear---(C55UT1DART)---ON-SALE-TODAY!.html), Jan. 31, 2008, 7 pages.

The Brenmar Company, Inc., Hinged Cupcake/Muffin Containers, <http://www.brenmarco.com/supermarket/SUPERMARKET%20LARGE%20PAGES/cupcakecont.html>, Jan. 31, 2008, 3 pages.

Plastic Container City, Hinged Plastic Containers, [http://www.plasticcontainercity.com/Hinged\\_Plastic\\_Containers-Produce.html](http://www.plasticcontainercity.com/Hinged_Plastic_Containers-Produce.html), Jan. 31, 2008, 5 pages.

Country Clean Paper Supplies, <http://www.wesellcoffee.com/page72.html>, Jan. 31, 2008, 11 pages.

CM Packaging, [http://www.cmpackaging.com/ProductCart/pc/viewCat\\_g.asp?idCategory=63](http://www.cmpackaging.com/ProductCart/pc/viewCat_g.asp?idCategory=63), Jan. 31, 2008, 1 page.

CM Packaging, [http://www.cmpackaging.com/ProductCart/pc/viewCat\\_h.asp?idCategory=59](http://www.cmpackaging.com/ProductCart/pc/viewCat_h.asp?idCategory=59), Jan. 31, 2008, 4 pages.

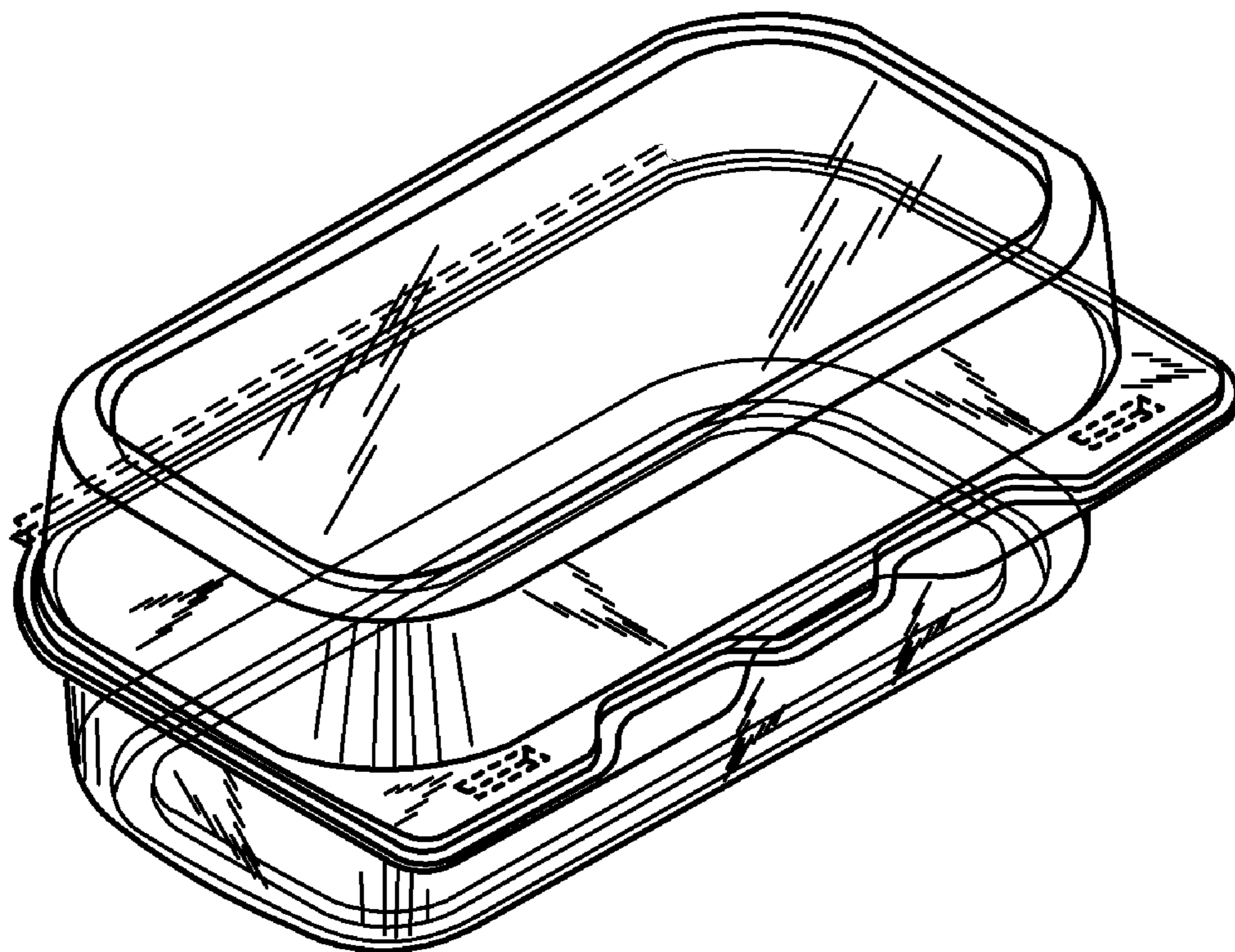
Genpak, Clear Hinged Baery Containers, <http://www.genpak.com/cfm/containersbycategory.cfm?catid=71>, Jan. 31, 2008, 3 pages.

ReStockIt.com, Black Plastic Hinged Lid Hoagie Container, [http://www.restockit.com/Black-Plastic-Hinged-Lid-Hoagie-Container-8-\(REY12481\).html](http://www.restockit.com/Black-Plastic-Hinged-Lid-Hoagie-Container-8-(REY12481).html), Jan. 31, 2008, 7 pages.

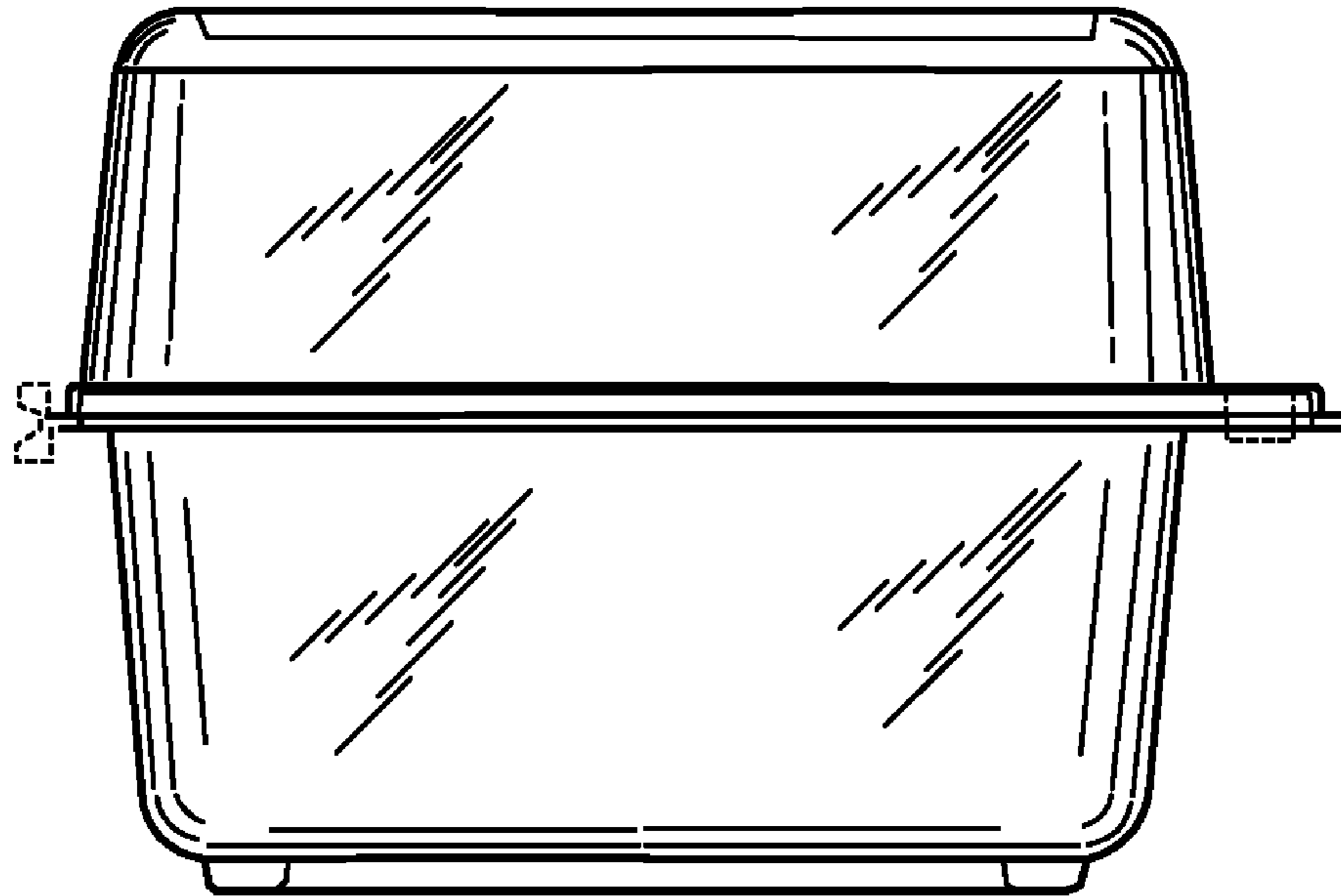
ReStockIt.com, Plastic Hinged Lid Containers, <http://www.restockit.com/Plastic-Hinged-Lid-Containers.html>, Jan. 31, 2008, 9 pages.

ReStockIt.com, Clear Plastic Hinged Lid 1 Compartment, [http://www.restockit.com/H-Lik---Plastic---1Comp---Large---Clear---\(C55UT1DART\)---ON-SALE-TODAY!.html](http://www.restockit.com/H-Lik---Plastic---1Comp---Large---Clear---(C55UT1DART)---ON-SALE-TODAY!.html), Jan. 31, 2008, 7 pages.

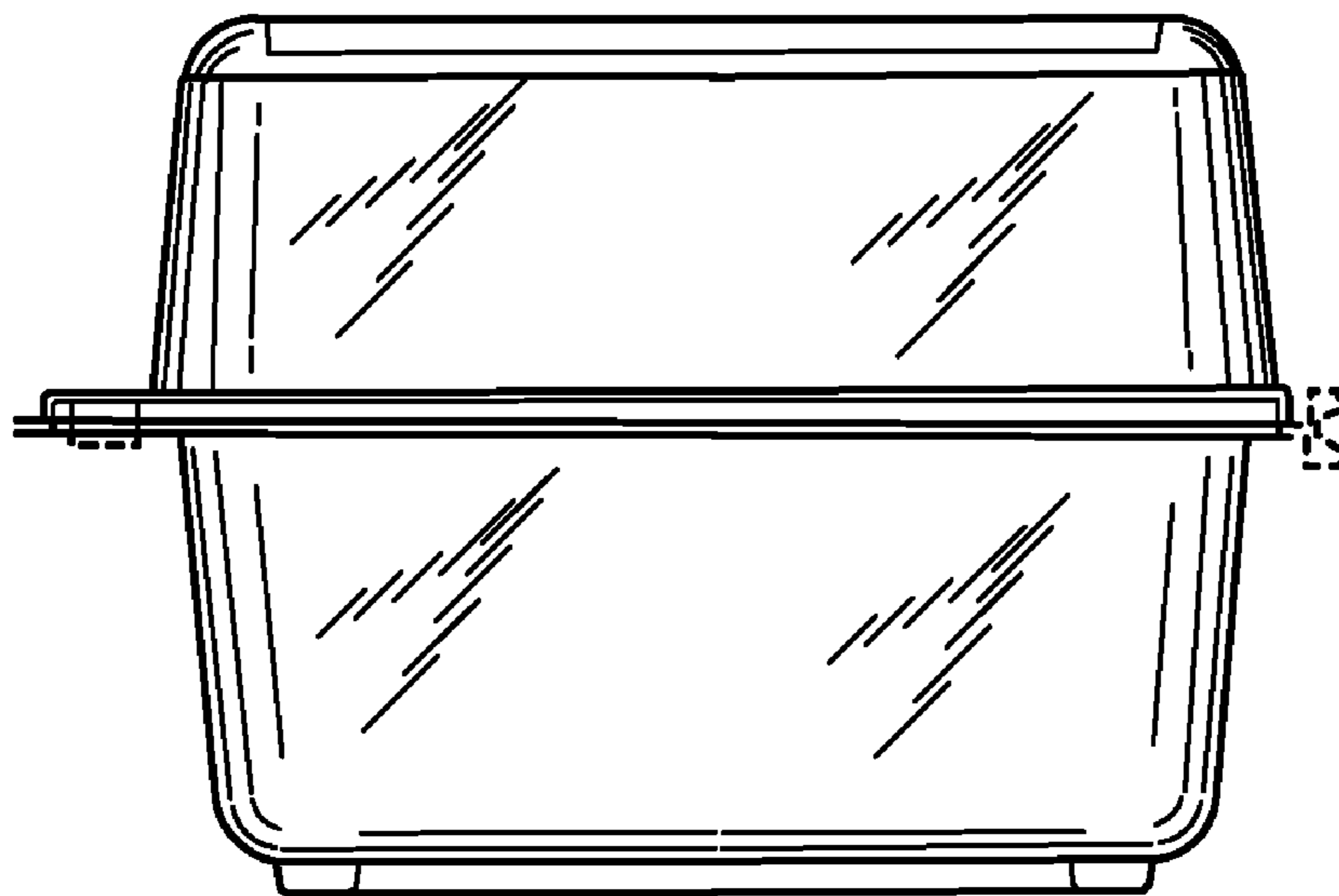
\* cited by examiner



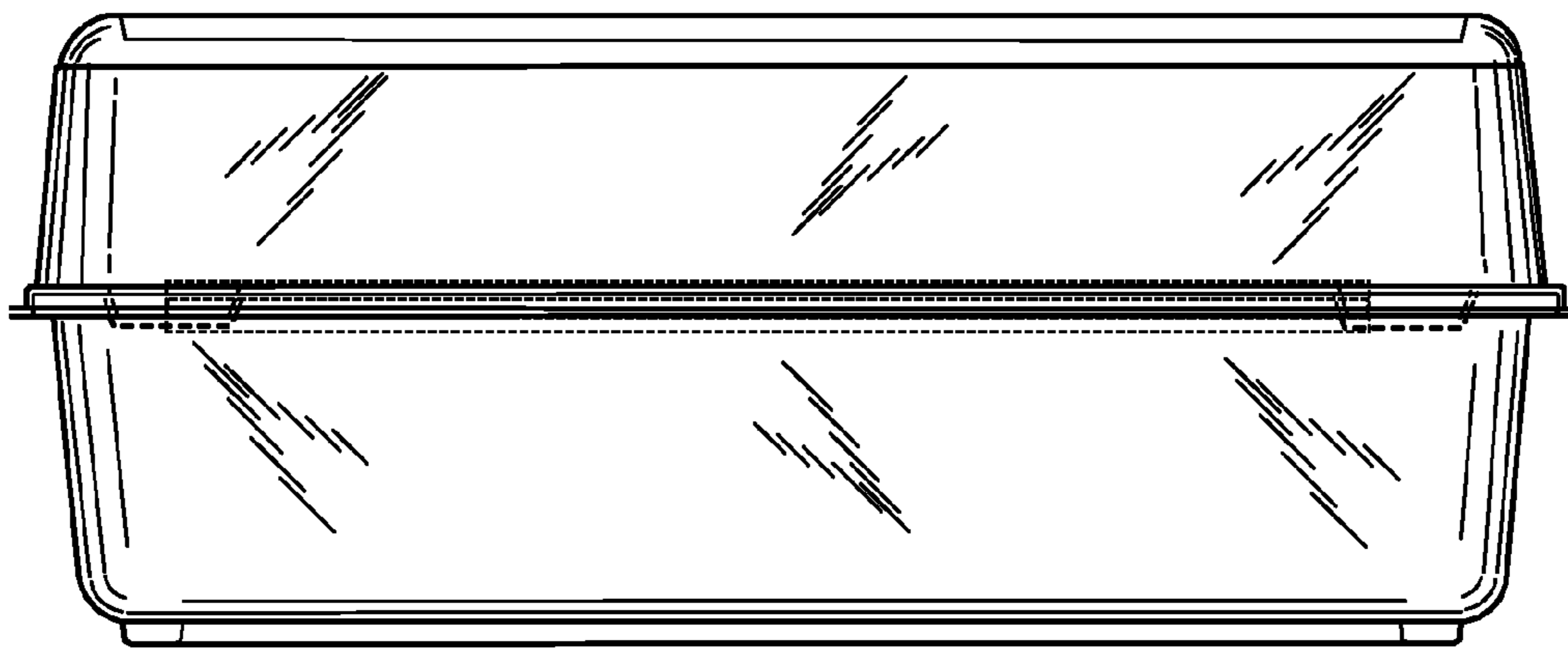
*FIG. 1*



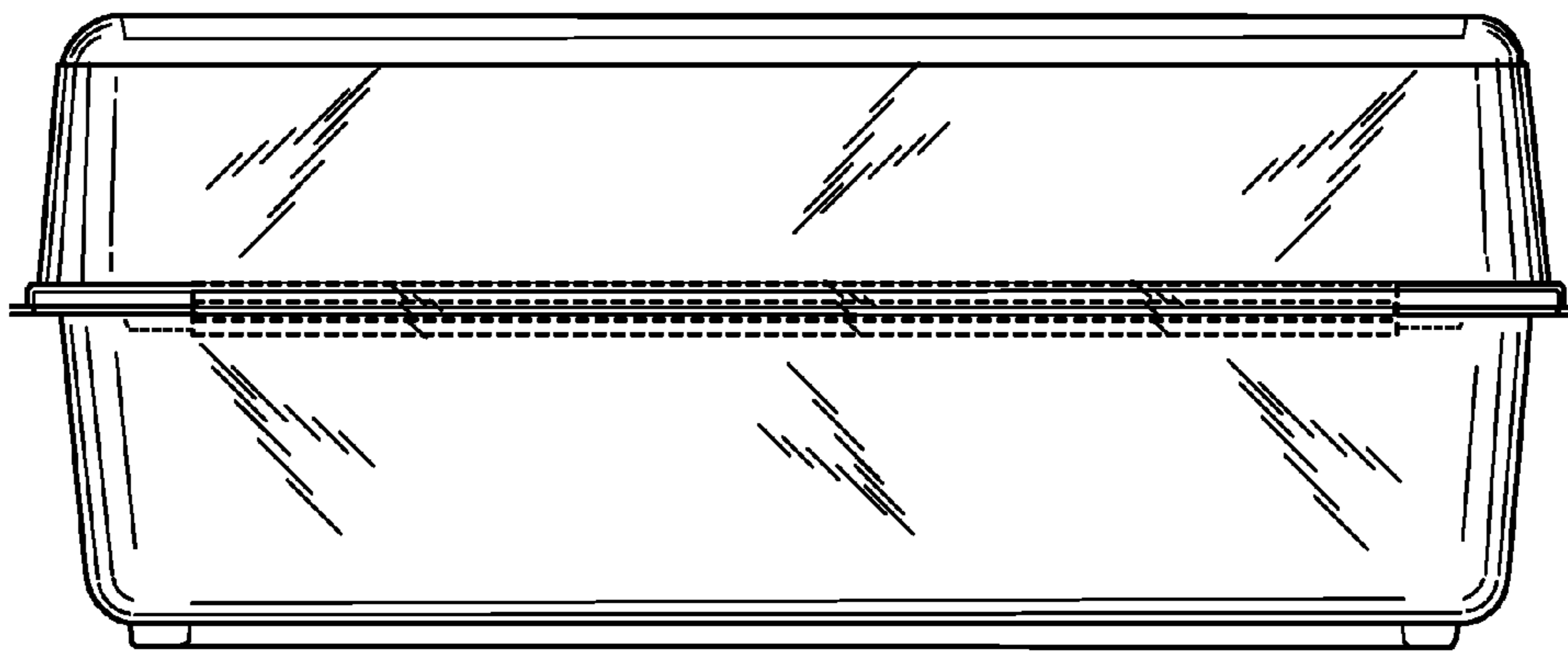
*FIG. 2*



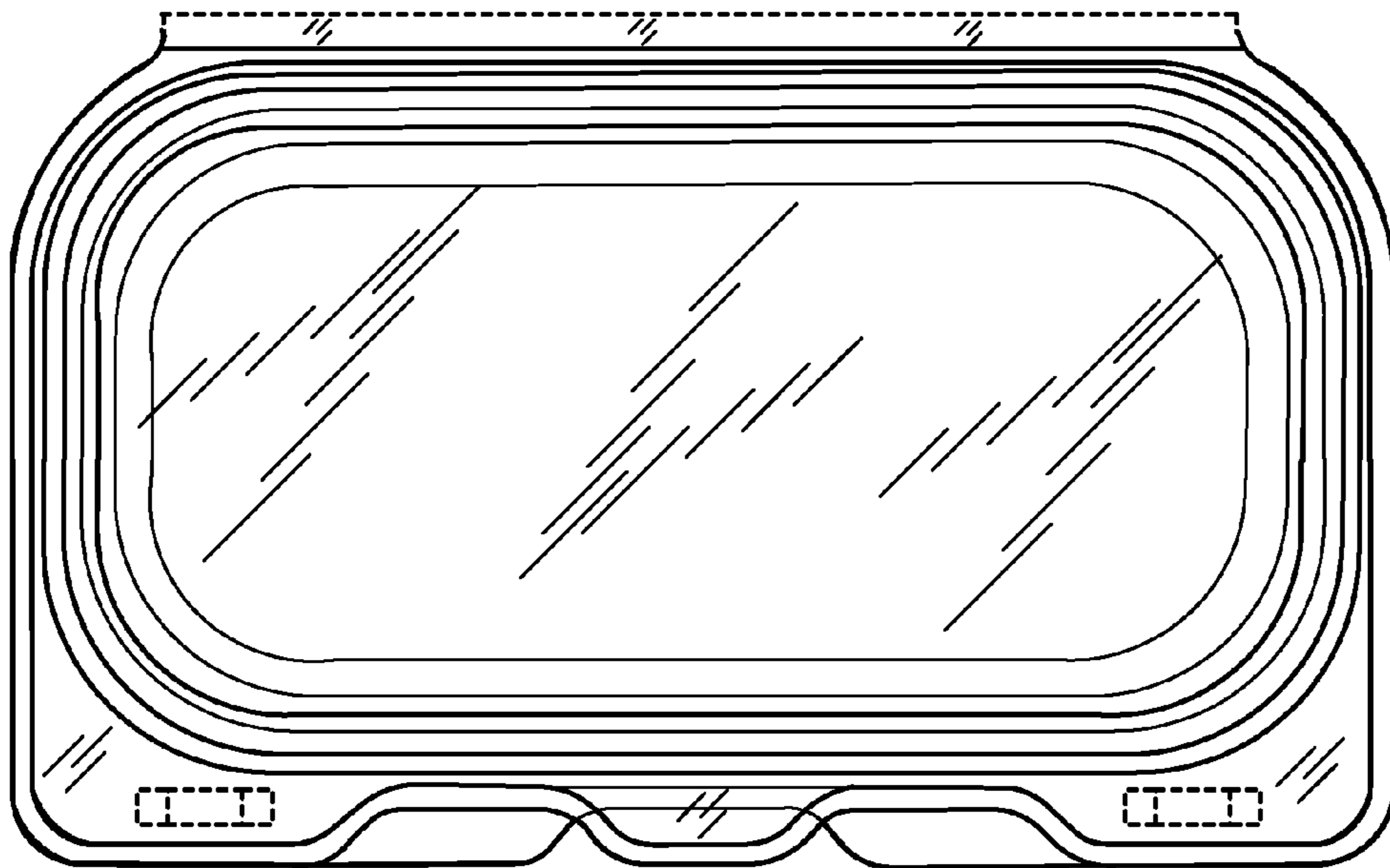
*FIG. 3*



*FIG. 4*



*FIG. 5*



*FIG. 6*



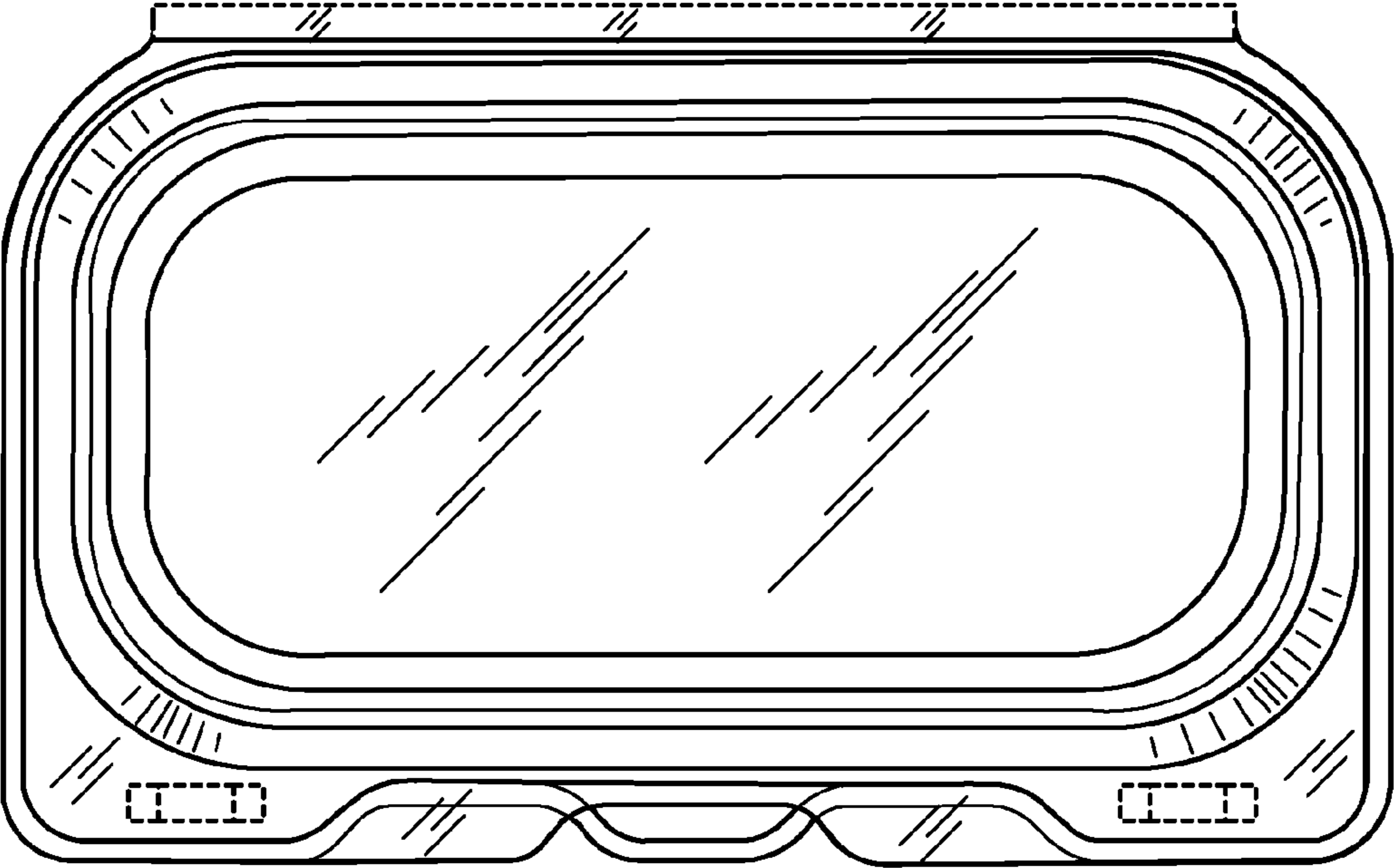


FIG. 7