



US00D572578S

(12) **United States Design Patent**
Sato et al.

(10) **Patent No.:** **US D572,578 S**
(45) **Date of Patent:** **** Jul. 8, 2008**

(54) **ELASTIC MEMBER OF AN ELASTIC COUPLER**

6,682,255 B2 * 1/2004 Battaglia et al. 403/381
D504,809 S * 5/2005 Sato et al. D8/382
D513,471 S * 1/2006 Sato et al. D8/382
7,156,806 B2 * 1/2007 Dobrovolny 600/230

(75) Inventors: **Yoshiyuki Sato**, Tokyo (JP); **Nobushige Fujioka**, Tokyo (JP); **Satoshi Kimura**, Tokyo (JP)

FOREIGN PATENT DOCUMENTS

JP 1059574 10/1999

(73) Assignee: **Miki Pulley Co., Ltd**, Kanagawa (JP)

OTHER PUBLICATIONS

Orim Vexta Kabushiki Kaisha couplings catalog Jul. 2004, Japan.

(**) Term: **14 Years**

* cited by examiner

(21) Appl. No.: **29/262,525**

Primary Examiner—Holly H. Baynham

Assistant Examiner—Sheryl Friedman

(22) Filed: **Jul. 5, 2006**

(74) *Attorney, Agent, or Firm*—Marshall & Melhorn, LLC

(51) **LOC (8) Cl.** **08-08**

(52) **U.S. Cl.** **D8/382**

(58) **Field of Classification Search** D8/382,
D8/383; 403/403, 322.4, 322.1, 217; 464/73,
464/88

(57) **CLAIM**

The ornamental design for an elastic member of an elastic coupler, as shown and described.

See application file for complete search history.

DESCRIPTION

(56) **References Cited**

U.S. PATENT DOCUMENTS

2,034,001 A * 3/1936 Ricefield 464/73
2,984,935 A * 5/1961 Beck 446/114
D227,528 S * 7/1973 Wahl D8/382
4,034,575 A * 7/1977 Barth 464/73
4,094,417 A * 6/1978 Cairnes et al. 211/183
5,027,478 A * 7/1991 Suhr 24/16 R
D372,419 S * 8/1996 Ikegami D8/382
D383,926 S * 9/1997 Spector D6/495
D395,815 S * 7/1998 Walters et al. D8/354
D406,229 S * 3/1999 Lucht D8/382
D481,299 S * 10/2003 Fujioka D8/382

FIG. 1 is a perspective view of an elastic member showing our new design;

FIG. 2 is a front view thereof;

FIG. 3 is a right side view thereof, a left side view being a mirror image thereof;

FIG. 4 is a top view thereof, a bottom view being a mirror image thereof;

FIG. 5 is a back view thereof; and,

FIG. 6 is a cross-sectional view thereof taken along the line VI—VI in FIG. 2.

1 Claim, 3 Drawing Sheets

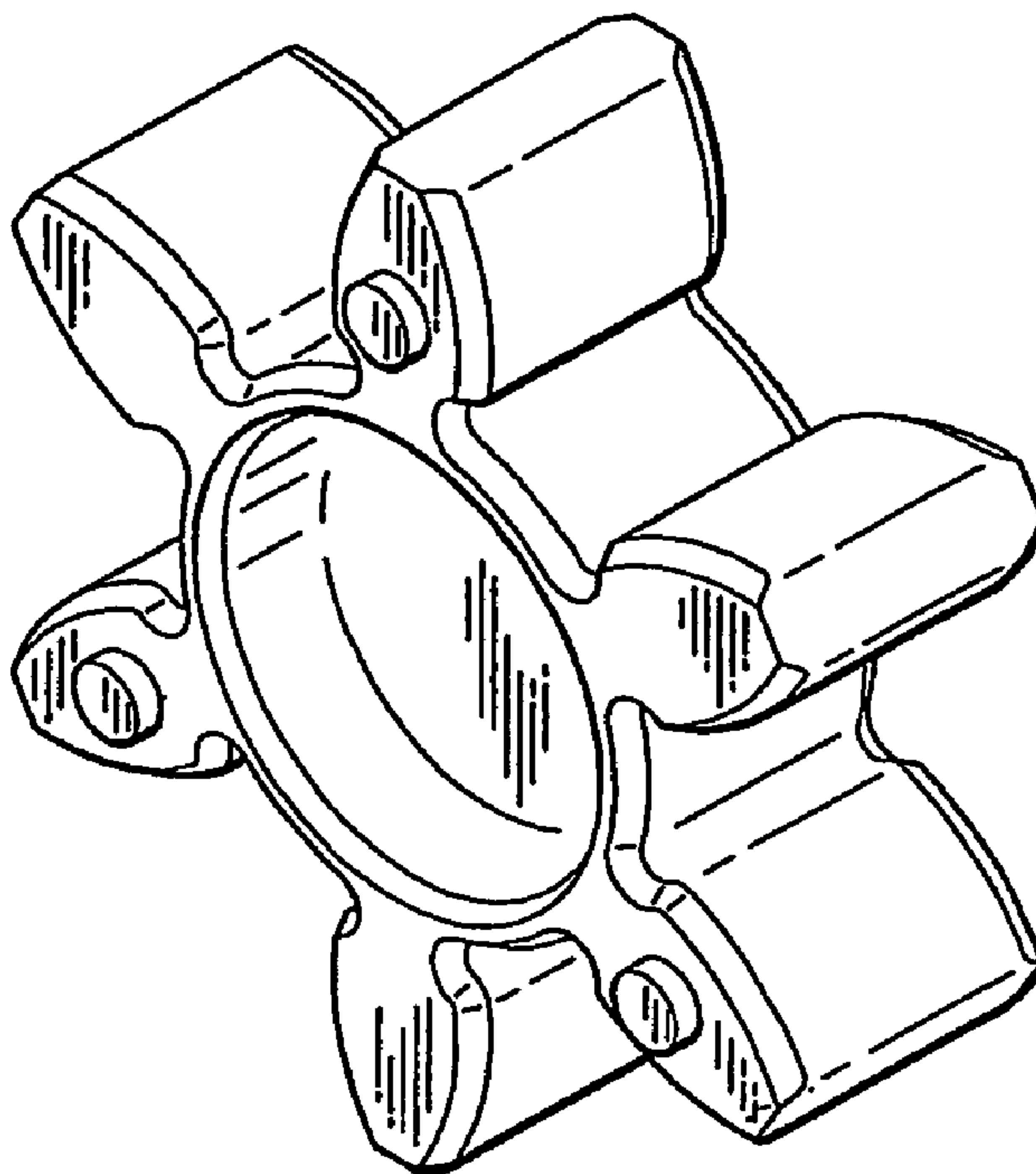


Fig. 1

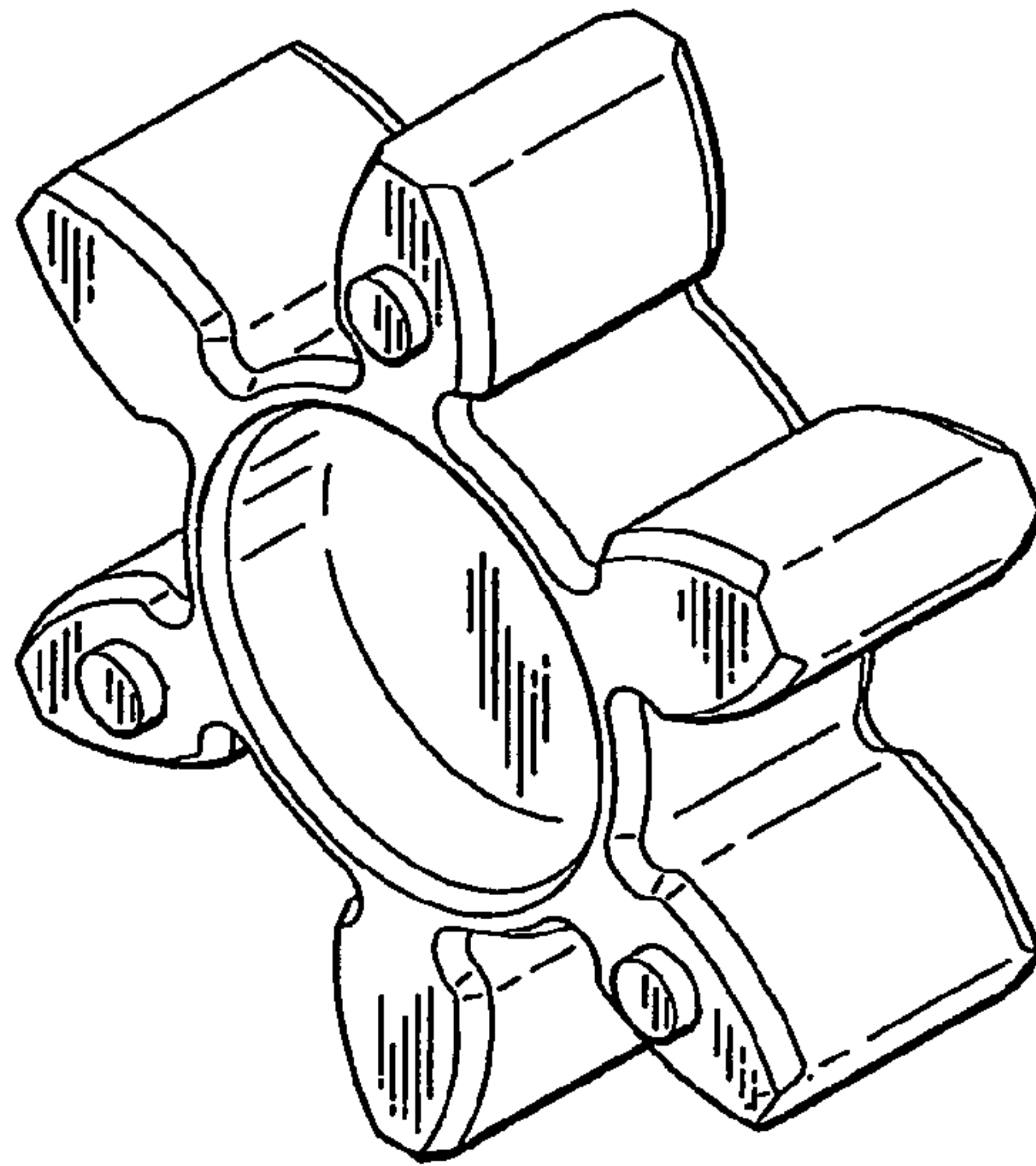


Fig. 2

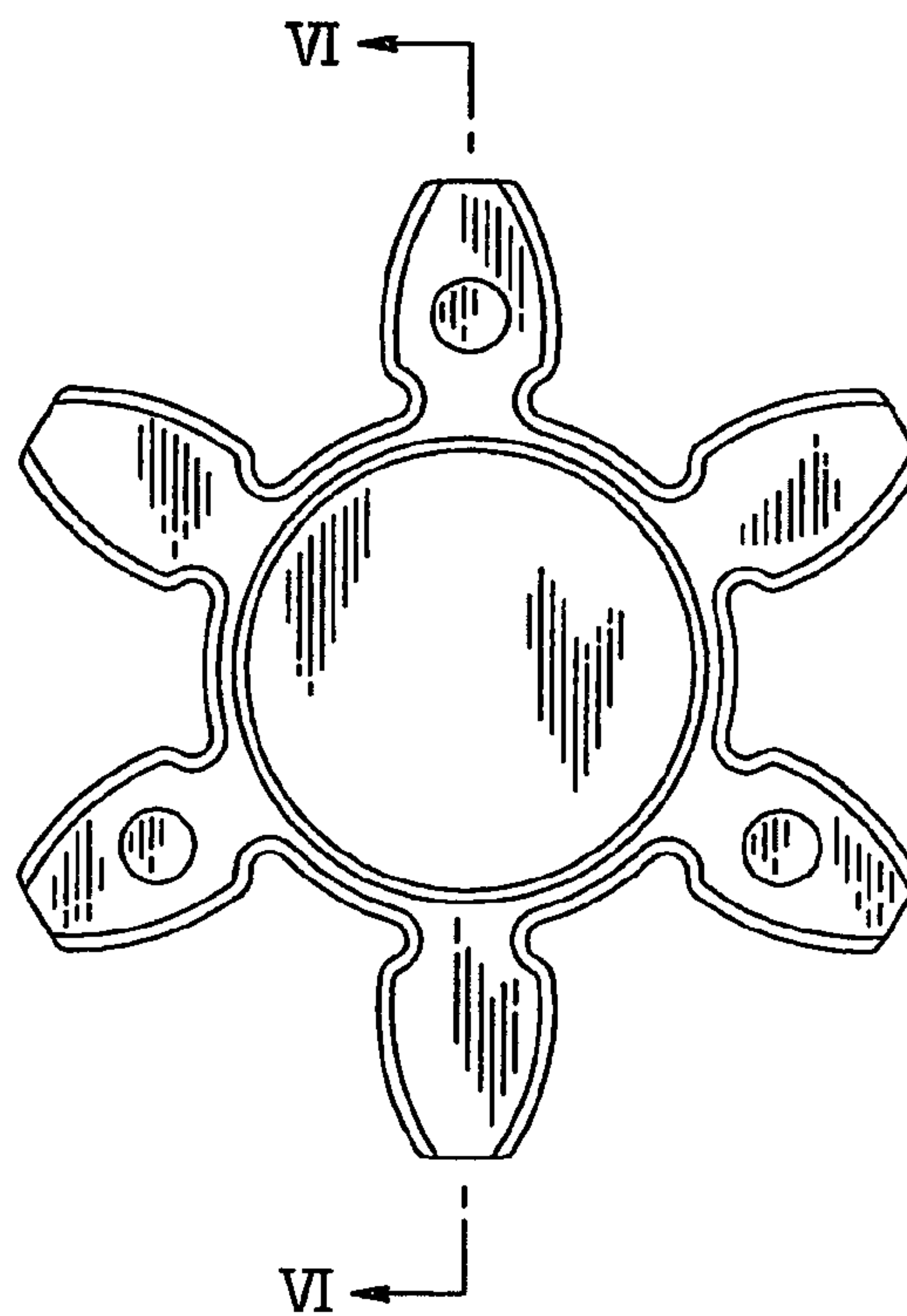


Fig.3

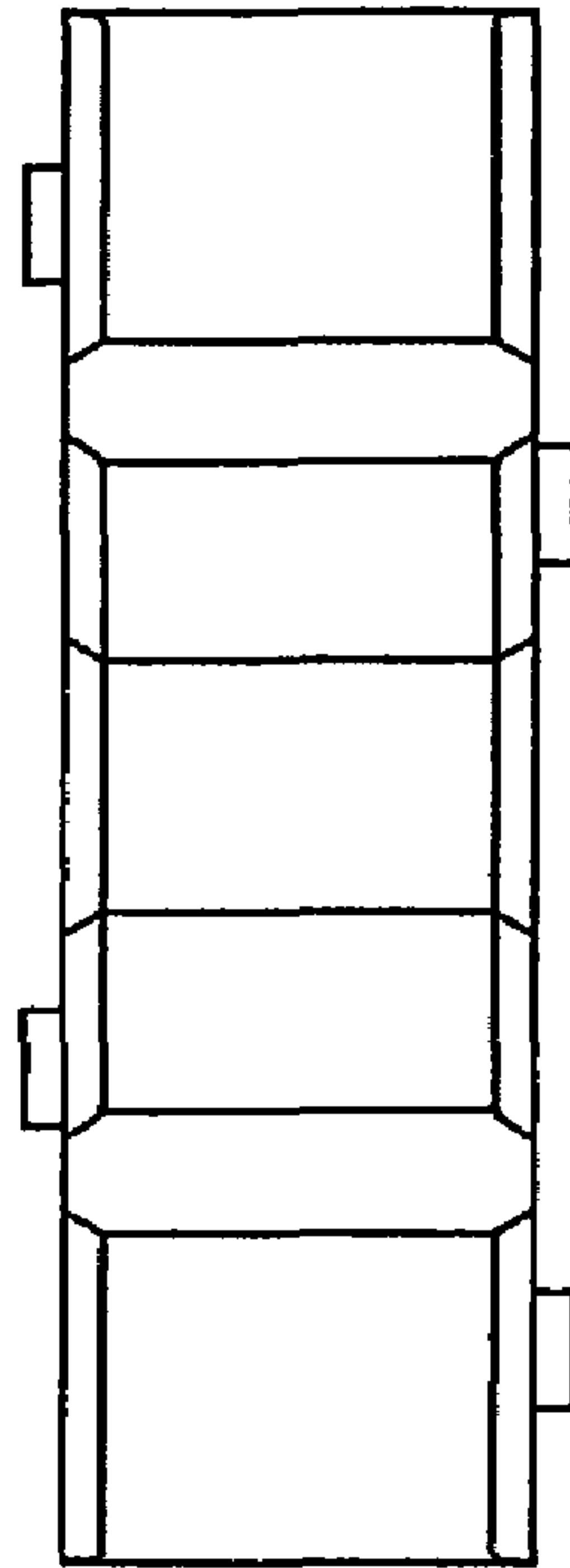


Fig.4

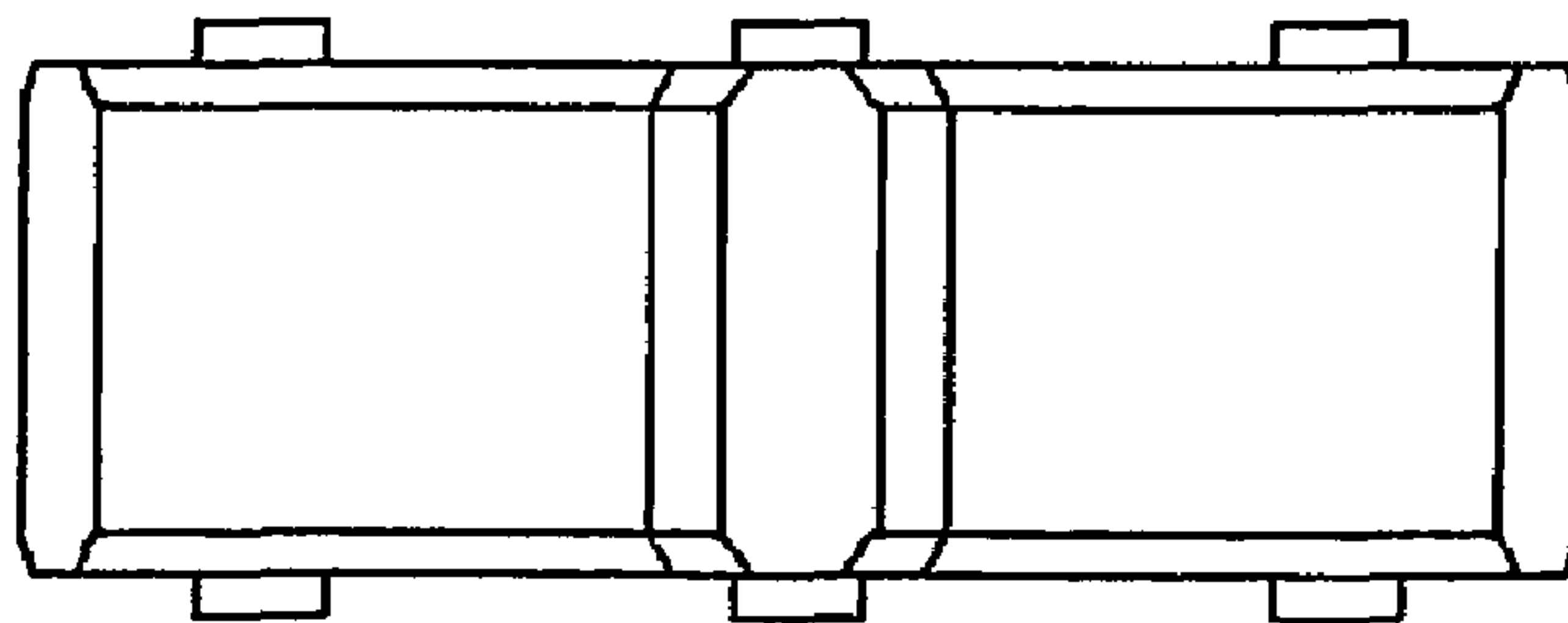


Fig.5

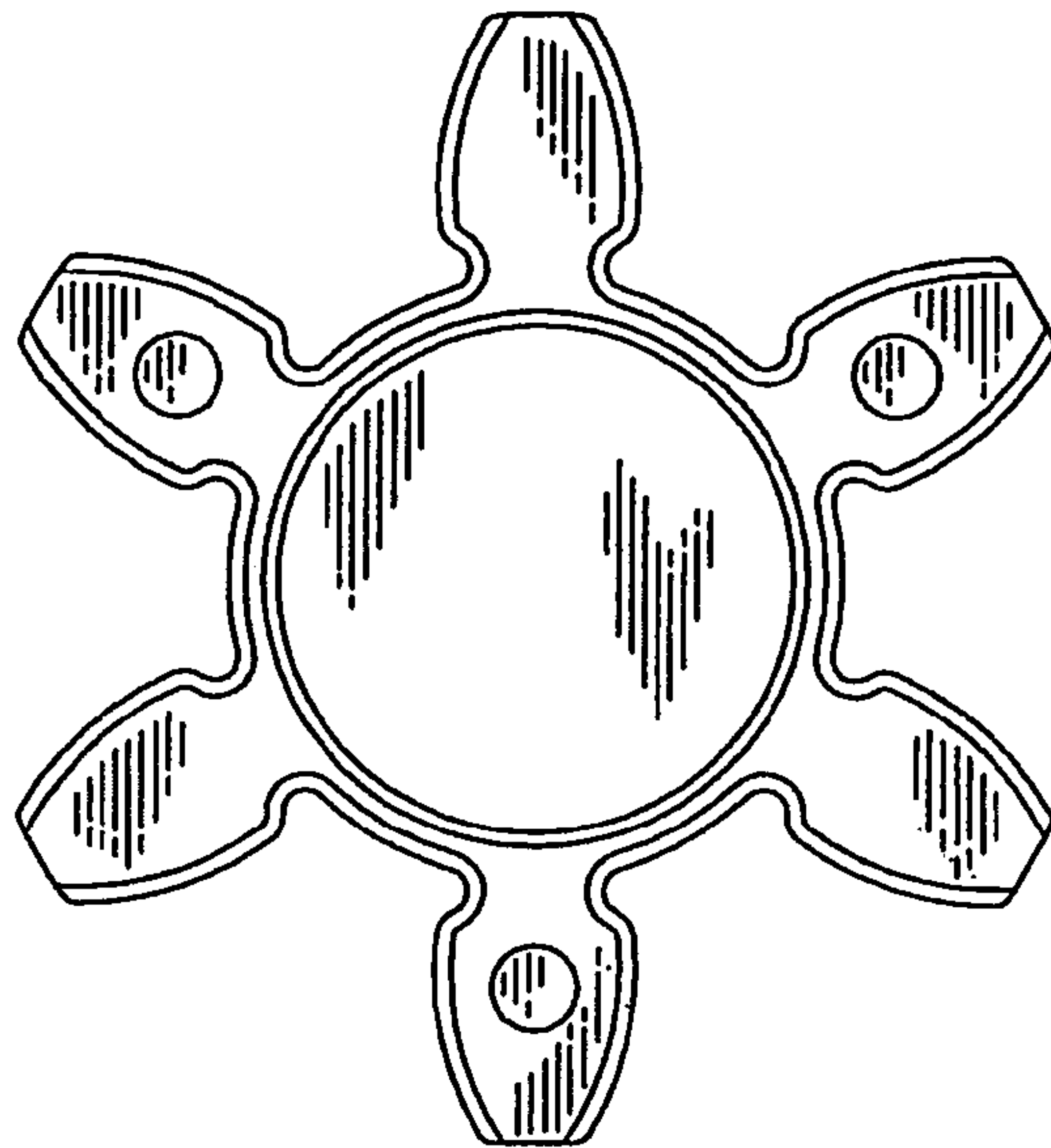


Fig.6

