



US00D572577S

(12) **United States Design Patent**
Hatton

(10) **Patent No.:** **US D572,577 S**
(45) **Date of Patent:** **** Jul. 8, 2008**

(54) **WHEEL HOUSING**

(75) Inventor: **James Hatton**, East Sussex (GB)

(73) Assignee: **Penn Fabrication Limited**, East Sussex (GB)

(**) Term: **14 Years**

(21) Appl. No.: **29/254,280**

(22) Filed: **Feb. 22, 2006**

(30) **Foreign Application Priority Data**

Aug. 22, 2005 (EM) 000433891

(51) **LOC (8) Cl.** **08-05**

(52) **U.S. Cl.** **D8/375**

(58) **Field of Classification Search** D8/375;
D3/318; 190/18 A; 16/45-47, 40, 35 R,
16/35 D, 31 R, 31 A, 29, 18 R, 18 CG
See application file for complete search history.

(56) **References Cited**

U.S. PATENT DOCUMENTS

2,911,666 A * 11/1959 Schultz, Jr. D8/375
D411,041 S * 6/1999 Kinzer et al. D3/318
D421,338 S * 3/2000 Moon D3/318

D430,792 S * 9/2000 Wang D8/375
6,134,748 A * 10/2000 Kuo 16/35 R
D466,797 S * 12/2002 Wu D8/375
D474,024 S * 5/2003 Santy D3/318
D513,560 S * 1/2006 Neumann D3/318
D539,543 S * 4/2007 Wu D3/318

* cited by examiner

Primary Examiner—Gary D. Watson

Assistant Examiner—Susan B Hattan

(74) *Attorney, Agent, or Firm*—Muncy, Geissler, Olds & Lowe, PLLC

(57) **CLAIM**

The ornamental design for a wheel housing, as shown and described.

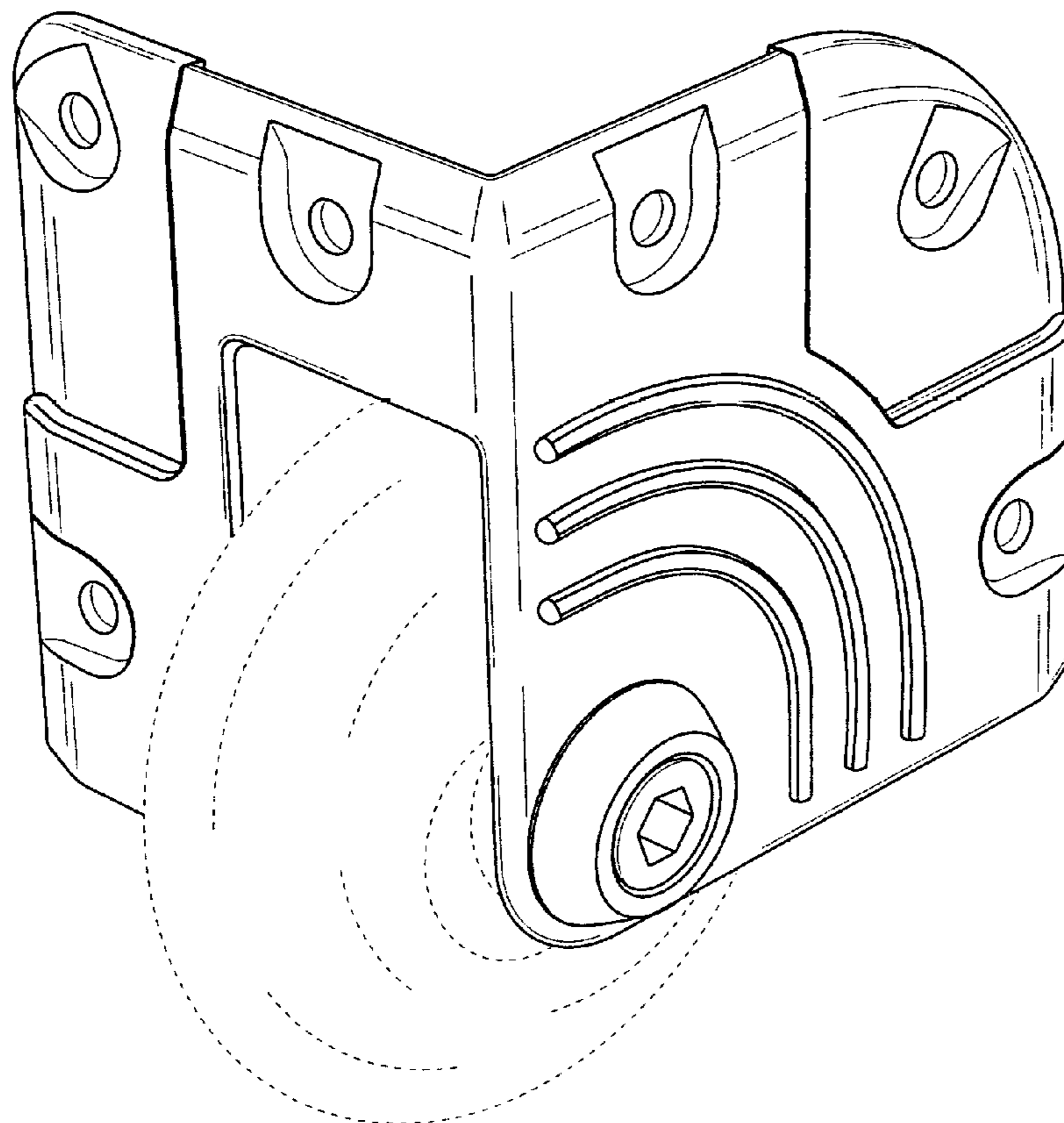
DESCRIPTION

FIG. 1 is a front, left perspective view of a second embodiment of a wheel housing showing my new design, the wheel being shown for environmental purposes only and forming no part of the claimed invention;

FIG. 2 is a front elevational view thereof; and,

FIG. 3 is a left side view thereof, the right side forming no part of the claimed design.

1 Claim, 3 Drawing Sheets



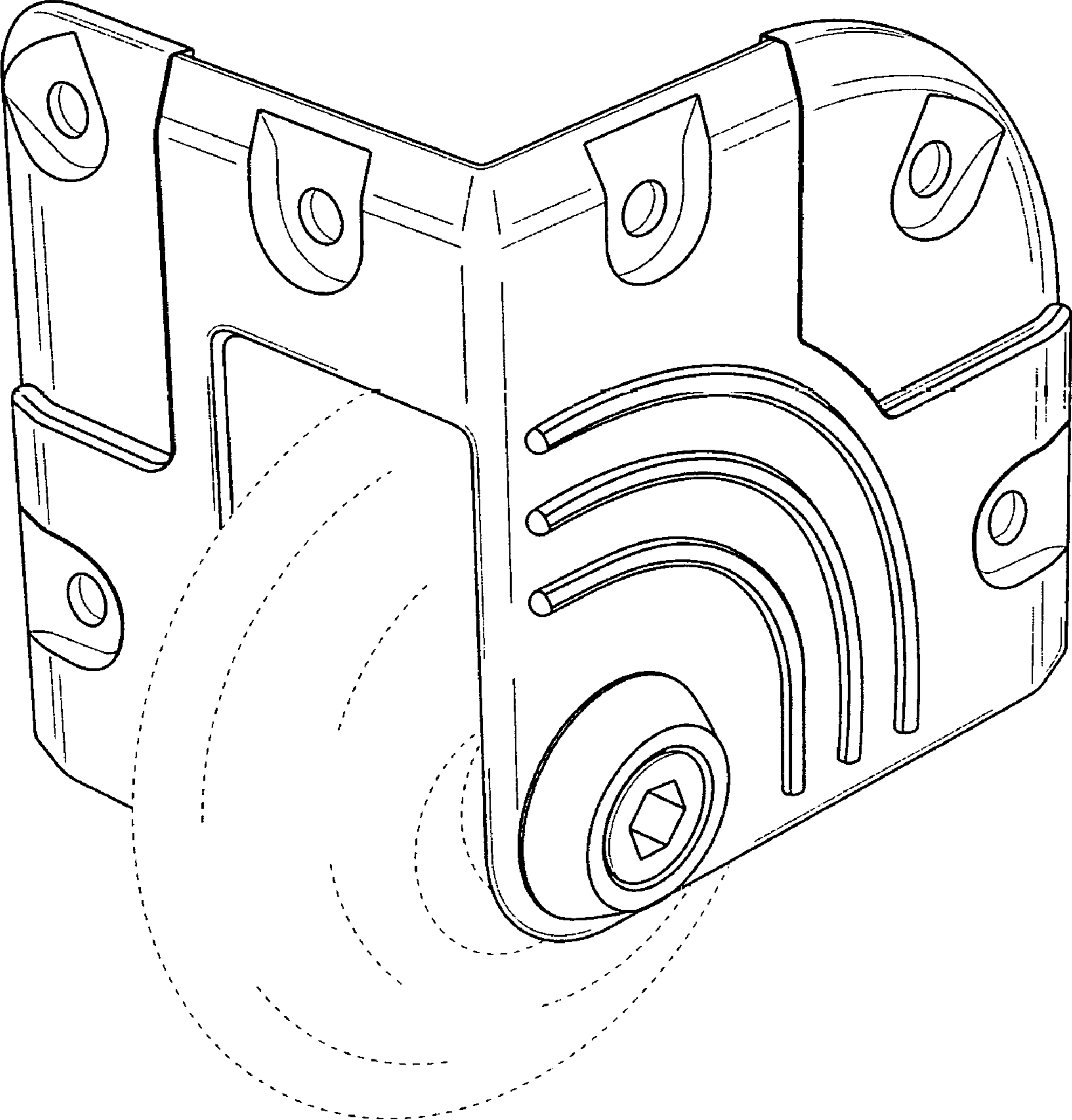


FIG. 1

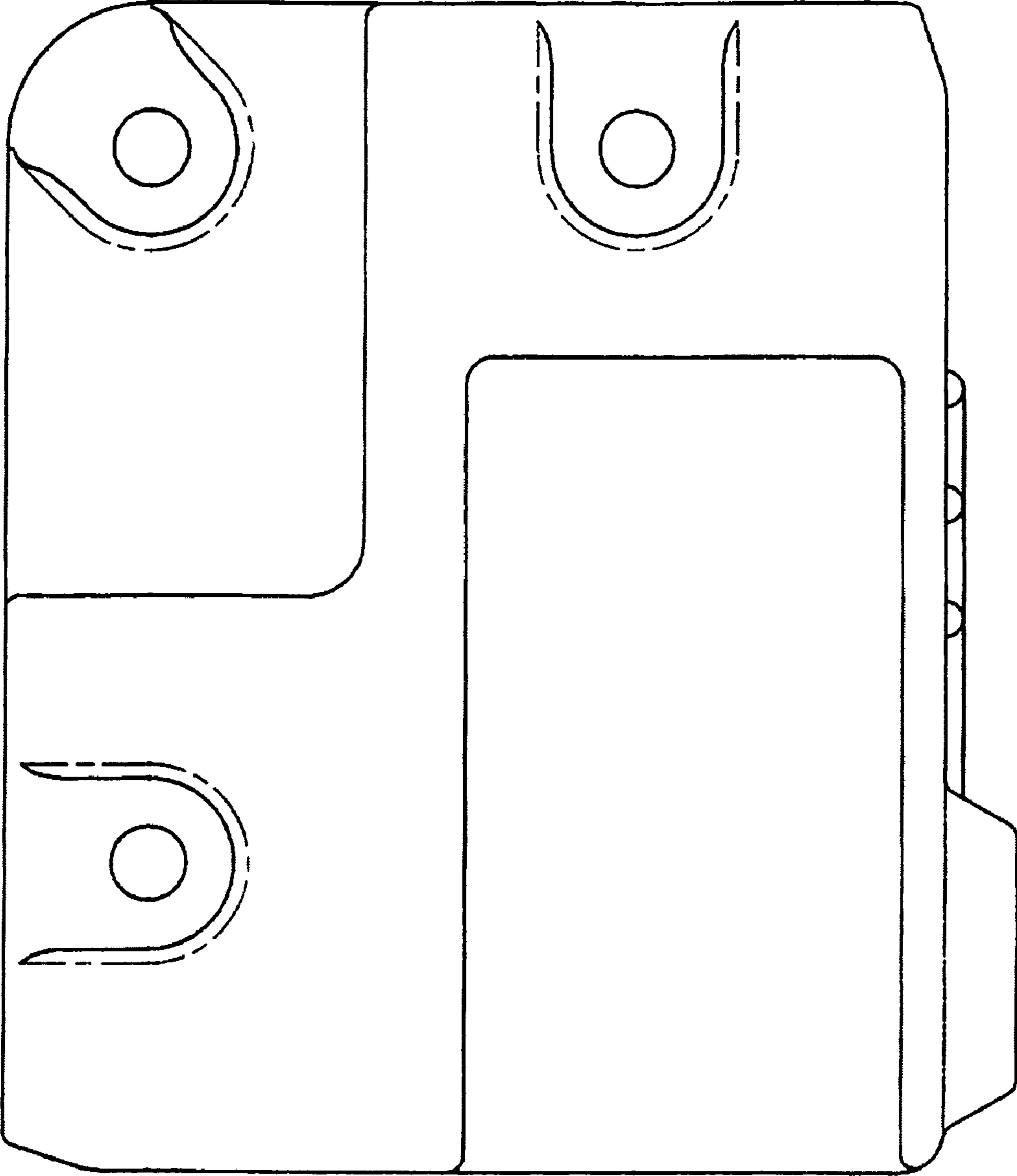


FIG. 2

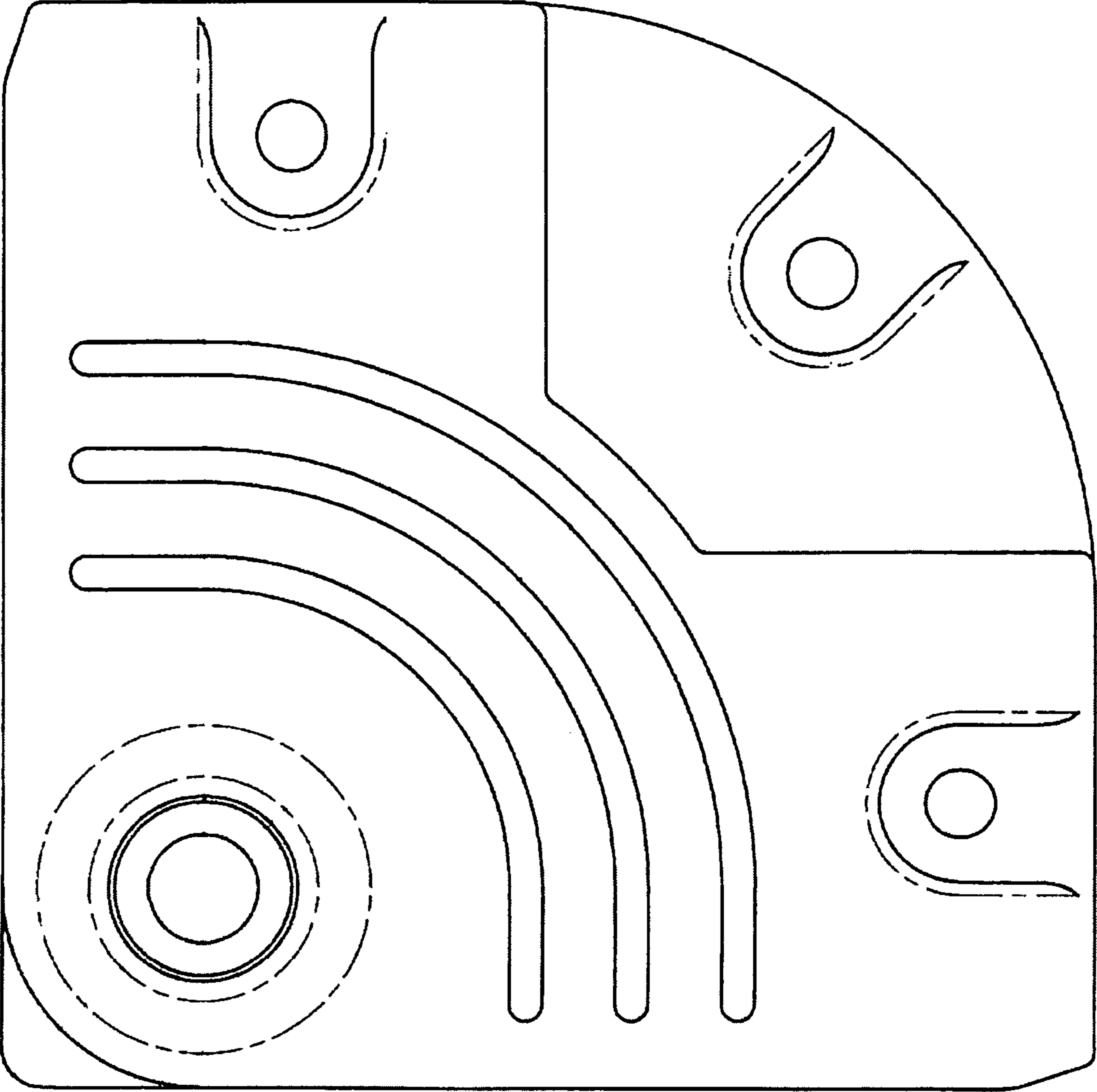


FIG. 3