



US00D572574S

(12) **United States Design Patent**
Lee

(10) **Patent No.:** **US D572,574 S**
(45) **Date of Patent:** **** Jul. 8, 2008**

(54) **HANDRAIL BRACKET**

6,672,552 B1 * 1/2004 Jao 248/251

(75) Inventor: **Chia Ying Lee**, Chicago, IL (US)

* cited by examiner

(73) Assignee: **Liberty Hardware Mfg. Corp.**,
Winston-Salem, NC (US)

Primary Examiner—Holly H Baynham
(74) *Attorney, Agent, or Firm*—Edgar A. Zarins; Lloyd D. Doigan

(**) Term: **14 Years**

(57) **CLAIM**

(21) Appl. No.: **29/286,153**

The ornamental design for a handrail bracket, as shown and described.

(22) Filed: **Apr. 25, 2007**

(51) **LOC (8) Cl.** **08-05**

(52) **U.S. Cl.** **D8/363**

(58) **Field of Classification Search** D8/363,
D8/373, 381; D25/38; 248/217.4, 309.1,
248/251; 256/65.07, 65.16

See application file for complete search history.

DESCRIPTION

FIG. 1 is a perspective view of a handrail bracket showing my new design;

FIG. 2 is a front elevational view thereof;

FIG. 3 is a rear view thereof;

FIG. 4 is a left side view thereof;

FIG. 5 is a right side view thereof;

FIG. 6 is a bottom view thereof; and,

FIG. 7 is a top view thereof.

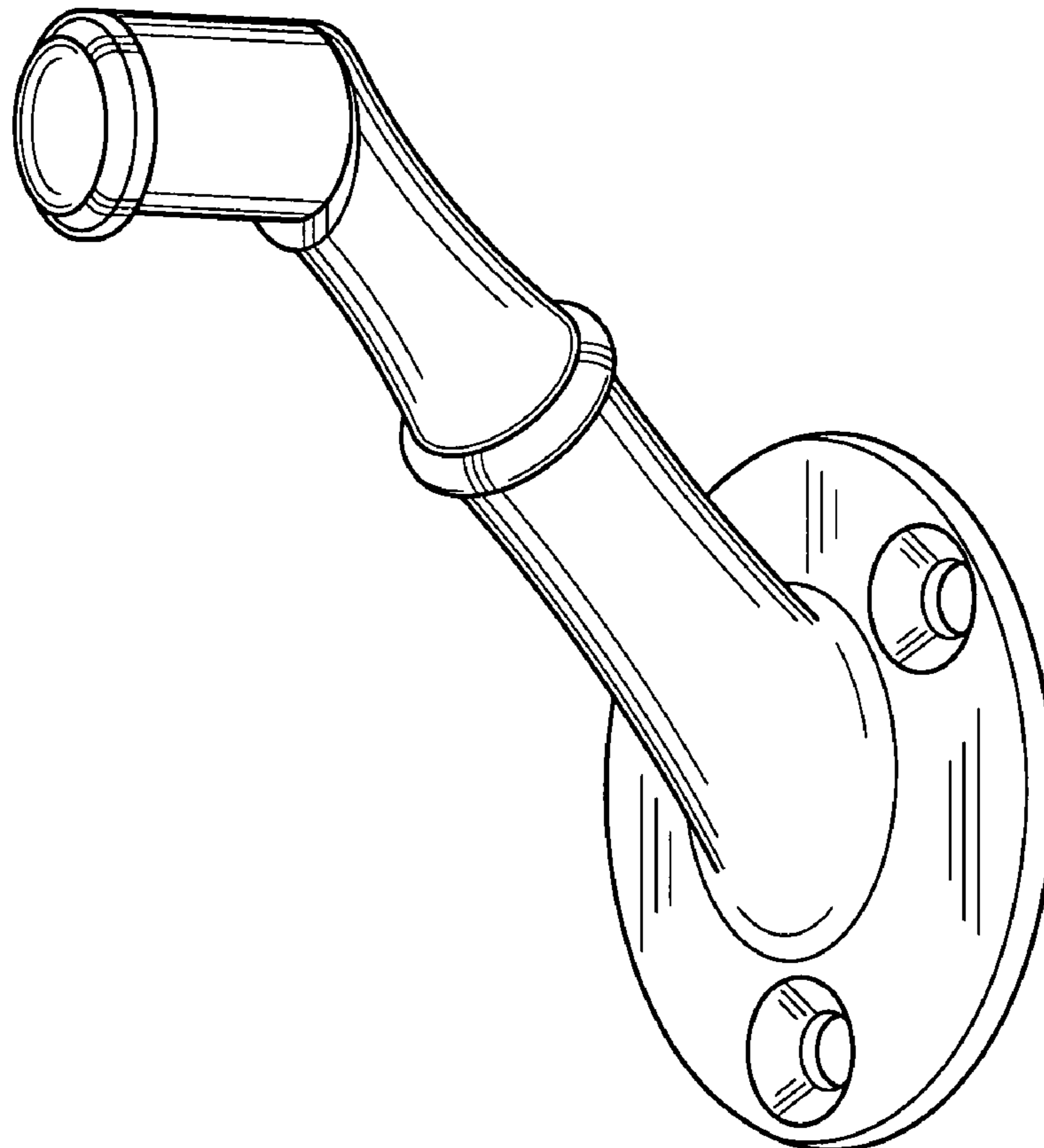
(56) **References Cited**

U.S. PATENT DOCUMENTS

2,903,223 A * 9/1959 De Gray 248/219.3

5,269,488 A * 12/1993 Lach 248/535

1 Claim, 3 Drawing Sheets



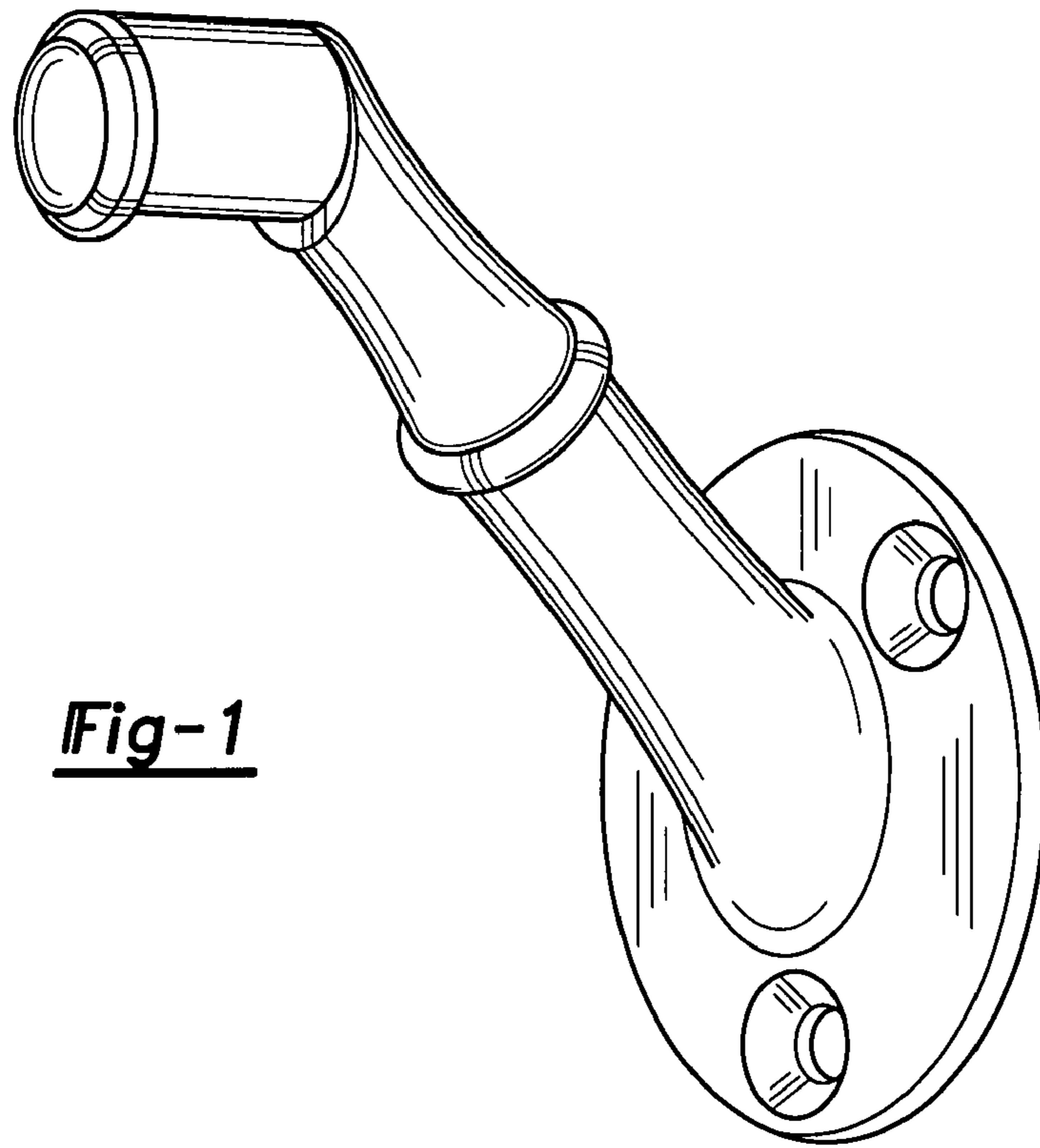


Fig-1

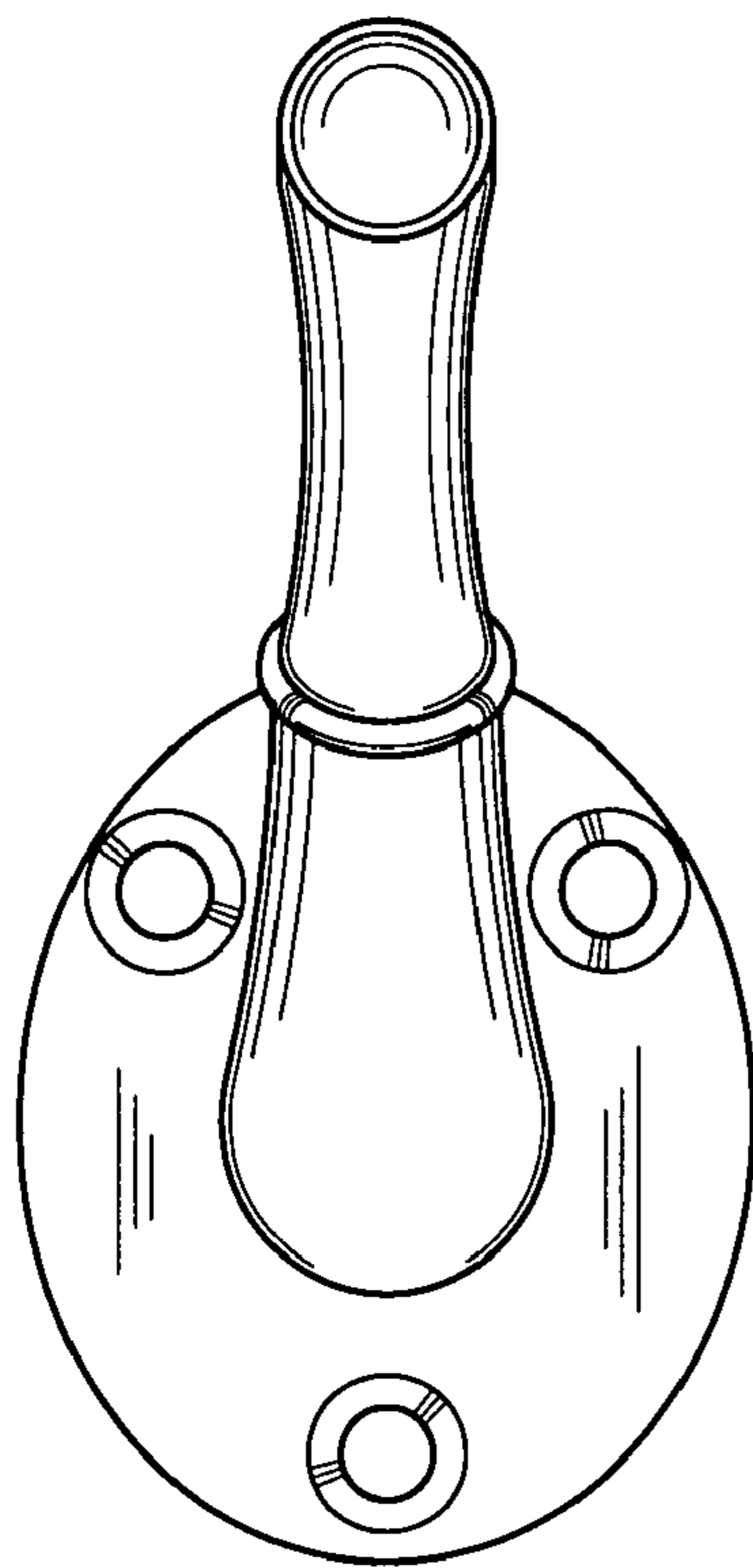


Fig-2

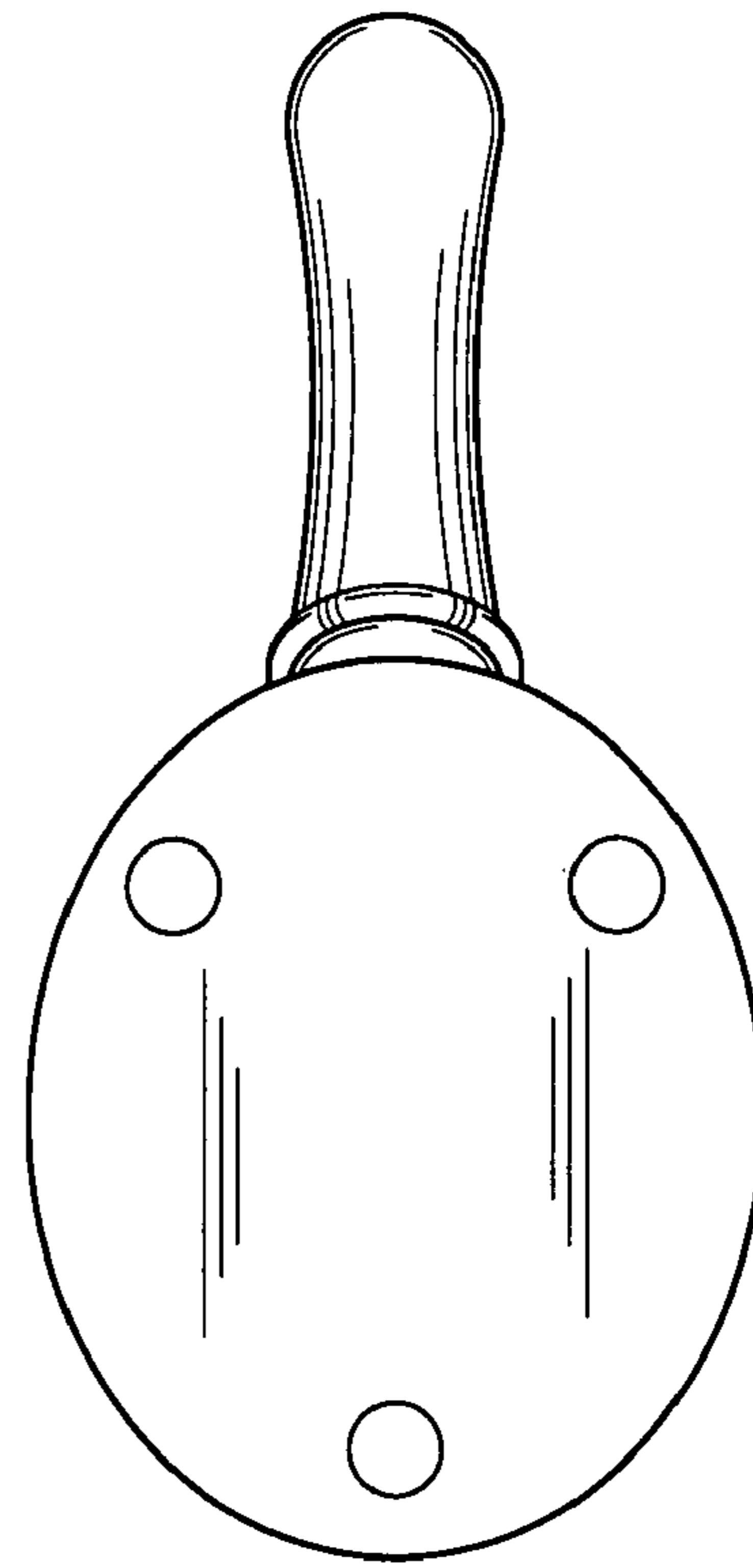


Fig-3

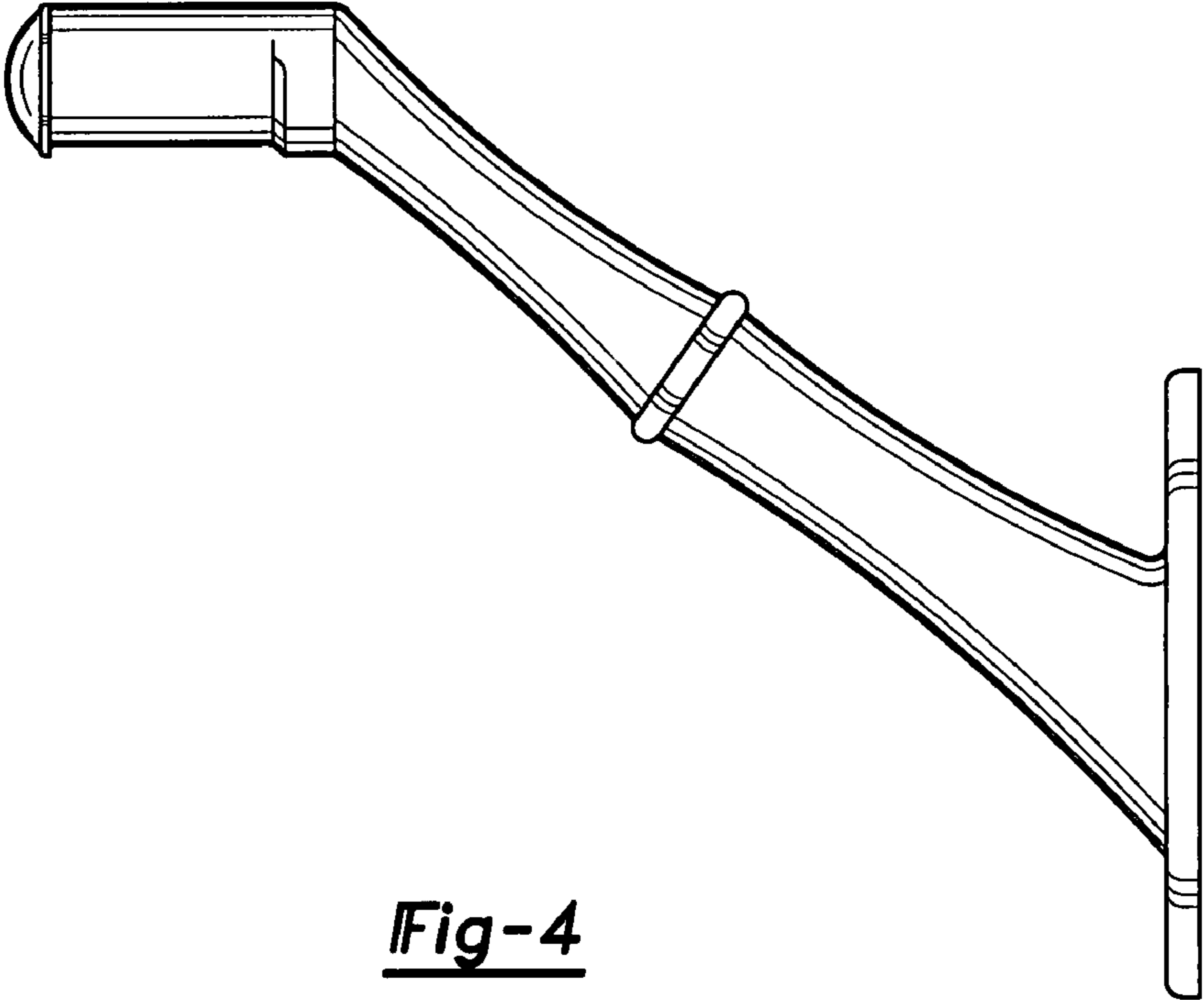


Fig-4

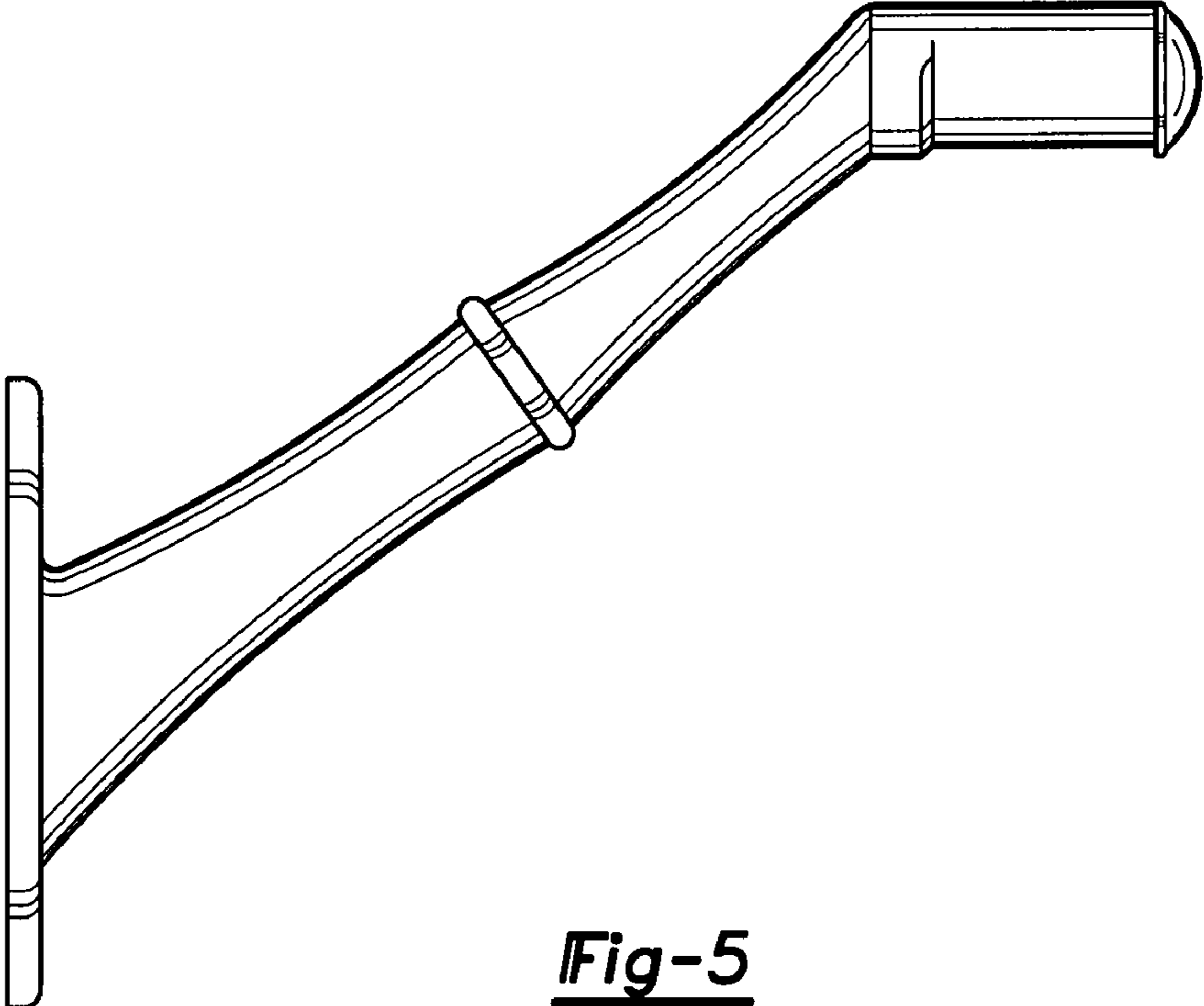


Fig-5

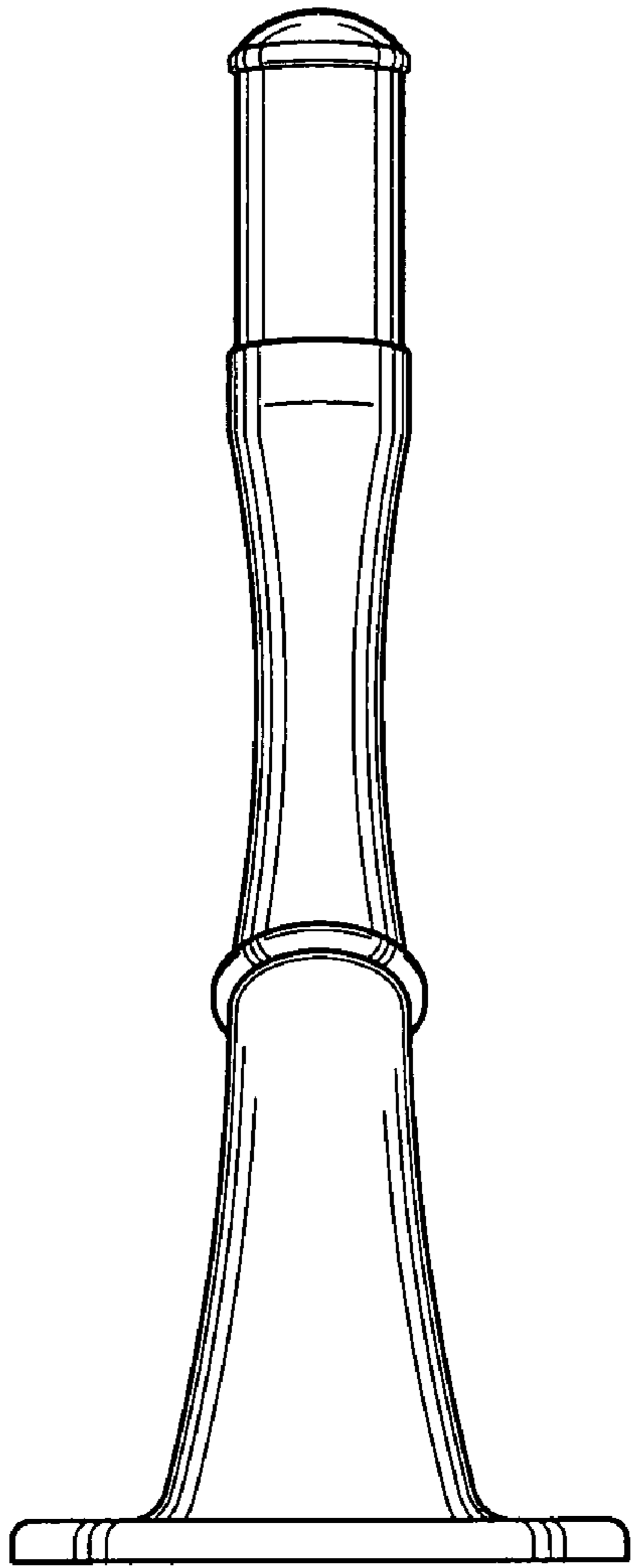


Fig-6

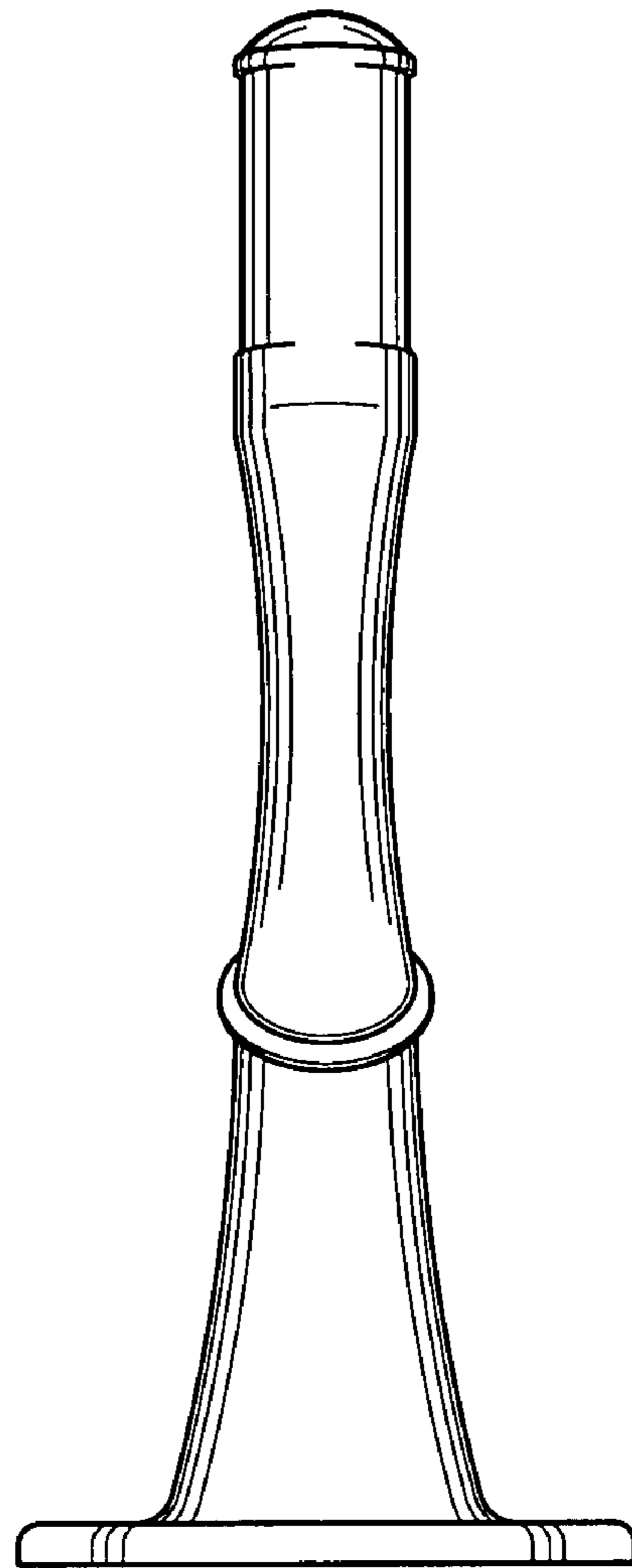


Fig-7