



US00D572572S

(12) **United States Design Patent**
Chang

(10) **Patent No.:** **US D572,572 S**

(45) **Date of Patent:** **** Jul. 8, 2008**

(54) **CABLE ORGANIZER**

(75) Inventor: **Ray Chang**, Hsichih (TW)

(73) Assignee: **Telebox Industries Corp.**, Taipei Hsien (TW)

(*) Notice: This patent is subject to a terminal disclaimer.

(**) Term: **14 Years**

(21) Appl. No.: **29/261,559**

(22) Filed: **Jun. 16, 2006**

(51) **LOC (8) Cl.** **08-05**

(52) **U.S. Cl.** **D8/356**

(58) **Field of Classification Search** D8/382,
D8/356, 354, 349, 105, 395, 394; 242/916,
242/600, 405.2, 405.1, 400.1, 177, 160.3,
242/159, 118; 439/501; 24/561; 248/214,
248/229.26, 316.7

See application file for complete search history.

(56) **References Cited**

U.S. PATENT DOCUMENTS

3,019,500	A *	2/1962	Duffin et al.	24/561
3,043,902	A *	7/1962	Klein	248/316.7
D207,057	S *	2/1967	Palmer	D8/356
3,521,332	A *	7/1970	Kramer	248/229.26
D229,743	S *	1/1974	Moore	D8/395
4,249,707	A *	2/1981	Jones	242/405.1

D275,174	S *	8/1984	Rolli	D8/356
D298,739	S *	11/1988	Richards, Jr.	D8/395
D323,972	S *	2/1992	Rowland	D8/394
D392,180	S *	3/1998	Bilow	D8/382
7,040,587	B2 *	5/2006	Thompson et al.	248/214

* cited by examiner

Primary Examiner—Robert M. Spear

Assistant Examiner—Susan Bennett Hattan

(74) *Attorney, Agent, or Firm*—Troxell Law Office, PLLC

(57) **CLAIM**

The ornamental design for cable organizer, as shown and described.

DESCRIPTION

FIG. 1 is a perspective view of a cable organizer showing my new design;

FIG. 2 is a front elevational view thereof;

FIG. 3 is a rear elevational view thereof;

FIG. 4 is a top plan view thereof;

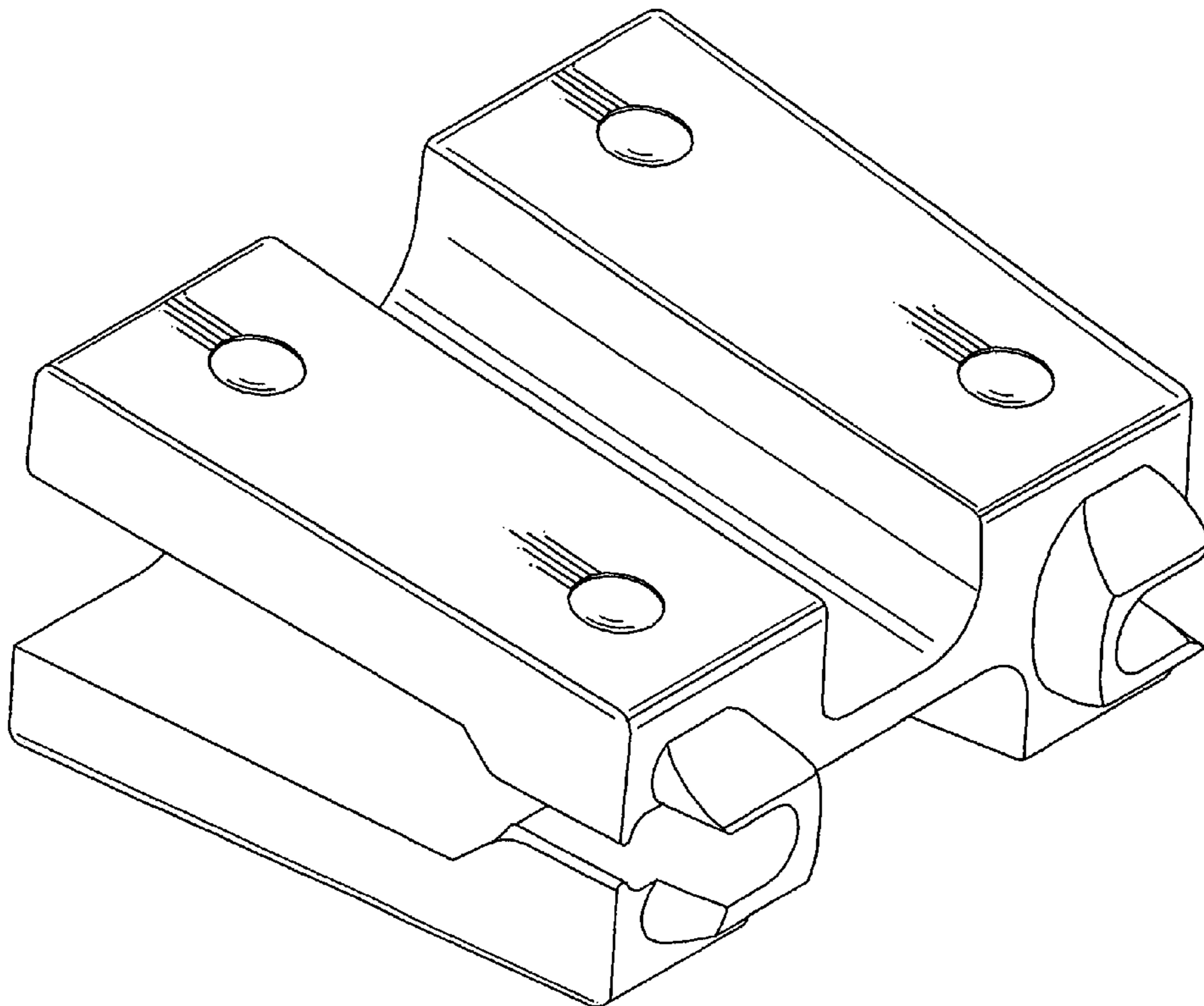
FIG. 5 is a bottom plan view thereof;

FIG. 6 is a left side elevational view thereof; the right side being a mirror image; and,

FIG. 7 illustrates the cable organizer used in a plug.

The broken lines in the drawings are for illustrative purposes only and form no part of the claimed design.

1 Claim, 7 Drawing Sheets



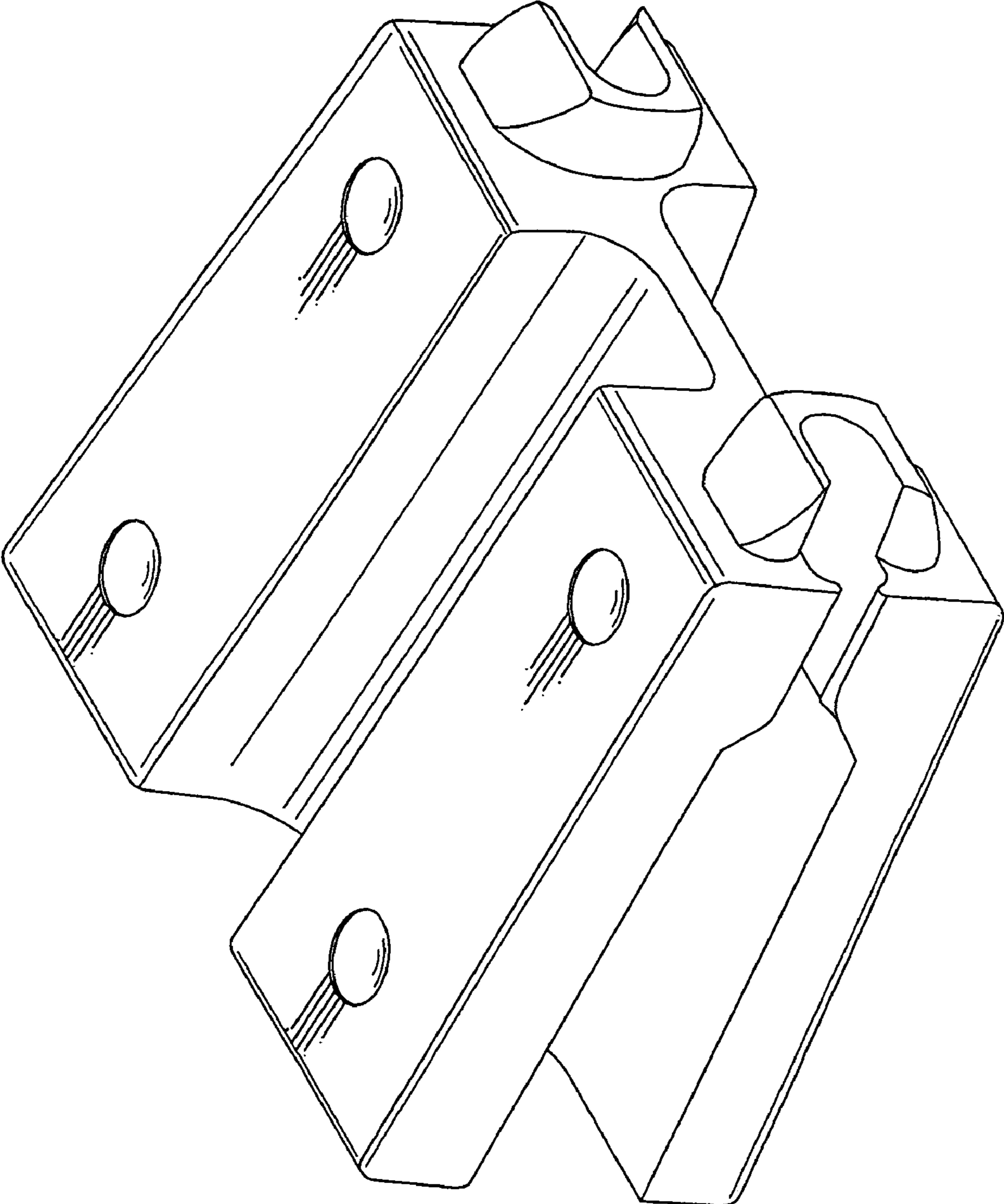


Fig. 1

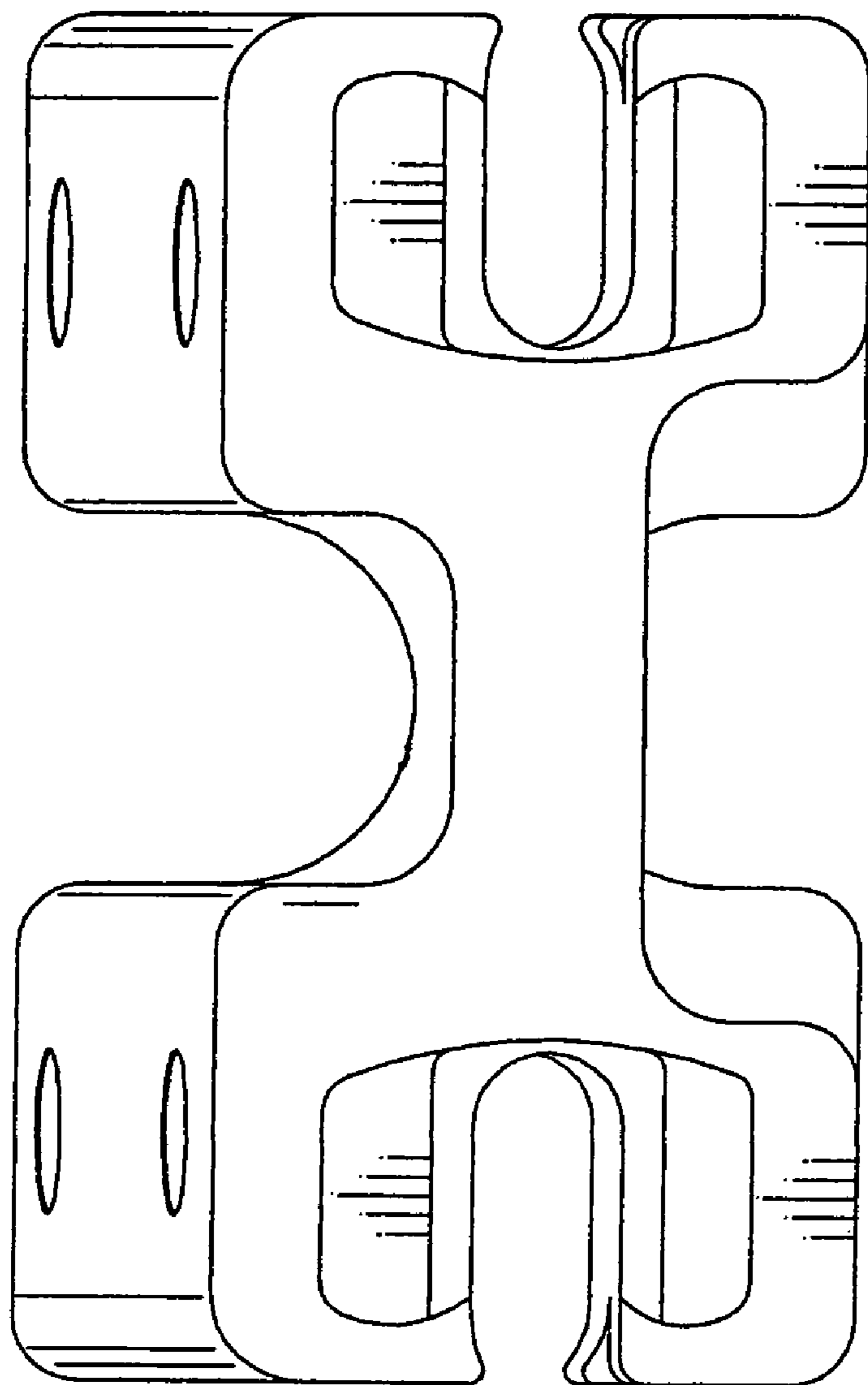


Fig. 2

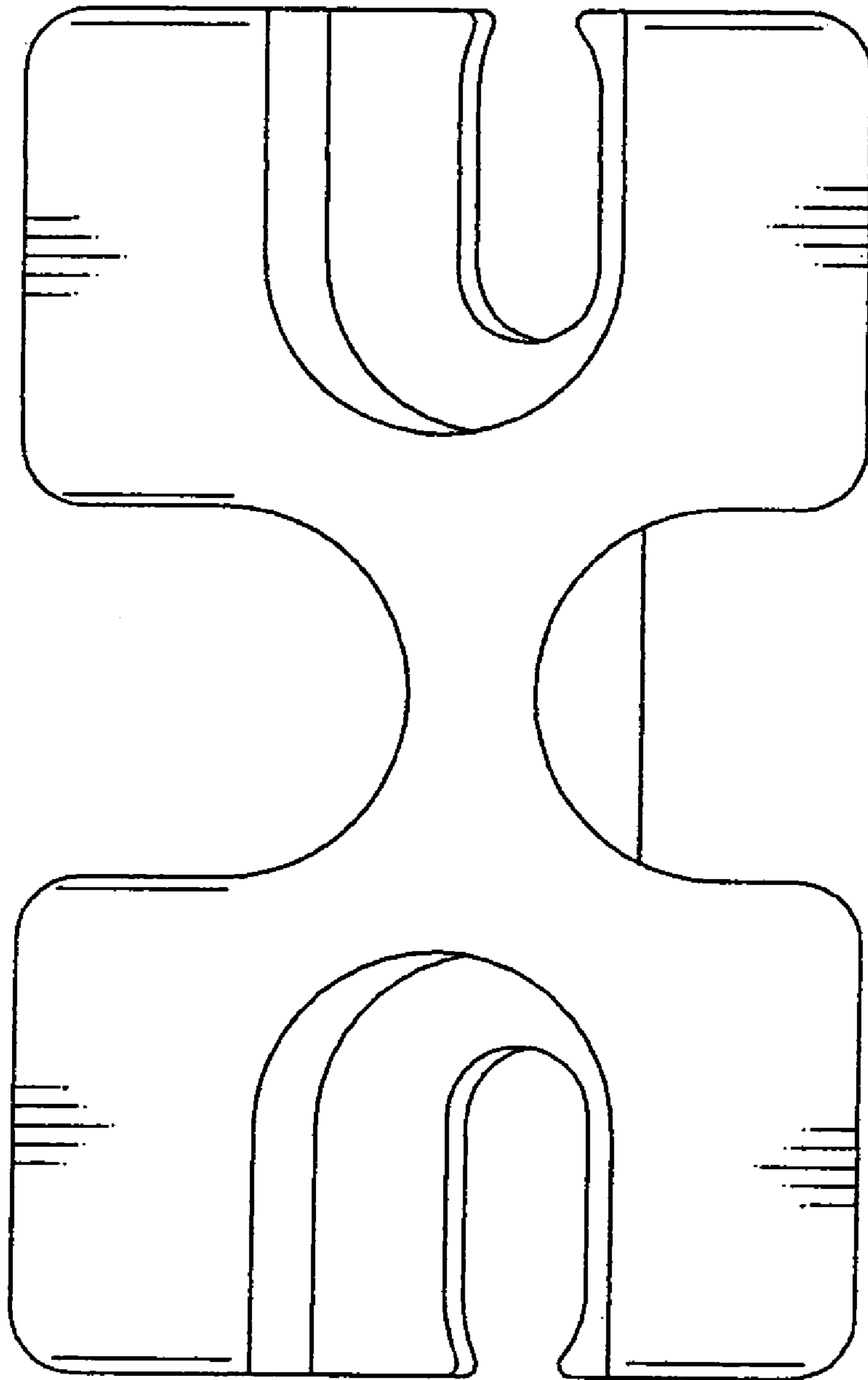


Fig. 3

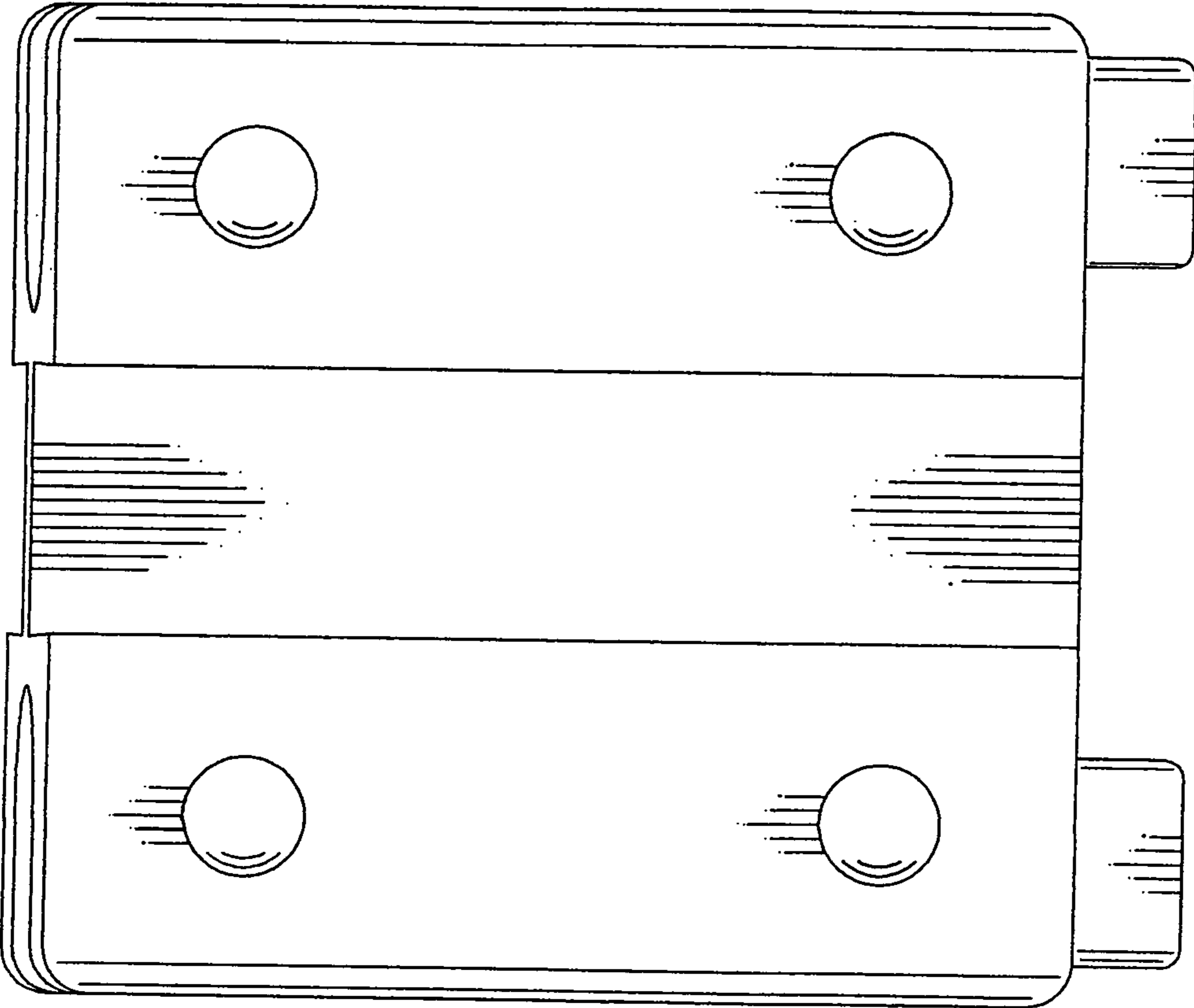


Fig. 4

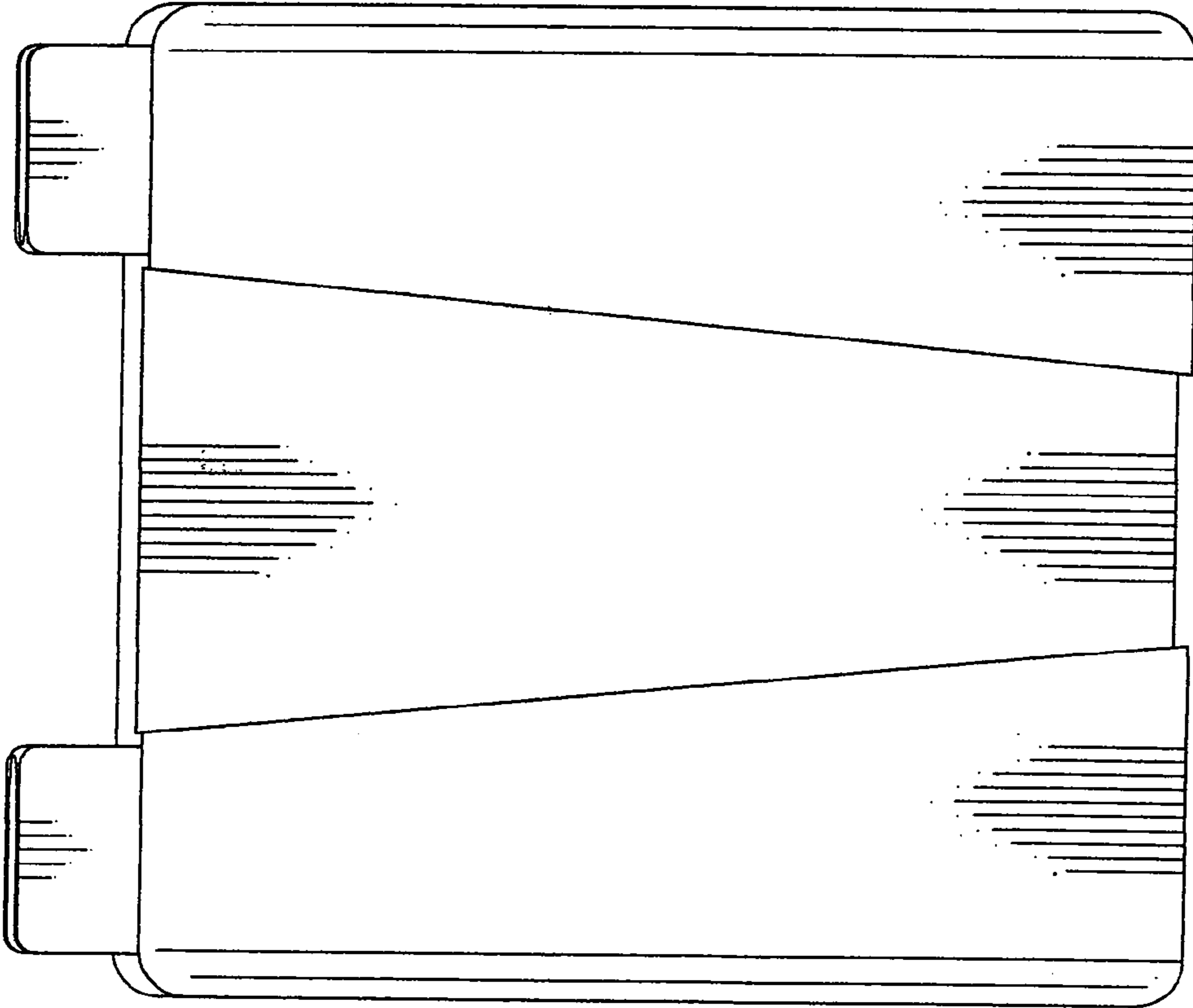


Fig. 5

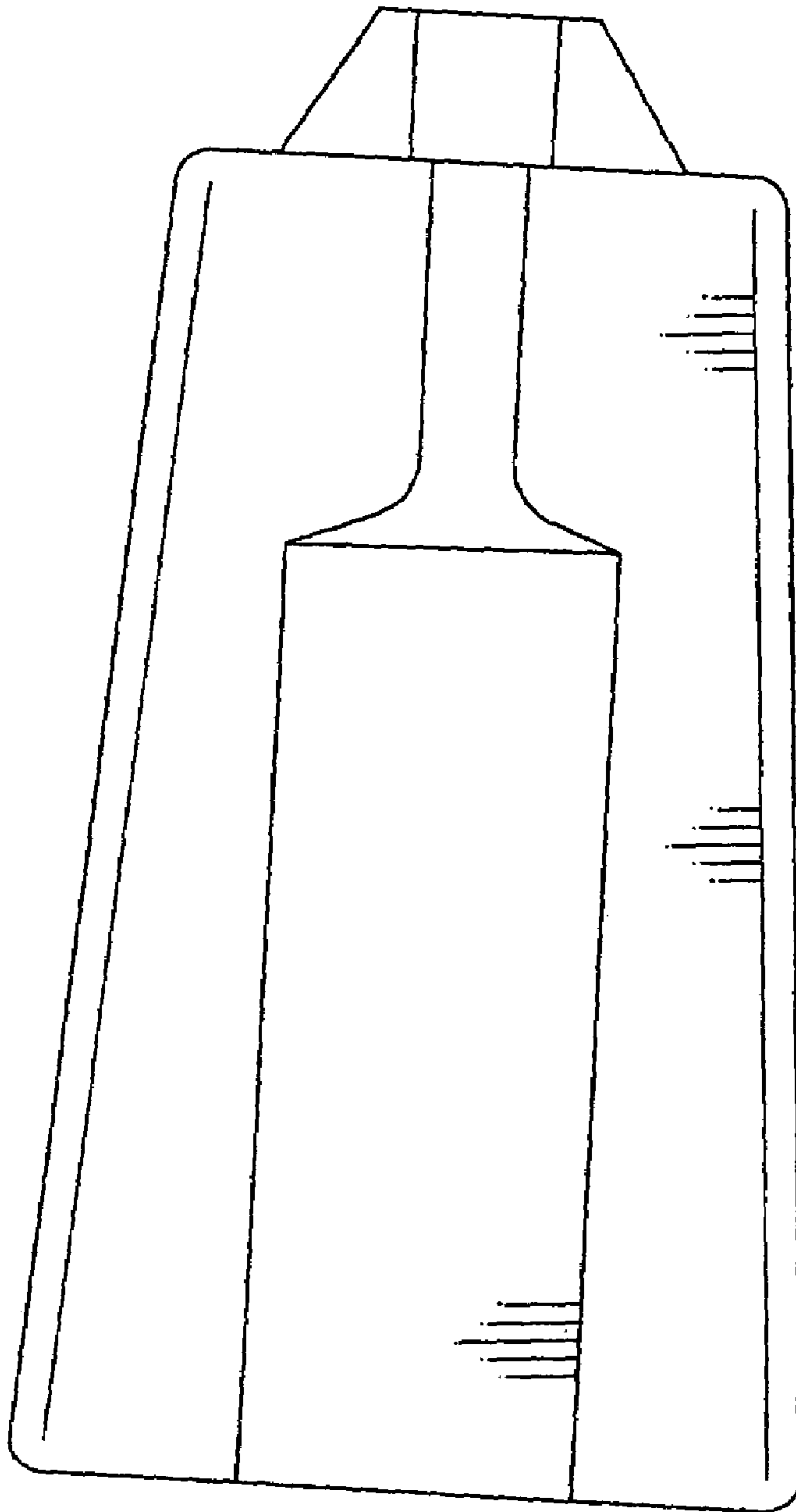


Fig. 6

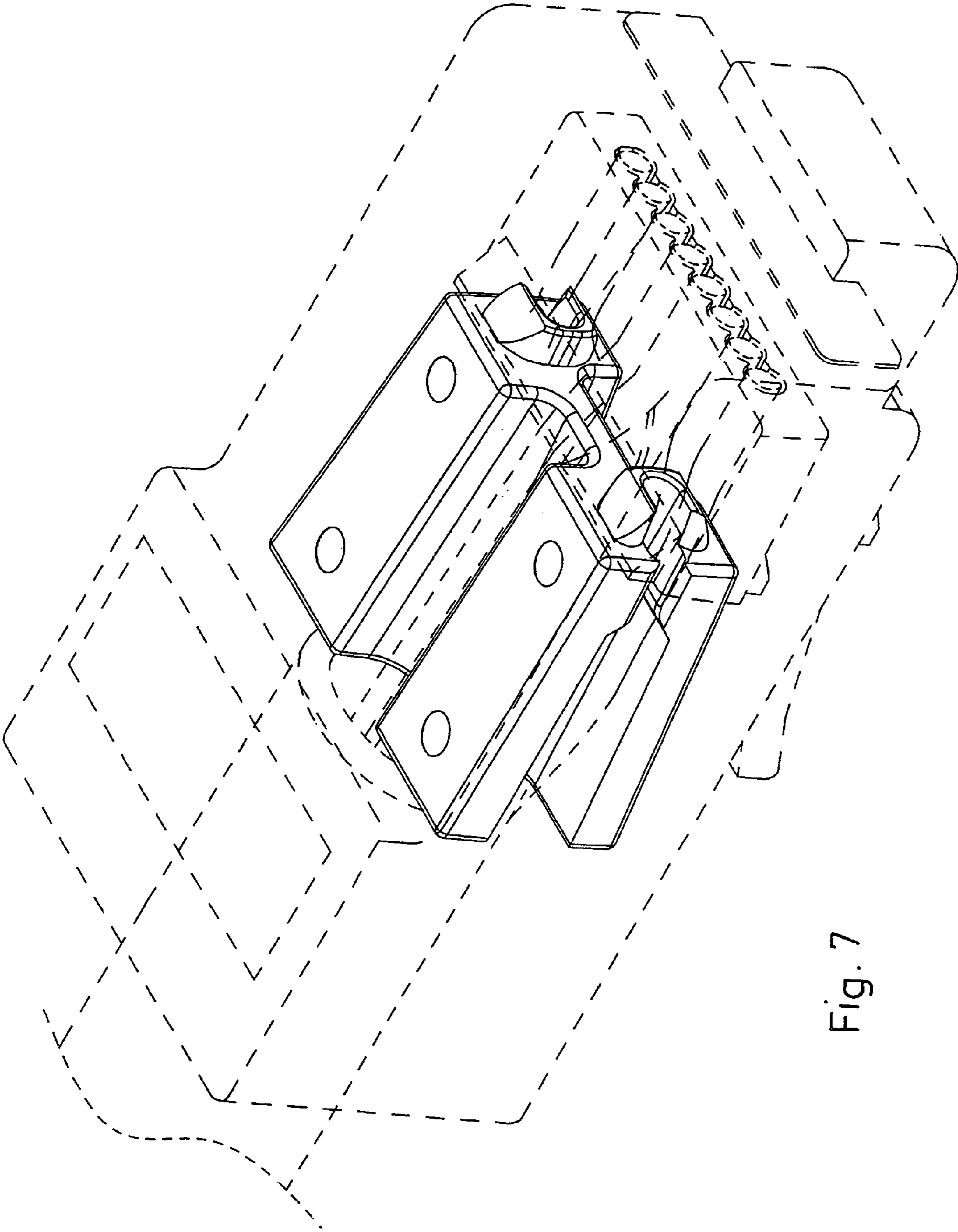


Fig. 7