



US00D572570S

(12) **United States Design Patent**
Terada et al.

(10) **Patent No.:** **US D572,570 S**
(45) **Date of Patent:** **** Jul. 8, 2008**

(54) **BASE FOR SUPPORT**

D305,543 S * 1/1990 Guillemette D15/140

(75) Inventors: **Naoki Terada**, Tokyo (JP); **Kouichi Wakasugi**, Tokyo (JP); **Kenichi Chiyoda**, Tokyo (JP); **Harunobu Saito**, Tokyo (JP); **Takashi Kunishita**, Tokyo (JP); **Hideki Tachikawa**, Tokyo (JP); **Kenichi Kobayashi**, Tokyo (JP)

* cited by examiner

Primary Examiner—Holly H Baynham
(74) *Attorney, Agent, or Firm*—Rader, Fishman & Grauer, PLLC

(73) Assignee: **Uchida Yoko Co., Ltd.**, Tokyo (JP)

(**) Term: **14 Years**

(57) **CLAIM**

The ornamental design for a base for support, as shown.

(21) Appl. No.: **29/259,546**

(22) Filed: **May 11, 2006**

DESCRIPTION

(30) **Foreign Application Priority Data**

Nov. 11, 2005 (JP) D2005-033469

FIG. 1 is a perspective view of a base for support showing our new design;

(51) **LOC (8) Cl.** **08-05**

FIG. 2 is a front elevational view thereof; the rear elevational view being a mirror image thereof;

(52) **U.S. Cl.** **D8/354**

(58) **Field of Classification Search** D8/354;
248/346.01, 346.04

FIG. 3 is a right side elevational view thereof, the left side elevational view being a mirror image thereof;

See application file for complete search history.

FIG. 4 is a top plan view thereof; and,

(56) **References Cited**

FIG. 5 is a bottom plan view thereof.

U.S. PATENT DOCUMENTS

D258,307 S * 2/1981 Adam et al. D23/386

1 Claim, 5 Drawing Sheets

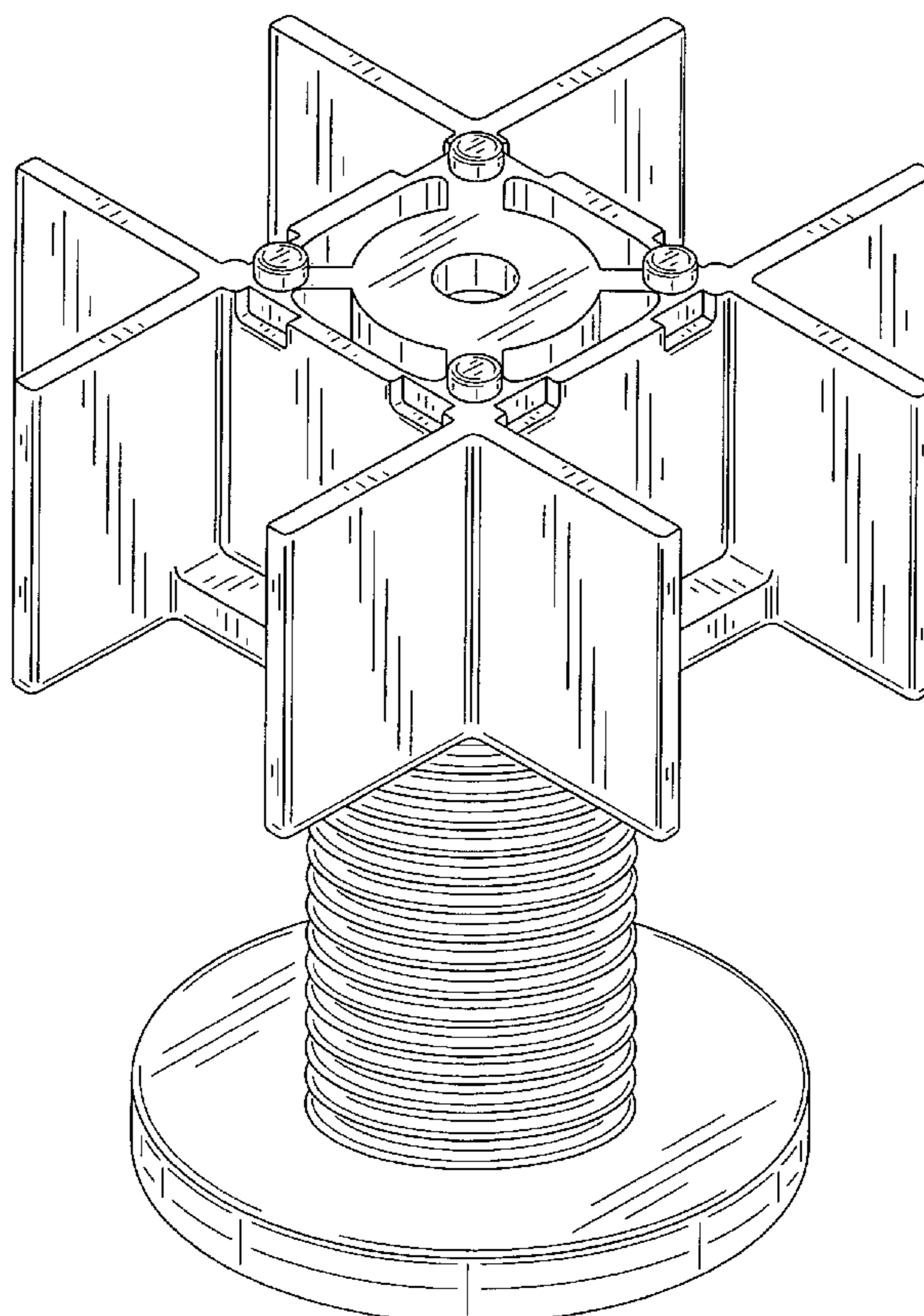


Fig. 1

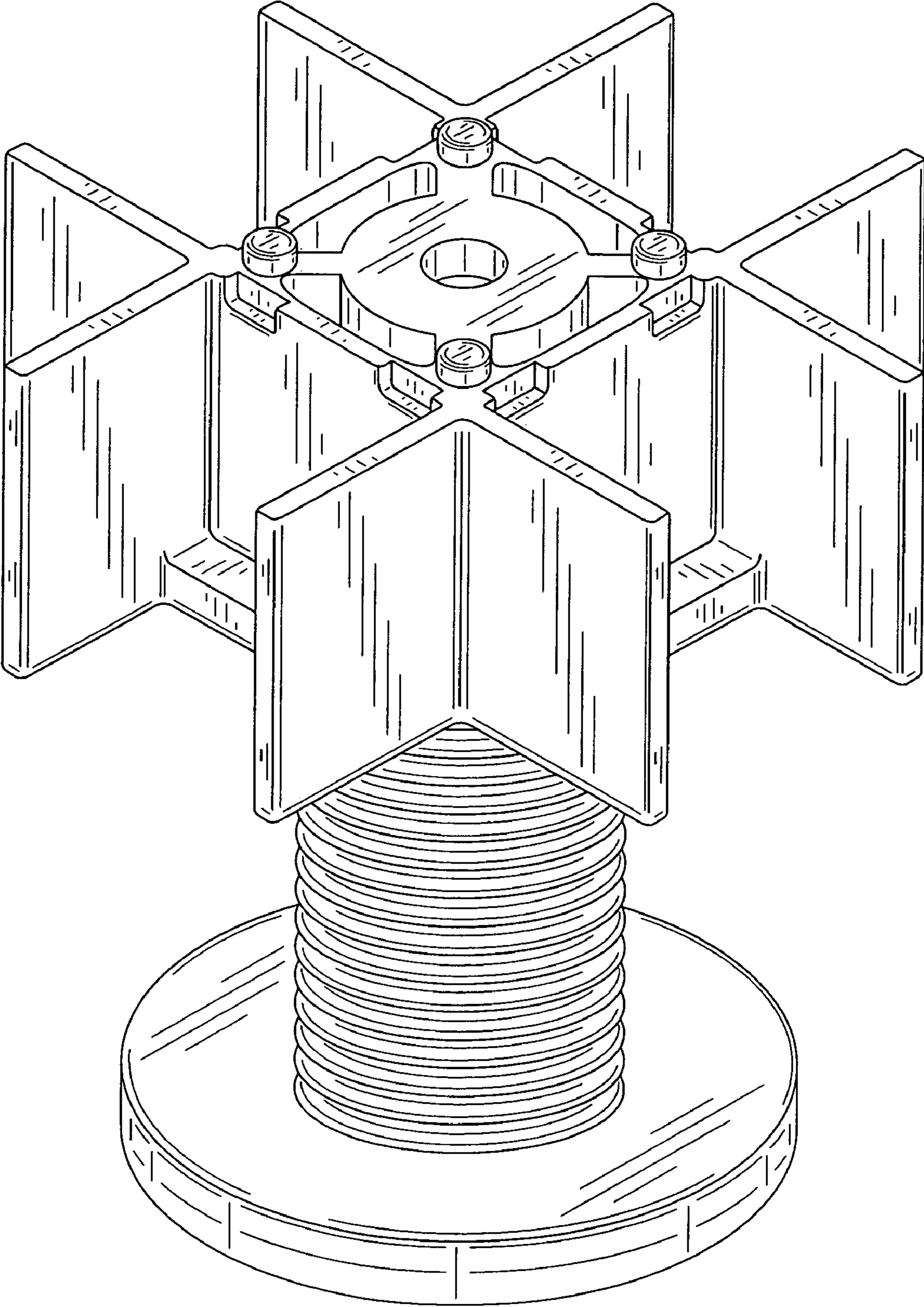


Fig.2

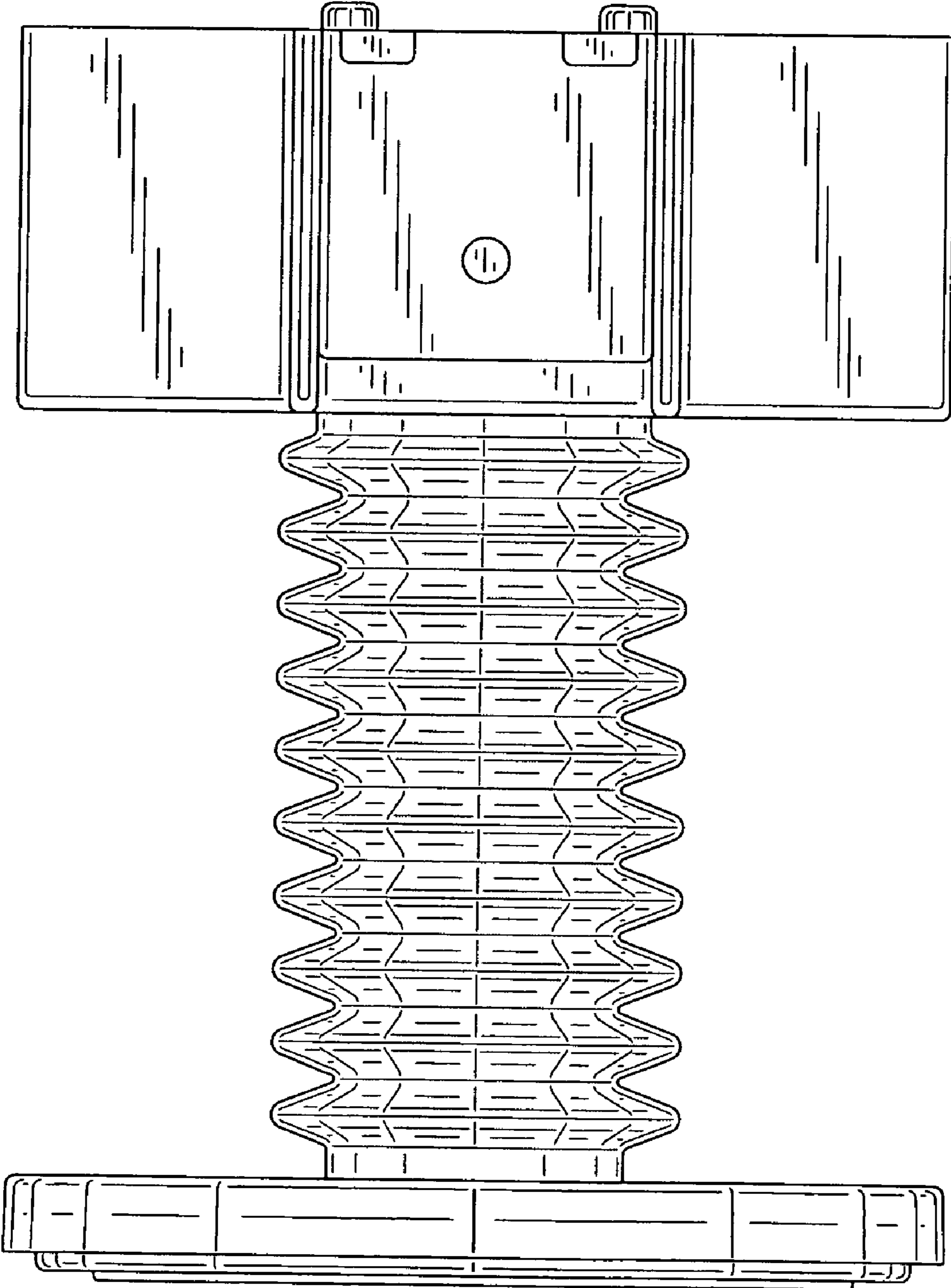


Fig.3

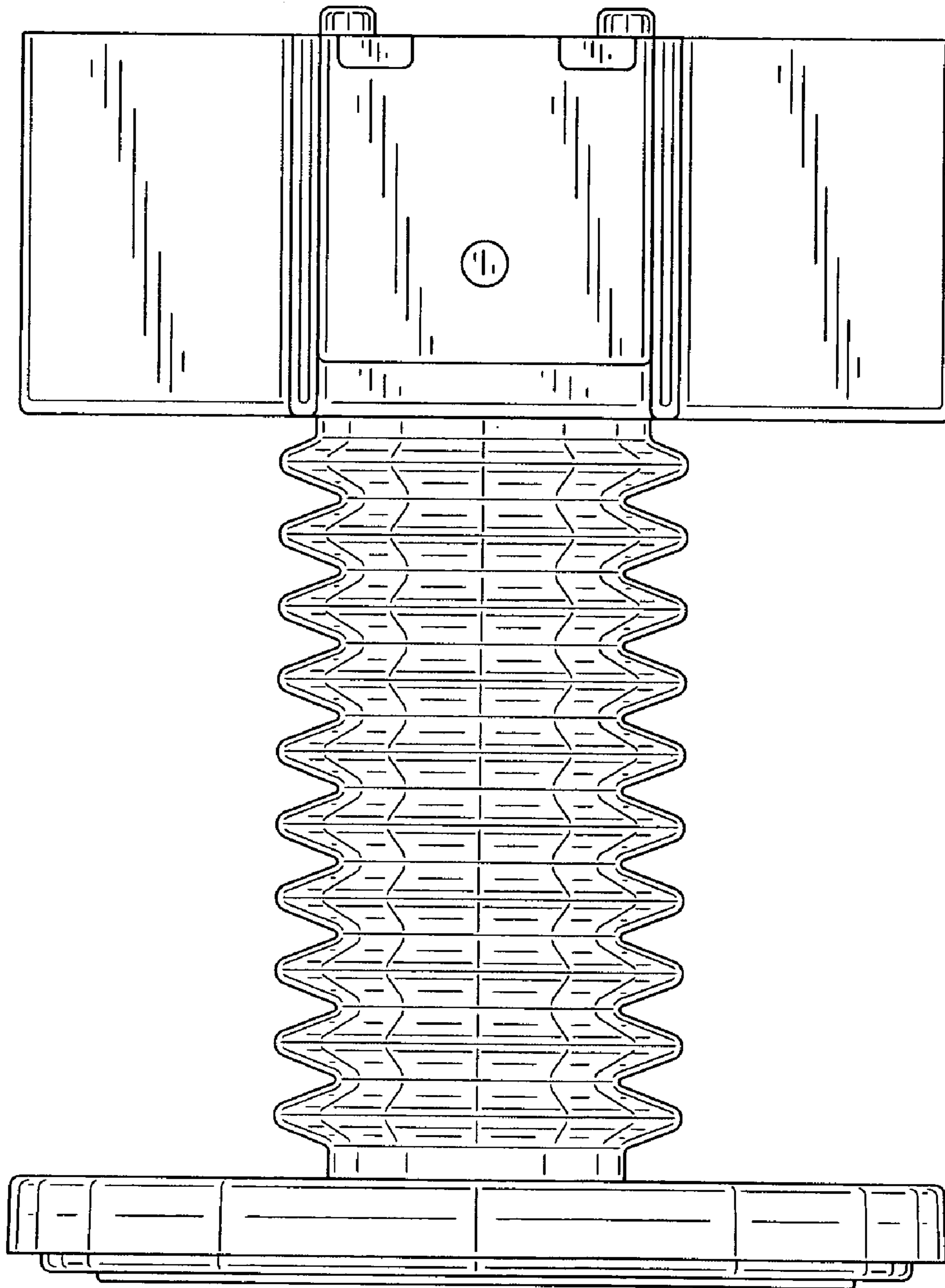


Fig.4

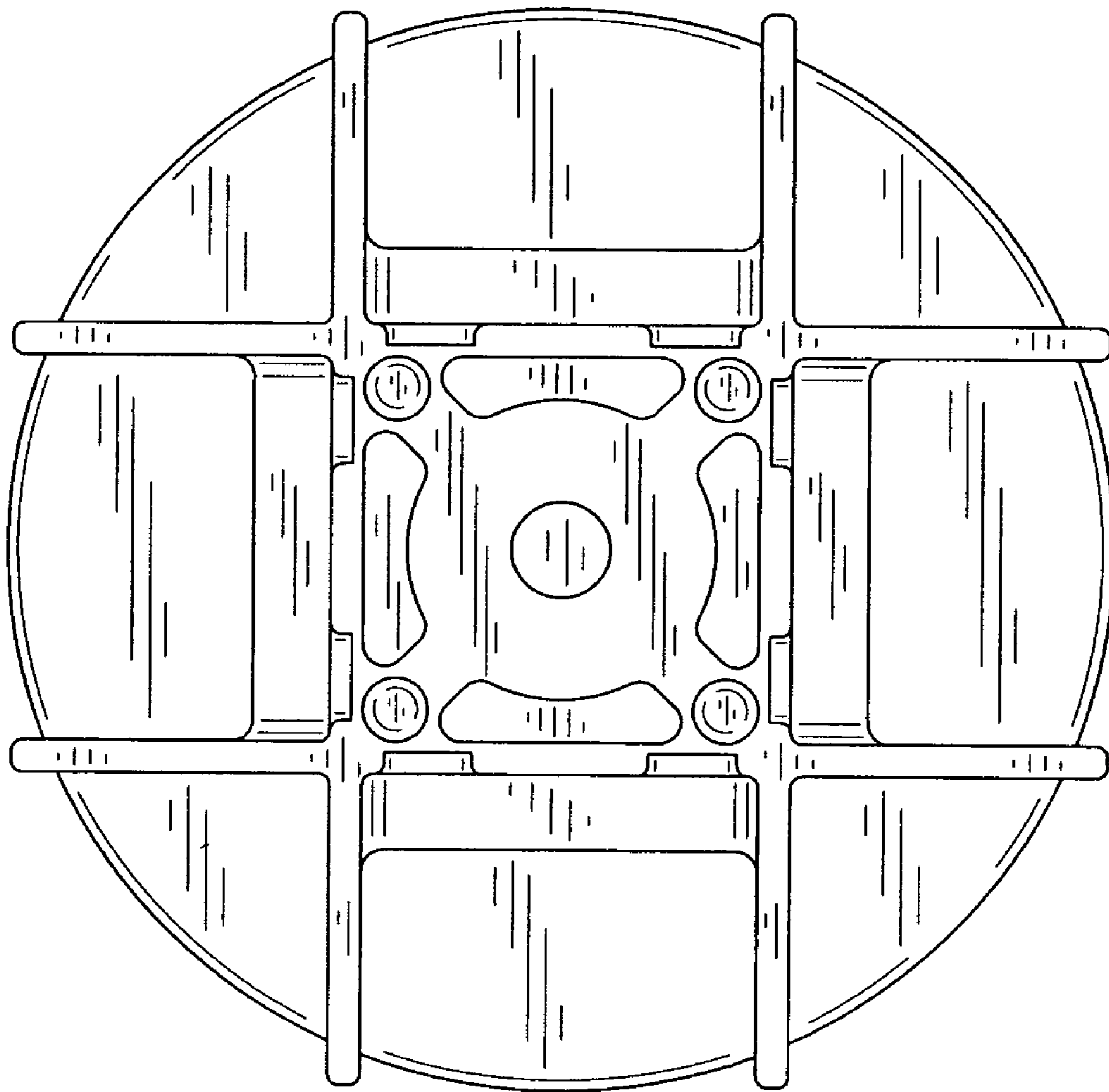


Fig.5

