



US00D572569S

(12) **United States Design Patent**  
**Magnesio et al.**

(10) **Patent No.:** **US D572,569 S**  
(45) **Date of Patent:** **\*\* Jul. 8, 2008**

(54) **ANCHOR BODY FOR CONCRETE CONSTRUCTION**

(75) Inventors: **Charles Magnesio**, Pittsfield, MA (US);  
**David S. Jablonsky**, Manchester, CT (US)

(73) Assignee: **JVI, Inc.**, Lincolnwood, IL (US)

(\*\*) Term: **14 Years**

(21) Appl. No.: **29/249,646**

(22) Filed: **Oct. 16, 2006**

(51) **LOC (8) Cl.** ..... **08-05**

(52) **U.S. Cl.** ..... **D8/354**

(58) **Field of Classification Search** ..... D8/349,  
D8/354, 397; 52/235, 710, 677, 296  
See application file for complete search history.

(56) **References Cited**

**U.S. PATENT DOCUMENTS**

D406,524 S \* 3/1999 Steenson et al. .... D8/397

**OTHER PUBLICATIONS**

PSA catalog, slotted insert located on cover page, Oct. 2004.\*

\* cited by examiner

*Primary Examiner*—Holly H Baynham

(74) *Attorney, Agent, or Firm*—Sonnenschein Nath & Rosenthal LLP; Brian R. McGinley

(57) **CLAIM**

The ornamental design for a anchor body for concrete construction, as shown and described.

**DESCRIPTION**

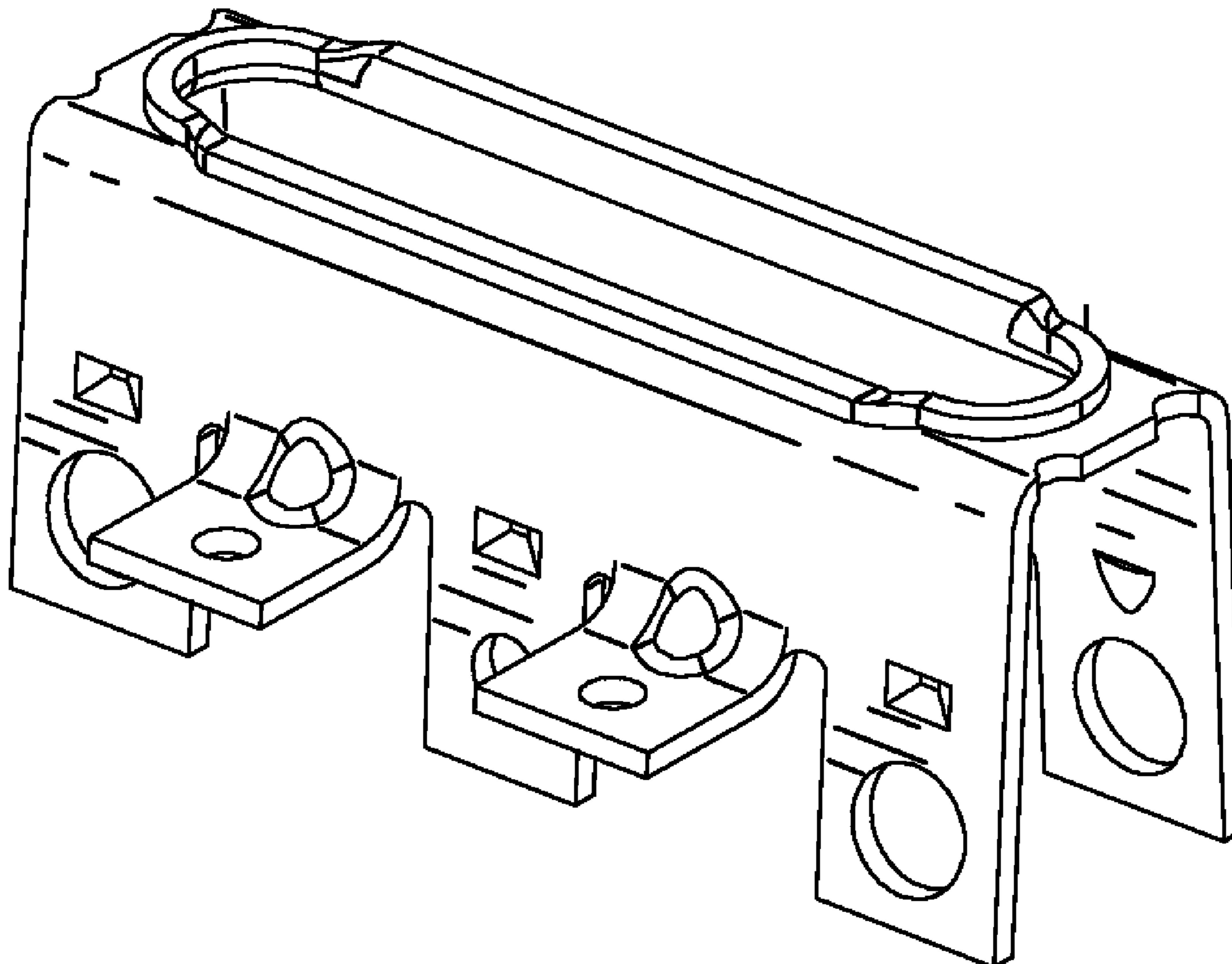
FIG. 1 is a perspective view of a anchor body for concrete construction showing the new design;

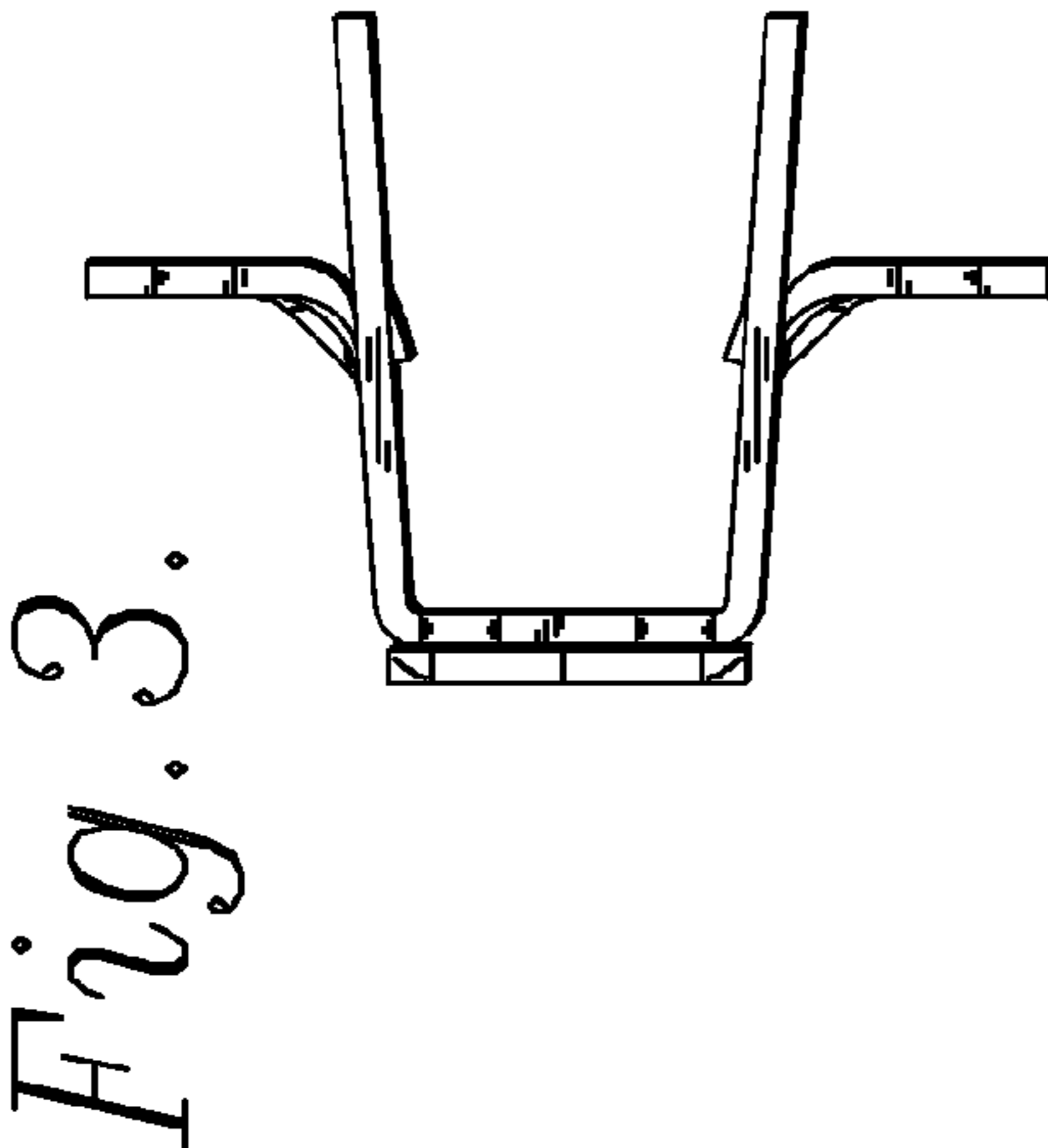
FIG. 2 is a top view of the anchor body for concrete construction shown in FIG. 1;

FIG. 3 is a end view of the anchor body for concrete construction shown in FIG. 1; and,

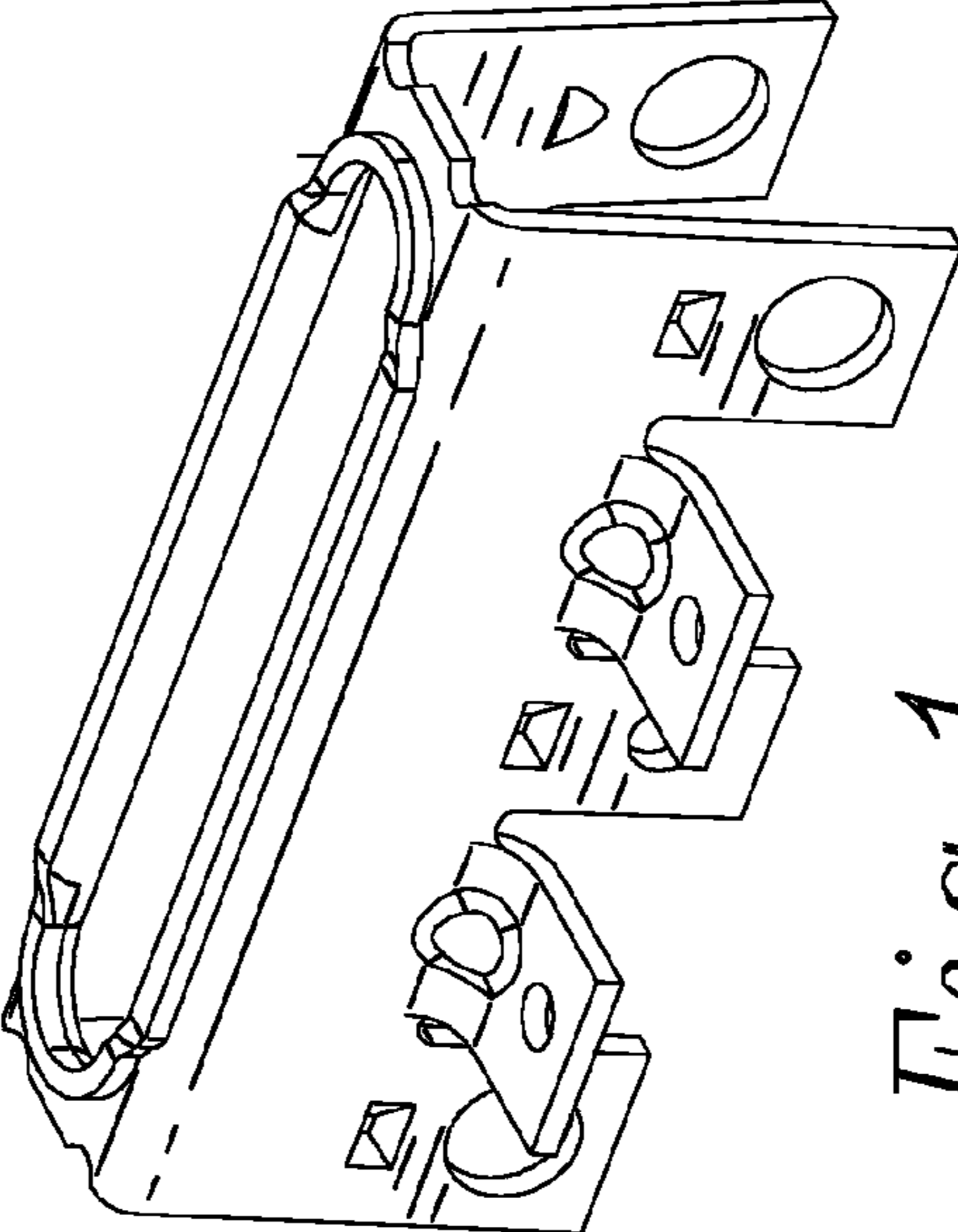
FIG. 4 is a front view of the anchor body for concrete construction shown in FIG. 1.

**1 Claim, 1 Drawing Sheet**

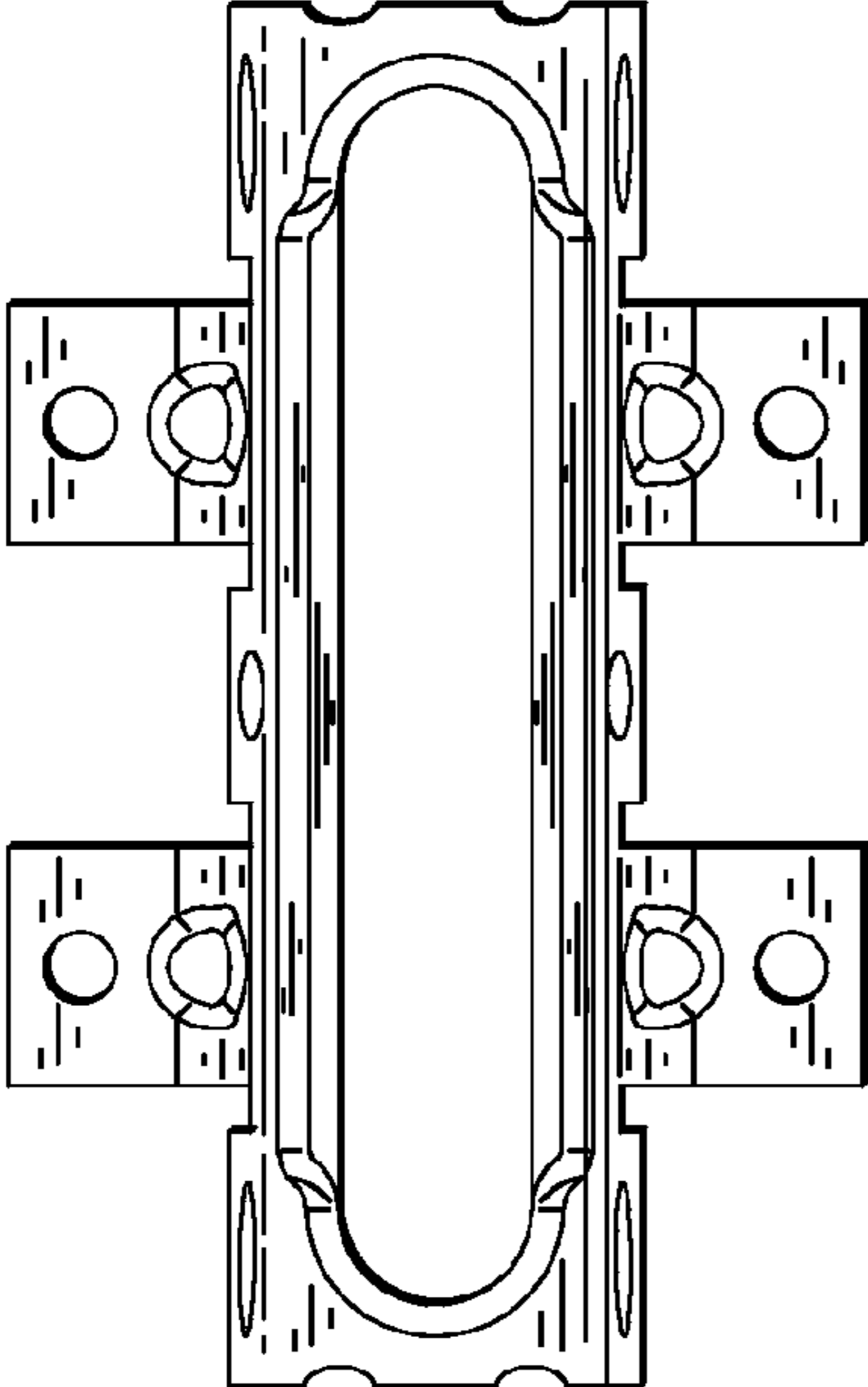




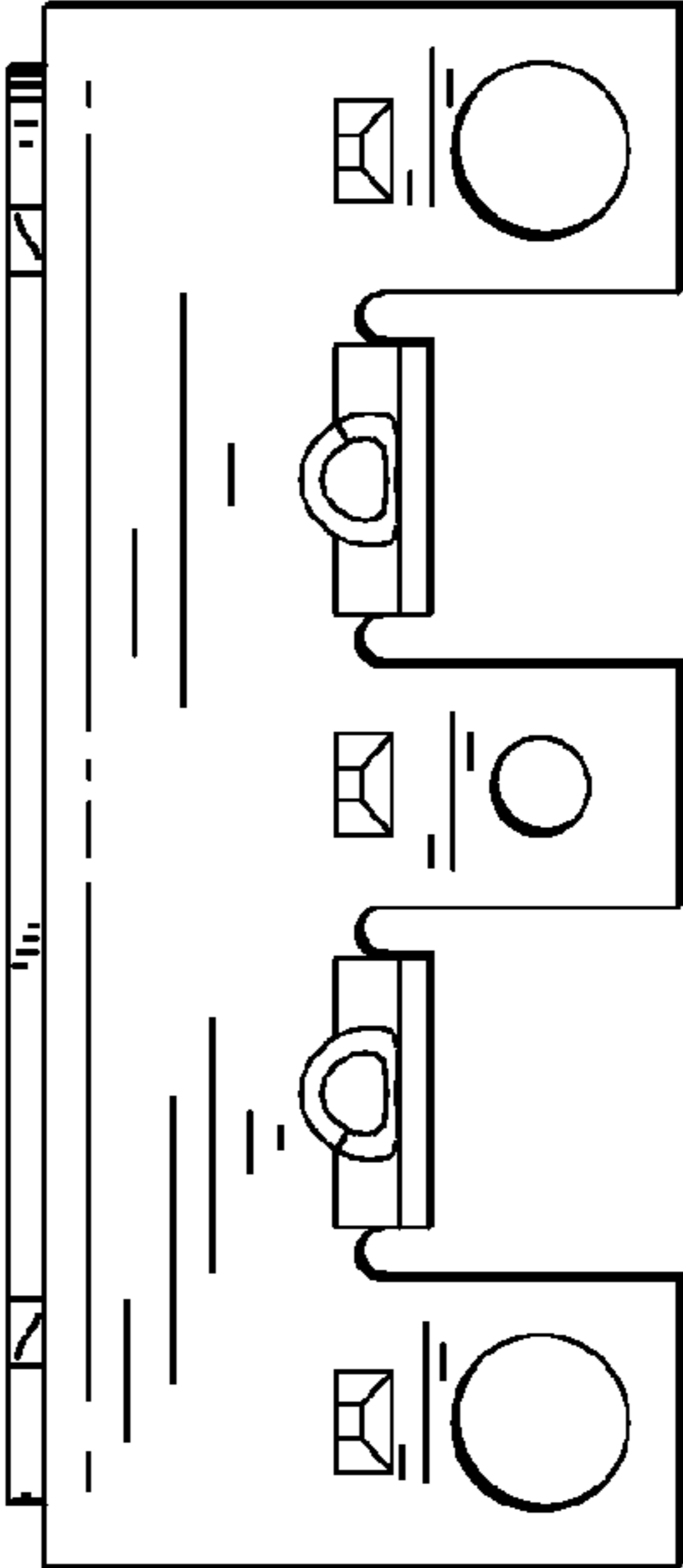
*Fig. 3.*



*Fig. 1.*



*Fig. 2.*



*Fig. 4.*